



US00D737797S

(12) **United States Design Patent**
Roggenkamp

(10) **Patent No.:** **US D737,797 S**
(45) **Date of Patent:** **** Sep. 1, 2015**

(54) **ORGANIZER FOR A LISTENING DEVICE**

(71) Applicant: **Kelly D. Roggenkamp**, Georgetown, IN (US)

(72) Inventor: **Kelly D. Roggenkamp**, Georgetown, IN (US)

(**) Term: **14 Years**

(21) Appl. No.: **29/498,893**

(22) Filed: **Aug. 8, 2014**

(51) **LOC (10) Cl.** **14-01**

(52) **U.S. Cl.**
USPC **D14/205**

(58) **Field of Classification Search**
USPC D14/205; 381/370, 384; D3/24; 36/136, 36/54; D20/22; 40/561, 622; 24/115 R, 24/129 B, 129 R, 130, 712.9, 712.1; D6/580; 446/220; 206/389; 43/57.2, 43/54.1; D22/134
CPC H04R 1/1033
See application file for complete search history.

(56) **References Cited**

U.S. PATENT DOCUMENTS

64,088	A *	4/1867	Fay	
255,752	A *	4/1882	Abbott et al.	104/200
1,622,324	A *	3/1927	Lettre	24/129 B
2,016,181	A *	10/1935	Sharp	242/587.2
2,292,140	A *	8/1942	Lofgren	24/130
2,305,688	A *	12/1942	Goddard	174/33
D136,783	S *	12/1943	Le Veck	D8/358
2,470,212	A *	5/1949	Carlson	242/405.1
2,480,389	A *	8/1949	Sterling	248/353
2,772,056	A *	11/1956	Geisinger et al.	242/405.1
2,871,537	A *	2/1959	Hickerson	24/712.2
2,995,790	A *	8/1961	Holton	24/129 B
3,161,723	A *	12/1964	Flower et al.	174/146
3,270,874	A *	9/1966	Hilton	206/343
3,409,014	A *	11/1968	Shannon	606/148
D231,327	S	4/1974	Schultz	
D289,008	S *	3/1987	Hamel	D8/356

D308,006	S *	5/1990	Robbins	D8/14
D332,046	S *	12/1992	Isett	D8/349
D357,399	S *	4/1995	Miller	D8/354
D359,229	S *	6/1995	Jules	D8/395
D488,372	S	4/2004	Gambrell	
D509,725	S *	9/2005	Watson	D8/395
D514,923	S *	2/2006	Brown	D8/354
D576,867	S	9/2008	Kretz	
D600,673	S	9/2009	Kim et al.	

(Continued)

Primary Examiner — Paula Greene

(74) *Attorney, Agent, or Firm* — Middleton Reutlinger; Robert H. Eichenberger; Chad D. Bruggeman

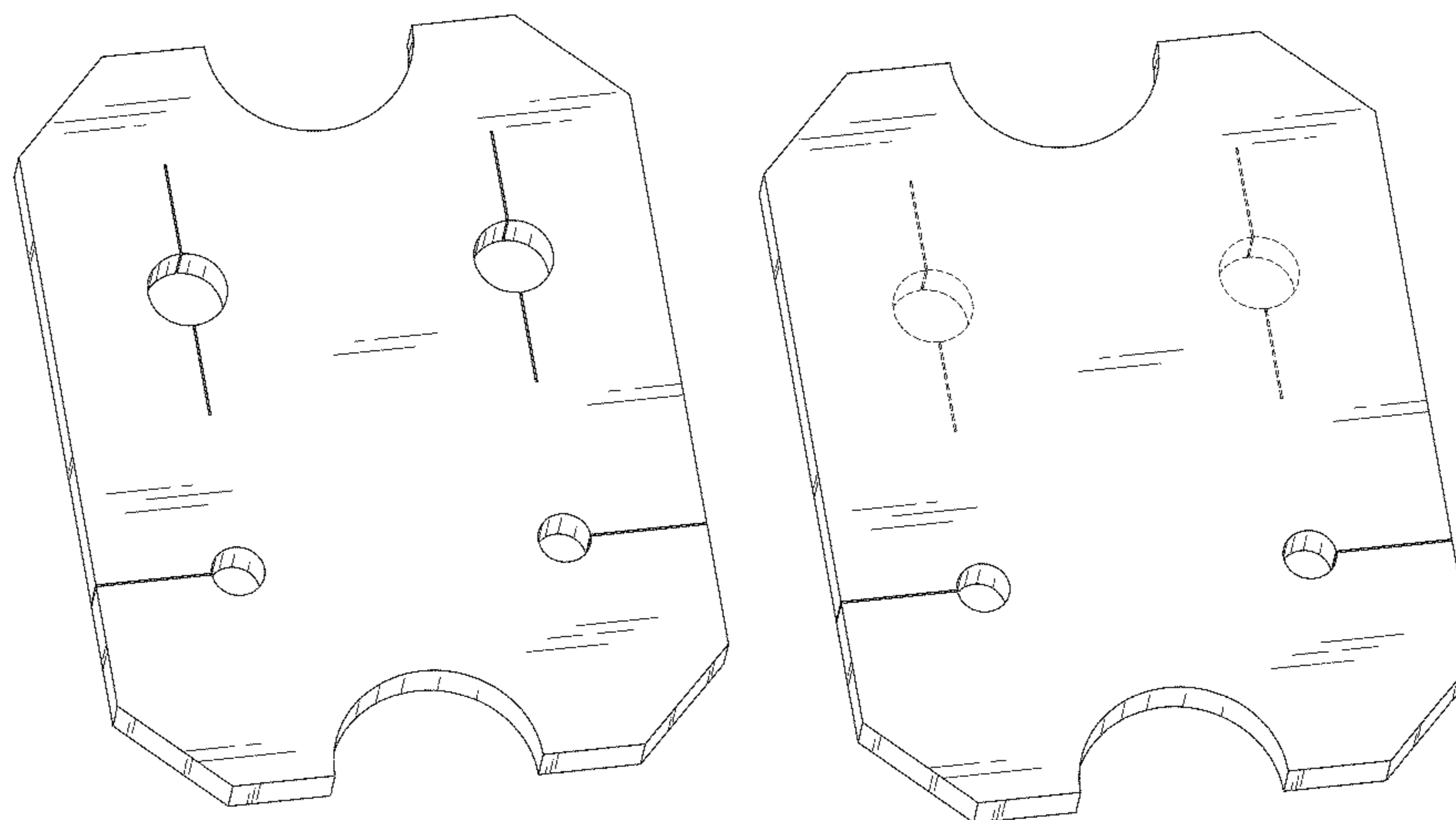
(57) **CLAIM**

The ornamental design for an organizer for a listening device, substantially as shown and described.

DESCRIPTION

FIG. 1 is a front perspective view of the organizer;
 FIG. 2 is a top or bottom view of the organizer according to FIG. 1, the two views being identical;
 FIG. 3 is a front or back view of the organizer according to FIG. 1, the two views being identical;
 FIG. 4 is a left or right side view of the organizer according to FIG. 1, the two views being identical;
 FIG. 5 is a front perspective view of the organizer according to FIG. 1 shown with exemplary environment such as, but not limited to, a listening device and associated wire;
 FIG. 6 is a front perspective view of an alternative organizer; and,
 FIG. 7 is a front or back view of the organizer according to FIG. 6, the two views being identical. It is to be understood that the top or bottom view of the organizer according to FIG. 6 would be identical to the view shown in FIG. 2. It is also to be understood that the left or right side view of the organizer according to FIG. 6 would be identical to the view shown in FIG. 4.
 Portions of the organizer for a listening device and any exemplary environment shown in broken lines are for illustrative purposes only and form no part of the claimed design.

1 Claim, 5 Drawing Sheets



(56)

References Cited

U.S. PATENT DOCUMENTS

D603,376 S	*	11/2009	Blasko	D14/223	D685,344 S		7/2013	Merces	
D667,719 S	*	9/2012	Wong	D8/356	D691,581 S		10/2013	Merces et al.	
D676,021 S		2/2013	Stevinson		8,668,147 B2		3/2014	Jackson	
D682,807 S	*	5/2013	Stevinson	D14/205	D712,372 S	*	9/2014	Rajski	D14/205
					2011/0317865 A1	*	12/2011	Stevinson	381/384
					2013/0168478 A1		7/2013	Holman	

* cited by examiner

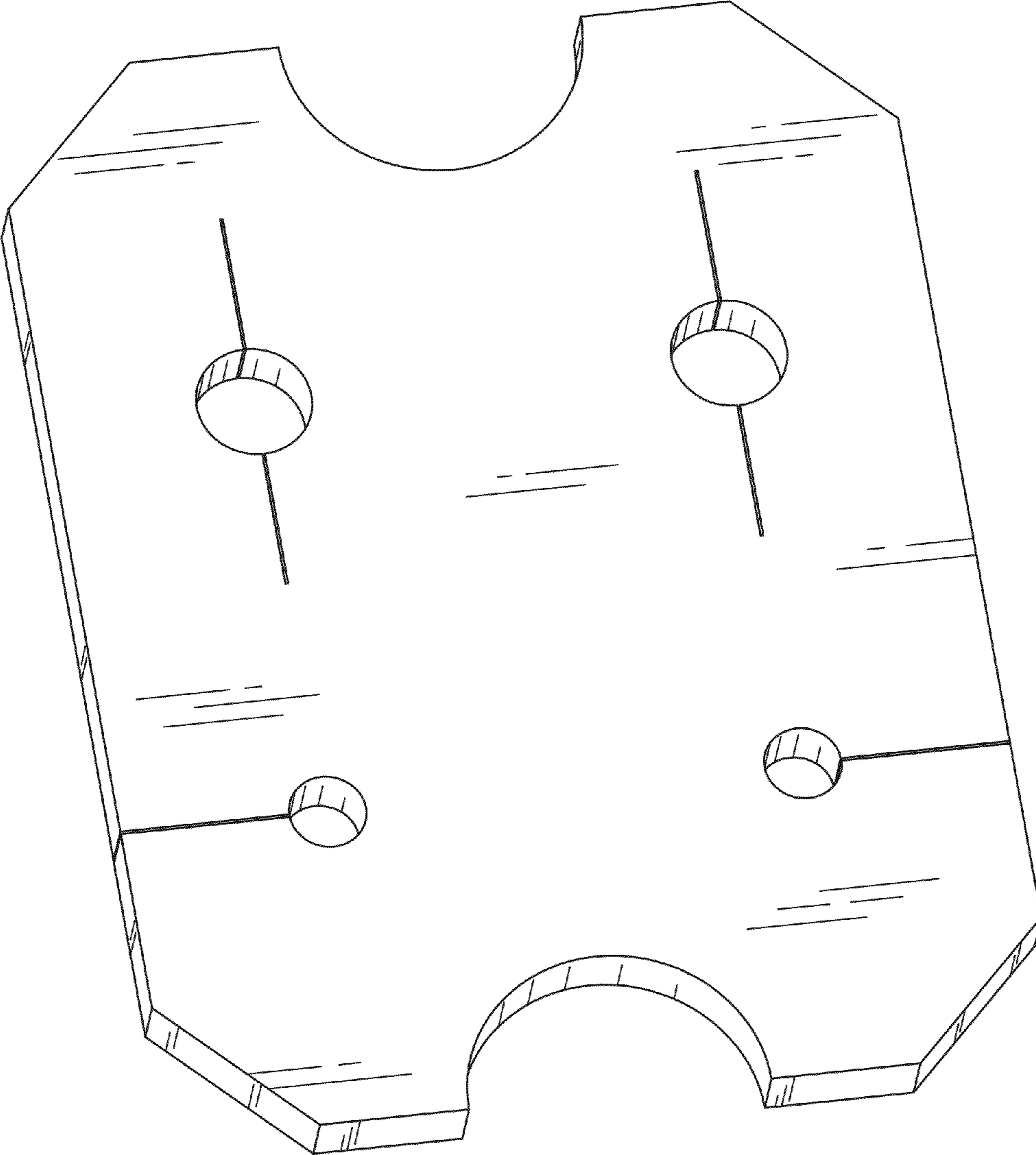


FIG. 1



FIG. 2

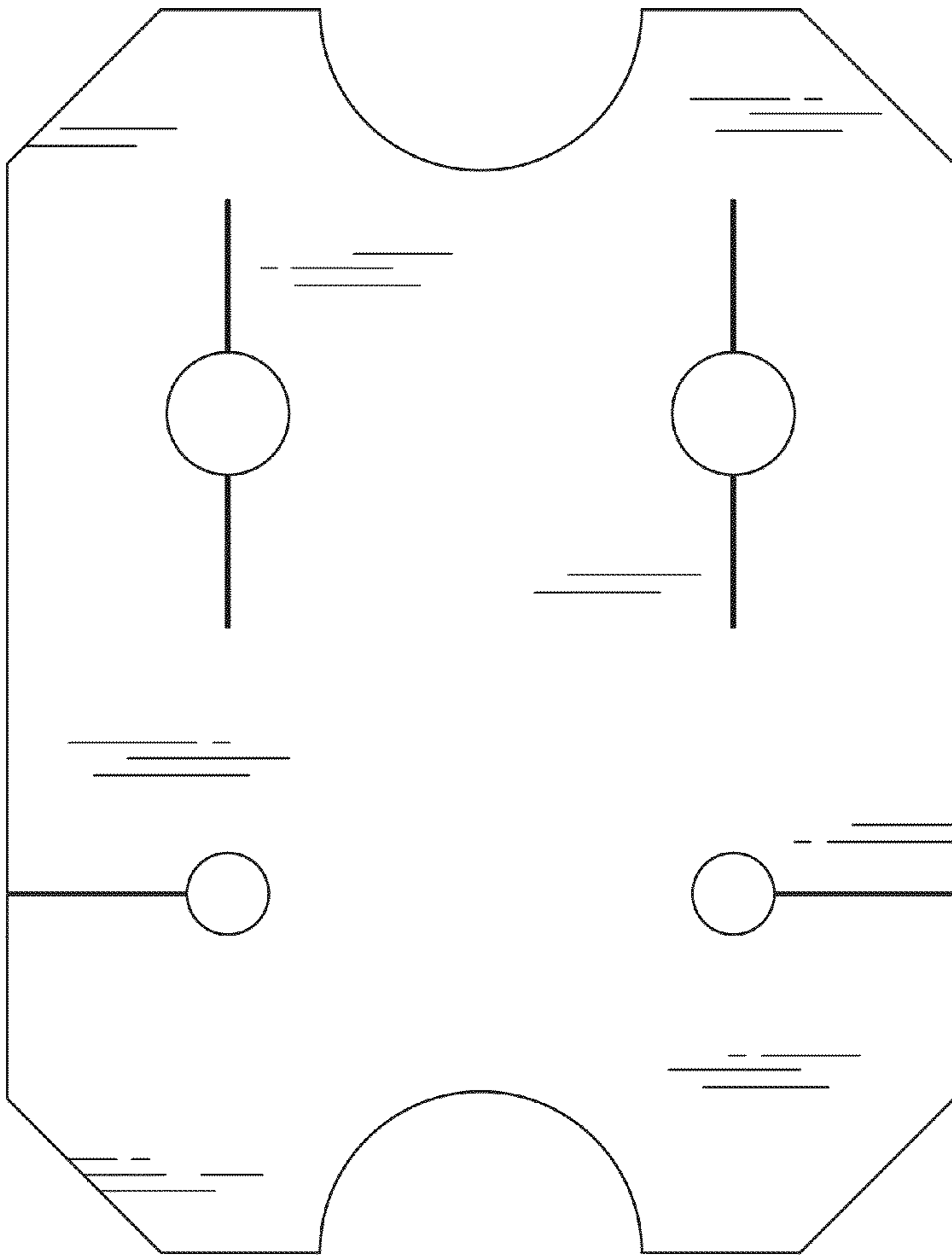


FIG. 3



FIG. 4

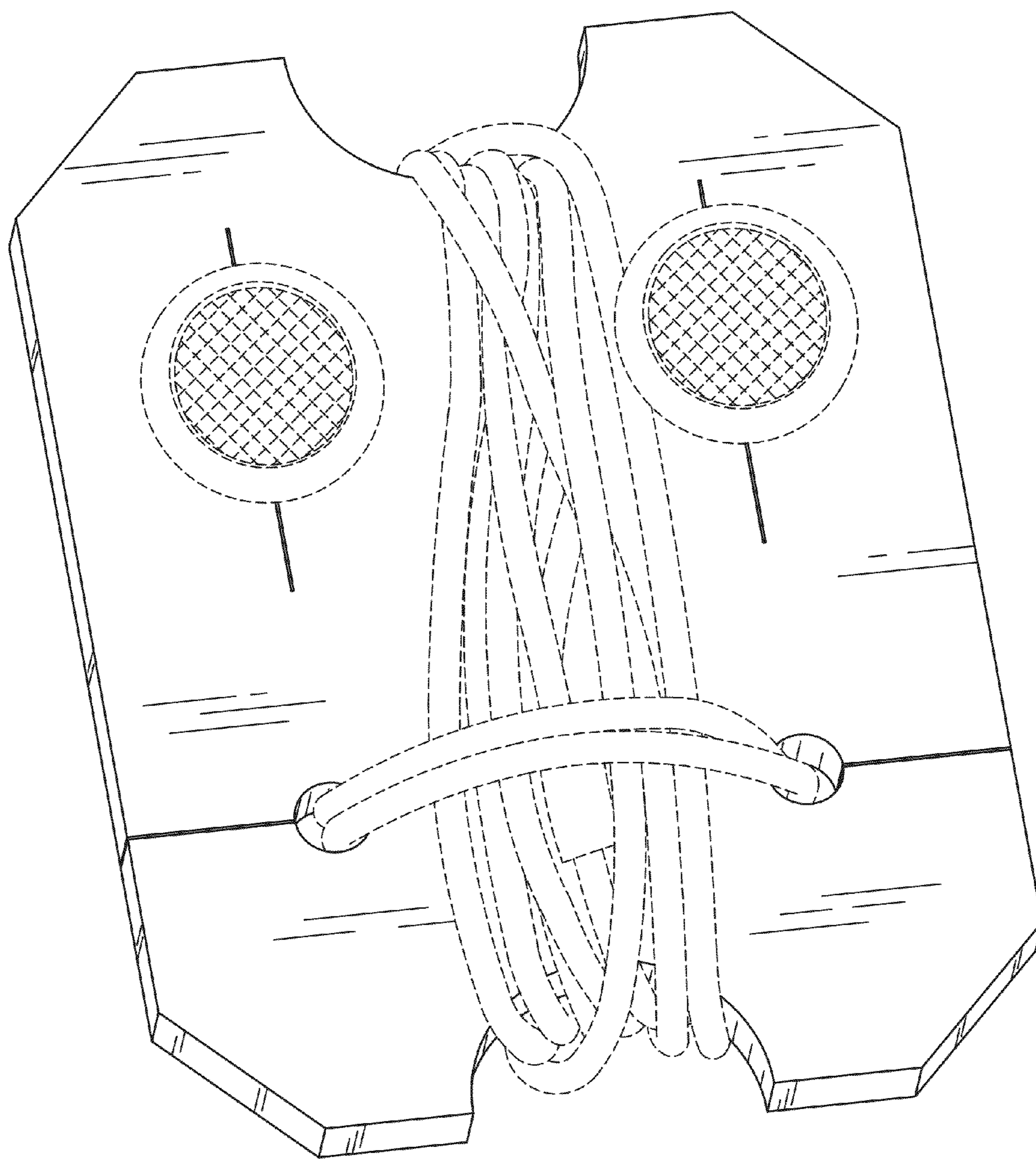


FIG. 5

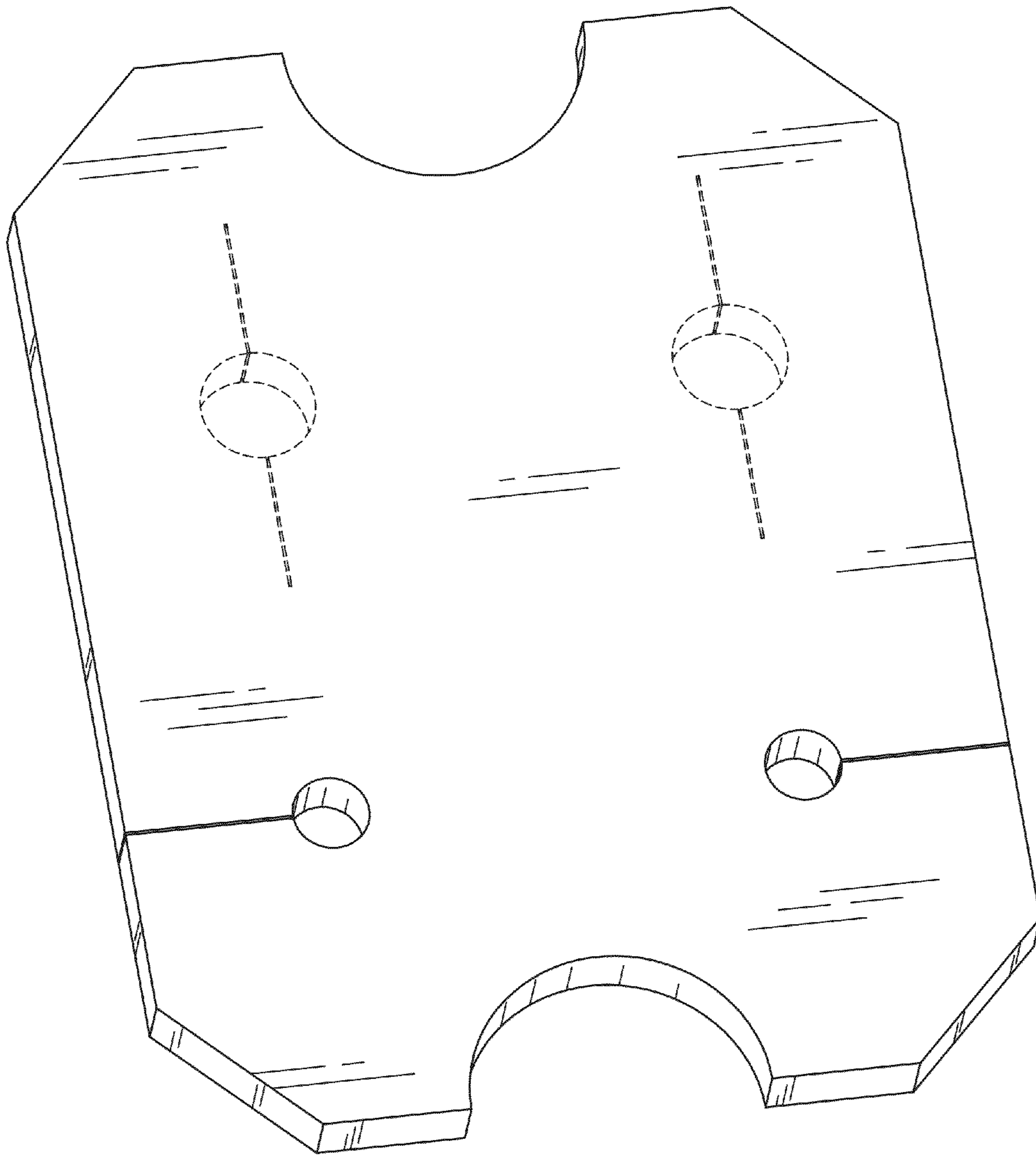


FIG. 6

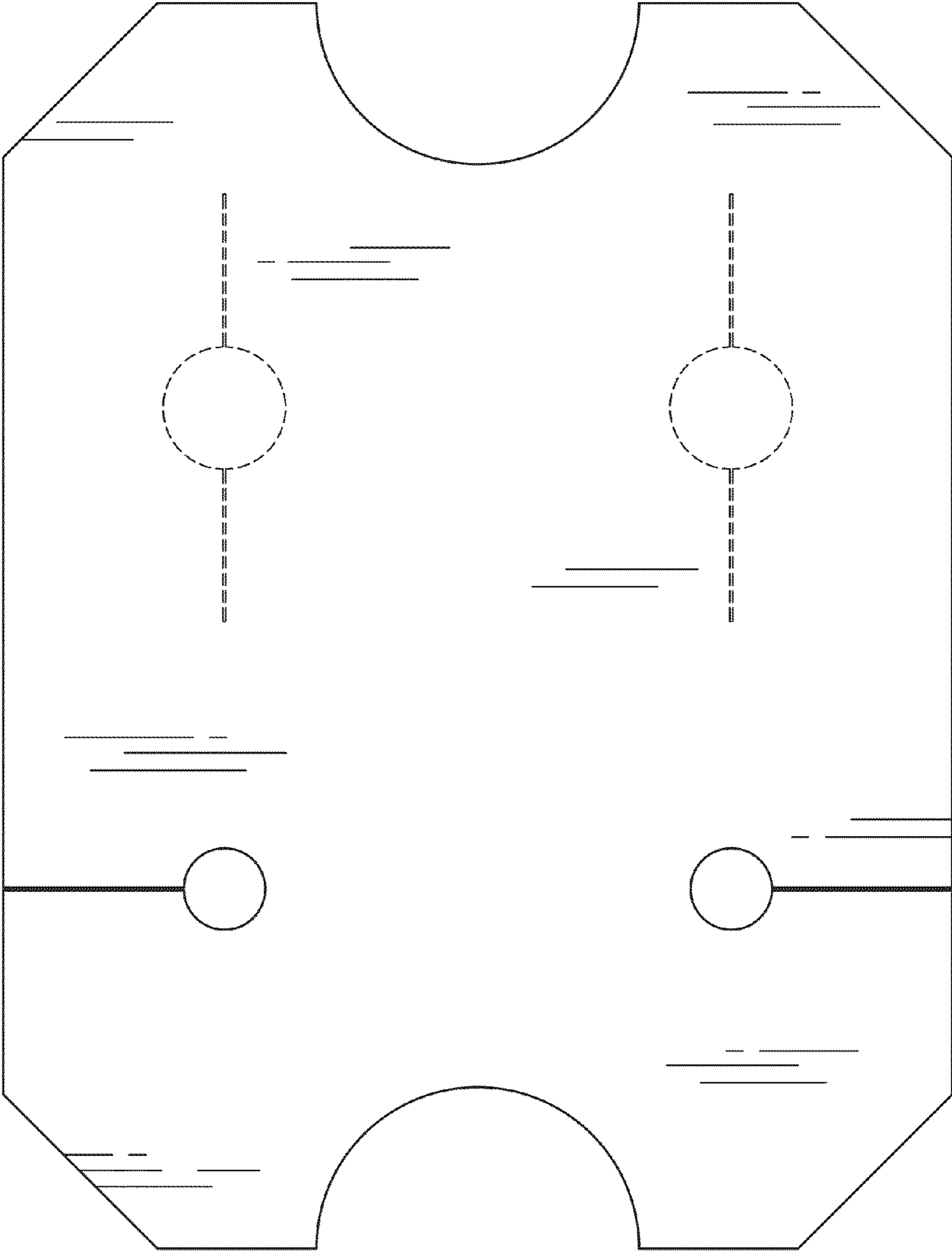


FIG. 7