

US00D737796S

(12) **United States Design Patent**  
**Liu**

(10) **Patent No.:** **US D737,796 S**  
(45) **Date of Patent:** **\*\* Sep. 1, 2015**

(54) **WIRELESS HEADSET TRANSCEIVER WITH CLIP**

(71) Applicants: **LITE-ON ELECTRONICS (GUANGZHOU) LIMITED**, Guangzhou (CN); **LITE-ON TECHNOLOGY CORPORATION**, Taipei (TW)

(72) Inventor: **Liang-Yi Liu**, Taipei (TW)

(73) Assignees: **LITE-ON ELECTRONICS (GUANGZHOU) LIMITED**, Guangzhou (CN); **LITE-ON TECHNOLOGY CORPORATION**, Taipei (TW)

(\*\*) Term: **14 Years**

(21) Appl. No.: **29/482,777**

(22) Filed: **Feb. 21, 2014**

(30) **Foreign Application Priority Data**

Jan. 6, 2014 (TW) ..... 103300081

(51) **LOC (10) Cl.** ..... **14-01**

(52) **U.S. Cl.**  
USPC ..... **D14/205**

(58) **Field of Classification Search**  
USPC ..... D14/205, 223, 203.5, 203.7, 218, 412, D14/496, 240.242; 224/241; 181/129, 130, 181/135; 379/430, 431; 381/380, 381; 455/90.3, 575.1

CPC ..... H04M 1/6058  
See application file for complete search history.

(56) **References Cited**

**U.S. PATENT DOCUMENTS**

D223,097 S \* 3/1972 Krumin et al. .... D14/191  
D277,753 S \* 2/1985 Eckmann et al. .... D14/191  
D280,494 S \* 9/1985 Abel ..... D10/106.1

D280,896 S \* 10/1985 Campbell et al. .... D14/155  
D285,559 S \* 9/1986 Toth et al. .... D14/191  
D290,356 S \* 6/1987 Fisher ..... D14/191  
D303,528 S \* 9/1989 Scheid et al. .... D14/191  
D304,191 S \* 10/1989 Sekine ..... D14/192  
D306,853 S \* 3/1990 Mayo et al. .... D13/168  
D310,349 S \* 9/1990 Rowen ..... D13/168  
5,081,709 A \* 1/1992 Benyo et al. .... 455/348  
5,664,292 A \* 9/1997 Chen ..... 24/3.11  
5,748,454 A \* 5/1998 Nichols et al. .... 361/814  
5,803,323 A \* 9/1998 Hayashi et al. .... 224/241  
6,188,881 B1 \* 2/2001 Braxton ..... 455/351  
D443,404 S \* 6/2001 Bramhan ..... D2/864  
D445,776 S \* 7/2001 Ishii et al. .... D14/167  
6,438,248 B1 \* 8/2002 Kamimura et al. .... 381/374  
D479,222 S \* 9/2003 Lu ..... D14/192  
D492,284 S \* 6/2004 Suzuki ..... D14/218  
D500,485 S \* 1/2005 Deguchi ..... D14/480.4  
D517,052 S \* 3/2006 Skulley ..... D14/223  
D560,687 S \* 1/2008 Kim et al. .... D14/496

(Continued)

*Primary Examiner* — Paula Greene

(74) *Attorney, Agent, or Firm* — Li & Cai Intellectual Property (USA) Office

(57) **CLAIM**

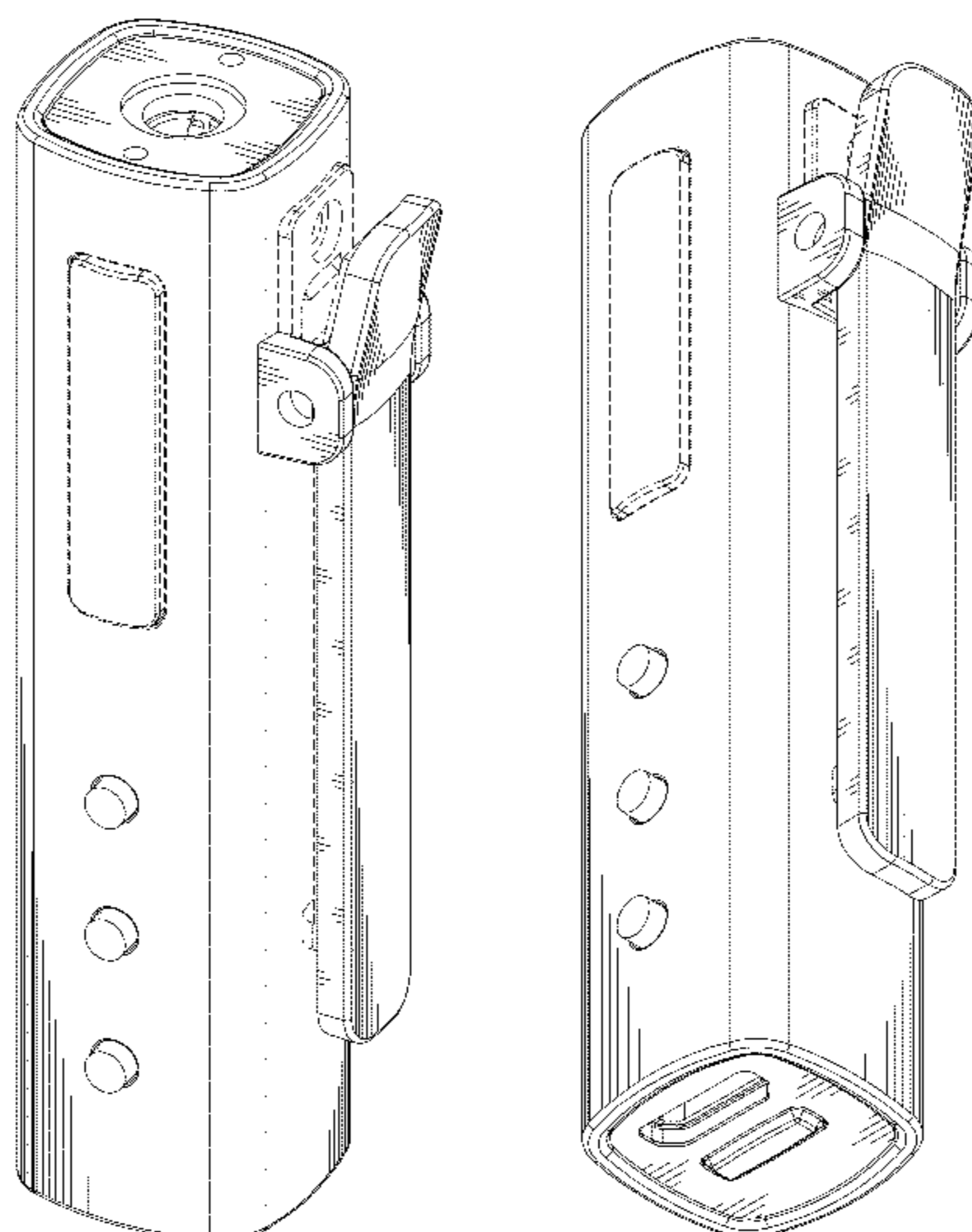
The ornamental design for a “wireless headset transceiver with clip,” as shown and described.

**DESCRIPTION**

FIG. 1 is a perspective view of a wireless headset transceiver with clip showing our new design;  
FIG. 2 is a front view thereof;  
FIG. 3 is a rear view thereof;  
FIG. 4 is a left side view thereof;  
FIG. 5 is a right side view thereof;  
FIG. 6 is a top view thereof;  
FIG. 7 is a bottom view thereof; and,  
FIG. 8 is a perspective view viewed from another visual angle thereof.

The broken lines depict portions of the wireless headset transceiver with clip which form no part of the claimed design.

**1 Claim, 7 Drawing Sheets**



(56)

**References Cited**

U.S. PATENT DOCUMENTS

D567,216 S \* 4/2008 Densho ..... D14/205  
D602,919 S \* 10/2009 Bodley et al. .... D14/225  
D605,168 S \* 12/2009 Jaakkola et al. .... D14/205  
D609,701 S \* 2/2010 Hou ..... D14/240

D646,280 S \* 10/2011 Yano ..... D14/412  
D662,488 S \* 6/2012 Yeo ..... D14/203.7  
D664,950 S \* 8/2012 Rye et al. .... D14/223  
D688,272 S \* 8/2013 Lee ..... D14/496  
D702,732 S \* 4/2014 Wu ..... D14/496  
D713,421 S \* 9/2014 Kaneta ..... D14/496  
D716,274 S \* 10/2014 Henning ..... D14/223

\* cited by examiner

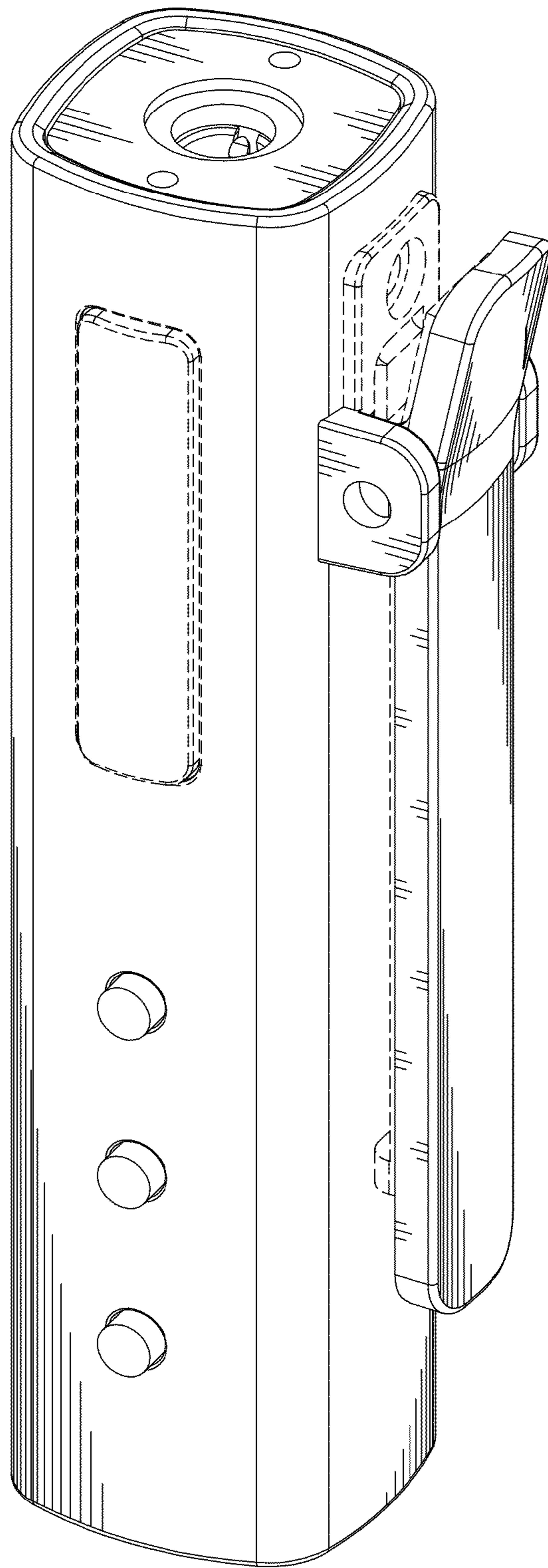


FIG.1

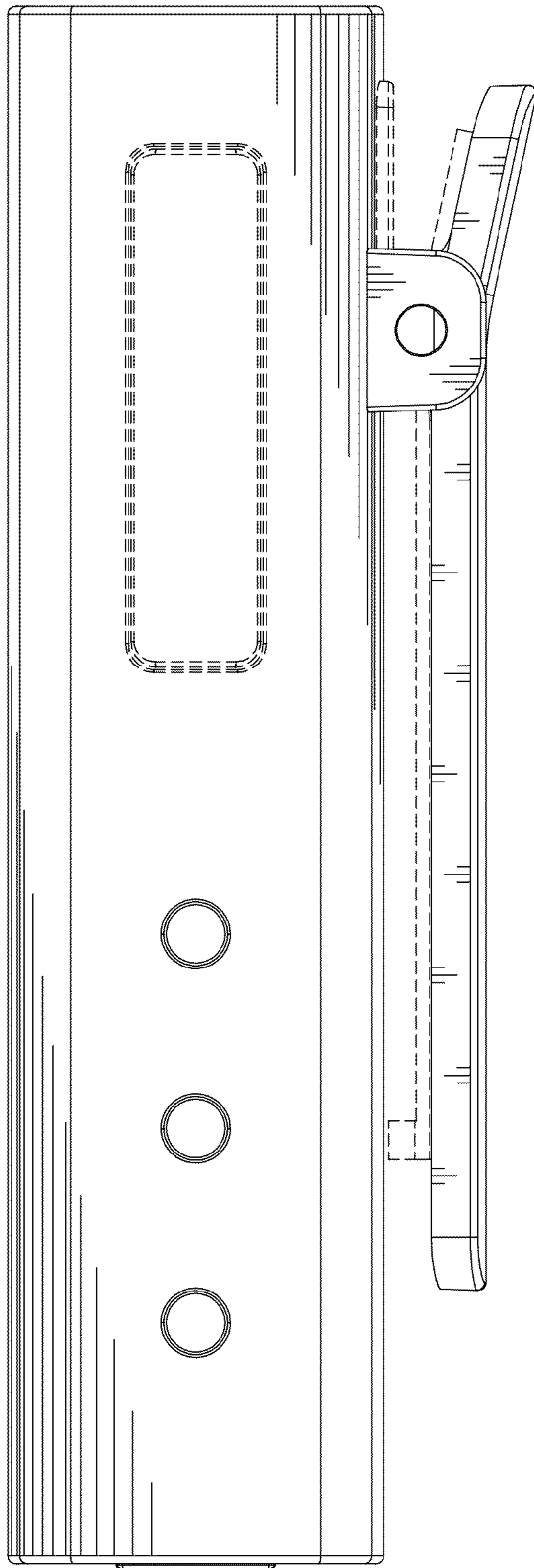


FIG.2

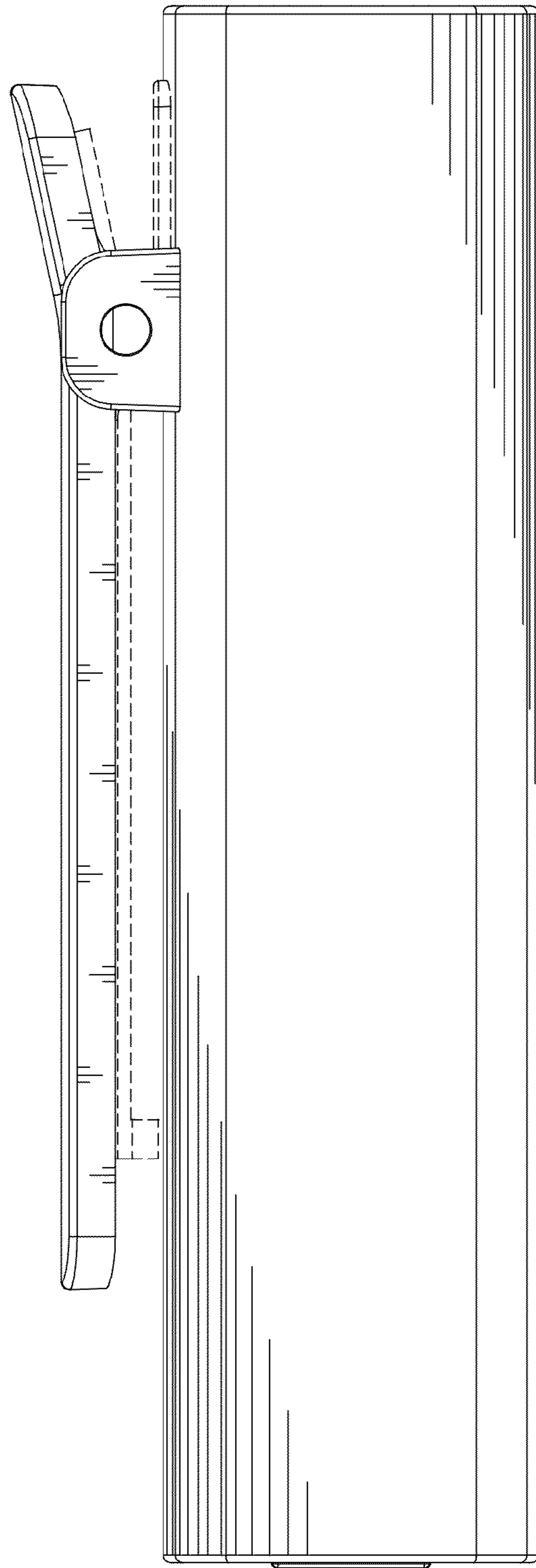


FIG.3

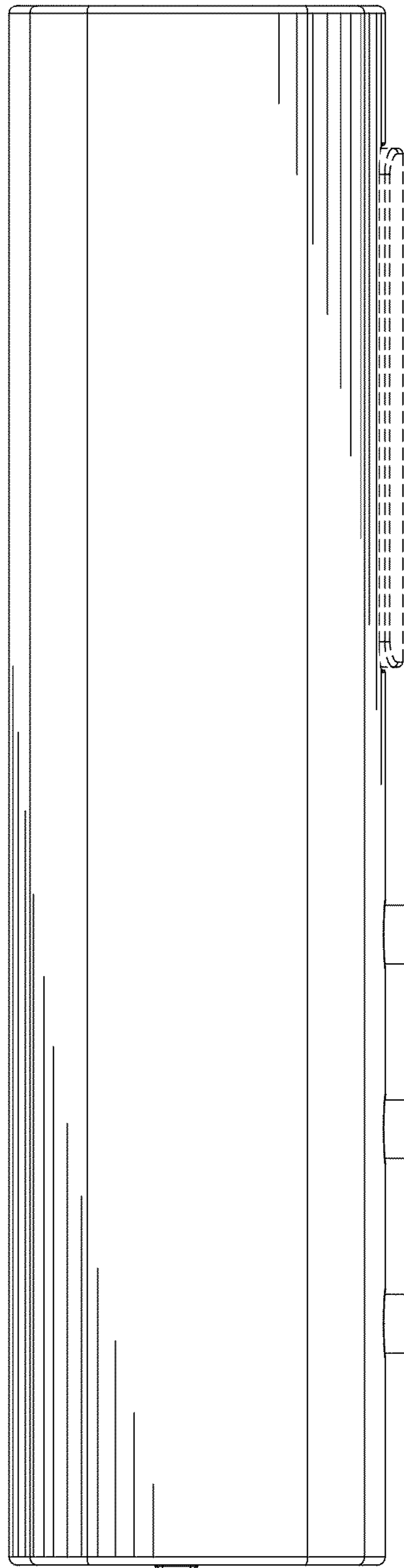


FIG.4

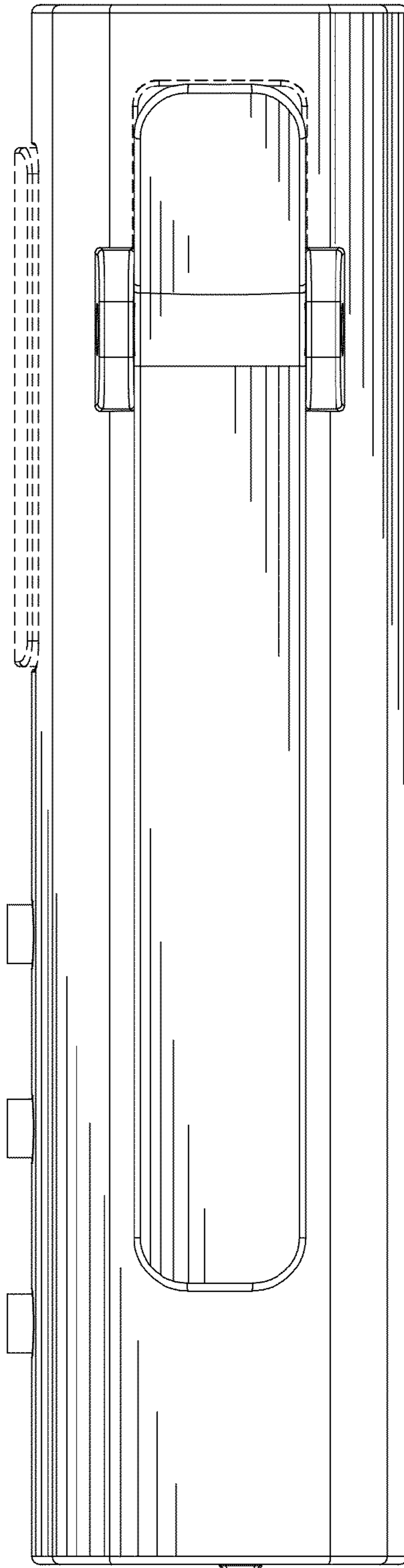


FIG.5

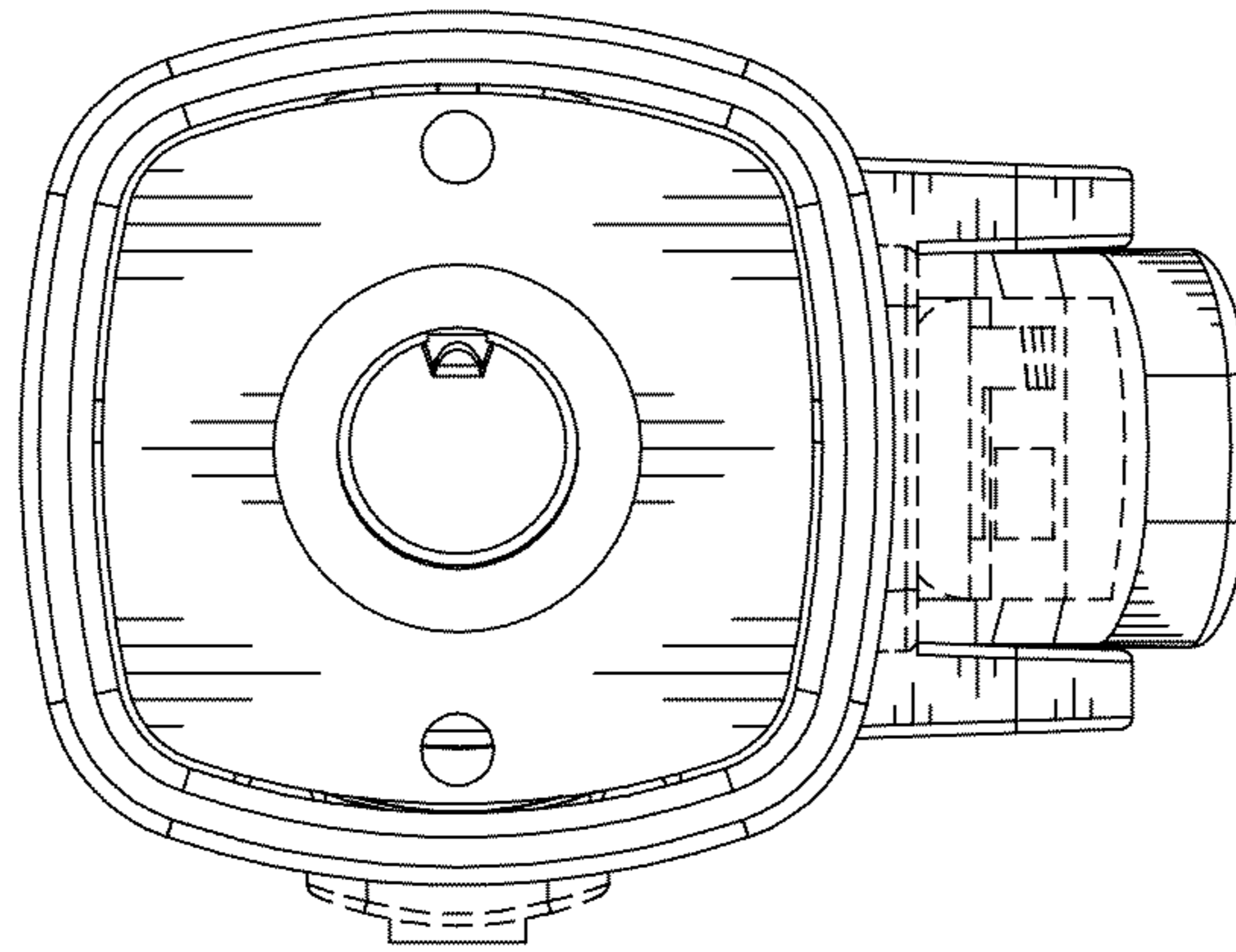


FIG.6

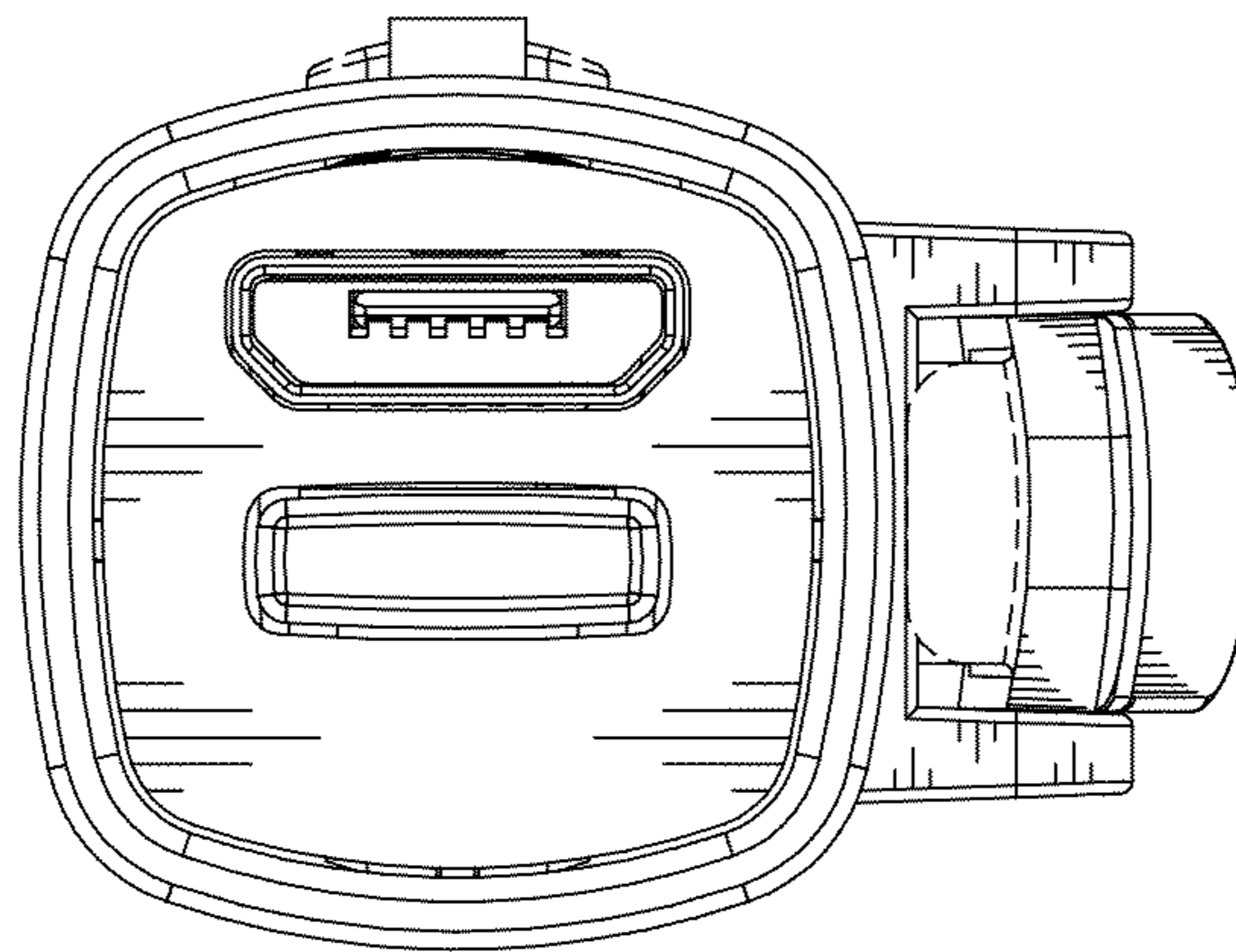


FIG.7



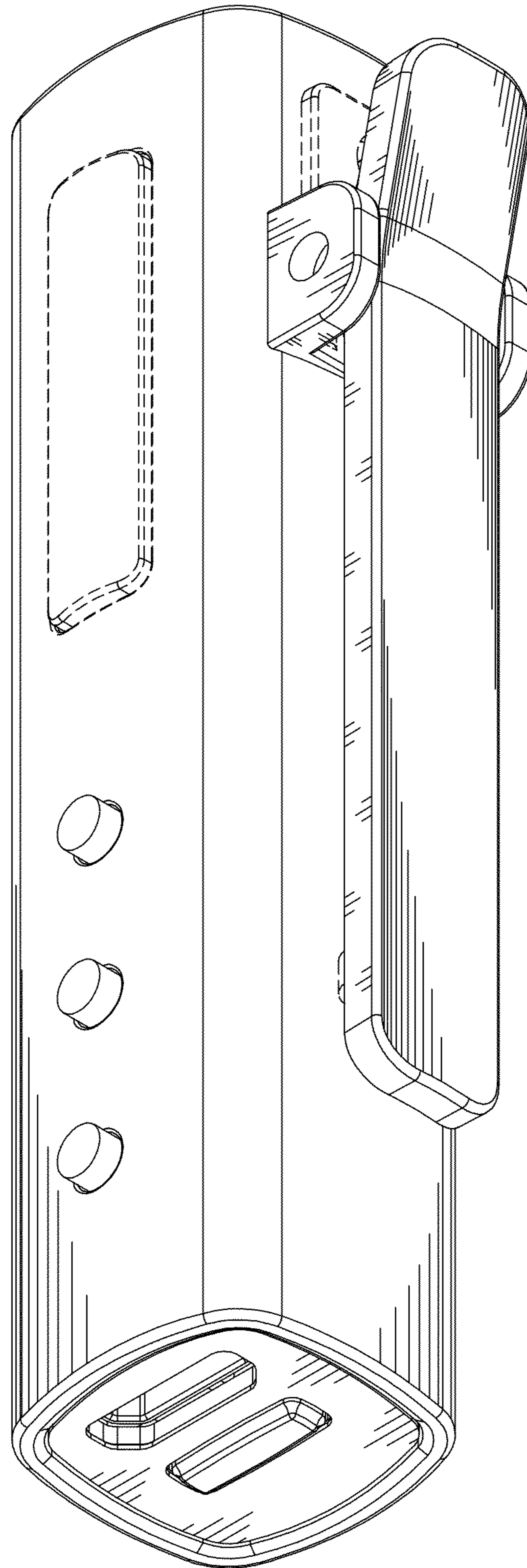


FIG.8