



US00D737792S

(12) **United States Design Patent**  
**Park et al.**

(10) **Patent No.:** **US D737,792 S**  
(45) **Date of Patent:** **\*\* Sep. 1, 2015**

(54) **TELEVISION RECEIVER**

(56) **References Cited**

(71) Applicant: **Samsung Electronics Co., Ltd.**,  
Suwon-si, Gyeonggi-do (KR)  
(72) Inventors: **Hae-Sung Park**, Seoul (KR);  
**Hyung-Ho Hwangbo**, Seoul (KR); **Rina**  
**Shin**, Seoul (KR); **Christopher Edward**  
**Bangle**, Borgata Gorrea (IT)  
(73) Assignee: **SAMSUNG ELECTRONICS CO.,**  
**LTD.** (KR)

U.S. PATENT DOCUMENTS

D246,593	S	*	12/1977	Paquette	.....	D19/90
D278,354	S	*	4/1985	Mahowald	.....	D19/91
D473,867	S	*	4/2003	Lin	.....	D14/371
D536,310	S	*	2/2007	Kao	.....	D14/126
D587,020	S	*	2/2009	Goodman et al.	.....	D6/313
D610,562	S	*	2/2010	Chien	.....	D14/126
D620,012	S	*	7/2010	Chen et al.	.....	D14/451
D641,559	S	*	7/2011	Segura	.....	D6/313
D699,205	S	*	2/2014	Kim et al.	.....	D14/126
D703,626	S	*	4/2014	Hermansen	.....	D14/126
D709,470	S	*	7/2014	Ryu et al.	.....	D14/126
D719,539	S	*	12/2014	Ryu et al.	.....	D14/126
D725,058	S	*	3/2015	Kim et al.	.....	D14/126
D725,620	S	*	3/2015	Li et al.	.....	D14/126
D726,136	S	*	4/2015	Cho et al.	.....	D14/126

(\*\*) Term: **14 Years**

(21) Appl. No.: **29/484,249**

(22) Filed: **Mar. 7, 2014**

(30) **Foreign Application Priority Data**

Nov. 26, 2013 (KR) ..... 30-2013-0059459

(51) **LOC (10) Cl.** ..... **14-03**

(52) **U.S. Cl.**  
USPC ..... **D14/126**

(58) **Field of Classification Search**  
USPC ..... D14/125-134, 239, 371, 374-377, 440,  
D14/447, 451, 450, 448, 336, 159; D6/300,  
D6/313, 681; D10/15, 26; D16/241;  
D21/329, 515, 577, 333, 331;  
D19/113; 312/7.2; 345/104, 156, 168,  
345/87, 173, 690; 446/484, 175; 273/148 B;  
248/917-924, 465; 348/836, 838, 180,  
348/184, 325, 739  
CPC ..... H05K 5/0004; H05K 5/0017; H05K 5/02;  
H05K 5/0216; G06F 1/1601; G06F 1/1643  
See application file for complete search history.

\* cited by examiner

*Primary Examiner* — Eric Goodman

*Assistant Examiner* — Clese Moore, Jr.

(74) *Attorney, Agent, or Firm* — Cantor Colburn LLP

(57) **CLAIM**

The ornamental design for a television receiver, as shown and described.

**DESCRIPTION**

FIG. 1 is a perspective view of a television receiver, showing our new design;  
FIG. 2 is a front view thereof;  
FIG. 3 is a rear view thereof;  
FIG. 4 is a side view thereof;  
FIG. 5 is another side view thereof;  
FIG. 6 is a top plan view thereof; and,  
FIG. 7 is a bottom plan view thereof.  
The broken lines are for environmental purpose only and form no part of the claimed design.

**1 Claim, 5 Drawing Sheets**

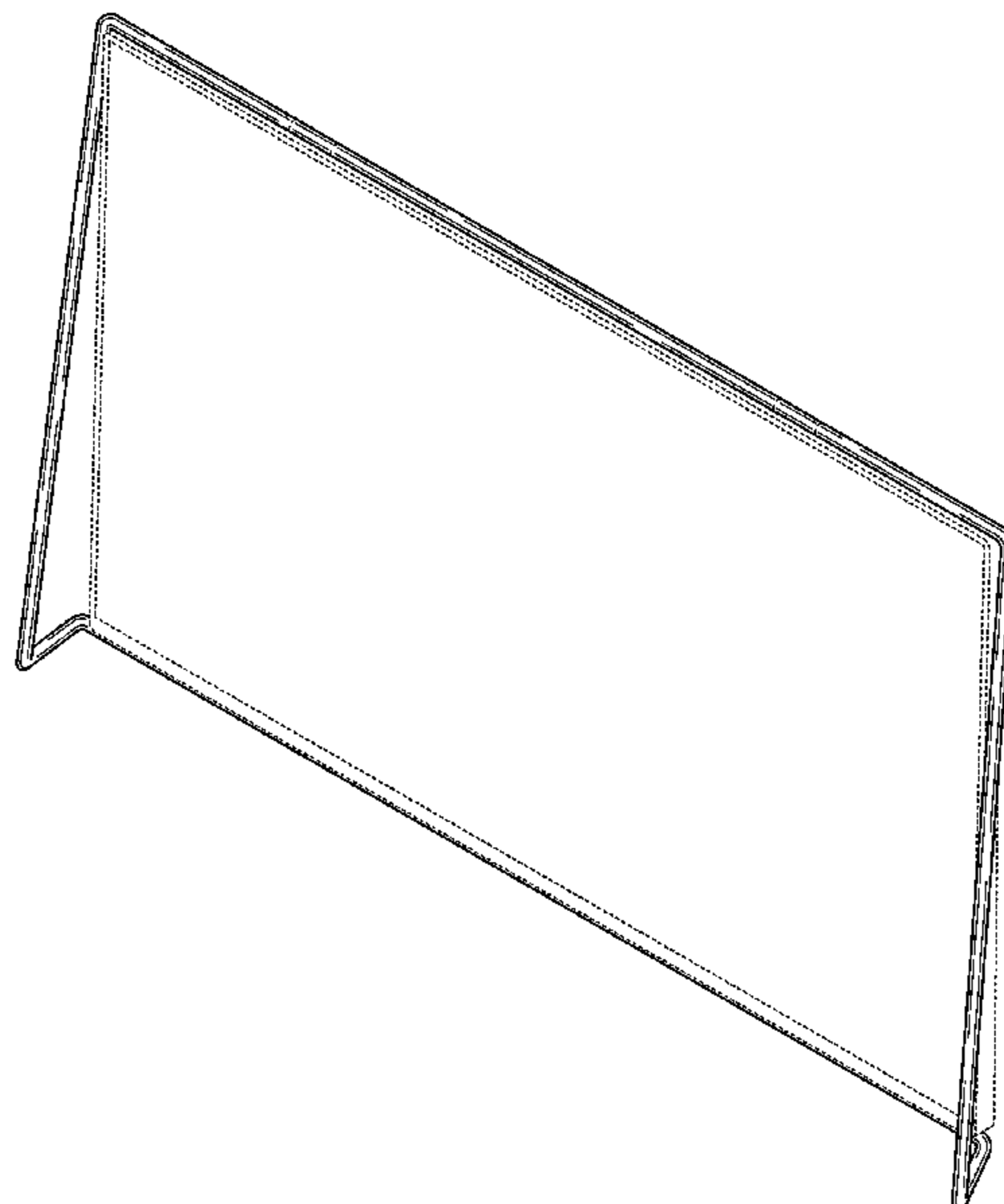


FIG. 1

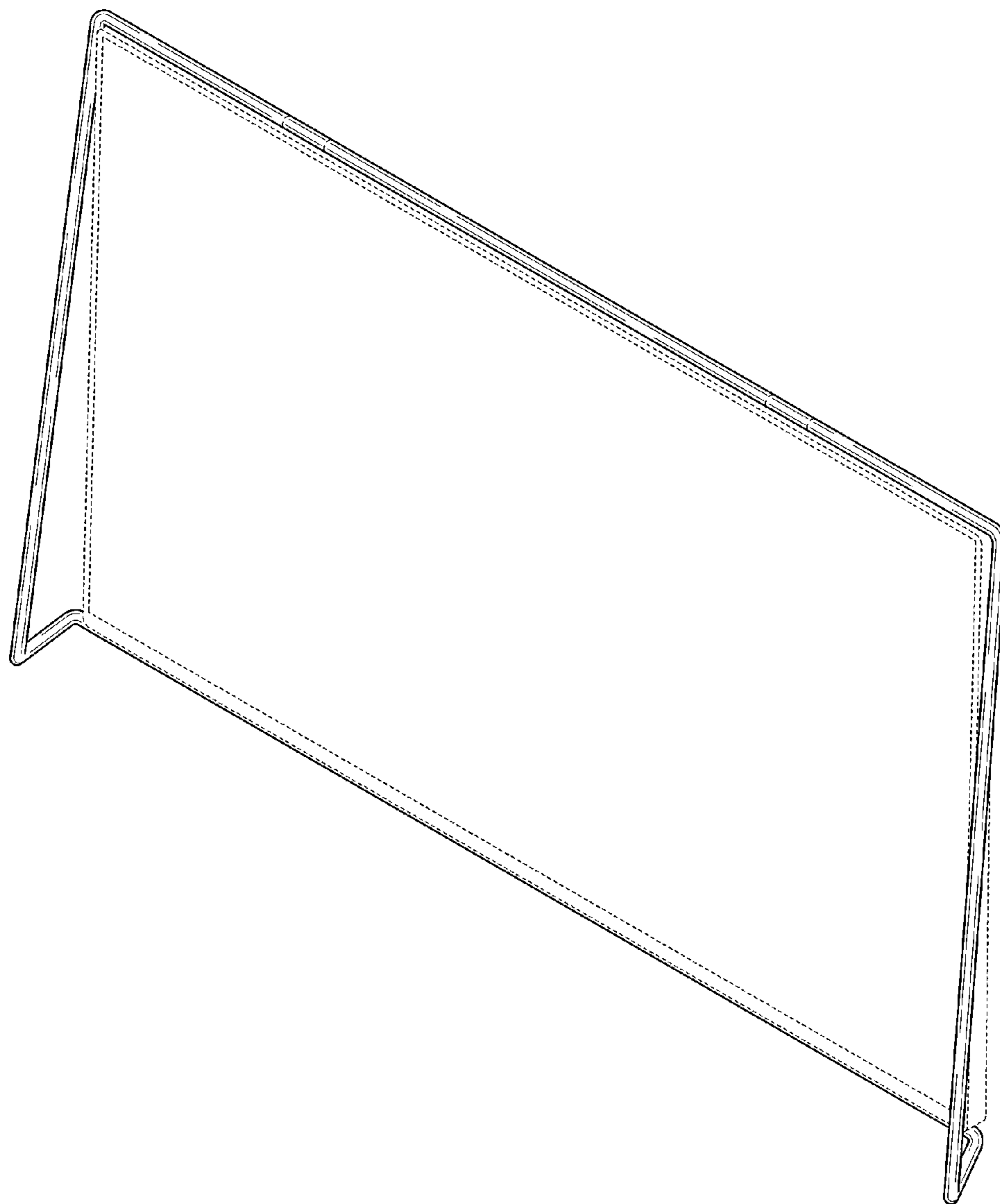


FIG. 2

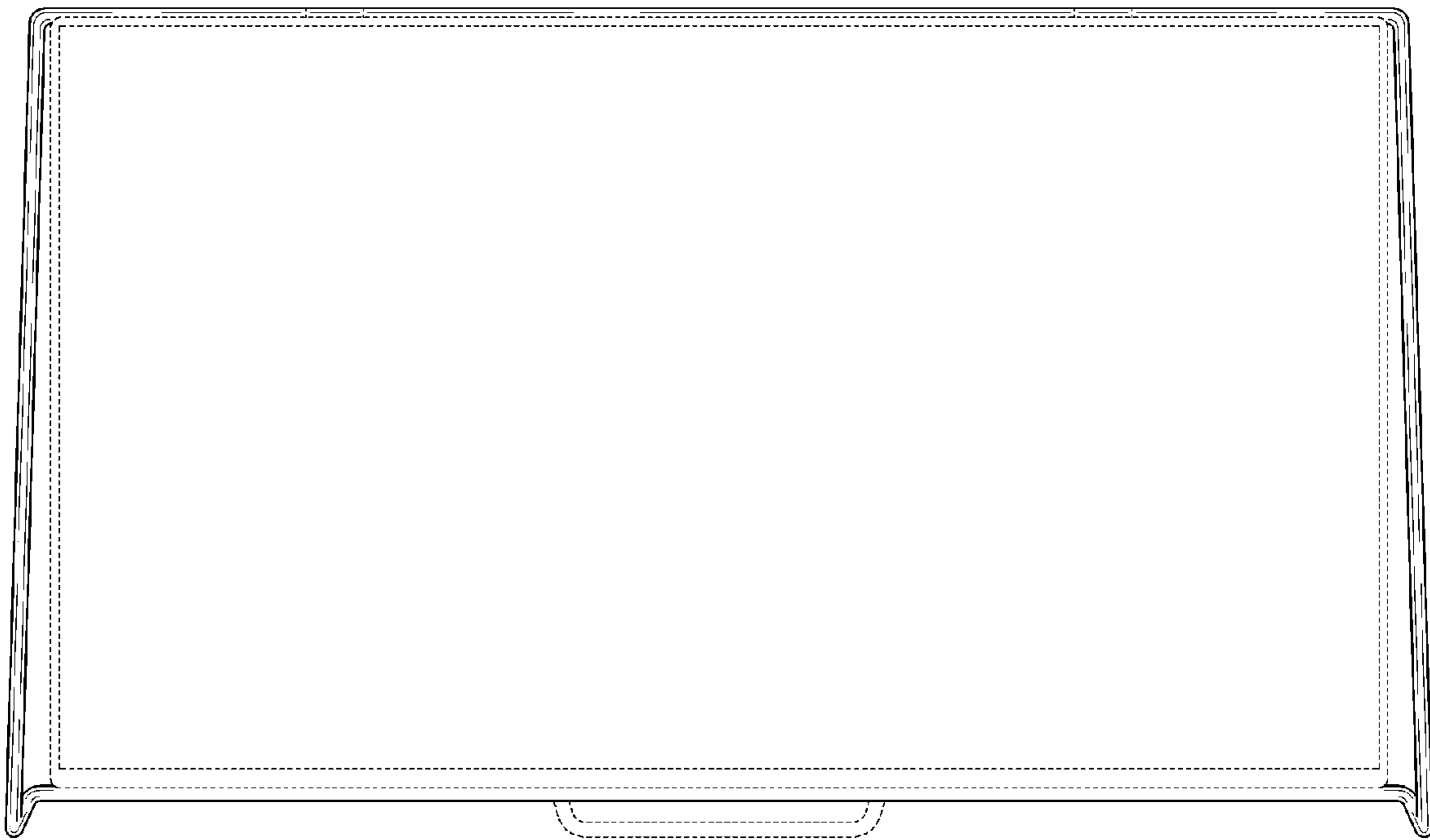


FIG. 3

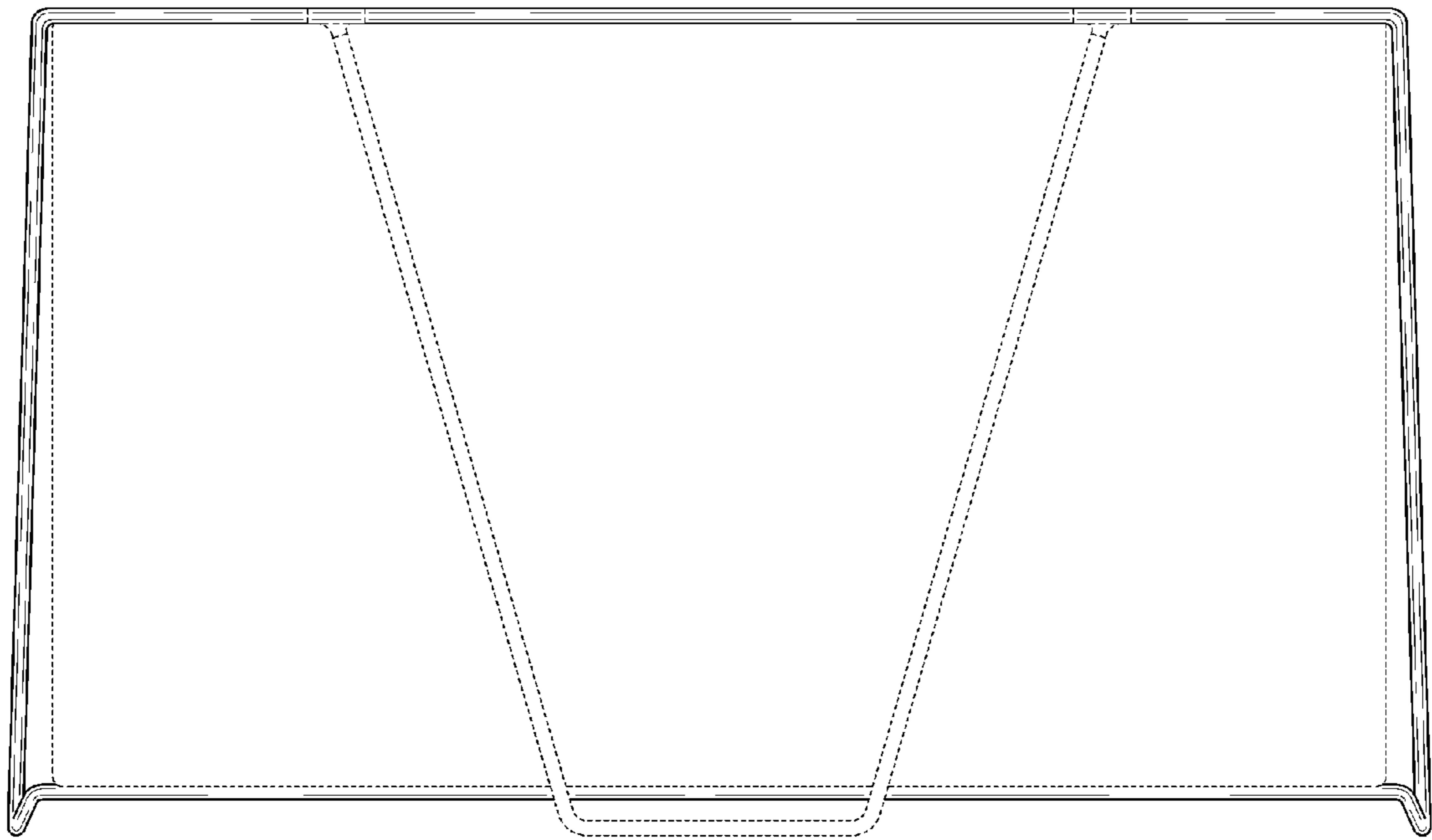


FIG. 4

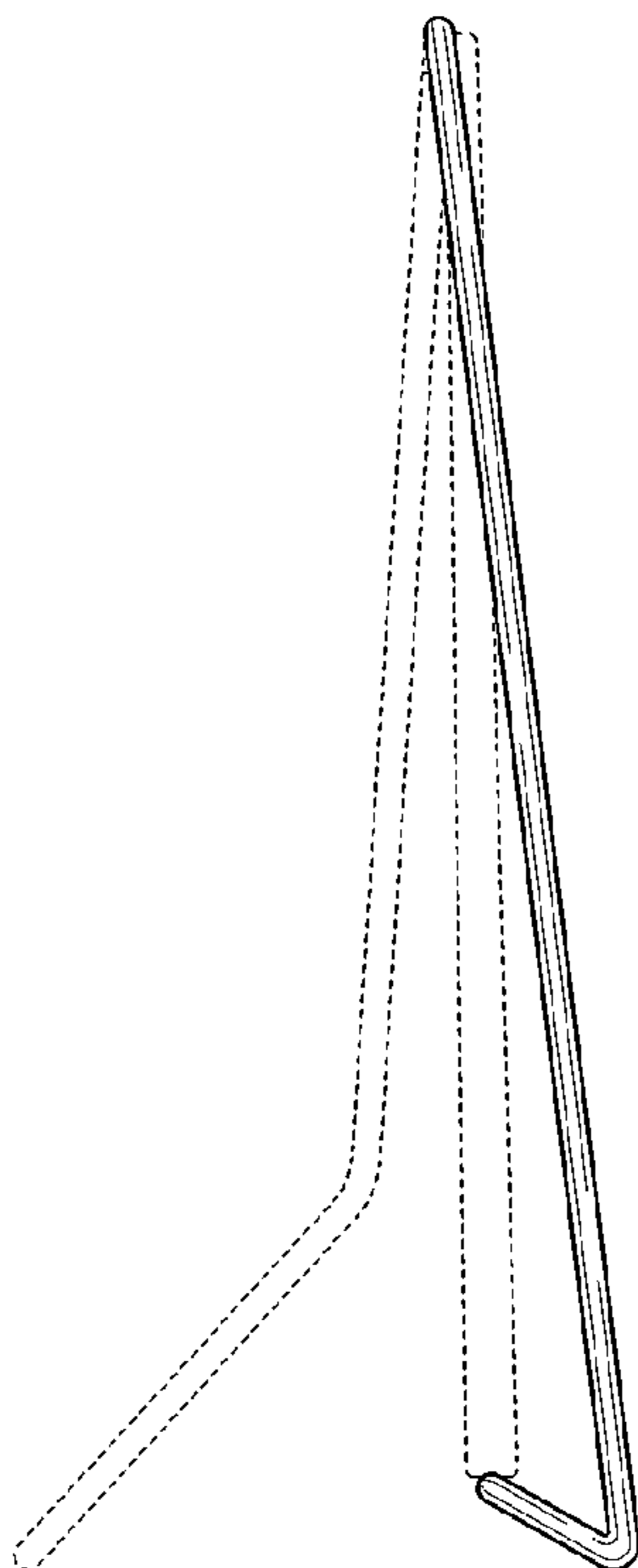


FIG. 5

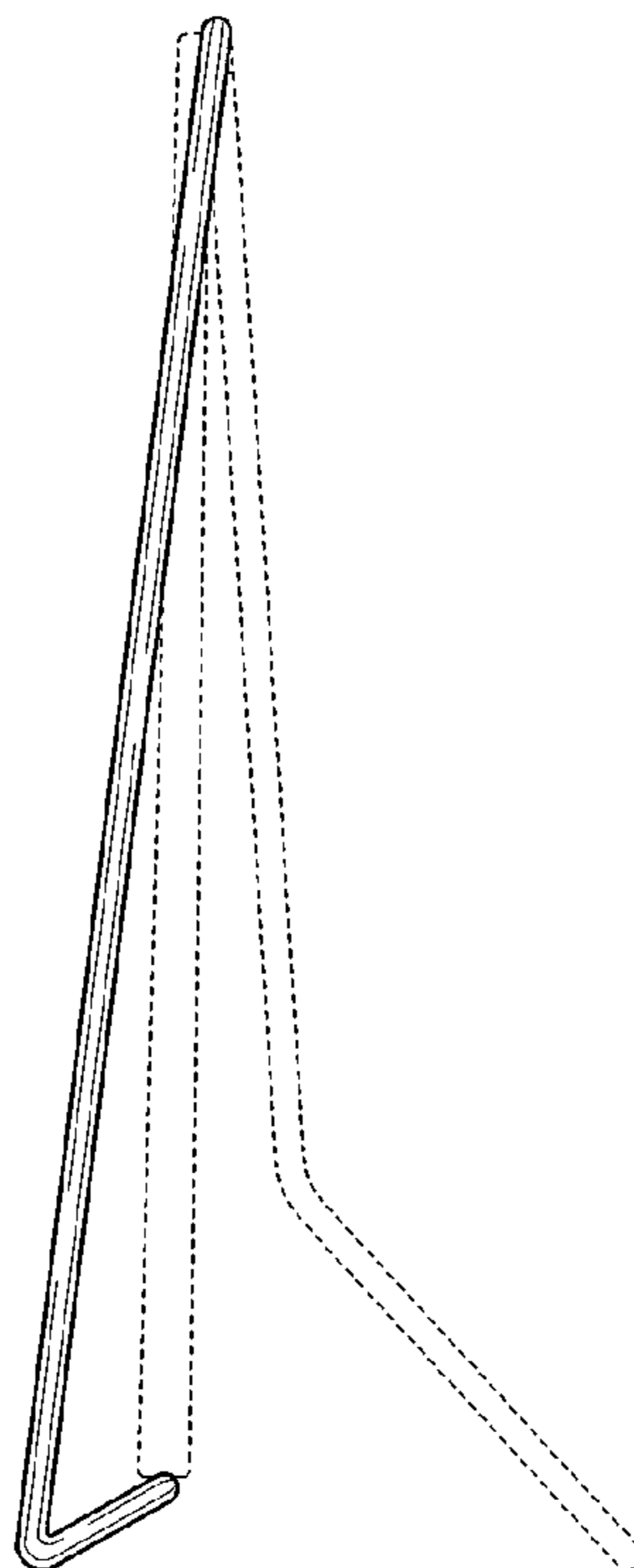


FIG. 6

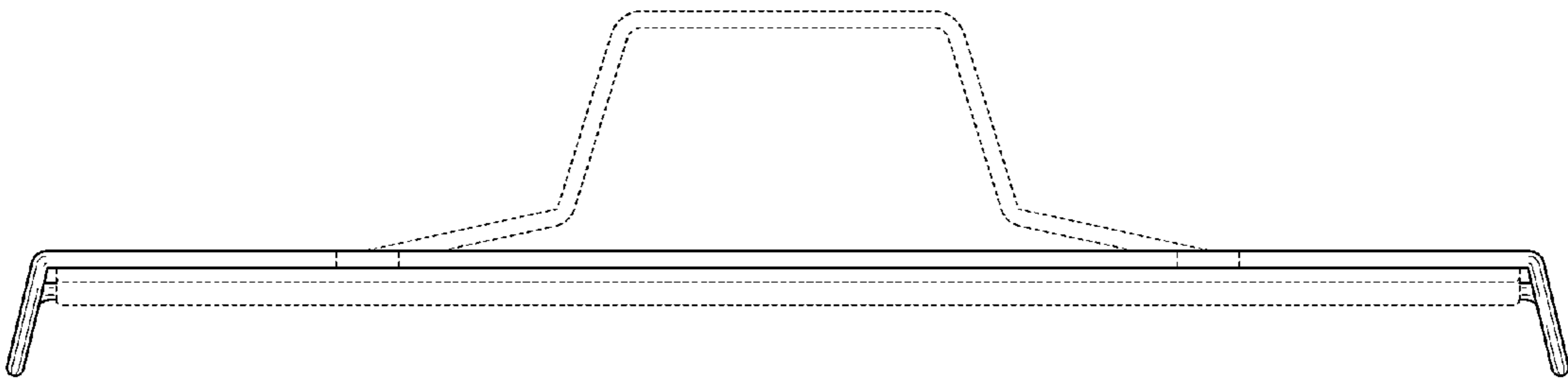


FIG. 7

