

US00D737791S

(12) **United States Design Patent**  
**Han**

(10) **Patent No.:** **US D737,791 S**  
(45) **Date of Patent:** **\*\* Sep. 1, 2015**

(54) **TELEVISION RECEIVER**  
(71) Applicant: **SAMSUNG ELECTRONICS CO., LTD.**, Suwon-si, Gyeonggi-do (KR)  
(72) Inventor: **Kyu Mi Han**, Seoul (KR)  
(73) Assignee: **SAMSUNG ELECTRONICS CO., LTD.** (KR)

D656,471 S \* 3/2012 Han et al. .... D14/126  
D656,913 S \* 4/2012 Ann et al. .... D14/126  
D656,915 S \* 4/2012 Hwangbo et al. .... D14/126  
D659,662 S \* 5/2012 Lv et al. .... D14/126  
D680,508 S \* 4/2013 Kim et al. .... D14/126  
D706,233 S \* 6/2014 Lee et al. .... D14/126  
D708,596 S \* 7/2014 Park ..... D14/126  
D717,754 S \* 11/2014 Kim et al. .... D14/126  
D718,728 S \* 12/2014 Park ..... D14/126  
D719,538 S \* 12/2014 Lee et al. .... D14/126  
D726,666 S \* 4/2015 Hwangbo et al. .... D14/126

(\*\*) Term: **14 Years**  
(21) Appl. No.: **29/466,347**

\* cited by examiner

(22) Filed: **Sep. 6, 2013**

*Primary Examiner* — Raphael Barkai  
(74) *Attorney, Agent, or Firm* — Cantor Colburn LLP

(30) **Foreign Application Priority Data**

Mar. 7, 2013 (KR) ..... 30-2013-0011601

(51) **LOC (10) Cl.** ..... **14-03**

(52) **U.S. Cl.**  
USPC ..... **D14/126**

(58) **Field of Classification Search**  
USPC ..... D14/125–134, 239, 371, 136, 374–377,  
D14/440, 450, 448, 336, 342, 159; 312/7.2;  
348/836, 838, 180, 184, 325, 739;  
248/917–924, 465; 345/104, 133, 156,  
345/168, 87, 173; D21/329, 515, 577, 622,  
D21/333, 433, 448, 452, 450, 331, 505;  
D10/15, 26; 446/484, 175, 356;  
D6/477, 479, 300

CPC ... G06F 1/1601; G06F 1/1643; H05K 5/0004;  
H05K 5/0017; H05K 5/02; H05K 5/0217

See application file for complete search history.

(56) **References Cited**

U.S. PATENT DOCUMENTS

D620,903 S \* 8/2010 Song et al. .... D14/126  
D643,389 S \* 8/2011 Lee et al. .... D14/126  
D656,115 S \* 3/2012 Kim et al. .... D14/126  
D656,116 S \* 3/2012 Kim et al. .... D14/126

(57) **CLAIM**

I claim, the ornamental design for a television receiver, as shown and described.

**DESCRIPTION**

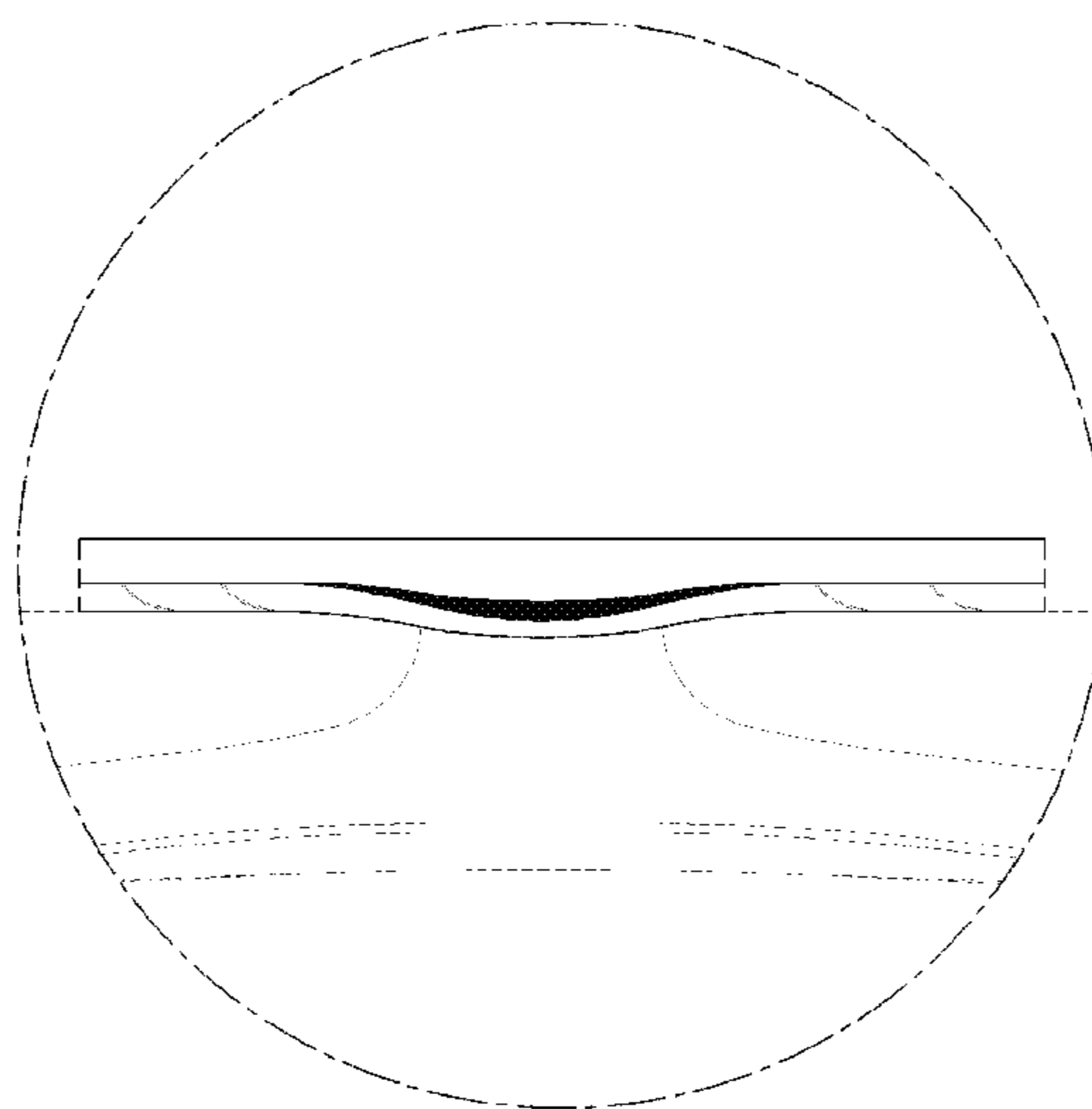
FIG. 1 is the front perspective view of a television receiver showing my new design;  
FIG. 2 is a front elevation view thereof;  
FIG. 3 is a rear elevation view thereof;  
FIG. 4 is a side elevation view thereof;  
FIG. 5 is another side elevation view thereof;  
FIG. 6 is a top plan view thereof;  
FIG. 7 is a bottom plan view thereof; and,  
FIG. 8 is an enlarged view of the circled area A shown in FIG. 2.

The surface treatment of the television receiver shown in the figures forms no part of the claimed design, a television receiver according to the claimed design may have any surface treatment.

It is contemplated that other embodiments of their design may include any part, portion, element or combination of elements of the claimed design.

The broken lines illustrating portions of the television receiver are for environmental purposes only and form no part of the claimed design.

**1 Claim, 7 Drawing Sheets**



**FIG. 1**

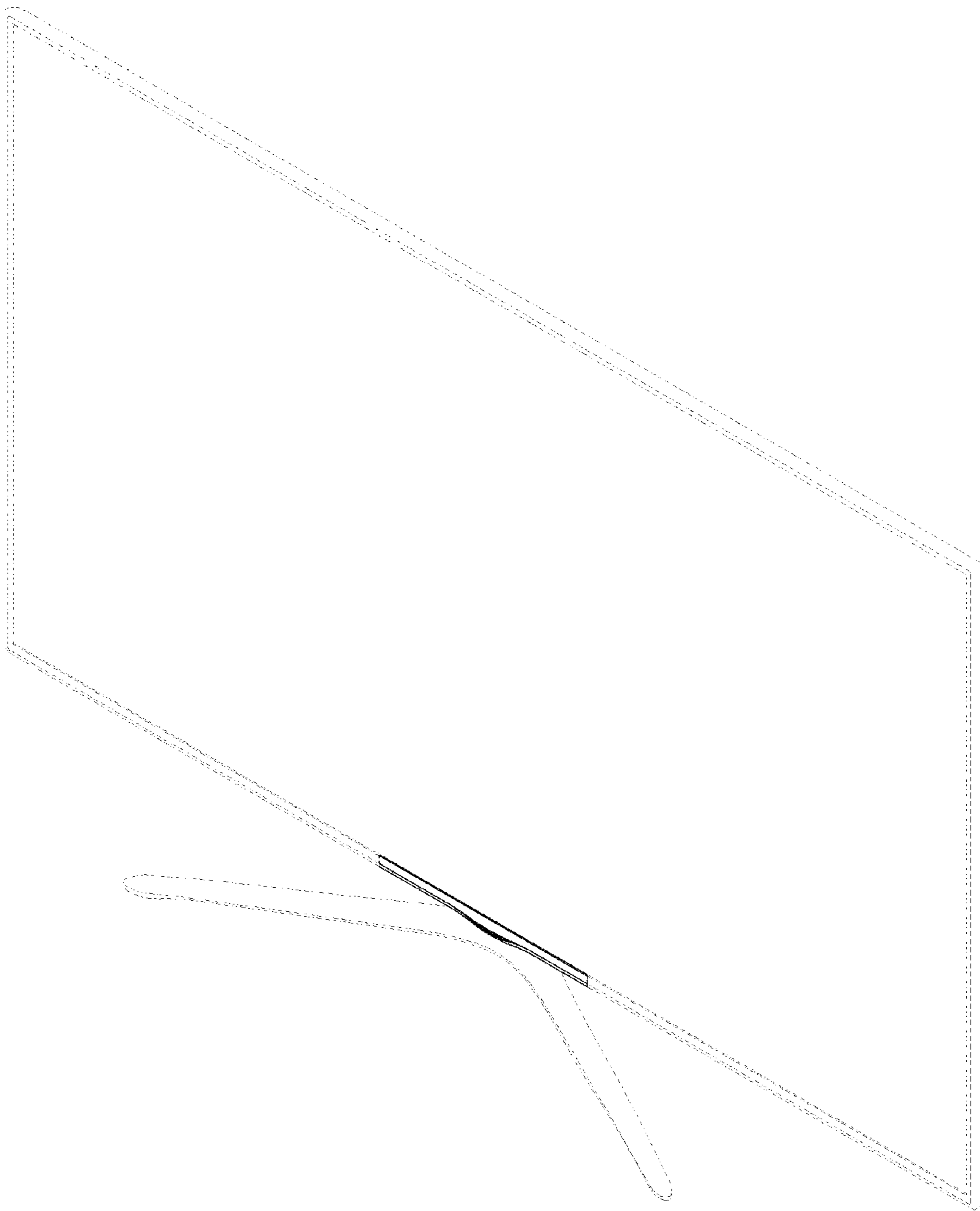
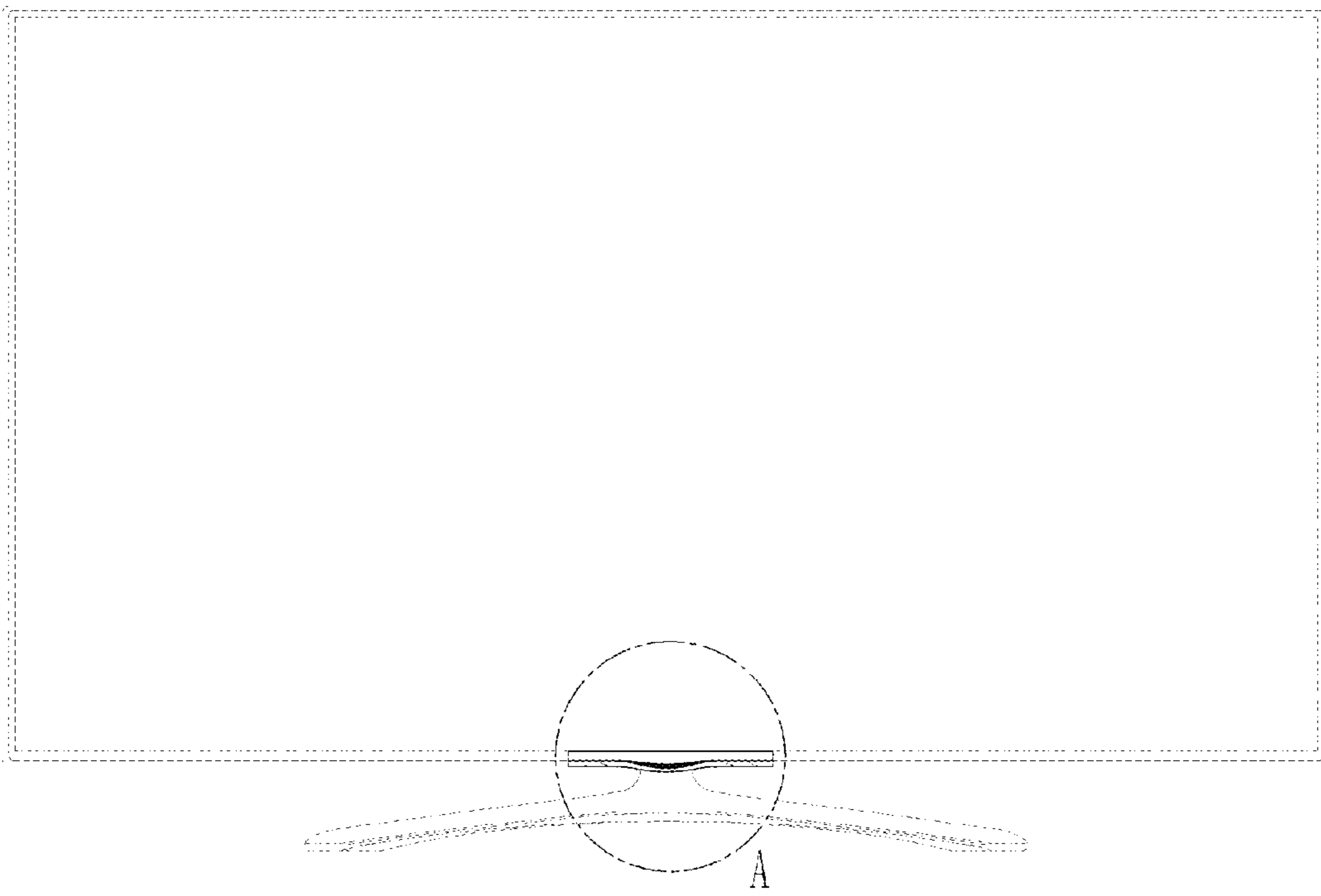
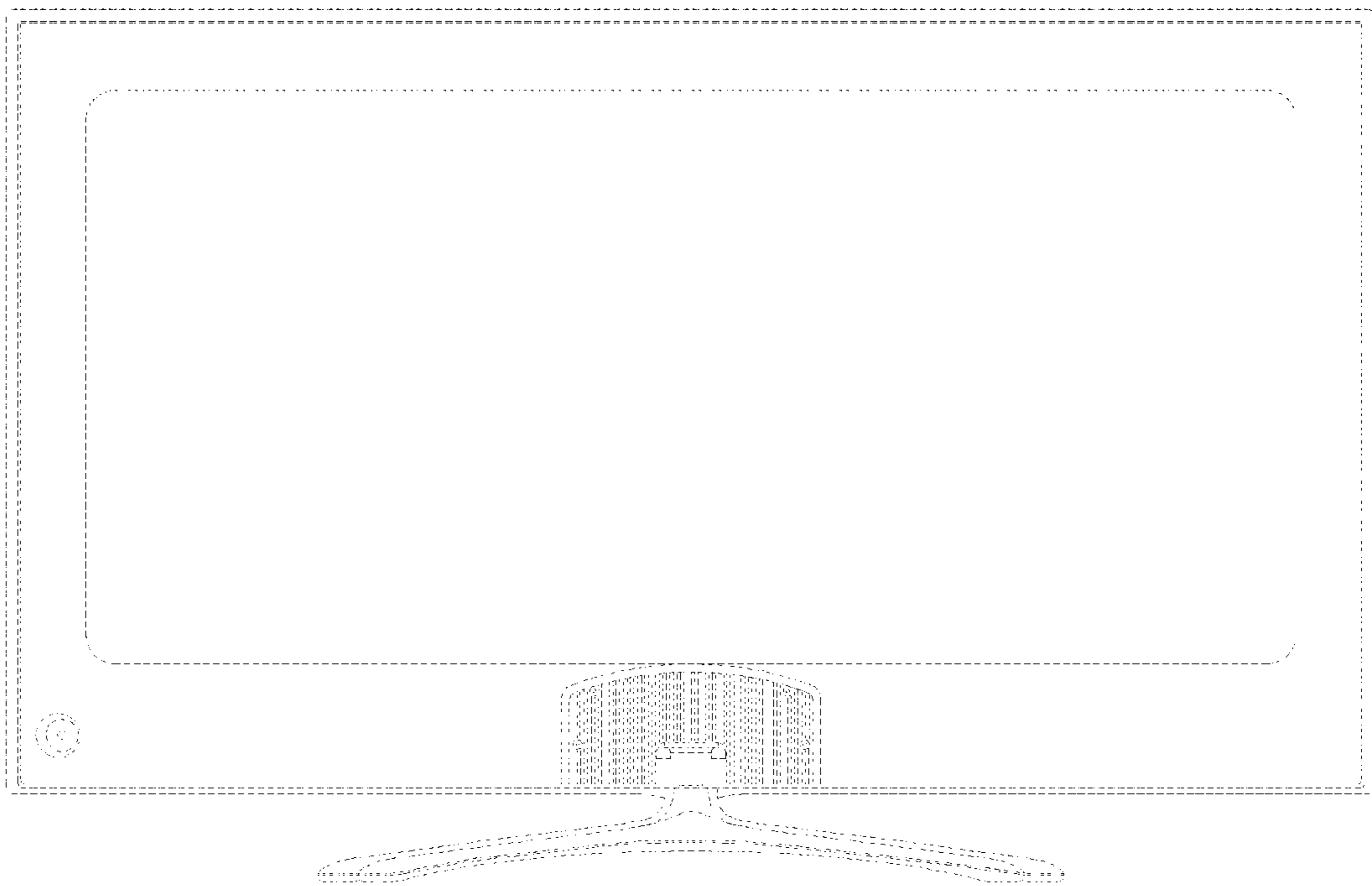


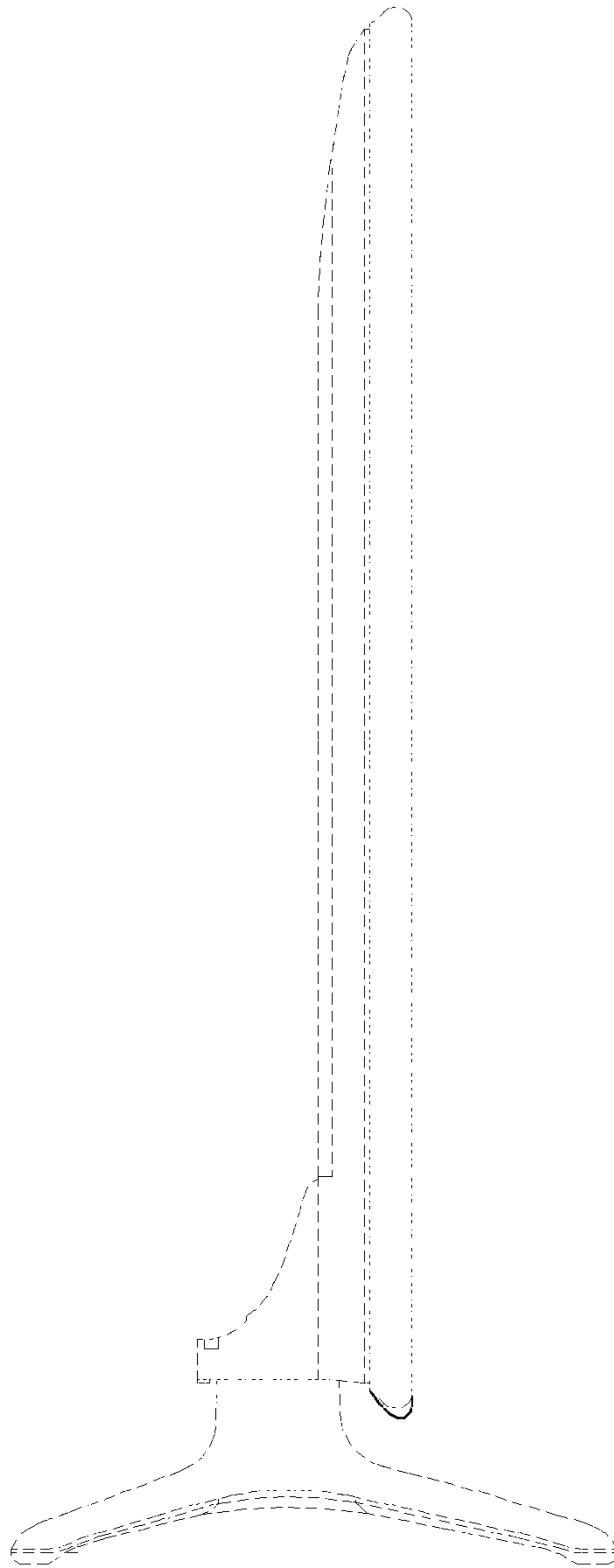
FIG. 2



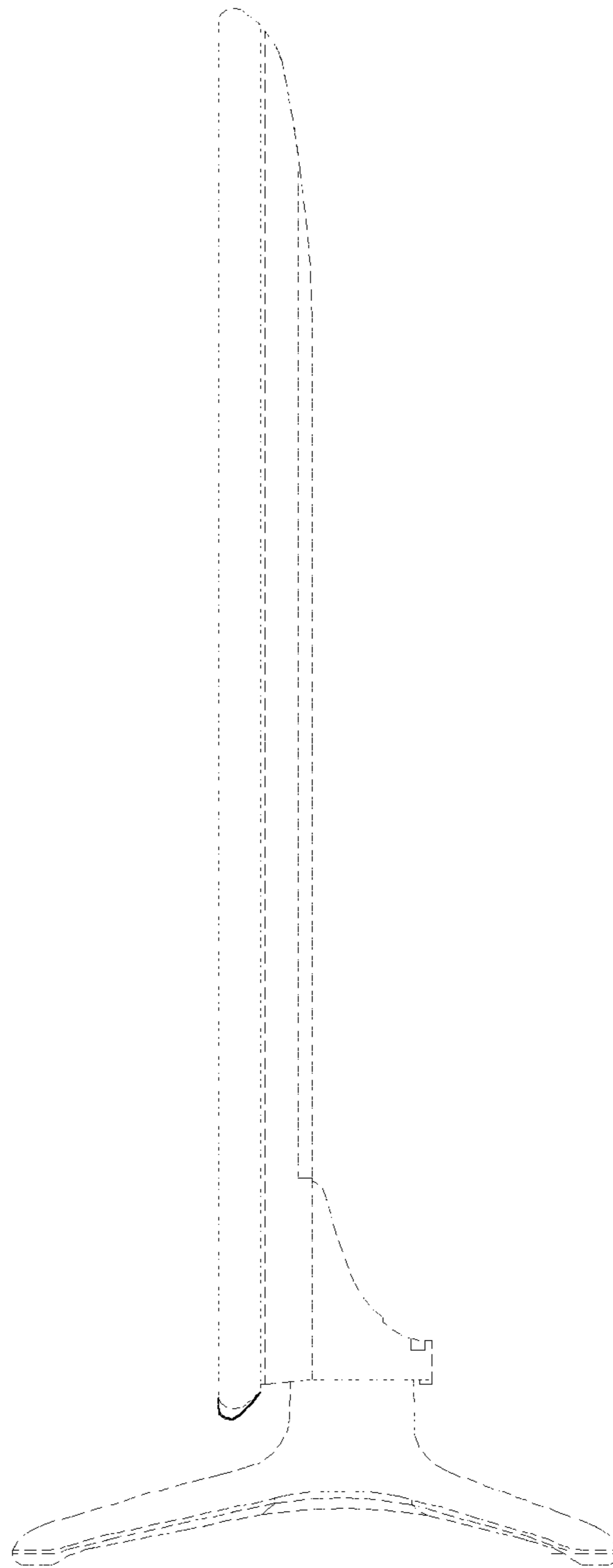
**FIG. 3**



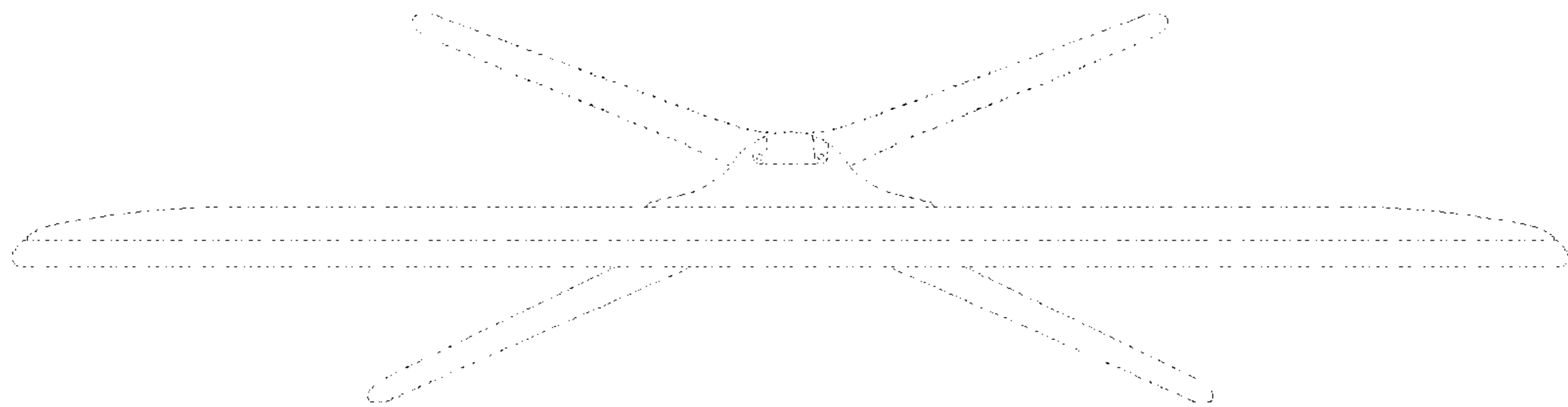
**FIG. 4**



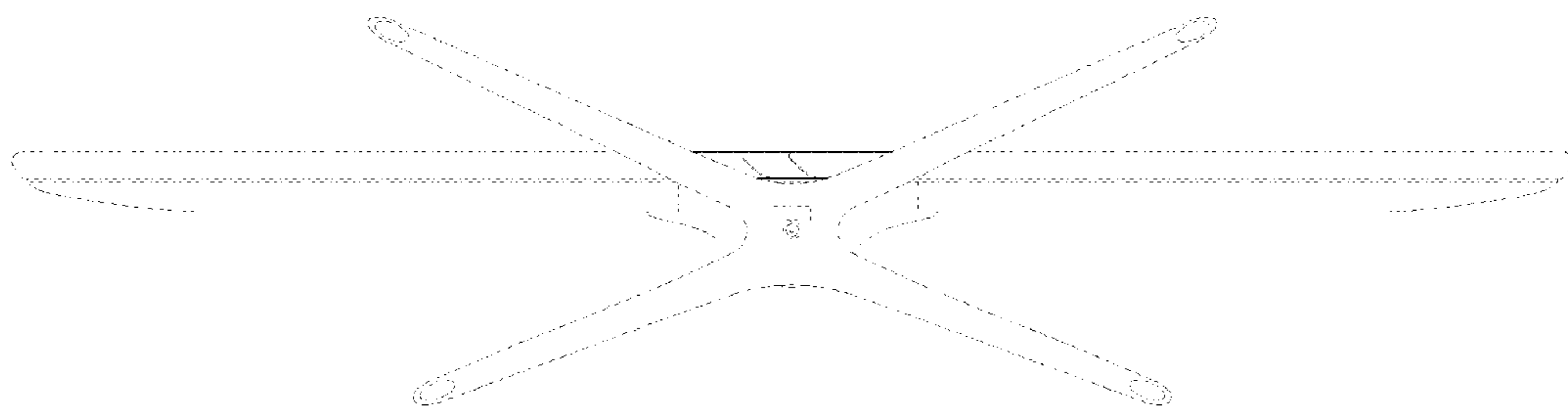
**FIG. 5**



**FIG. 6**



**FIG. 7**



**FIG. 8**

