

US00D737786S

(12) **United States Design Patent**
Loretan et al.

(10) **Patent No.:** **US D737,786 S**

(45) **Date of Patent:** **** Sep. 1, 2015**

(54) **ELECTRONIC HOUSING**

(56) **References Cited**

(71) Applicant: **Comcast Cable Communications, LLC**, Philadelphia, PA (US)

U.S. PATENT DOCUMENTS

(72) Inventors: **Thomas Loretan**, Philadelphia, PA (US); **Edward Grauch**, Philadelphia, PA (US); **Michael Jou**, Philadelphia, PA (US); **Christopher Stone**, Newtown, PA (US); **Ashley Moran**, Philadelphia, PA (US)

D624,912 S *	10/2010	Chen et al.	D14/356
D641,327 S *	7/2011	Falakfarsa et al.	D14/125
D641,363 S *	7/2011	Dublin	D14/356
D643,822 S *	8/2011	Crosby et al.	D14/125
D647,896 S *	11/2011	Chen et al.	D14/314
D648,722 S *	11/2011	Meyerhoffer et al.	D14/346
D653,662 S *	2/2012	Park et al.	D14/358
D655,271 S *	3/2012	Park et al.	D14/188
D692,849 S *	11/2013	Choi	D14/188
D693,798 S *	11/2013	Chuang et al.	D14/240
D701,699 S *	4/2014	Bonacina et al.	D3/304
D705,746 S *	5/2014	Lin et al.	D14/125

(73) Assignee: **Comcast Cable Communications, LLC**, Philadelphia, PA (US)

* cited by examiner

(**) Term: **14 Years**

Primary Examiner — Randall Gholson

(21) Appl. No.: **29/493,416**

(74) *Attorney, Agent, or Firm* — Banner & Witcoff, Ltd.

(22) Filed: **Jun. 9, 2014**

(51) **LOC (10) Cl.** **14-03**

(52) **U.S. Cl.**
USPC **D14/125**

(58) **Field of Classification Search**
USPC D14/125, 357-358, 496, 188, 242, 432;
D13/184; 348/10, 460, 706, 731;
340/825.03; 455/6.1, 6.2; 312/223.1,
312/7.2
CPC H04N 7/00

See application file for complete search history.

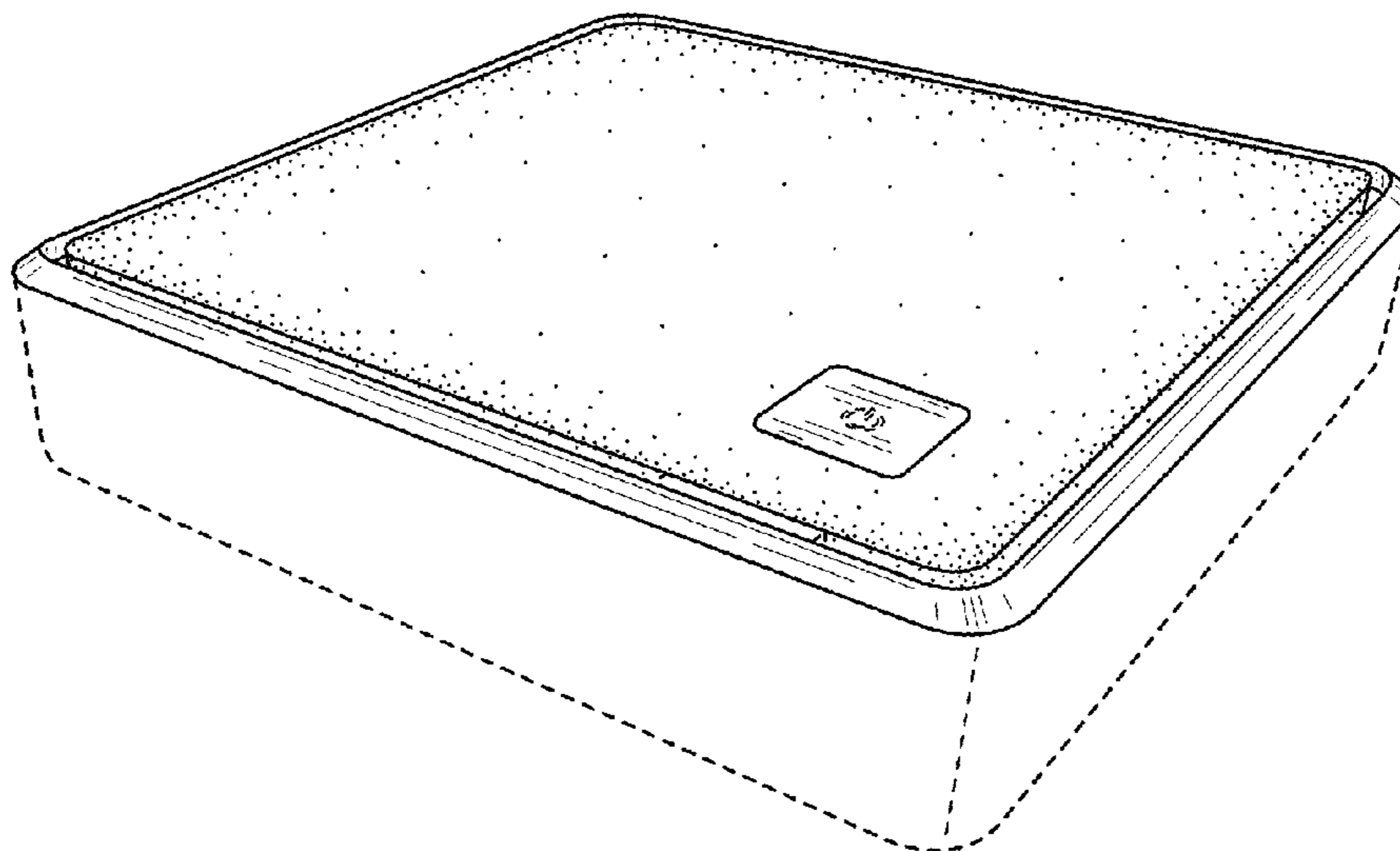
(57) **CLAIM**

The ornamental design for an electronic housing, as shown and described.

DESCRIPTION

FIG. 1 is a front perspective view of an electronic housing showing our new design;
FIG. 2 is a top view thereof;
FIG. 3 is a front view thereof;
FIG. 4 is a rear view thereof;
FIG. 5 is a right side view thereof; and,
FIG. 6 is a left side view thereof.
The broken line showing of various features of the electronic housing is for environmental purposes only and forms no part of the claimed design. The contrast in shading represents a contrast in appearance only and does not represent any particular color, texture or finish.

1 Claim, 3 Drawing Sheets



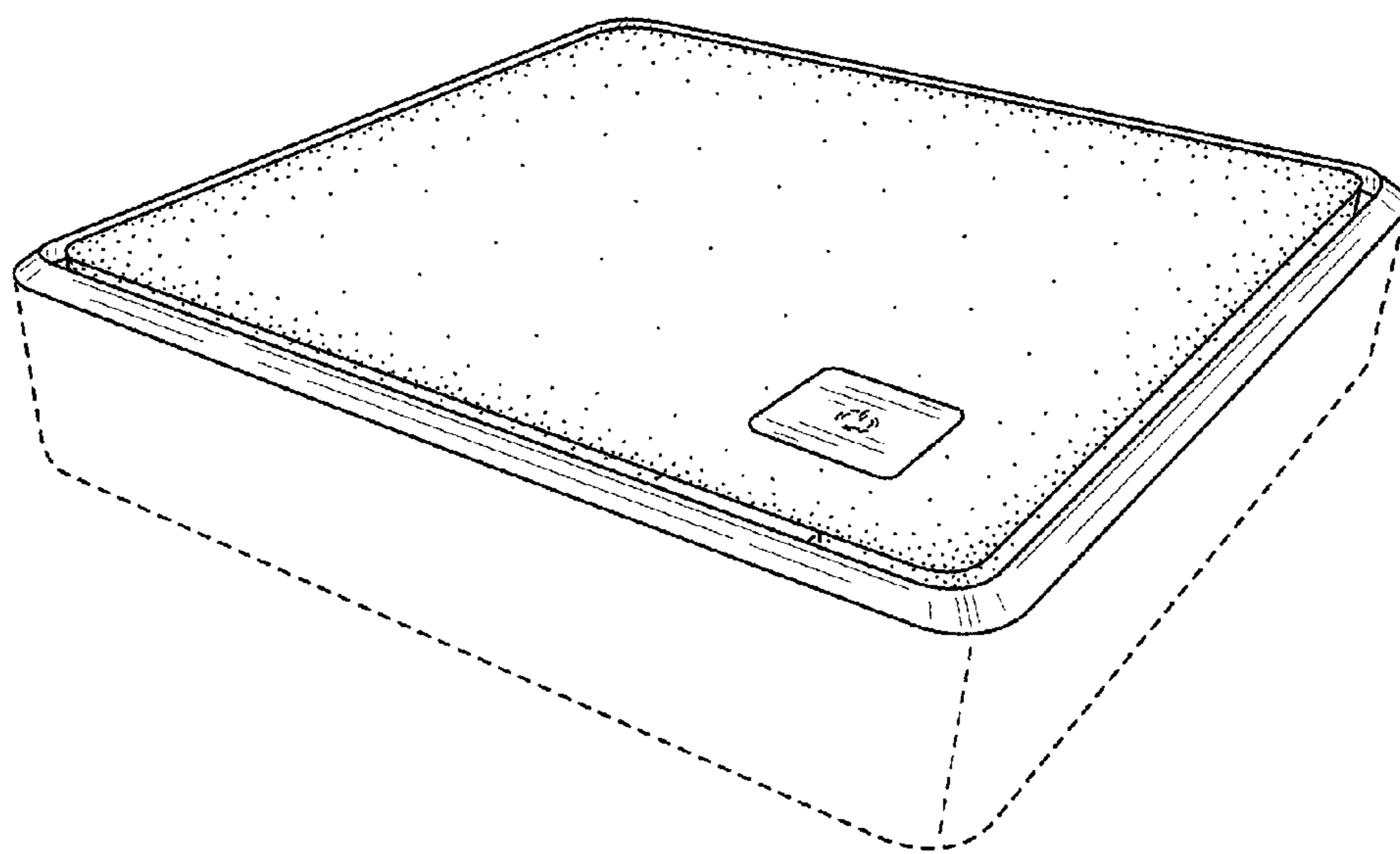


FIG. 1

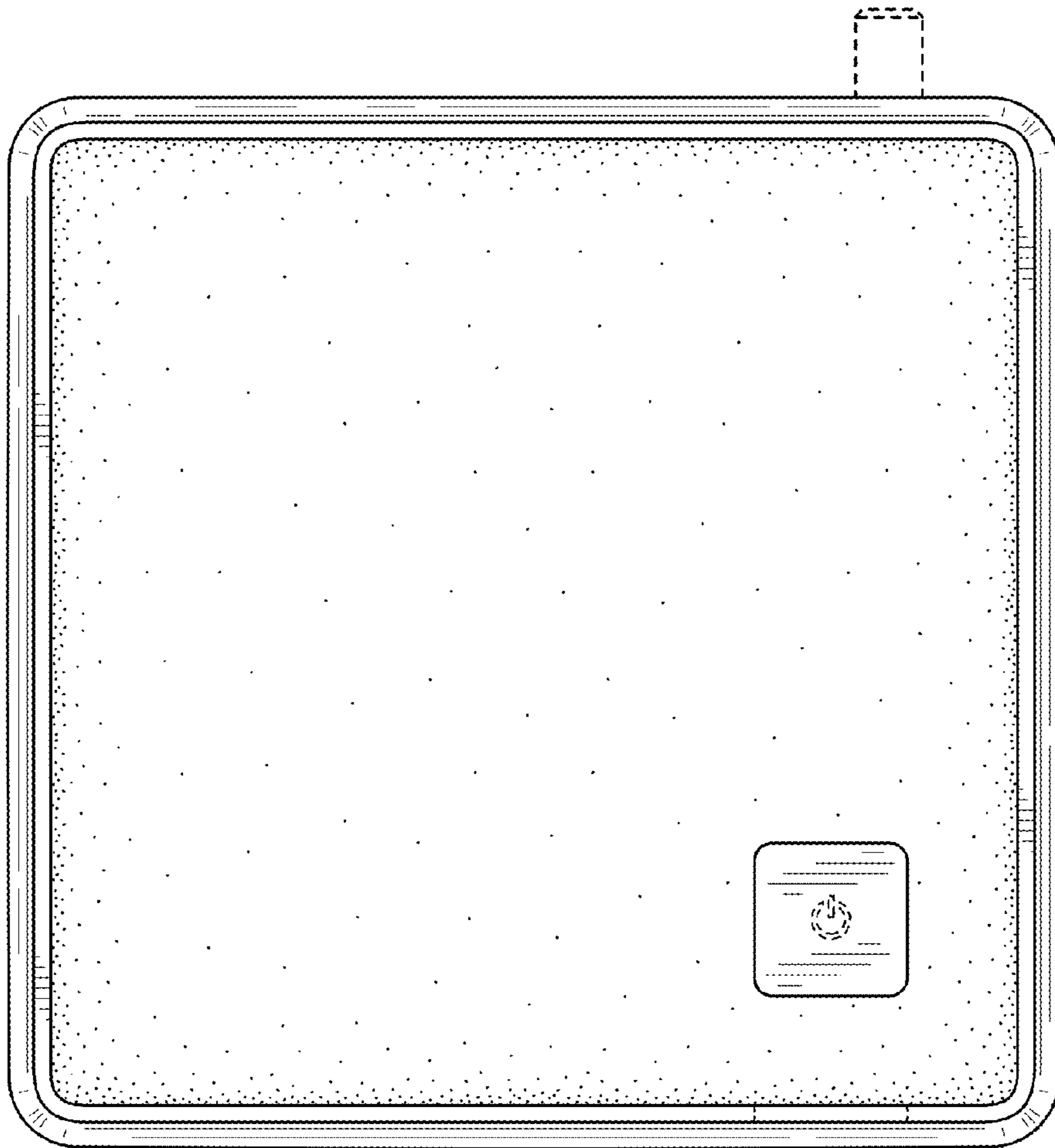


FIG. 2

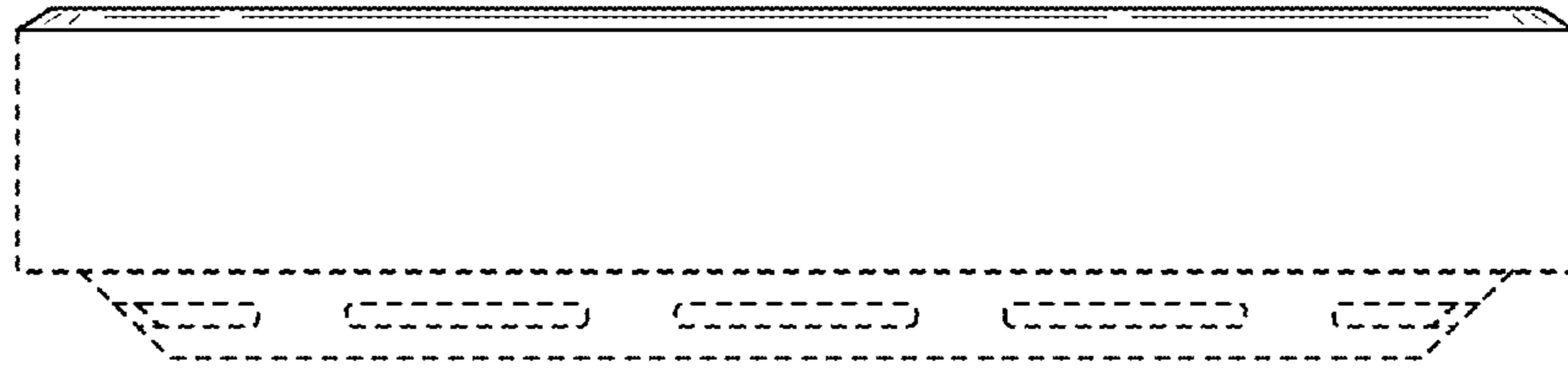


FIG. 3



FIG. 4

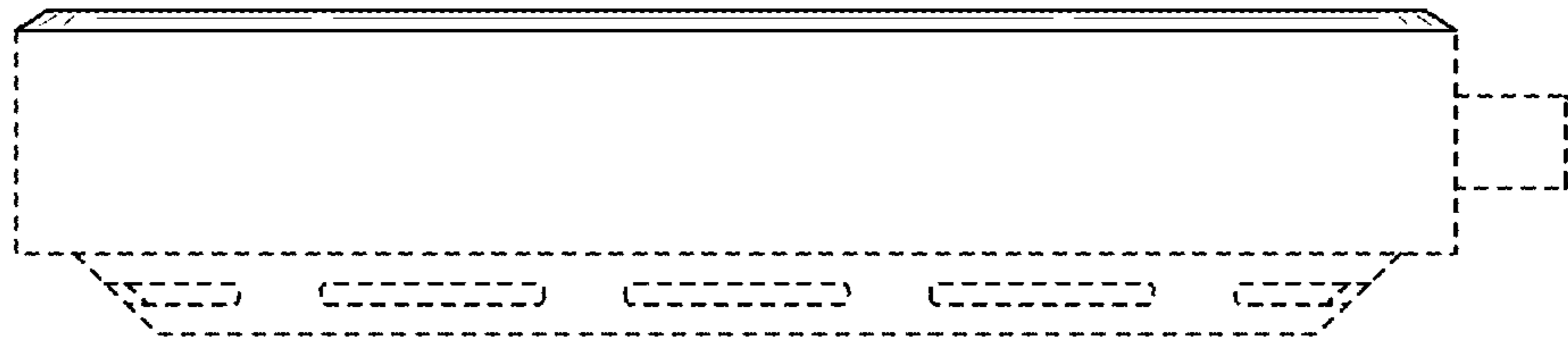


FIG. 5

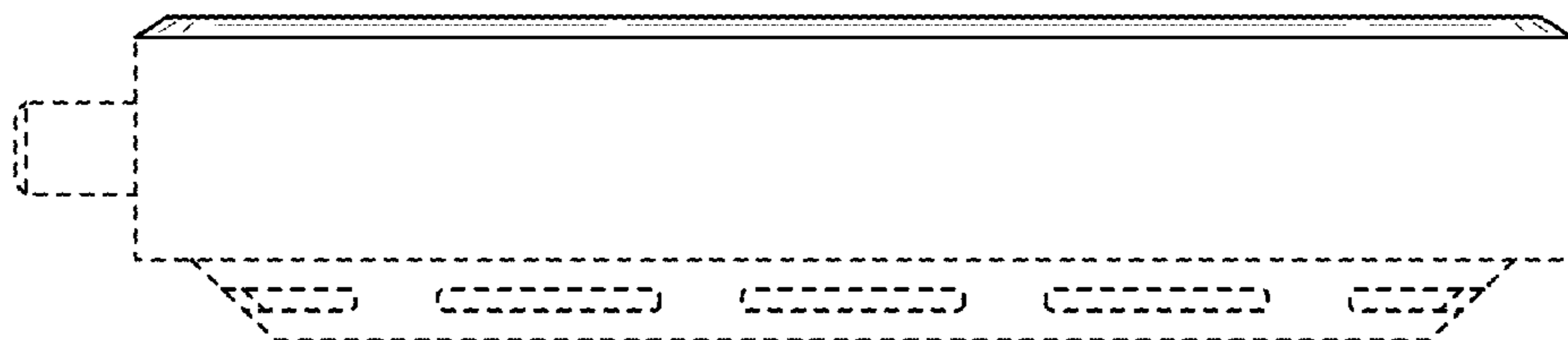


FIG. 6