



US00D737784S

(12) **United States Design Patent**
Song

(10) **Patent No.:** **US D737,784 S**

(45) **Date of Patent:** **** Sep. 1, 2015**

(54) **LED COMPONENT**

(71) Applicant: **Kingbright Electronic Co., Ltd.**, New Taipei (TW)

(72) Inventor: **Wen-Joe Song**, New Taipei (TW)

(73) Assignee: **KINGBRIGHT ELECTRONICS CO., LTD.** (TW)

(**) Term: **14 Years**

(21) Appl. No.: **29/497,911**

(22) Filed: **Jul. 30, 2014**

(51) **LOC (10) Cl.** **13-03**

(52) **U.S. Cl.**
USPC **D13/180**

(58) **Field of Classification Search**
USPC D13/180; D26/1
CPC ... H01L 25/167; H01L 25/0753; H01L 27/15;
H01L 27/156; H01L 31/02; H01L 33/00;
H01L 33/04; H01L 33/08; H01L 33/10;
H01L 33/20; H01L 33/38; H01L 33/42;
H01L 33/48; H01L 33/483; H01L 33/486
See application file for complete search history.

(56) **References Cited**

U.S. PATENT DOCUMENTS

| | | | | | |
|-----------|------|--------|-----------------|-------|---------|
| 6,777,719 | B1 * | 8/2004 | Fujii | | 257/99 |
| 6,847,116 | B2 * | 1/2005 | Isokawa | | 257/736 |
| 7,002,185 | B2 * | 2/2006 | Isokawa | | 257/99 |
| D609,653 | S * | 2/2010 | Watanabe et al. | | D13/180 |
| 7,675,087 | B1 * | 3/2010 | Cheng et al. | | 257/99 |
| D619,977 | S * | 7/2010 | Ni et al. | | D13/180 |
| D624,511 | S * | 9/2010 | Watanabe et al. | | D13/180 |

| | | | | | |
|--------------|------|---------|----------------|-------|---------|
| D640,644 | S * | 6/2011 | Tsou | | D13/180 |
| 8,089,092 | B2 * | 1/2012 | Tanaka | | 257/99 |
| 8,222,653 | B2 * | 7/2012 | Tsuchiya | | 257/91 |
| D671,506 | S * | 11/2012 | Lee et al. | | D13/180 |
| D671,507 | S * | 11/2012 | Lee et al. | | D13/180 |
| D672,324 | S * | 12/2012 | Lee et al. | | D13/180 |
| D672,732 | S * | 12/2012 | Lee et al. | | D13/180 |
| D724,549 | S * | 3/2015 | Song | | D13/180 |
| D724,550 | S * | 3/2015 | Song | | D13/180 |
| 2007/0246731 | A1 * | 10/2007 | Isokawa et al. | | 257/99 |
| 2009/0045428 | A1 * | 2/2009 | Lin | | 257/99 |

* cited by examiner

Primary Examiner — Selina Sikder

(74) *Attorney, Agent, or Firm* — Roger H. Chu

(57) **CLAIM**

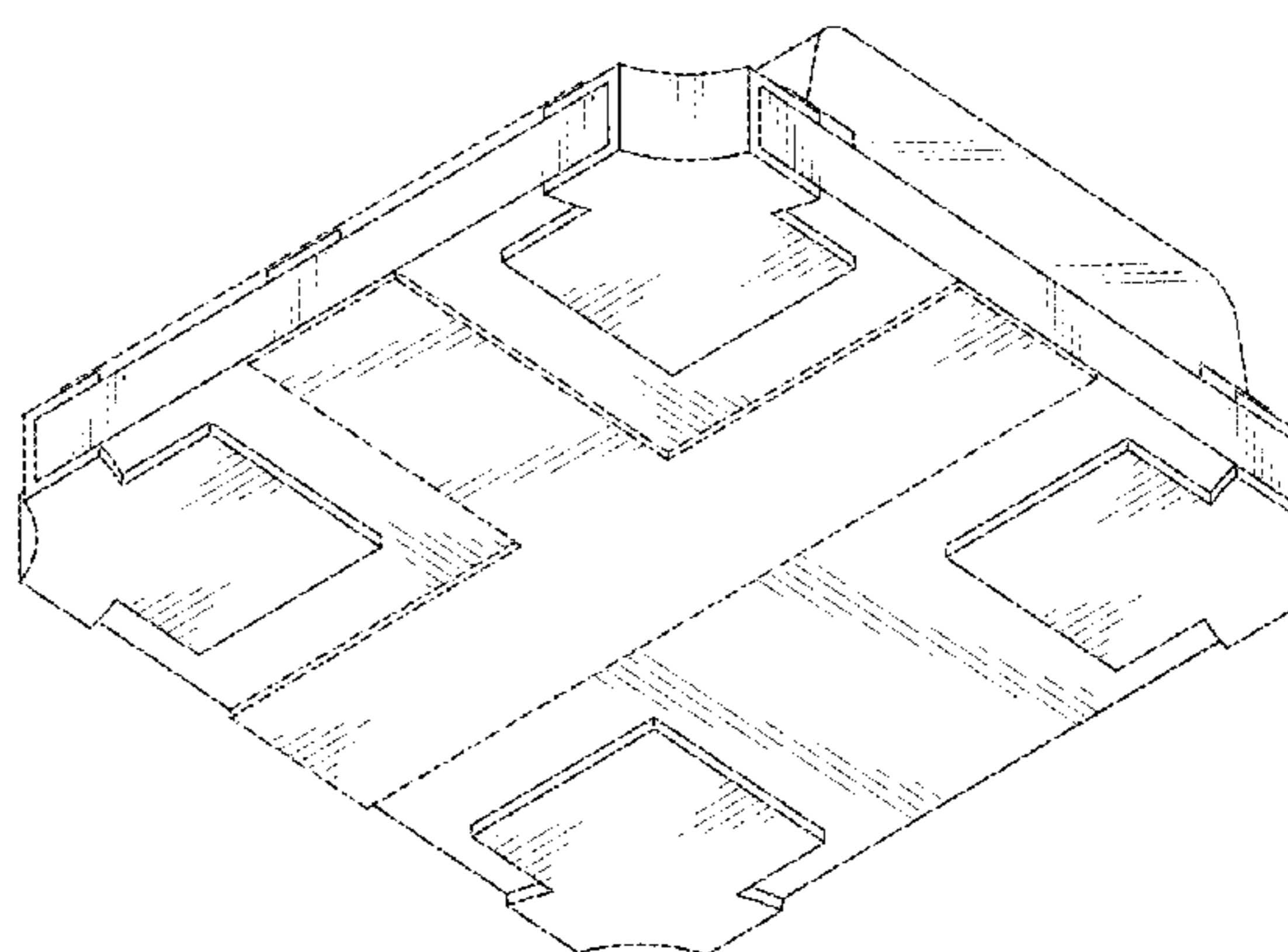
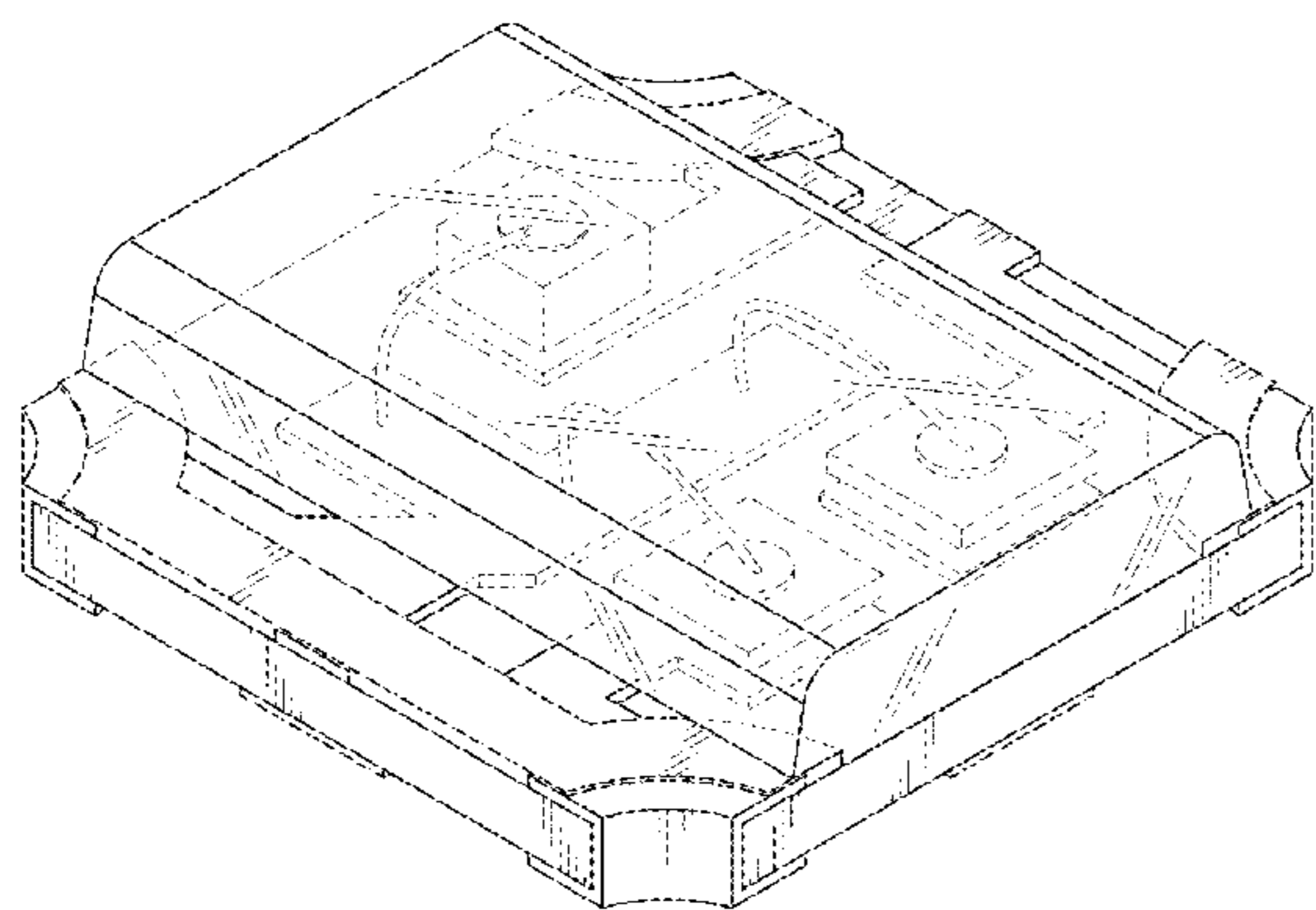
The ornamental design for a LED component, as shown and described.

DESCRIPTION

FIG. 1 is a top, front and left side perspective view of a LED component showing my design;
FIG. 2 is a front elevation view thereof;
FIG. 3 is a rear elevation view thereof
FIG. 4 is a left side elevation view thereof
FIG. 5 is a right side elevation view thereof;
FIG. 6 is a top plan view thereof;
FIG. 7 is a bottom plan view thereof; and,
FIG. 8 is a bottom, front and right side perspective view thereof.

The broken line showing in the embodiments of FIGS. 1-8 are for illustrative purposes only and forms no part of the claimed design. The top layer can have be visually transparent or translucent as shown in the embodiments of FIGS. 1-8.

1 Claim, 6 Drawing Sheets



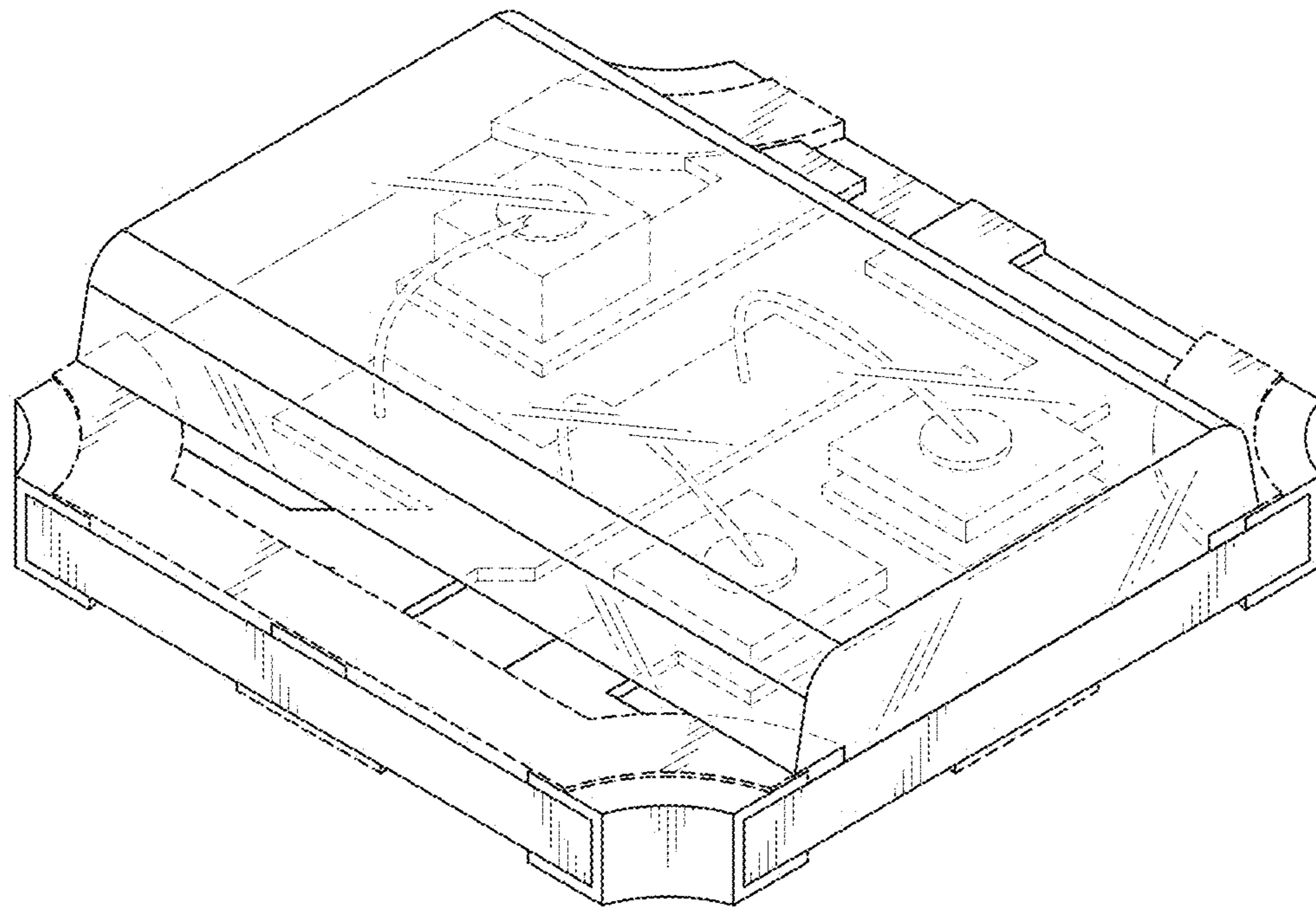


FIG. 1

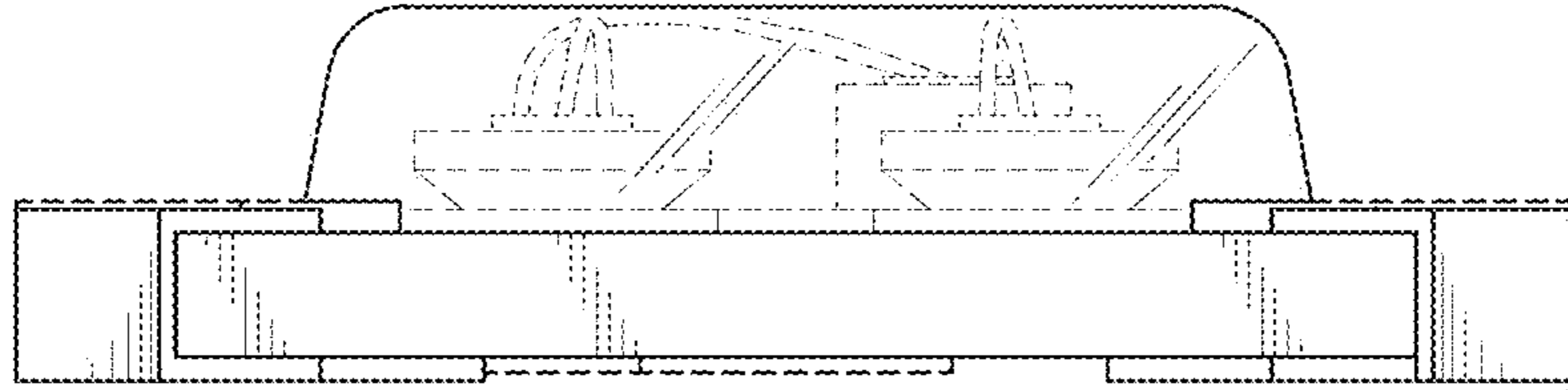


FIG. 2

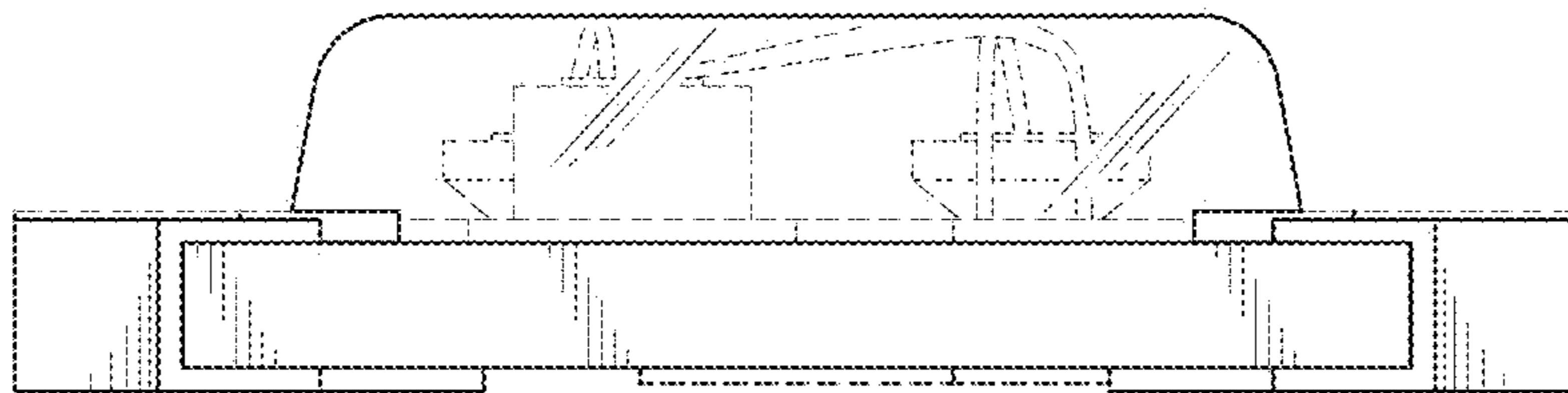


FIG. 3

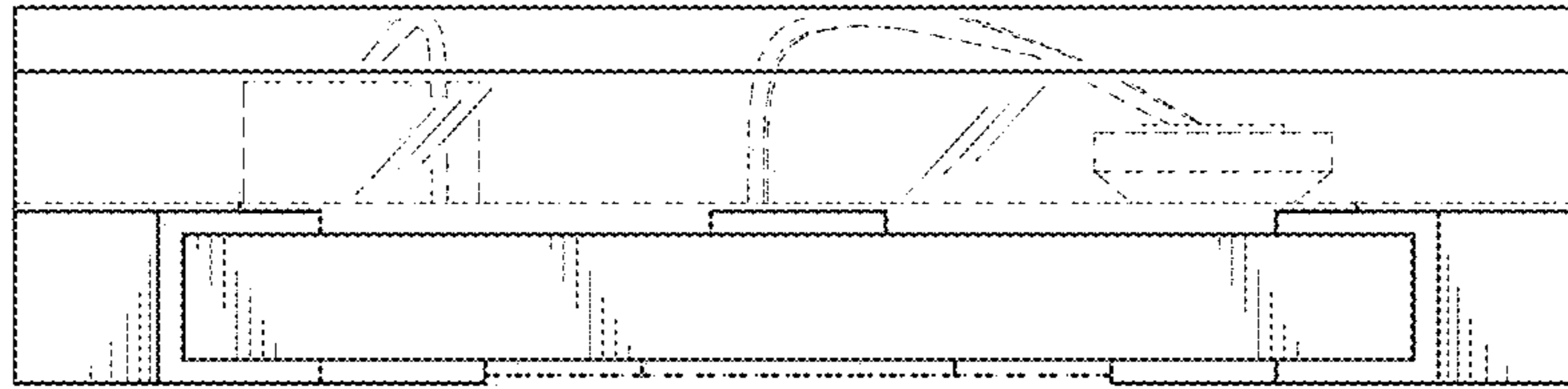


FIG. 4

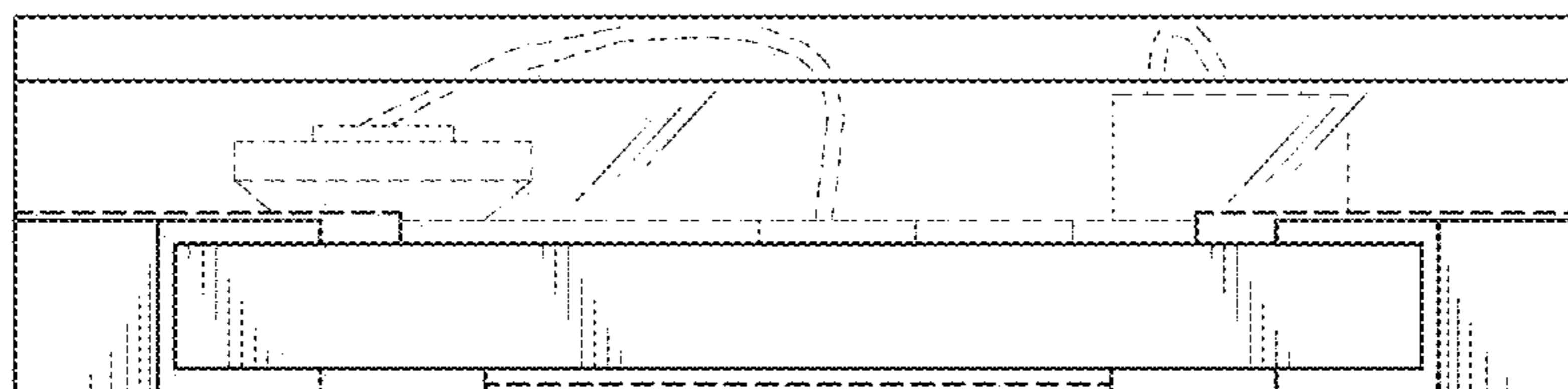


FIG. 5

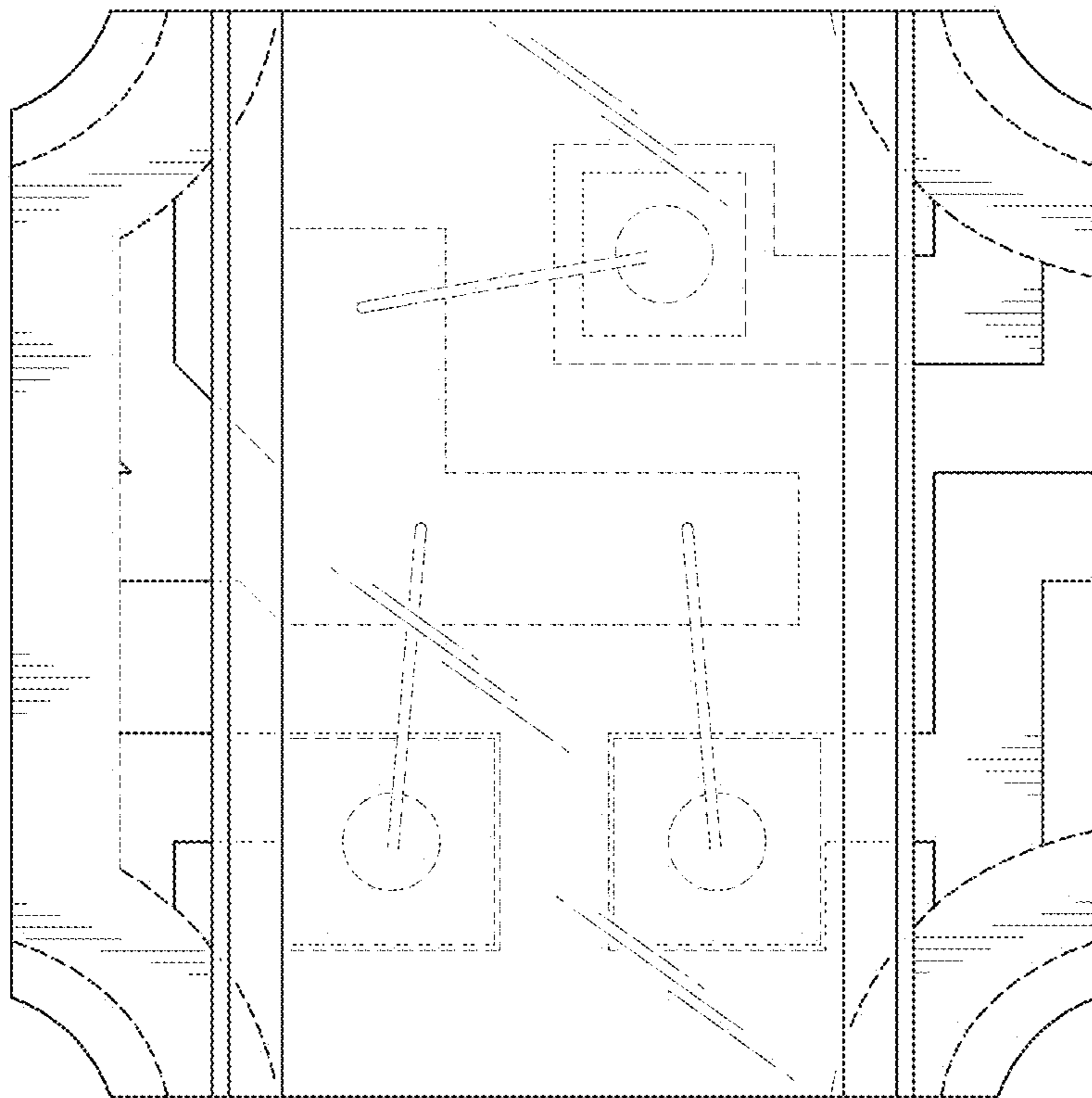


FIG. 6

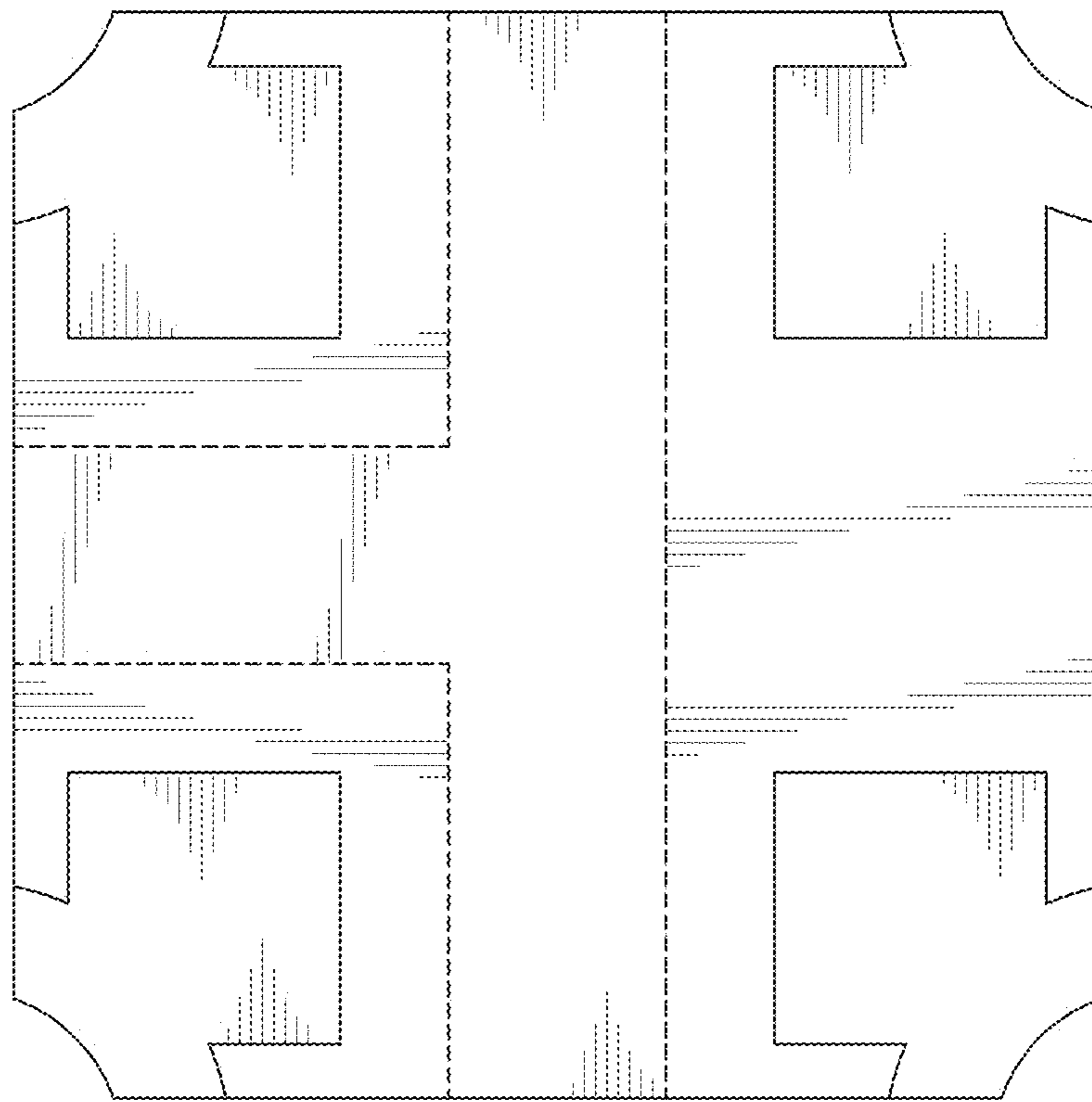


FIG. 7

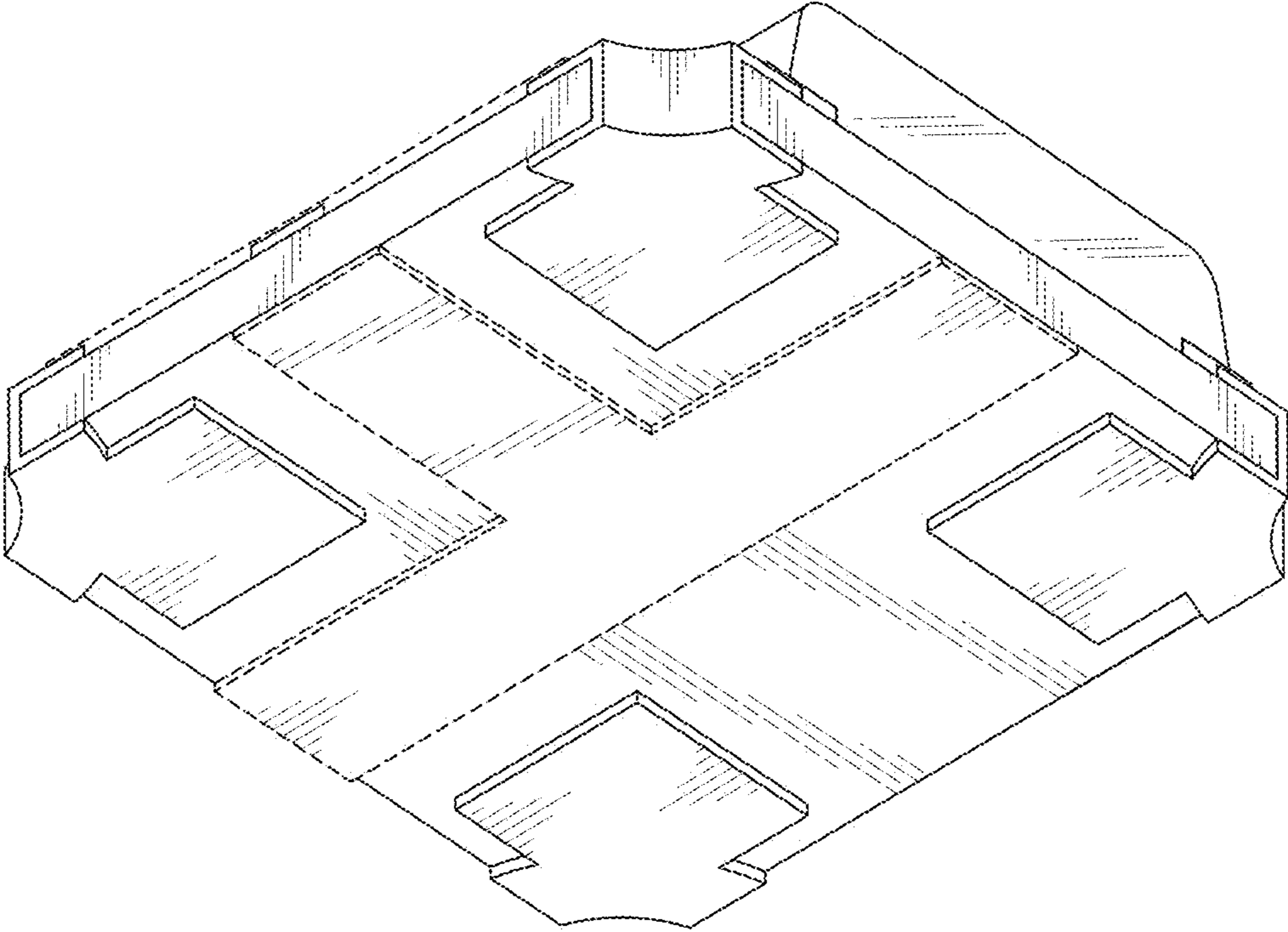


FIG. 8