



US00D737783S

(12) **United States Design Patent**
Smith

(10) **Patent No.:** **US D737,783 S**
(45) **Date of Patent:** **** Sep. 1, 2015**

(54) **INSIDE CORNER PULL ELBOW FITTING**
(71) Applicant: **Bridgeport Fittings, Inc.**, Stratford, CT (US)
(72) Inventor: **Lawrence J. Smith**, Stamford, CT (US)
(73) Assignee: **BRIDGEPORT FITTINGS, INC.**, Stratford, CT (US)

(**) Term: **14 Years**

(21) Appl. No.: **29/500,765**

(22) Filed: **Aug. 28, 2014**

(51) **LOC (10) Cl.** **13-03**

(52) **U.S. Cl.**
USPC **D13/155**

(58) **Field of Classification Search**
USPC D13/155, 123, 133, 153, 154, 156, 184, D13/199; D8/349, 354, 380; D23/259, 262; 138/162; 174/71 R, 72 C, 74 R, 481, 174/503, 504, 660, 665, 667, 668; 385/134, 385/136, 137; 403/83, 92, 403
CPC H02G 3/00; H02G 3/04; H02G 3/0437
See application file for complete search history.

(56) **References Cited**

U.S. PATENT DOCUMENTS

1,669,447 A	5/1928	Boyton et al.	
1,887,192 A	11/1932	Betts, Jr.	
1,914,011 A	6/1933	Eccles	
2,955,851 A	10/1960	Scott	
3,074,459 A	1/1963	Pavia	
4,423,284 A	12/1983	Kaplan	
4,508,371 A	4/1985	Maier	
4,602,124 A *	7/1986	Santucci	174/101
4,796,865 A	1/1989	Marchetti	
4,867,334 A	9/1989	Robertson et al.	
4,951,716 A *	8/1990	Tsunoda et al.	138/162
5,016,924 A	5/1991	Lin	

5,161,580 A	11/1992	Klug	
D334,380 S	3/1993	Henneberger	
5,316,243 A	5/1994	Henneberger	
5,469,893 A	11/1995	Caveney et al.	
5,533,763 A	7/1996	Neuhof	
5,917,982 A	6/1999	Vargas et al.	
D413,306 S	8/1999	Scherer et al.	
5,995,699 A	11/1999	Vargas et al.	
6,037,543 A *	3/2000	Nicoli et al.	174/72 R
6,188,024 B1 *	2/2001	Benito-Navazo	174/97
D447,737 S *	9/2001	Scherer et al.	D13/155
6,496,642 B2	12/2002	Gonzalez et al.	
6,523,791 B2	2/2003	Bernard et al.	
6,637,777 B2	10/2003	Zimmerman et al.	
6,838,615 B2	1/2005	Pyron	
6,885,805 B2	4/2005	Asada	
7,223,925 B2	5/2007	Ewer et al.	
7,226,022 B2	6/2007	Bernard et al.	

(Continued)

FOREIGN PATENT DOCUMENTS

GB 2 243 027 A 10/1991

Primary Examiner — Derrick Holland

(74) *Attorney, Agent, or Firm* — Ware, Freesola, Maguire & Barber LLP

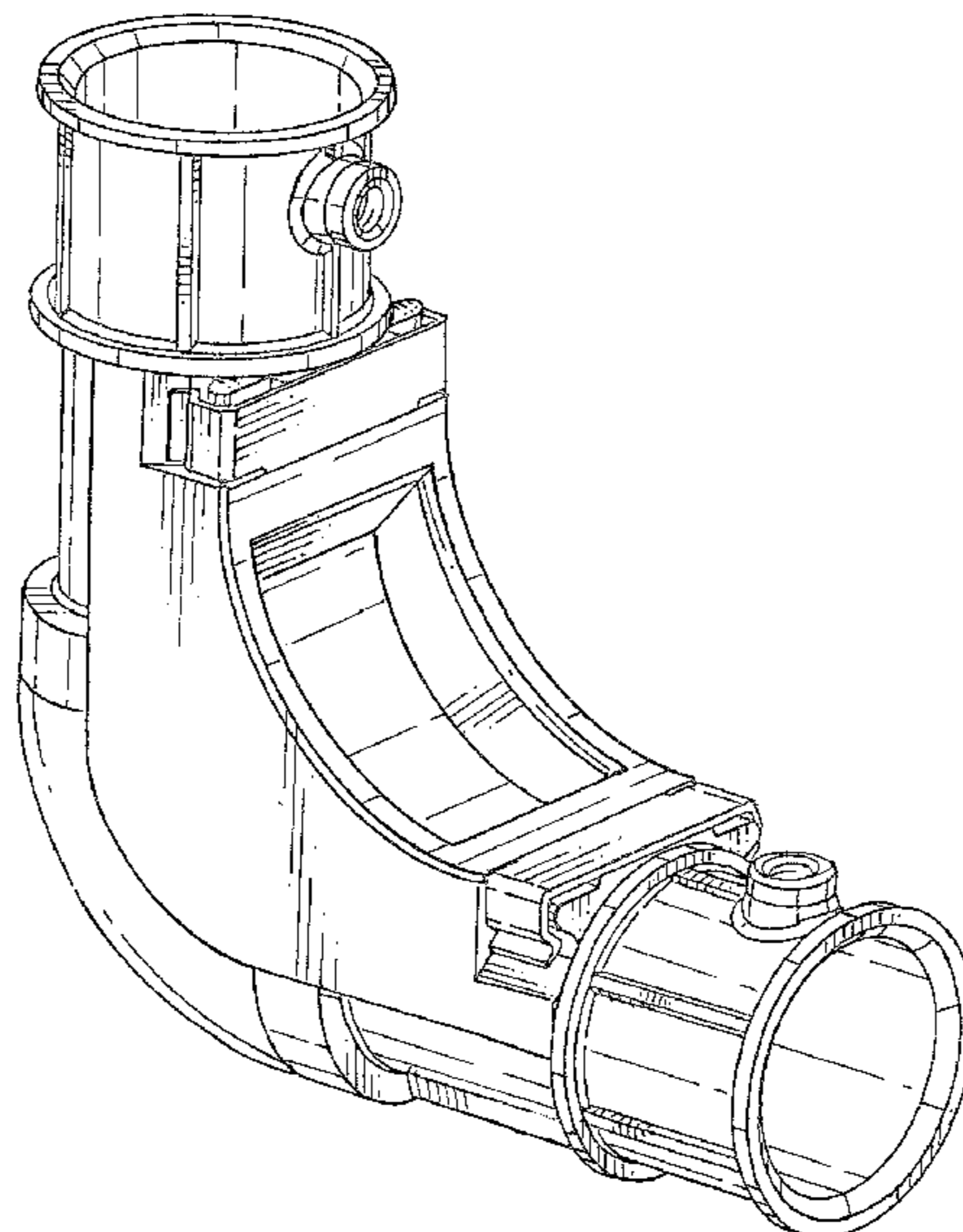
(57) **CLAIM**

The ornamental design for an inside corner pull elbow fitting, as shown and described.

DESCRIPTION

FIG. 1 is a front perspective view of an inside corner pull elbow fitting showing my new design; FIG. 2 is a left side view thereof, the right side view being a mirror image thereof; FIG. 3 is a bottom view thereof; FIG. 4 is a rear view thereof; FIG. 5 is a front view thereof; and, FIG. 6 is a top view thereof.

1 Claim, 3 Drawing Sheets



(56)

References Cited

U.S. PATENT DOCUMENTS

7,332,675 B2 2/2008 Galasso
7,671,277 B2 3/2010 Hill et al.

8,513,559 B2 8/2013 Brandstrom
2005/0217883 A1* 10/2005 Ewer et al. 174/49
2005/0241846 A1 11/2005 Finn et al.

* cited by examiner

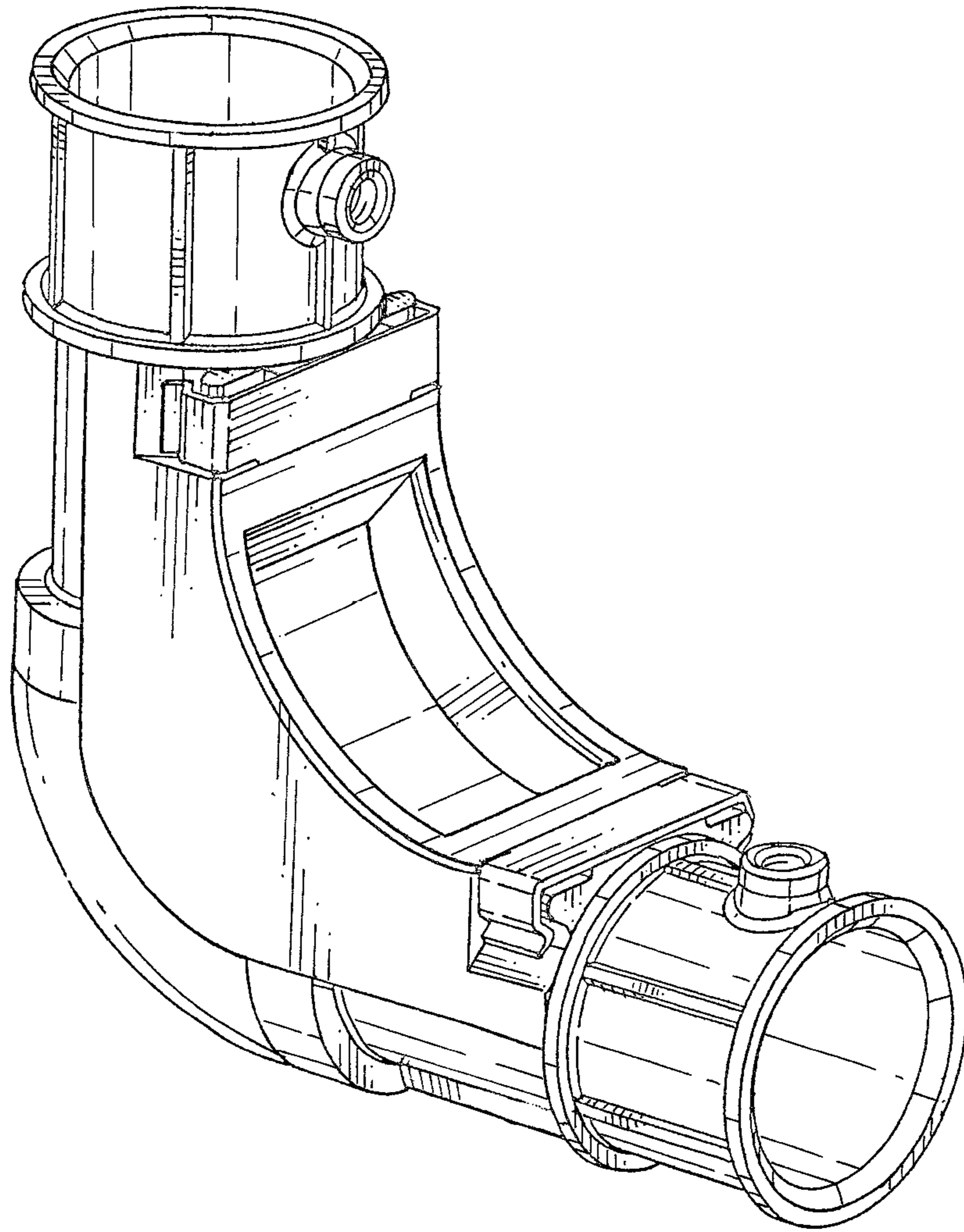


FIG. 1

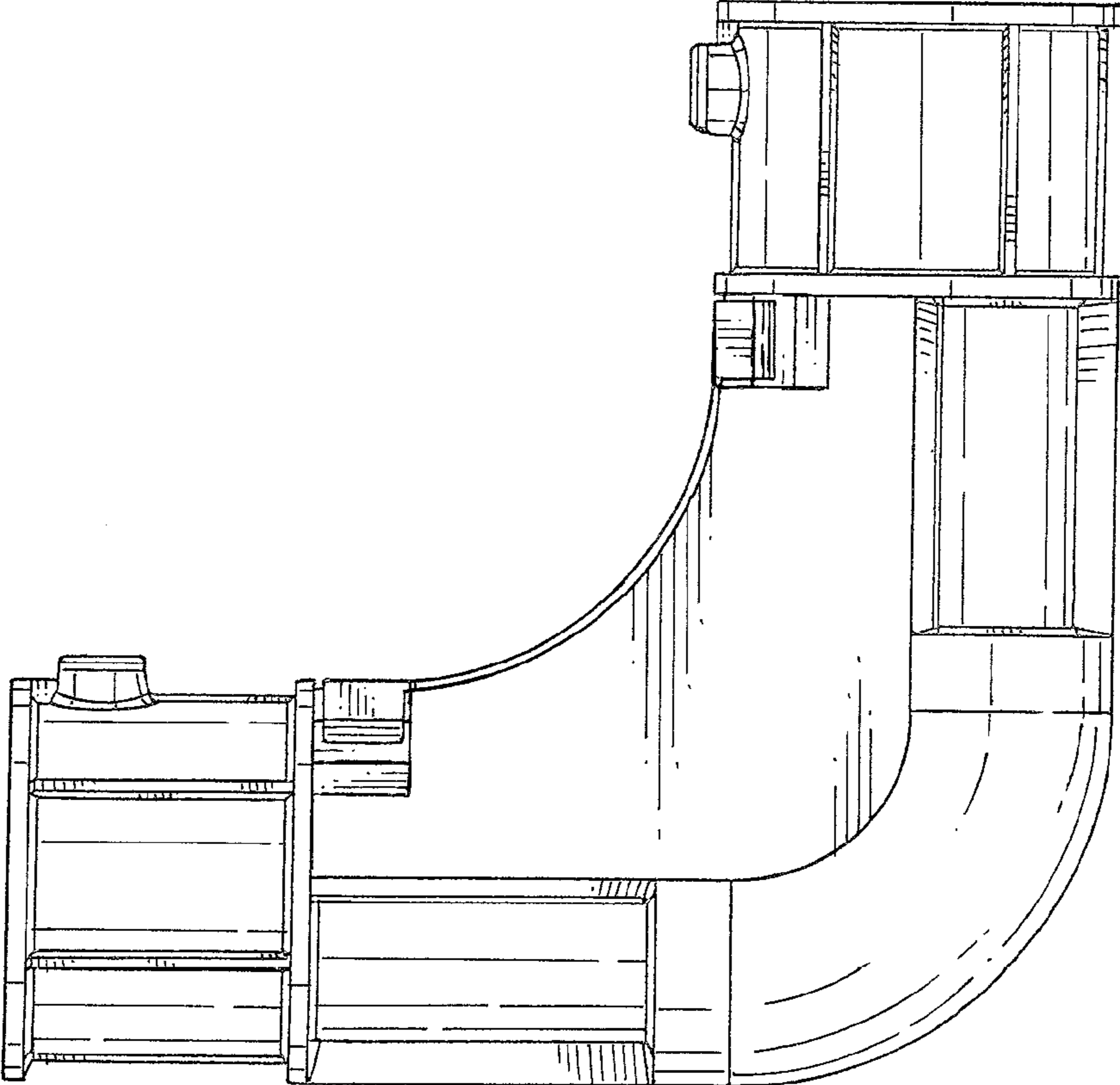


FIG. 2

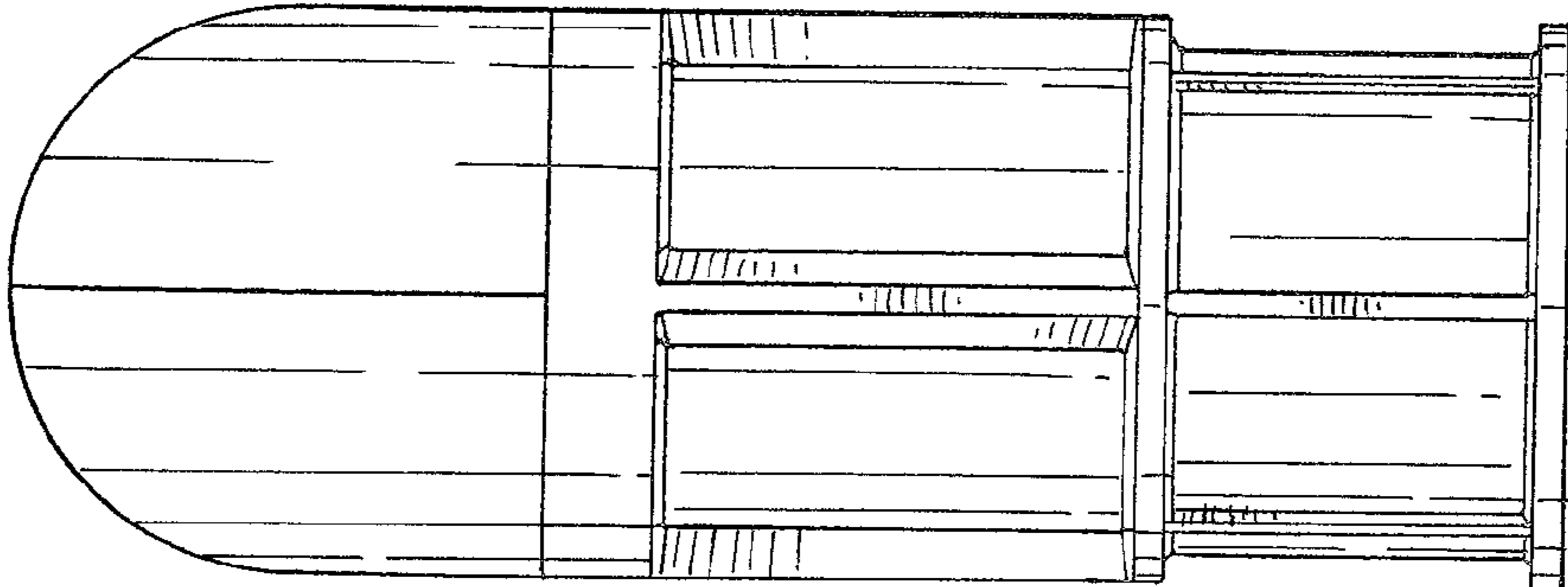


FIG. 3

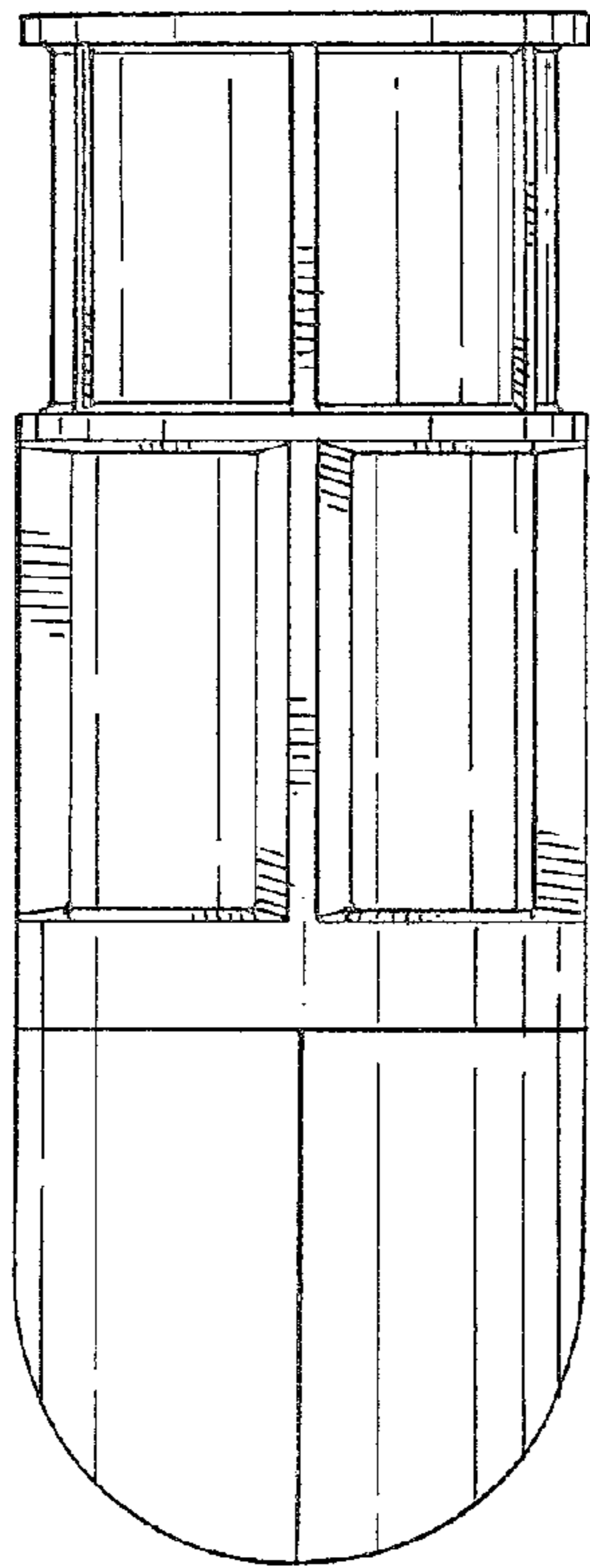


FIG. 4

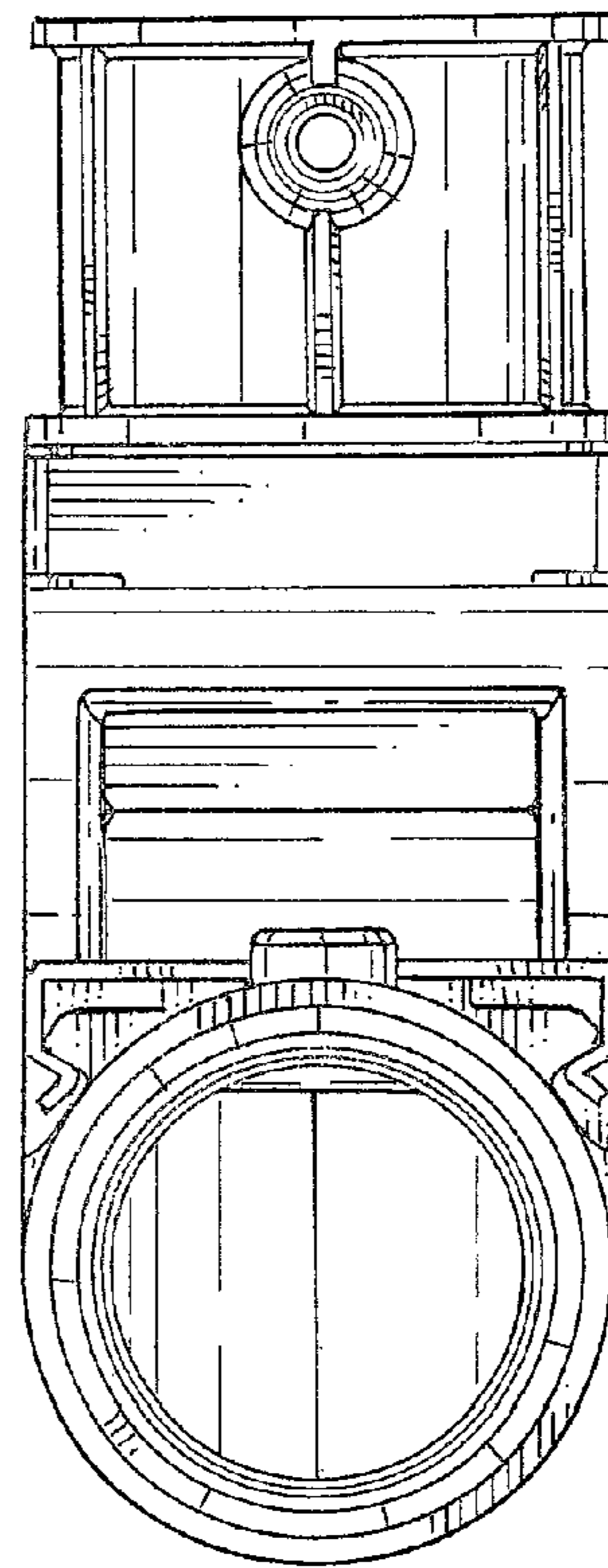


FIG. 5

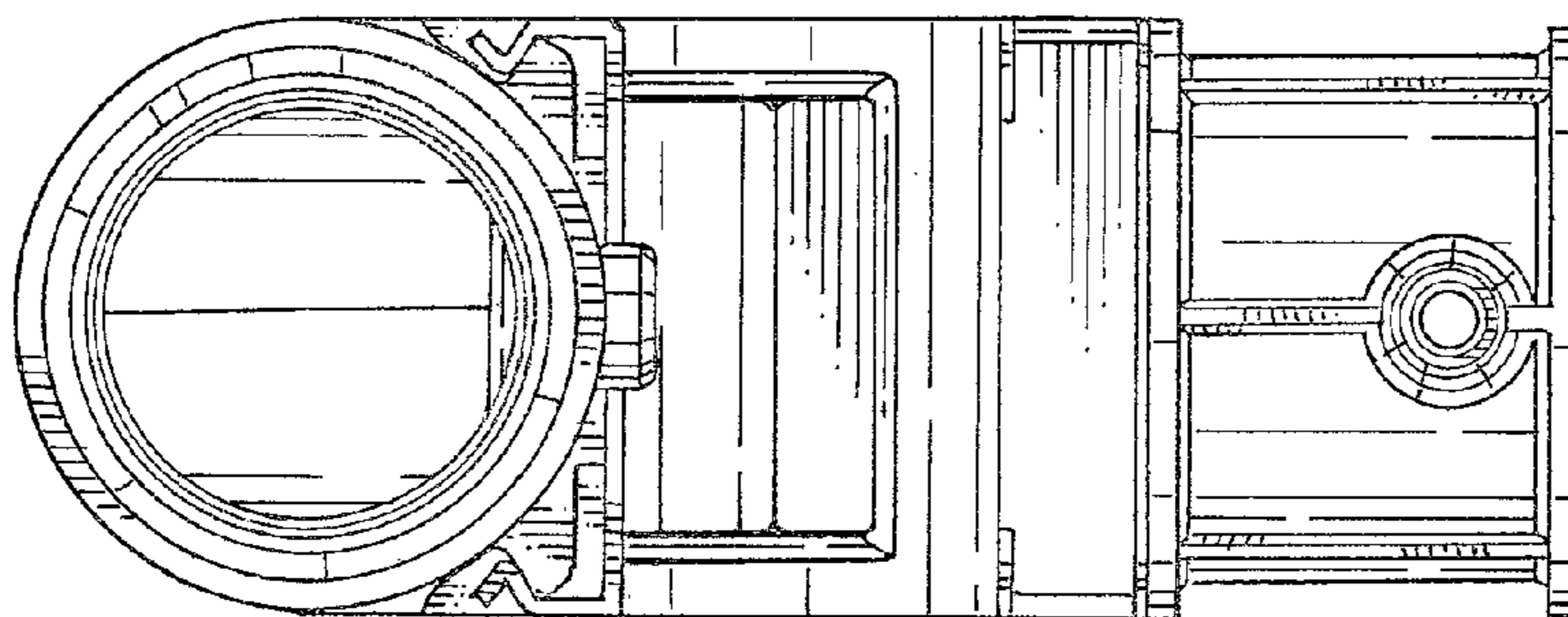


FIG. 6