



US00D737776S

(12) **United States Design Patent**  
**Chen et al.**

(10) **Patent No.:** **US D737,776 S**  
(45) **Date of Patent:** **\*\* Sep. 1, 2015**

(54) **CONNECTOR**

(71) Applicant: **IDEAL INDUSTRIES, INC.**,  
Sycamore, IL (US)

(72) Inventors: **Mu Chen**, Andover, MA (US); **Brian Francis Davies**, Acton, MA (US)

(73) Assignee: **IDEAL Industries, Inc.**, Sycamore, IL (US)

(\*\*) Term: **14 Years**

(21) Appl. No.: **29/484,257**

(22) Filed: **Mar. 7, 2014**

(51) **LOC (10) Cl.** ..... **13-03**

(52) **U.S. Cl.**  
USPC ..... **D13/146**

(58) **Field of Classification Search**  
USPC ..... D13/146, 147, 154, 184, 199; 439/266,  
439/345, 350, 352, 357, 358, 595, 626, 660,  
439/677, 680, 682, 752  
See application file for complete search history.

(56) **References Cited**

**U.S. PATENT DOCUMENTS**

D366,242 S \* 1/1996 Goto ..... D13/147  
D451,886 S \* 12/2001 Goto ..... D13/147  
D457,194 S \* 5/2002 Goto ..... D21/333

D479,199 S \* 9/2003 Jones et al. .... D13/147  
D483,017 S \* 12/2003 Goto ..... D13/147  
D646,223 S \* 10/2011 Gouhl et al. .... D13/146  
D653,620 S \* 2/2012 Gouhl et al. .... D13/146  
D660,801 S \* 5/2012 Smith ..... D13/146

\* cited by examiner

*Primary Examiner* — Daniel Bui

(74) *Attorney, Agent, or Firm* — Greenberg Traurig, LLP

(57) **CLAIM**

An ornamental design for a connector, as shown and described.

**DESCRIPTION**

FIG. 1 is a front perspective view of a connector showing our new invention;

FIG. 2 is a rear perspective view thereof;

FIG. 3 is a front view thereof;

FIG. 4 is a rear view thereof;

FIG. 5 is a top plan view thereof;

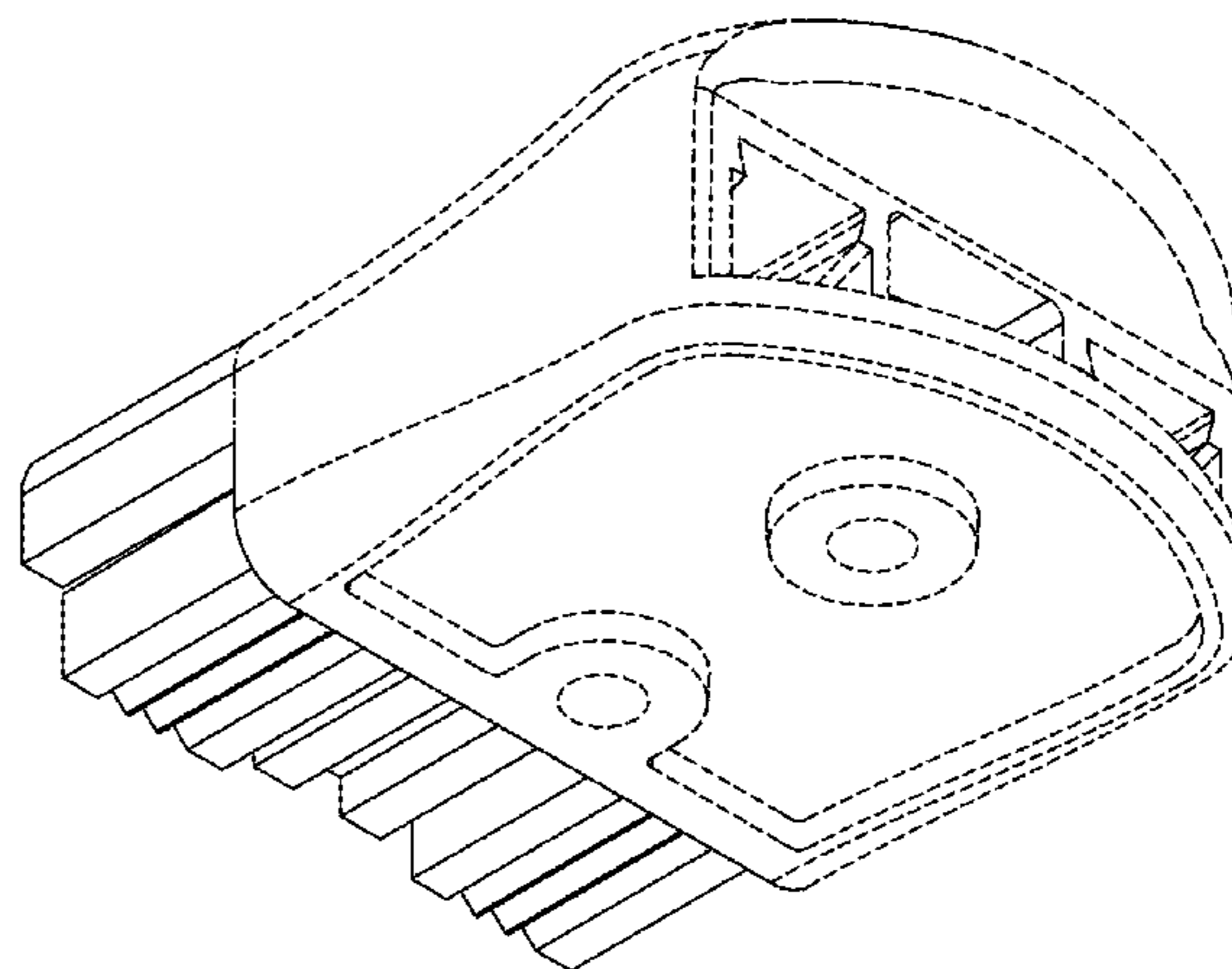
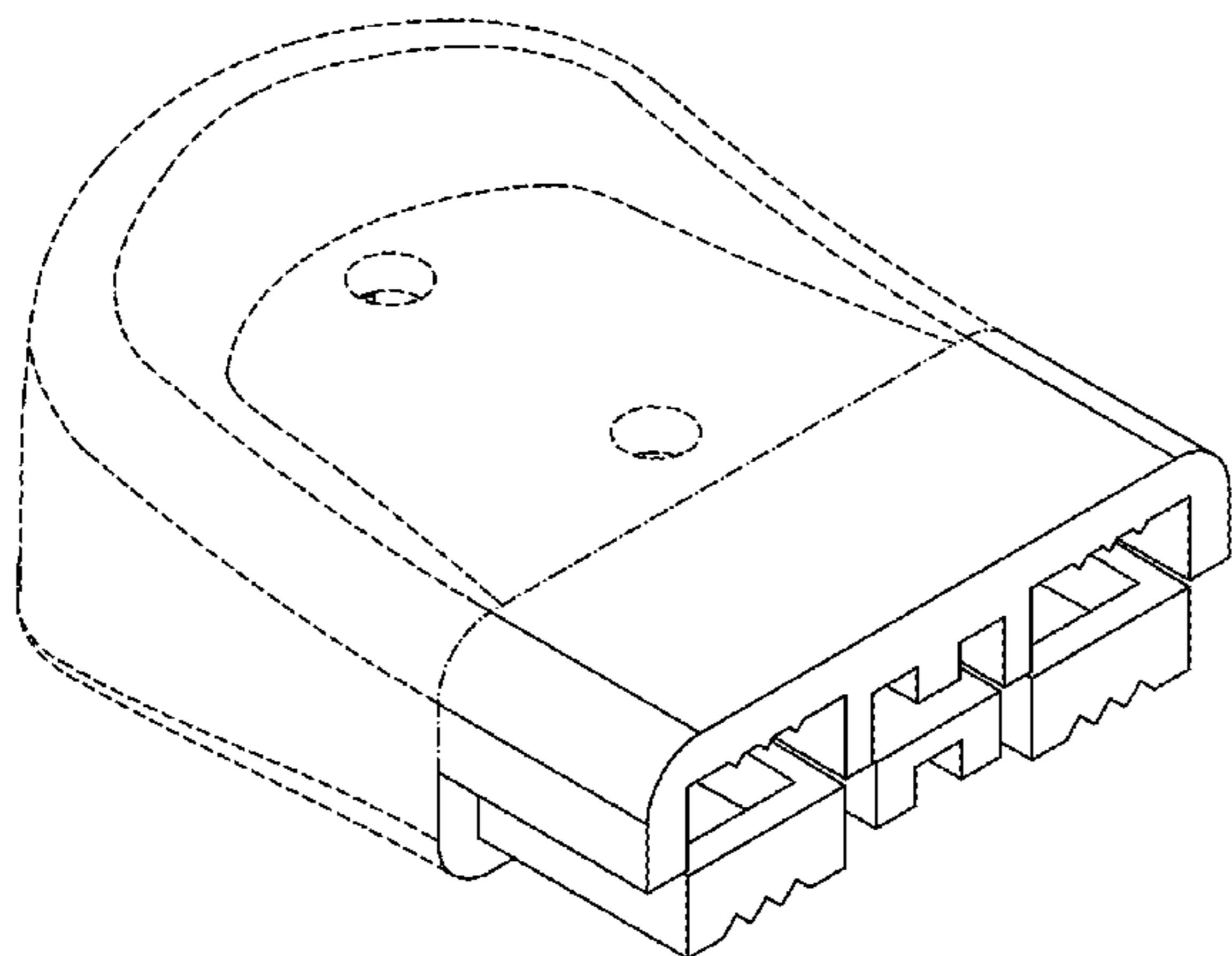
FIG. 6 is a bottom plan view thereof;

FIG. 7 is a left side view thereof; and,

FIG. 8 is a right side view thereof.

The broken lines shown in the drawings represents unclaimed environment and form no parts of the claimed design, the dotted lines also represent the boundaries of the claimed design. The dash-dot line represents the boundaries of the claimed design.

**1 Claim, 8 Drawing Sheets**



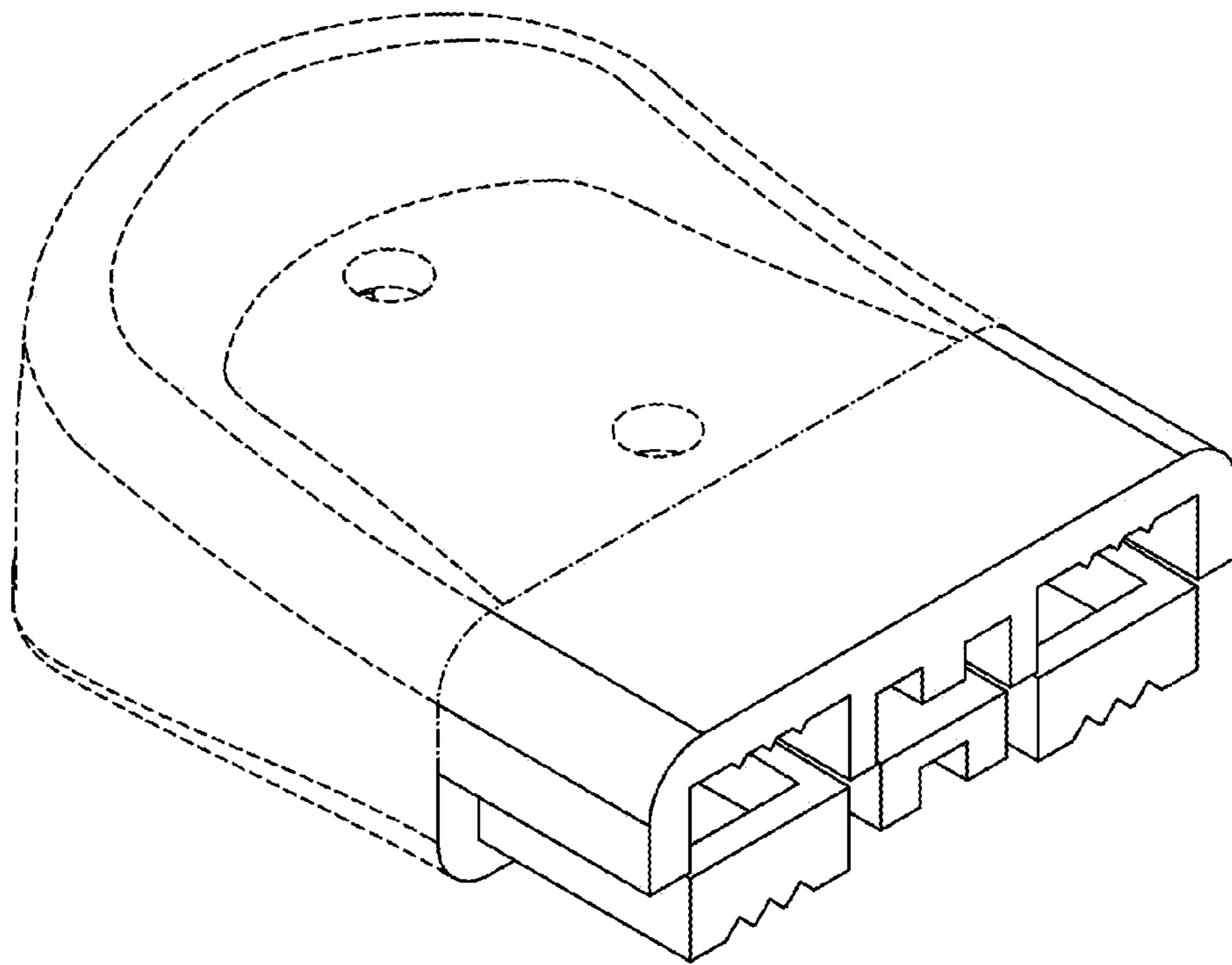


FIG. 1

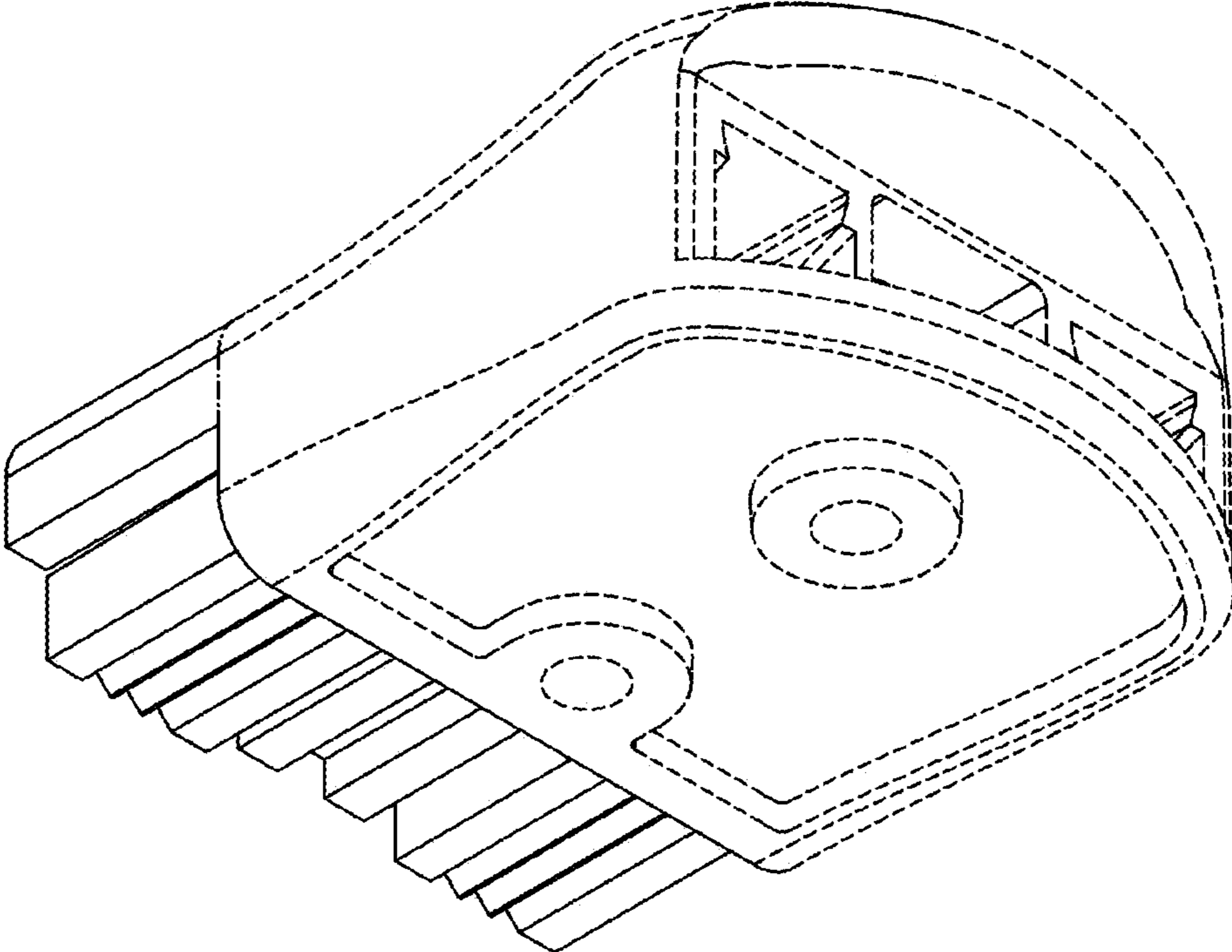


FIG. 2

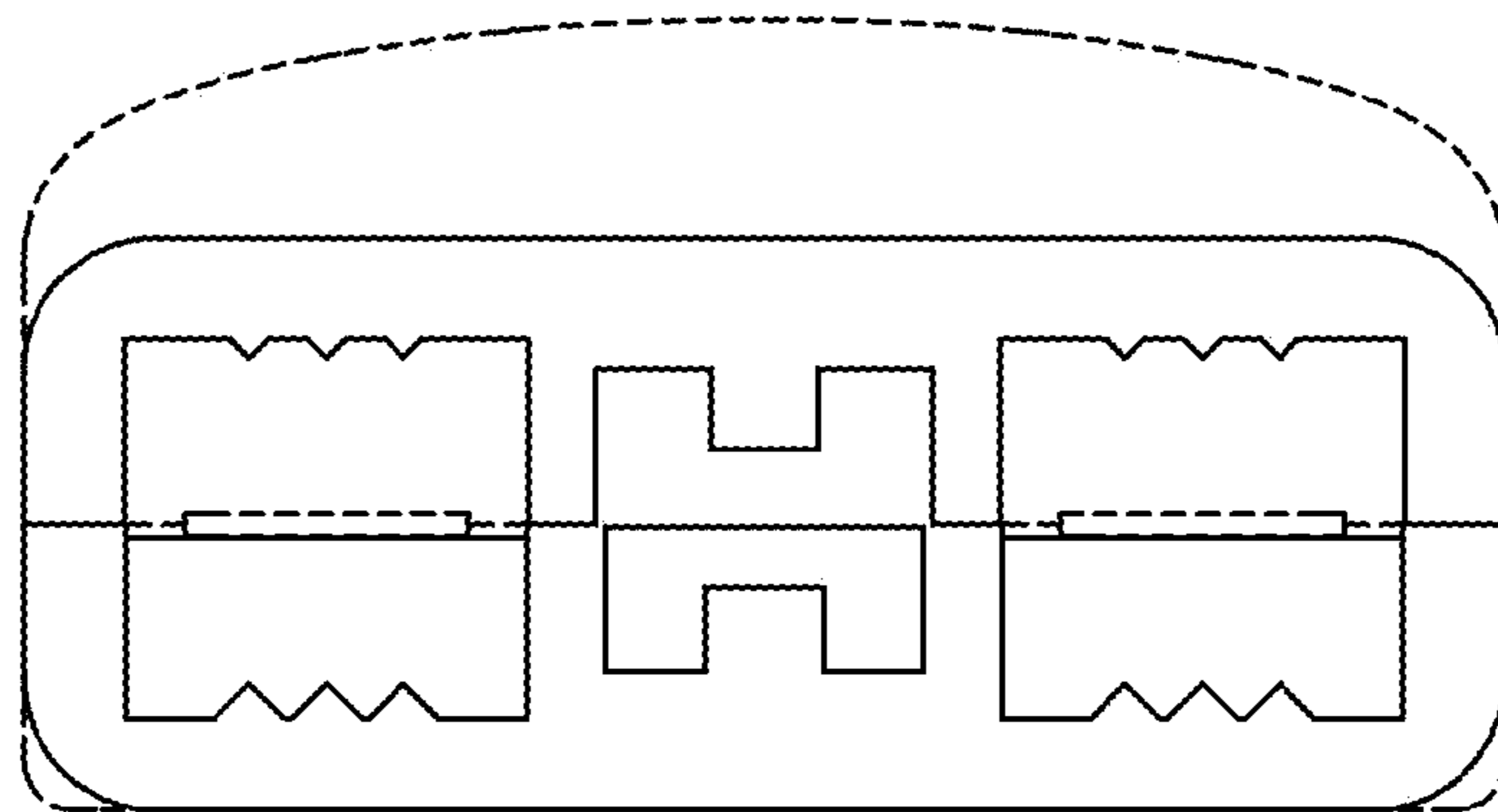


FIG. 3

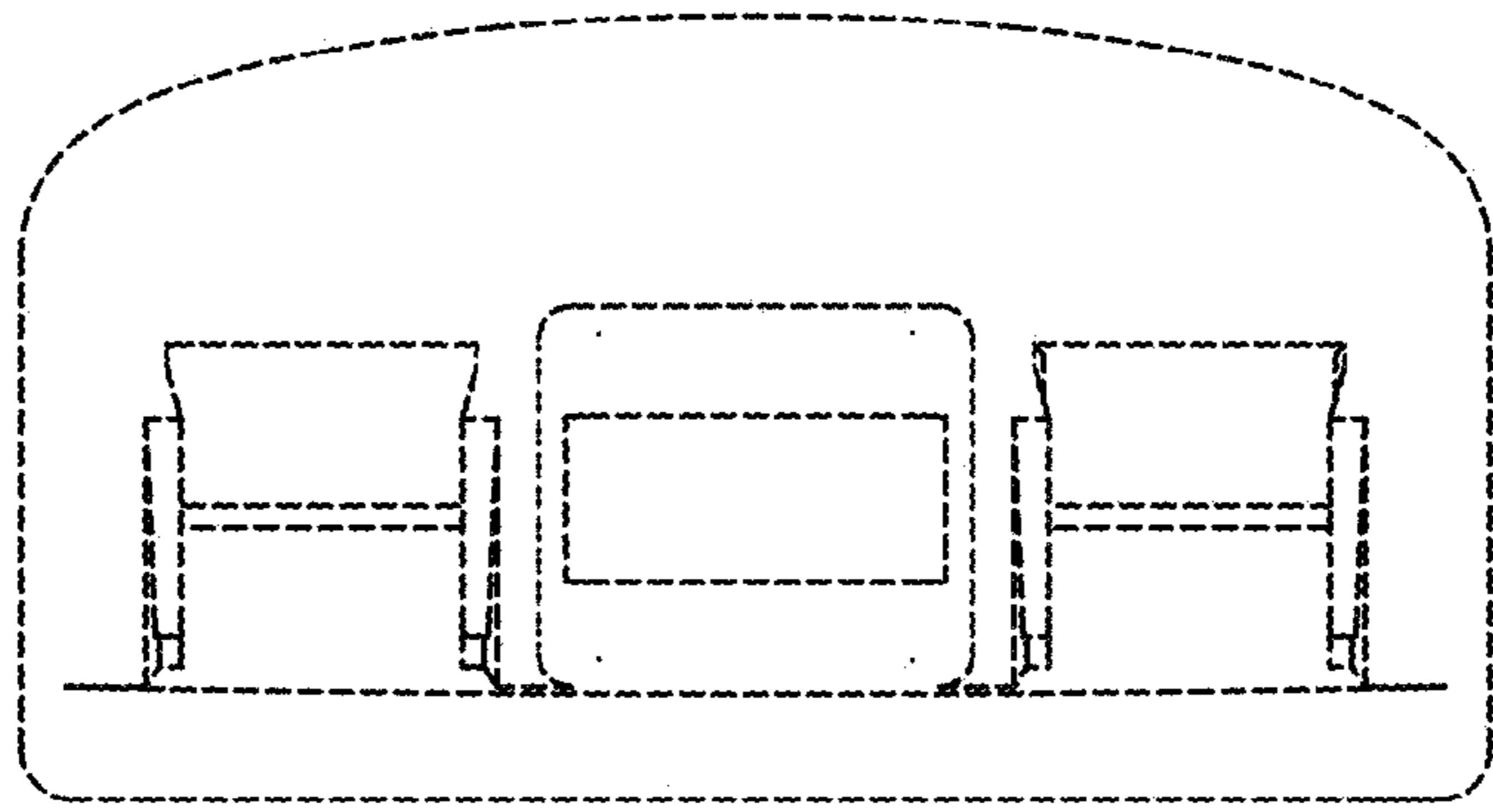


FIG. 4

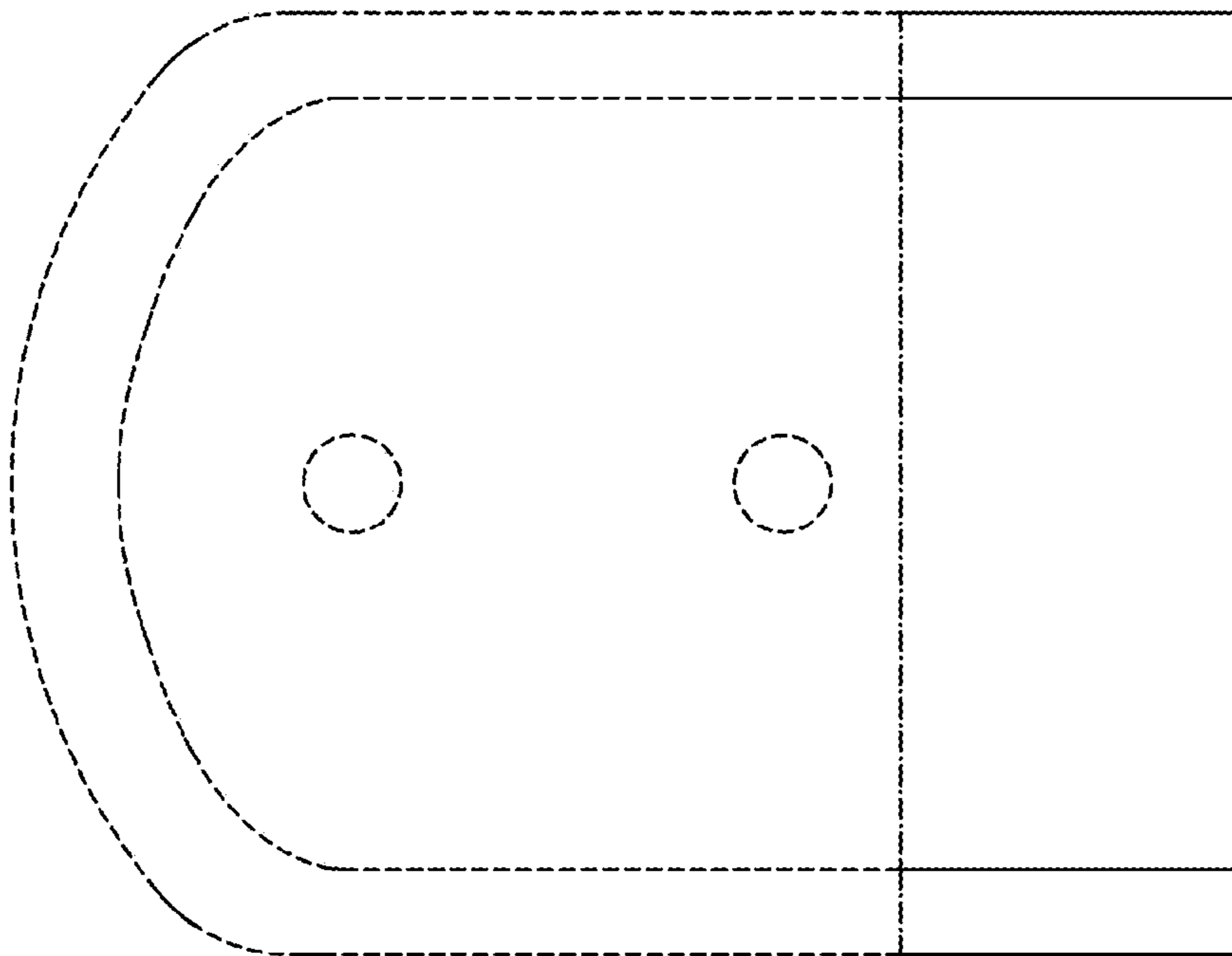


FIG. 5

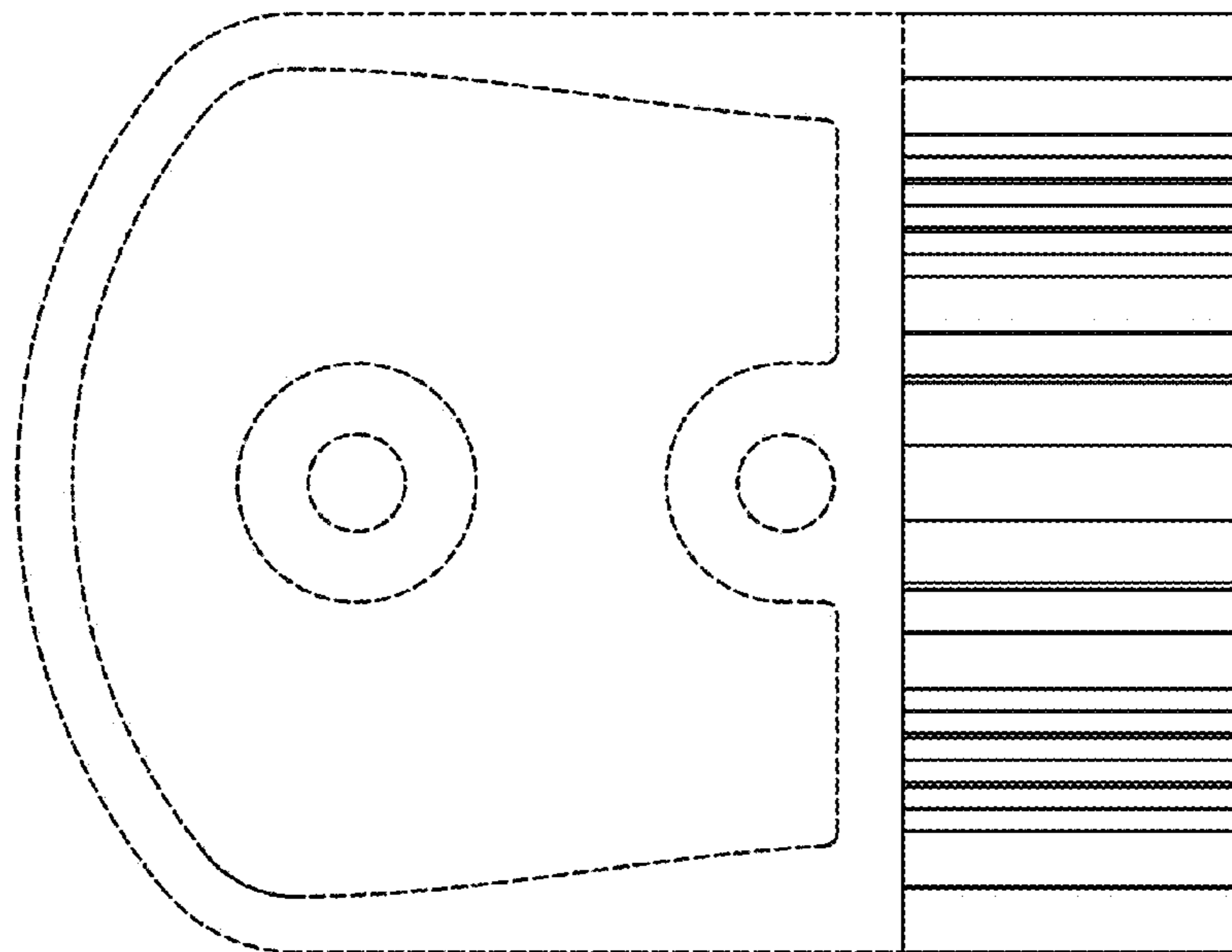


FIG. 6

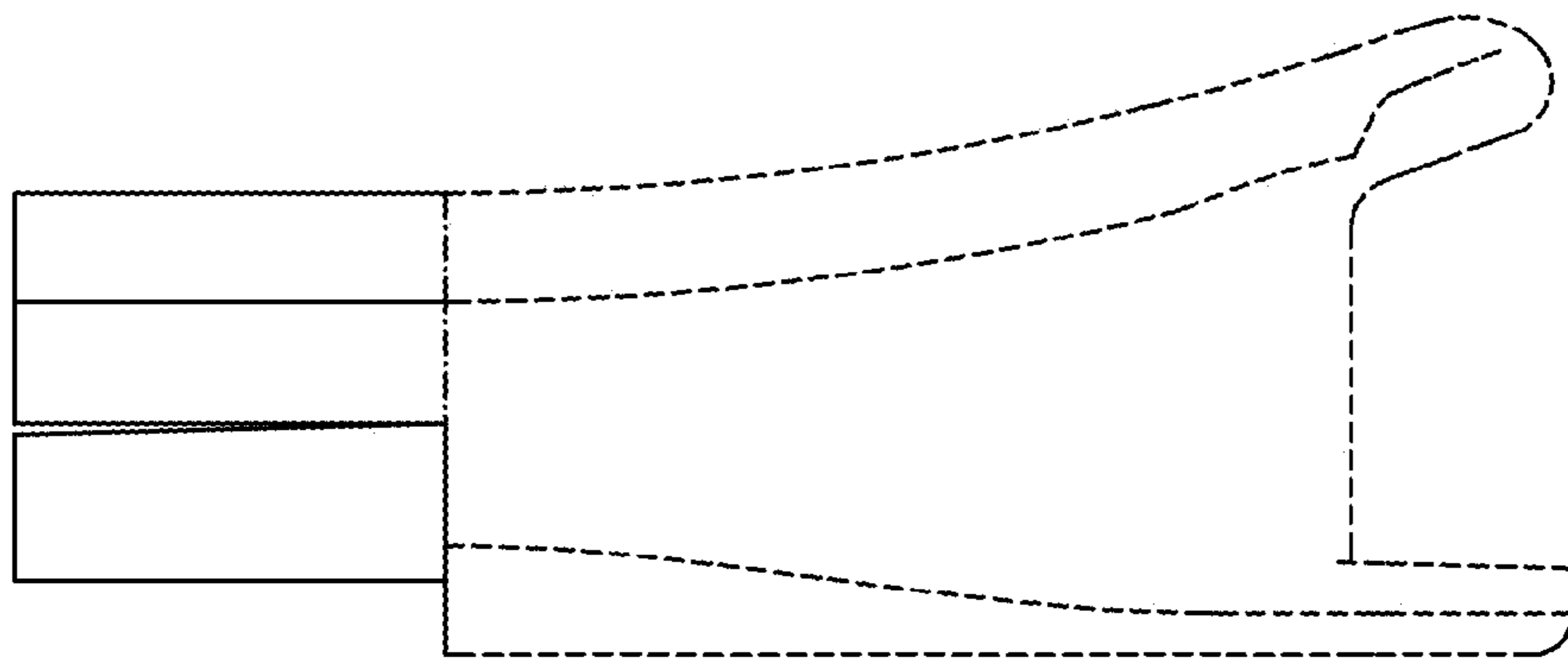


FIG. 7



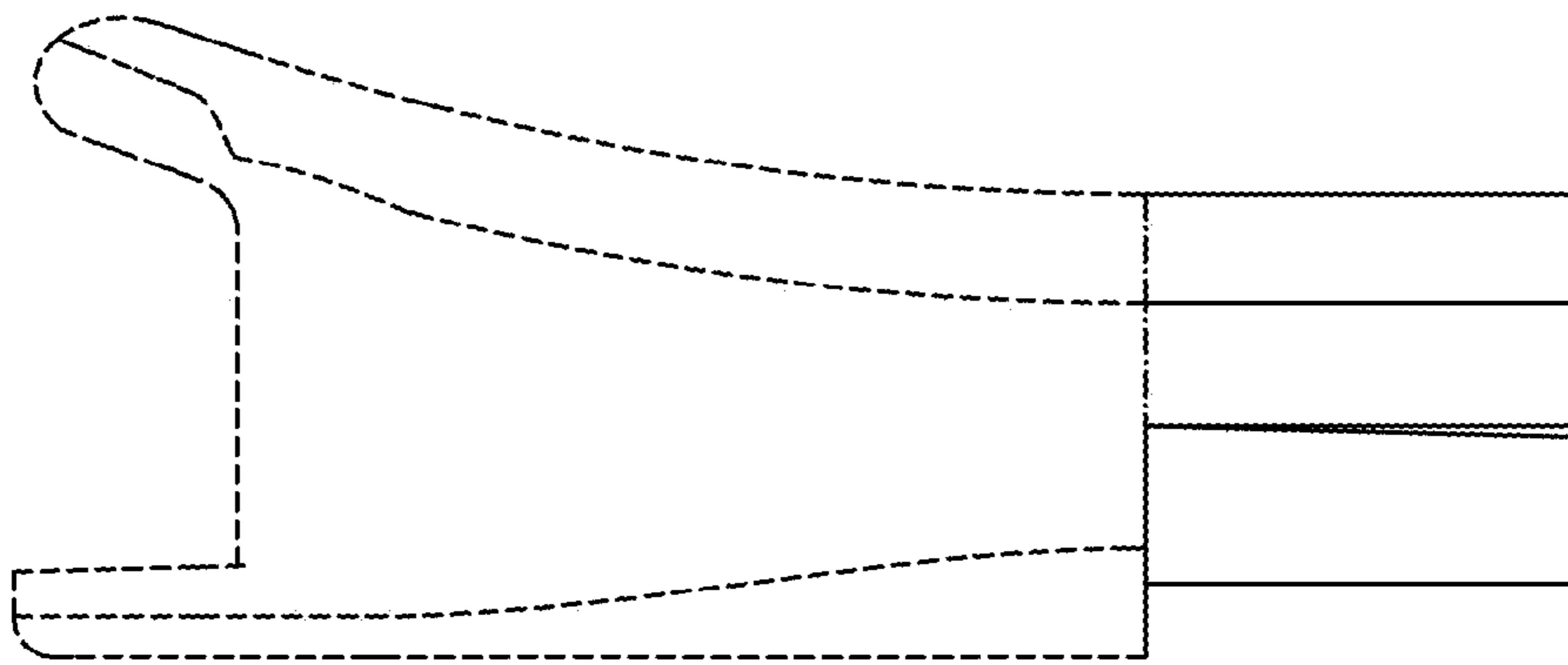


FIG. 8