



US00D737774S

(12) **United States Design Patent**
Zhu et al.

(10) **Patent No.:** **US D737,774 S**

(45) **Date of Patent:** **** Sep. 1, 2015**

(54) **THREE PRONG PLUG**

(71) Applicants: **ZH Brothers International, Inc.**,
Granger, IN (US); **Jiande Yonghua**
Electrical Equipment Co., Ltd., Jiande
(CN)

(72) Inventors: **Guoqiang "Aston" Zhu**, Mishawaka, IN
(US); **Wanguang Wu**, Jiande (CN)

(73) Assignees: **Jiande Yonghua Electrical Equipment**
Co., Ltd., Jiande, Zhejiang (CN); **ZH**
Brothers International, Inc., Granger,
IN (US)

(**) Term: **14 Years**

(21) Appl. No.: **29/494,155**

(22) Filed: **Jun. 18, 2014**

(51) **LOC (10) Cl.** **13-03**

(52) **U.S. Cl.**
USPC **D13/138.1**

(58) **Field of Classification Search**
USPC D13/138.1-138.2, 137.1-137.4, 118,
D13/123, 156, 184, 199, 133; 439/21, 23,
439/484
CPC H02M 5/4585; H02G 7/14; H02G 3/088;
H01L 2924/01079
See application file for complete search history.

(56) **References Cited**

U.S. PATENT DOCUMENTS

2,507,092	A *	5/1950	Cline	439/484
5,409,397	A *	4/1995	Karman	439/484
5,551,882	A *	9/1996	Whiteman et al.	439/21
6,986,665	B2 *	1/2006	Schauz et al.	439/21

7,052,309	B1 *	5/2006	Chen	439/484
7,063,558	B1 *	6/2006	Chen	439/484
D549,651	S *	8/2007	Mancari et al.	D13/138.2
7,255,568	B1 *	8/2007	Wu	439/23
D586,296	S *	2/2009	Liu	D13/138.2
D592,139	S *	5/2009	Wu	D13/138.2
D592,141	S *	5/2009	Mancari et al.	D13/139.1
D602,434	S *	10/2009	Mancari et al.	D13/139.1
D614,571	S *	4/2010	Wu	D13/138.2
D635,515	S *	4/2011	Atwell et al.	D13/138.2
D638,359	S *	5/2011	Atwell et al.	D13/138.2
D660,235	S *	5/2012	Liang-Hsu et al.	D13/138.2
D664,095	S *	7/2012	Benedict et al.	D13/138.2
D667,791	S *	9/2012	Angel et al.	D13/133
D667,792	S *	9/2012	Angel et al.	D13/133

* cited by examiner

Primary Examiner — Holly Baynham

Assistant Examiner — Rhea Shields

(74) *Attorney, Agent, or Firm* — Botkin & Hall, LLP

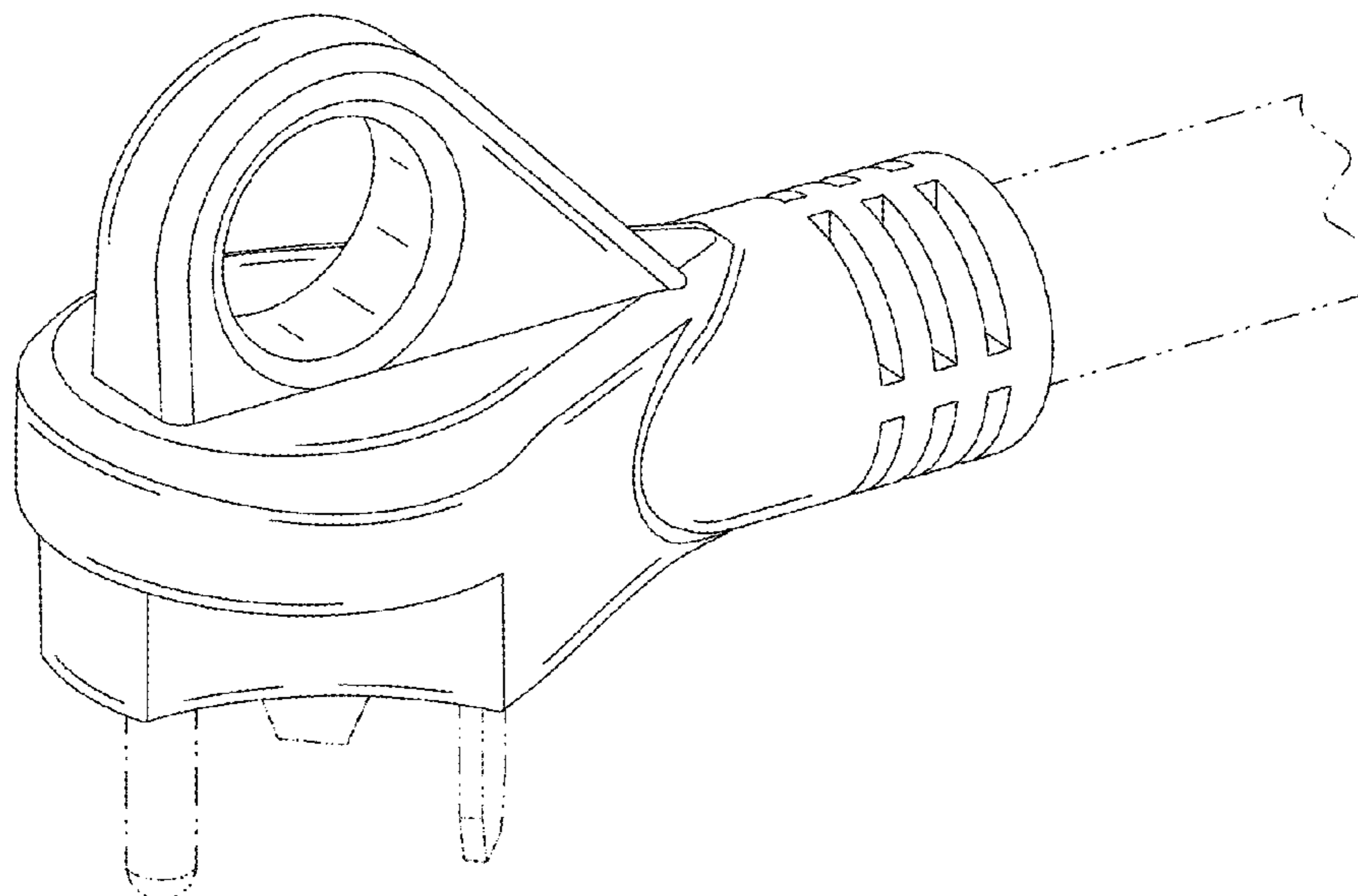
(57) **CLAIM**

The ornamental design for a three prong plug, as shown and described.

DESCRIPTION

FIG. 1 is a top perspective view of the three prong plug;
FIG. 2 is a bottom perspective view of the three prong plug
FIG. 3 is a left view of the three prong plug of FIG. 1;
FIG. 4 is a right view of the three prong plug of FIG. 1;
FIG. 5 is a front view of the three prong plug of FIG. 1;
FIG. 6 is a back view of the three prong plug of FIG. 1;
FIG. 7 is a top view of the three prong plug of FIG. 1; and,
FIG. 8 is a bottom view of the three prong plug of FIG. 1.
In the drawings, the broken lines are for the purpose of illustrating environment only and form no part of the claimed design.

1 Claim, 4 Drawing Sheets



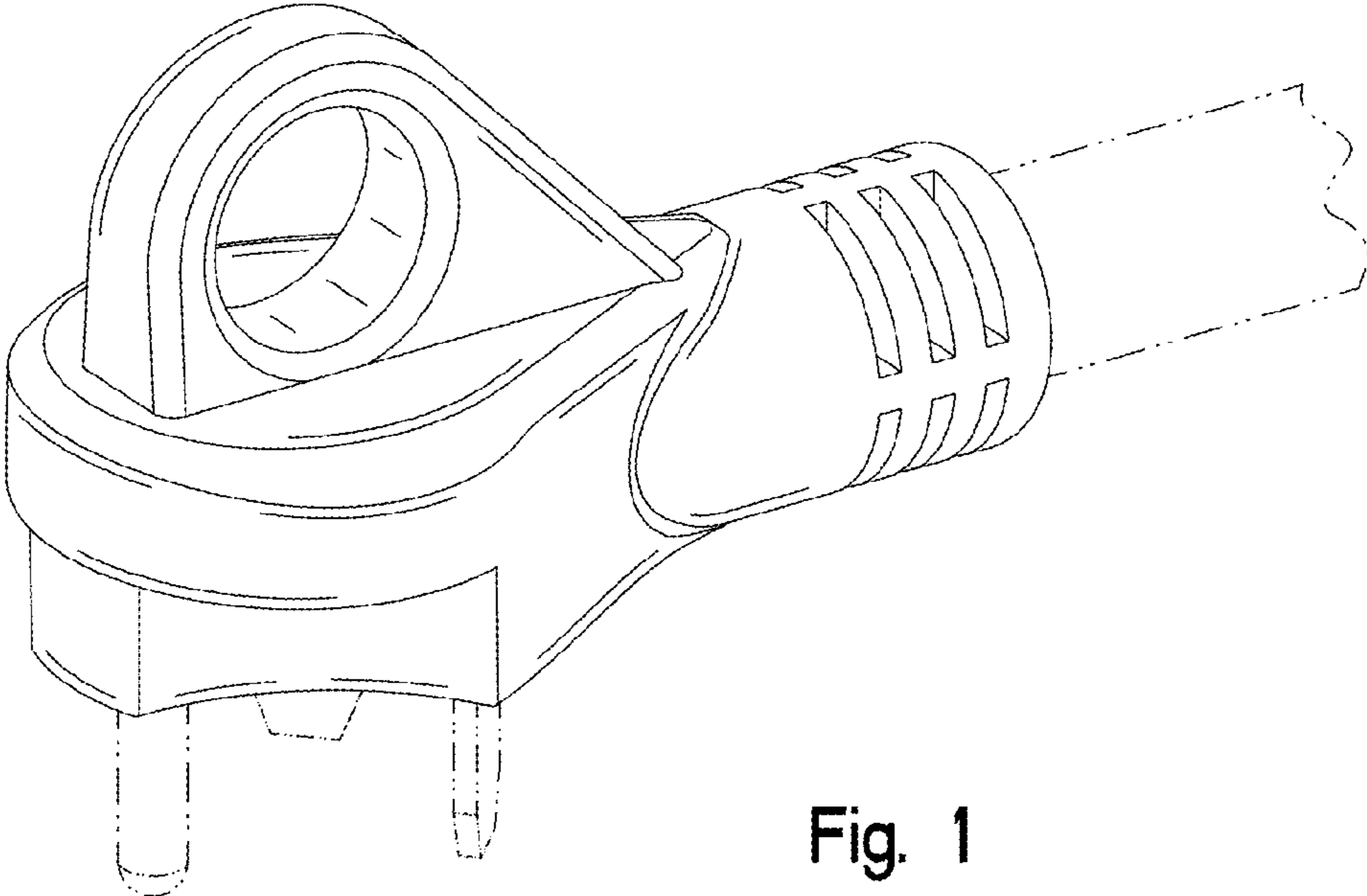


Fig. 1

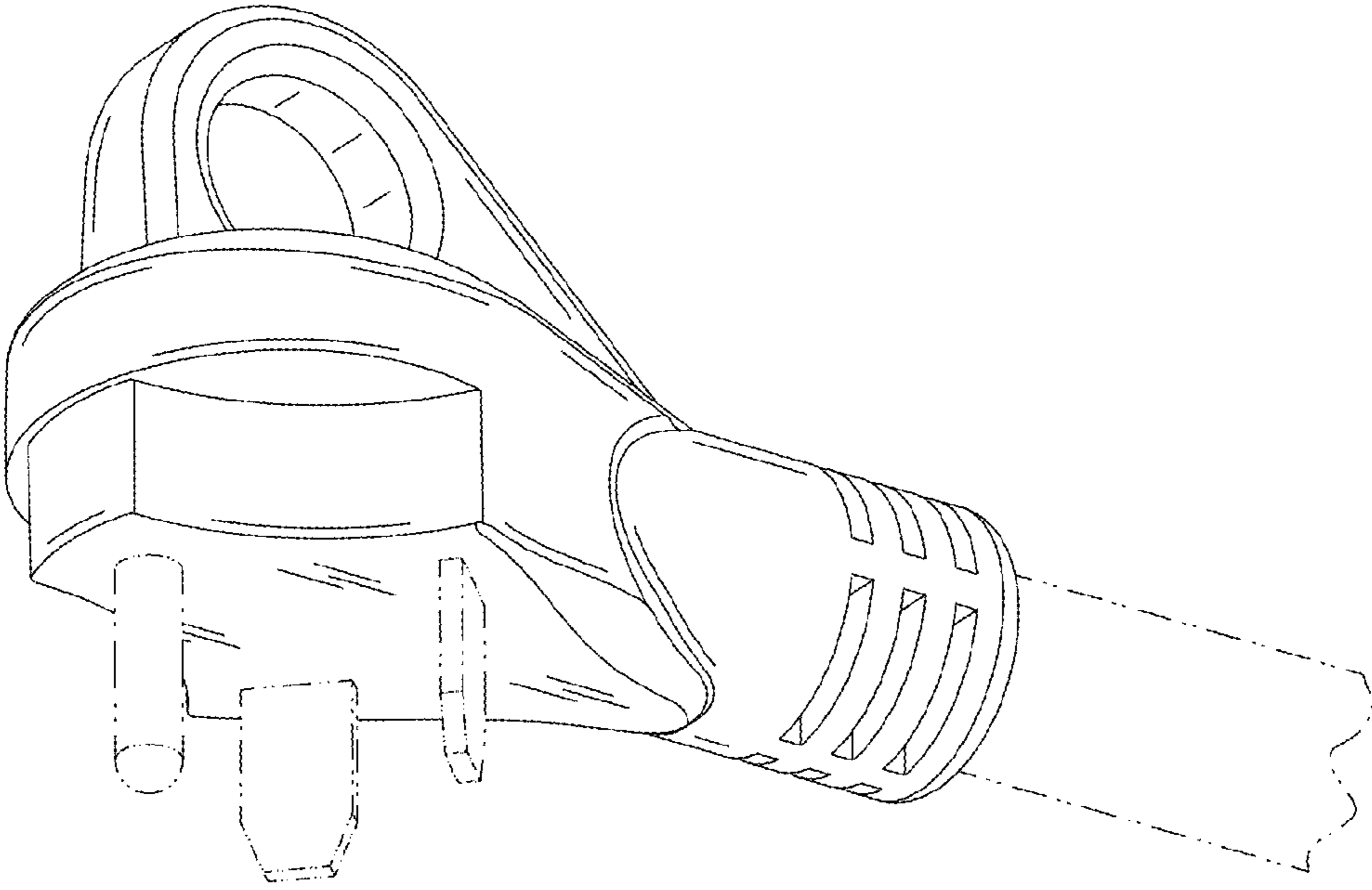


Fig. 2

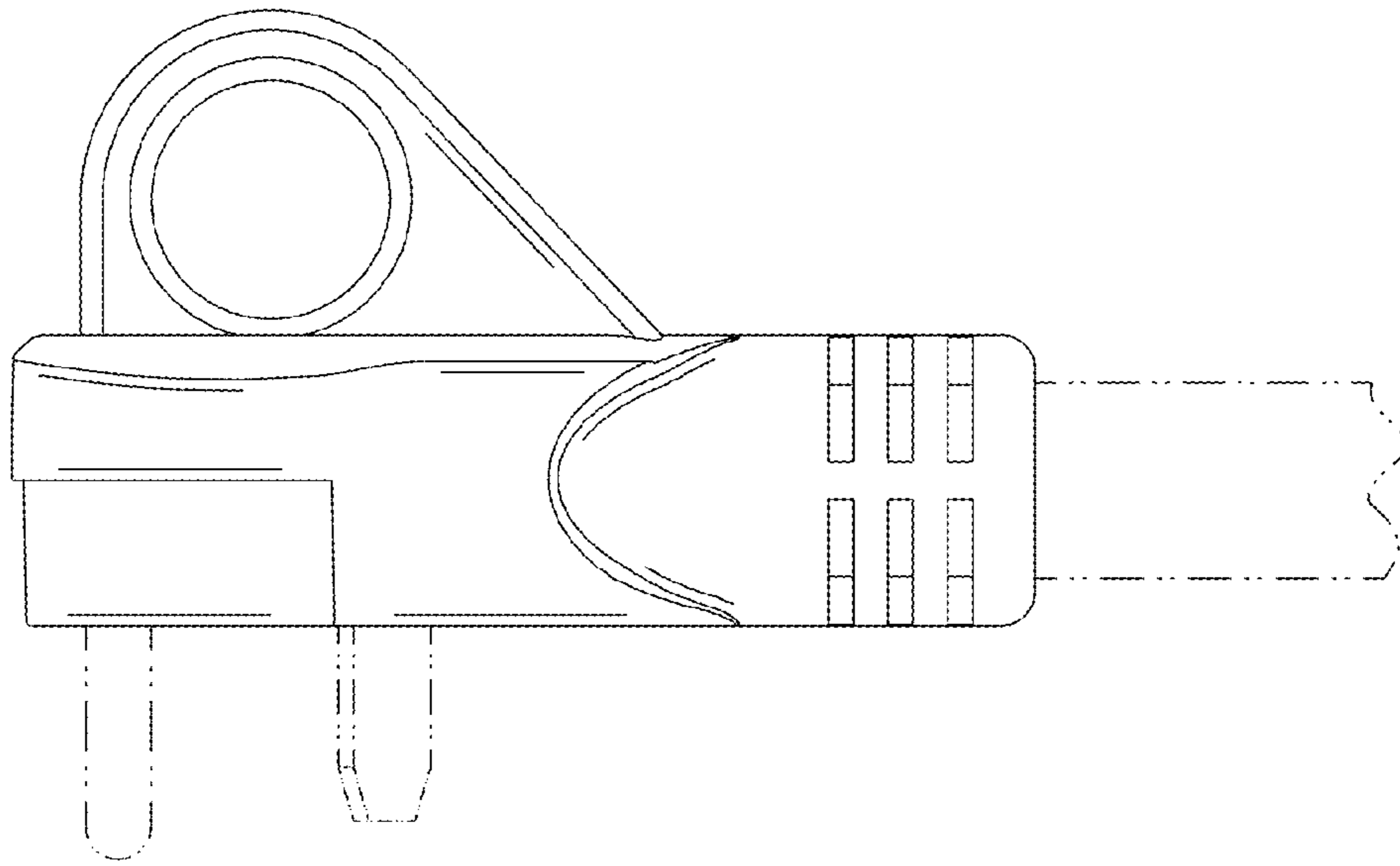


Fig. 3

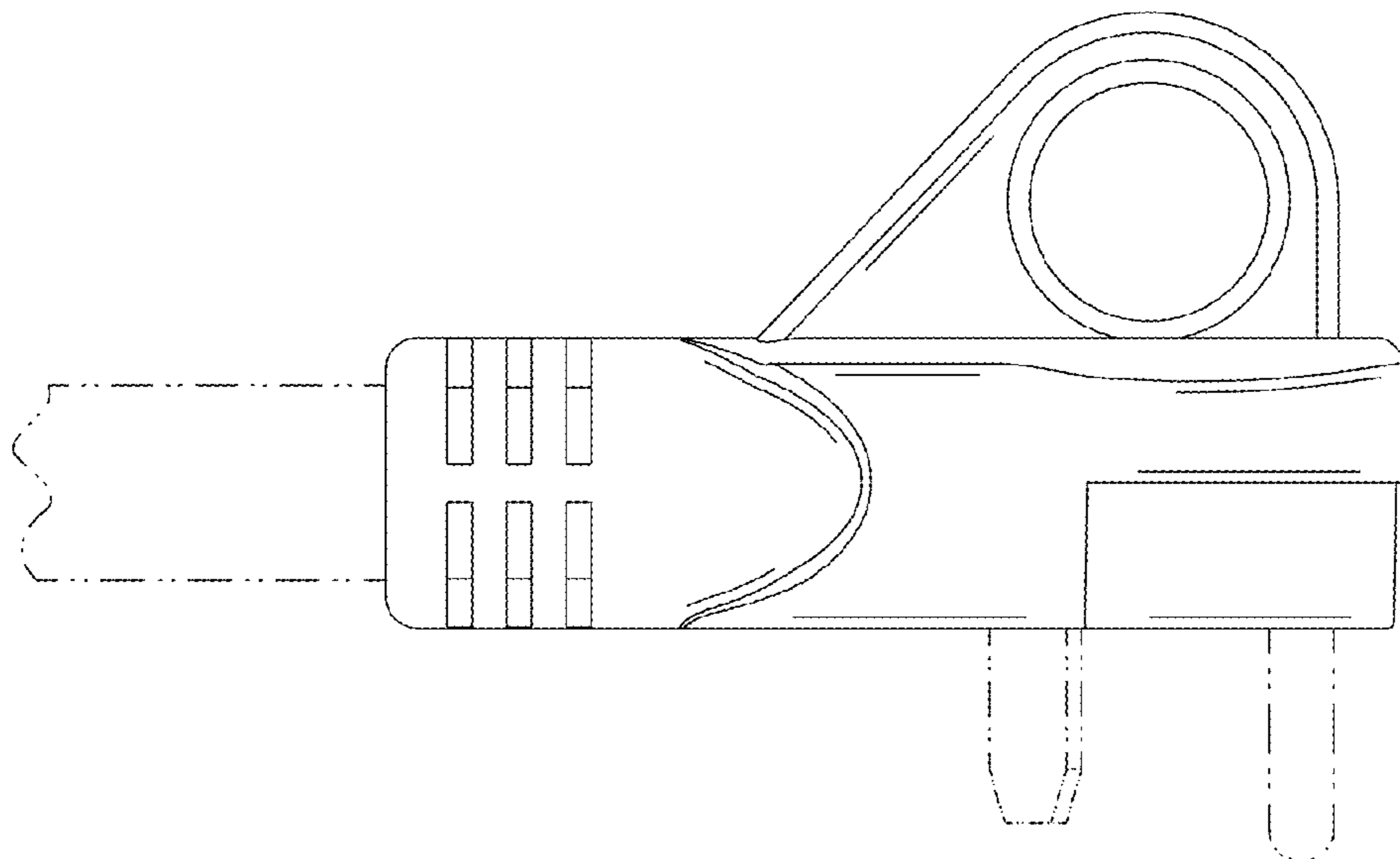


Fig. 4

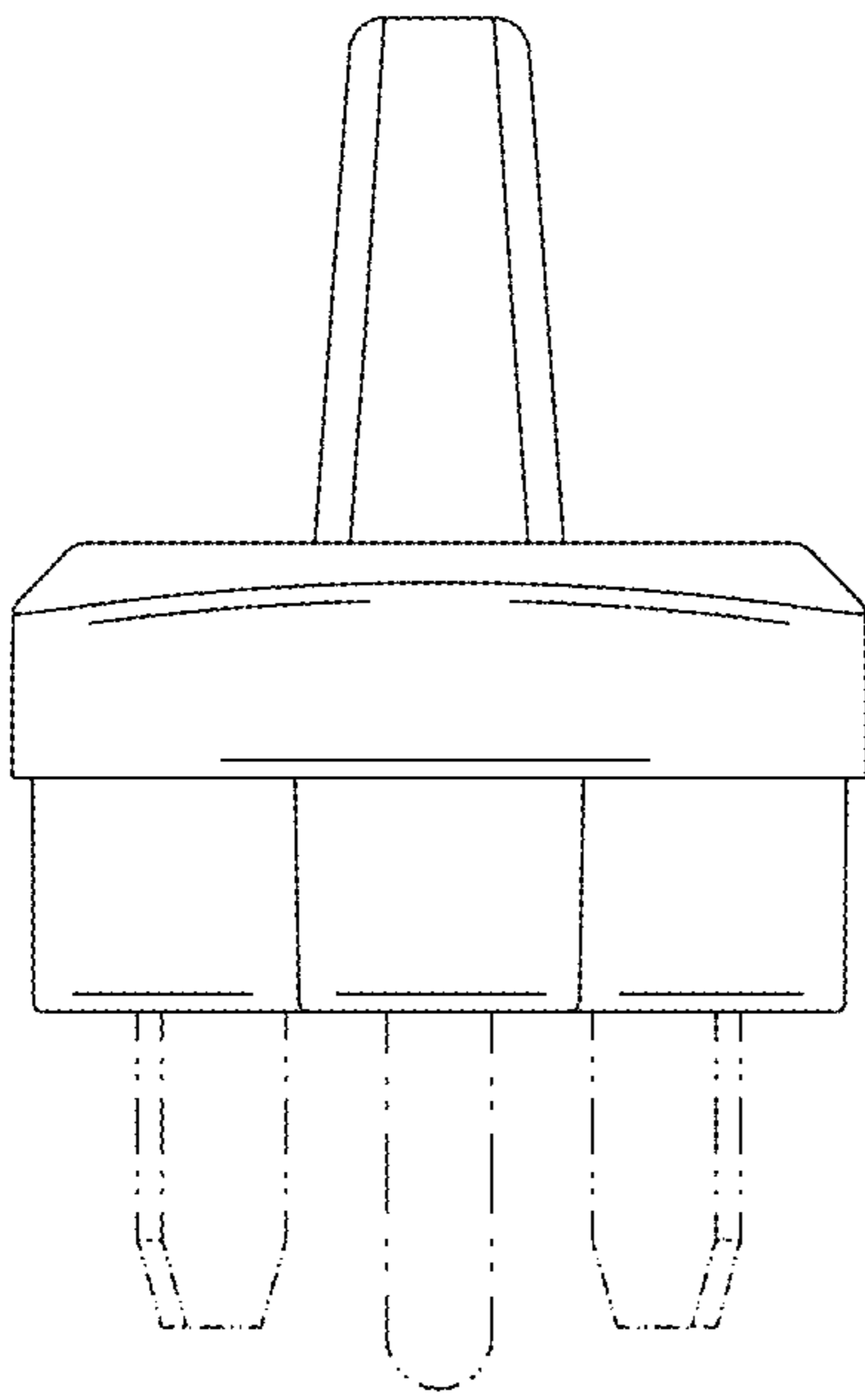


Fig. 5

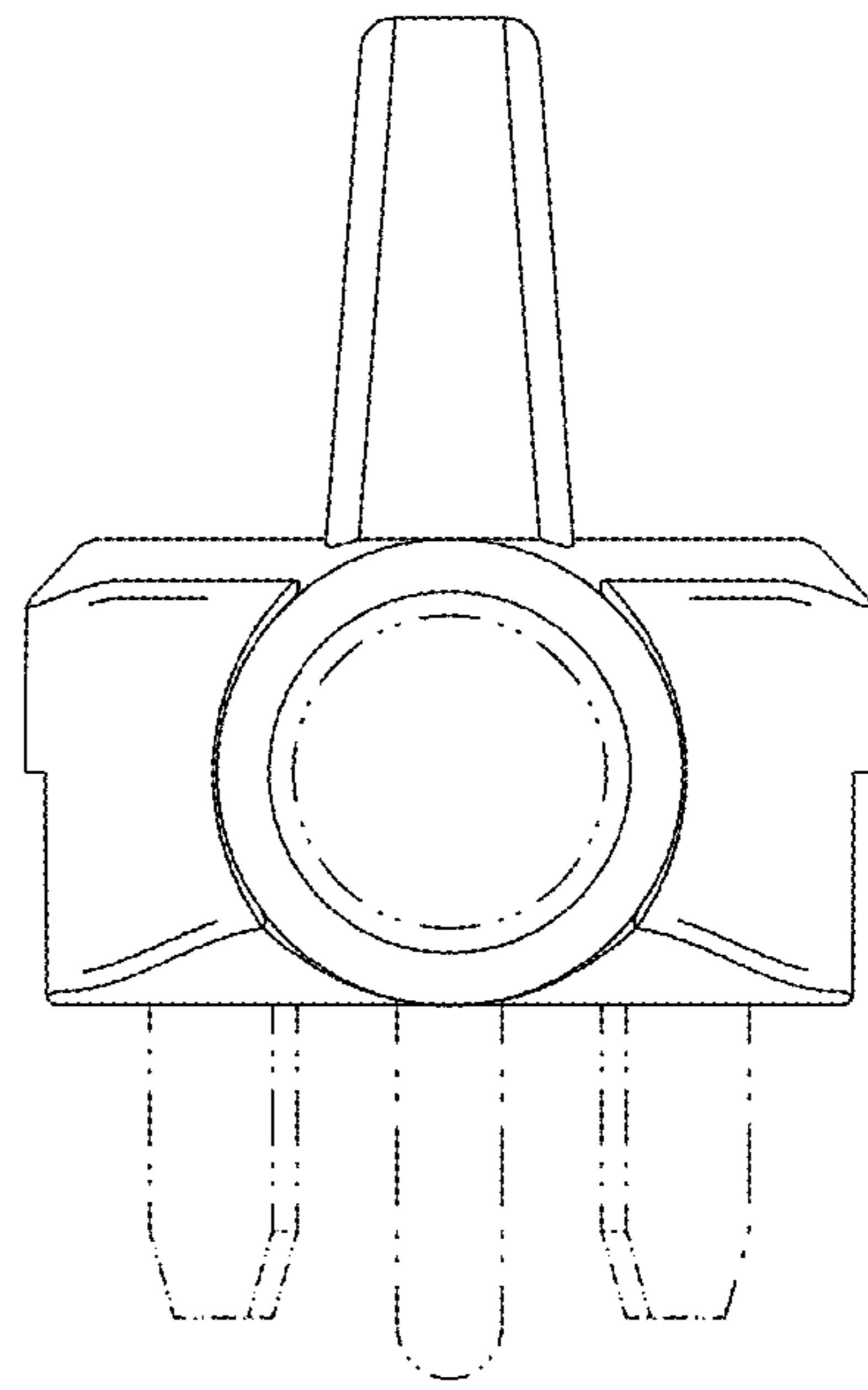


Fig. 6

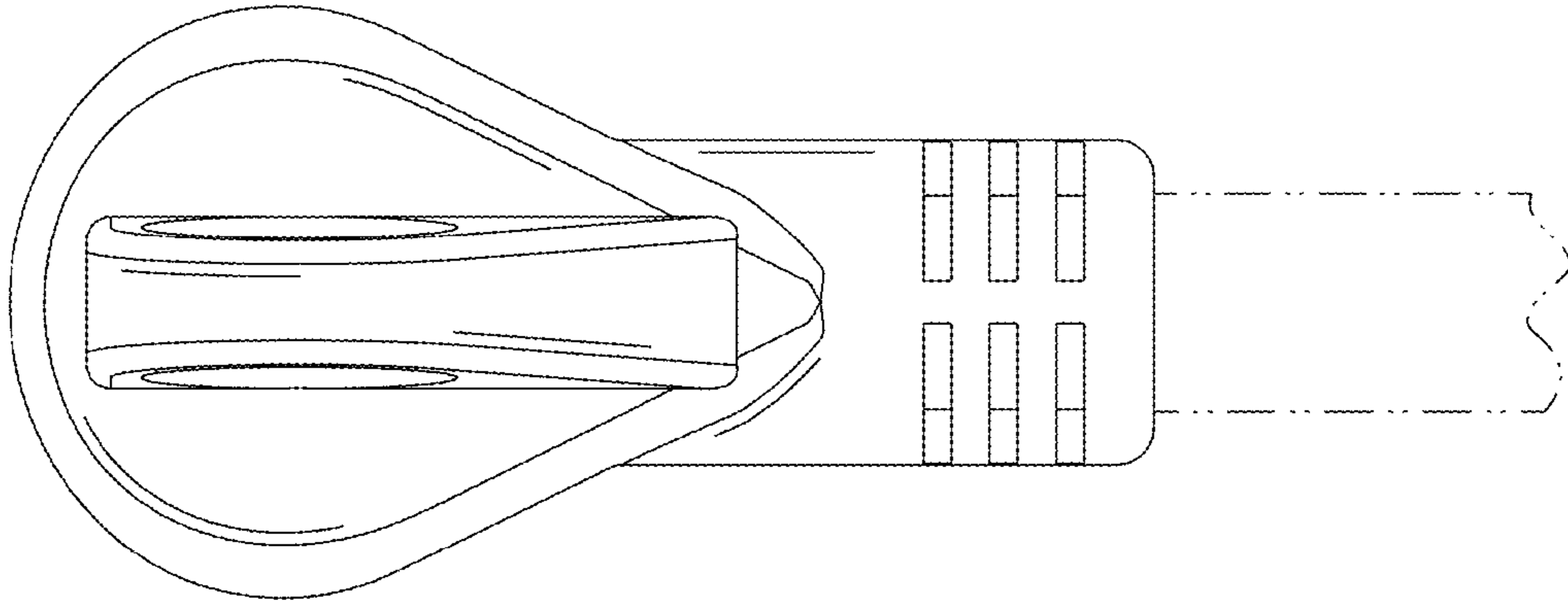


Fig. 7

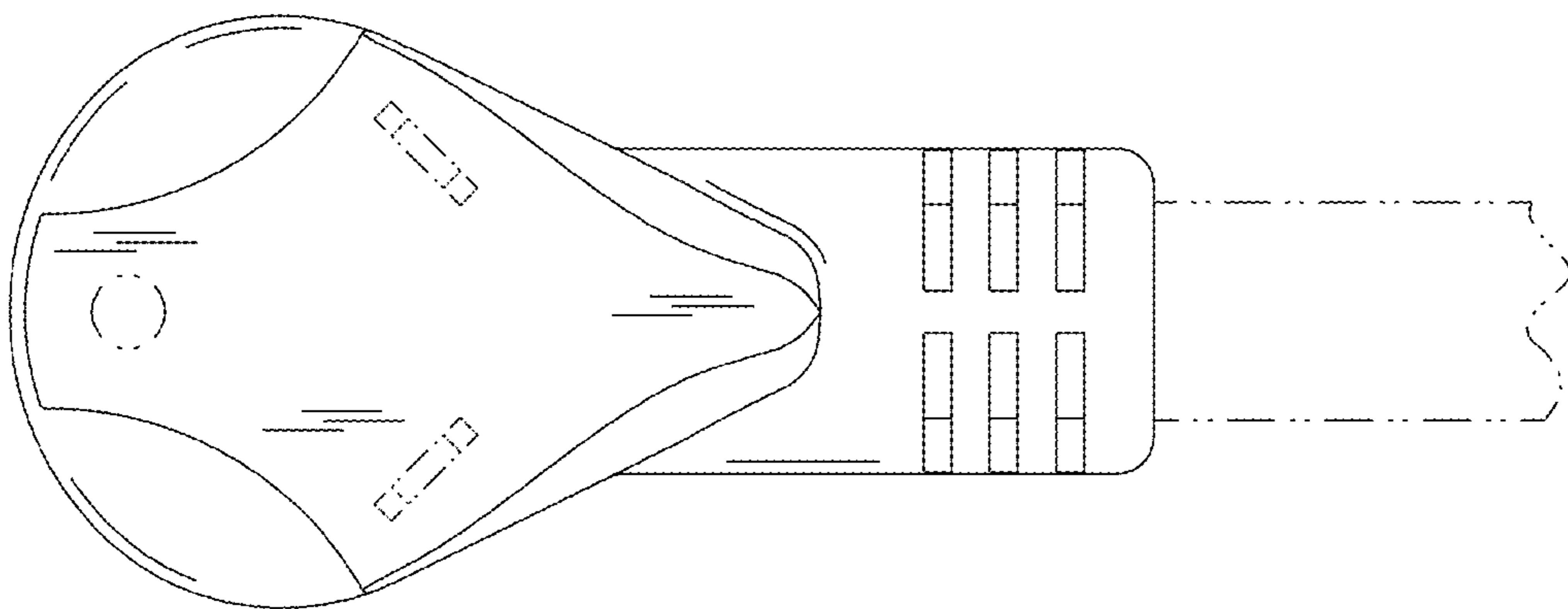


Fig. 8