



US00D737773S

(12) **United States Design Patent**
Fukano et al.

(10) **Patent No.:** **US D737,773 S**
(45) **Date of Patent:** **** Sep. 1, 2015**

(54) **SOCKET FOR LIGHT-EMITTING DIODE LAMP**

(71) Applicant: **Panasonic Intellectual Property Management Co., Ltd., Osaka (JP)**

(72) Inventors: **Satoshi Fukano, Osaka (JP); Tetsuya Matsumoto, Gunma (JP); Masazumi Takakura, Osaka (JP)**

(73) Assignee: **Panasonic Intellectual Property Management Co., Ltd., Osaka (JP)**

(**) Term: **14 Years**

(21) Appl. No.: **29/520,936**

(22) Filed: **Mar. 18, 2015**

Related U.S. Application Data

(62) Division of application No. 29/462,446, filed on Aug. 5, 2013, now Pat. No. Des. 727,849.

(30) **Foreign Application Priority Data**

Feb. 8, 2013 (JP) 2013-002466
Feb. 8, 2013 (JP) 2013-002467

(51) **LOC (10) Cl.** **13-03**

(52) **U.S. Cl.**
USPC **D13/134**

(58) **Field of Classification Search**
USPC 313/318.01, 318.12; 362/430, 555, 581, 362/651; 439/131, 226, 236, 256, 300, 336, 439/534, 602, 604, 605; D13/133, 134, D13/135, 136, 151, 154, 158, 180, 184, D13/199; D26/106, 113, 2, 24, 26, 3, 60, 61
CPC H01R 33/0854; H01R 33/0836; H01R 33/942
See application file for complete search history.

(56) **References Cited**

U.S. PATENT DOCUMENTS

D47,241	S	*	4/1915	Cosgrave	D13/134
2,328,413	A	*	8/1943	Bertram	315/98
D294,019	S	*	2/1988	Futatsugi et al.	D13/134
D304,716	S	*	11/1989	Johnson et al.	D13/134
D331,222	S		11/1992	Van Riper et al.	D13/134
D365,886	S		1/1996	Strazhnik	D26/60
D377,005	S		12/1996	Lin	D13/134
5,585,688	A	*	12/1996	DeKleine	313/318.01
D415,468	S		10/1999	Klaus et al.	D13/134
6,099,336	A	*	8/2000	Evanisko	439/231
6,124,673	A	*	9/2000	Bishop	315/56
D500,736	S	*	1/2005	Isoda et al.	D13/134
D506,979	S		7/2005	Wiskerke	D13/134

(Continued)

FOREIGN PATENT DOCUMENTS

JP	D1183611	9/2003
JP	D1295733	3/2007

Primary Examiner — Derrick Holland
Assistant Examiner — Jennifer O King

(74) *Attorney, Agent, or Firm* — Panasonic Patent Center

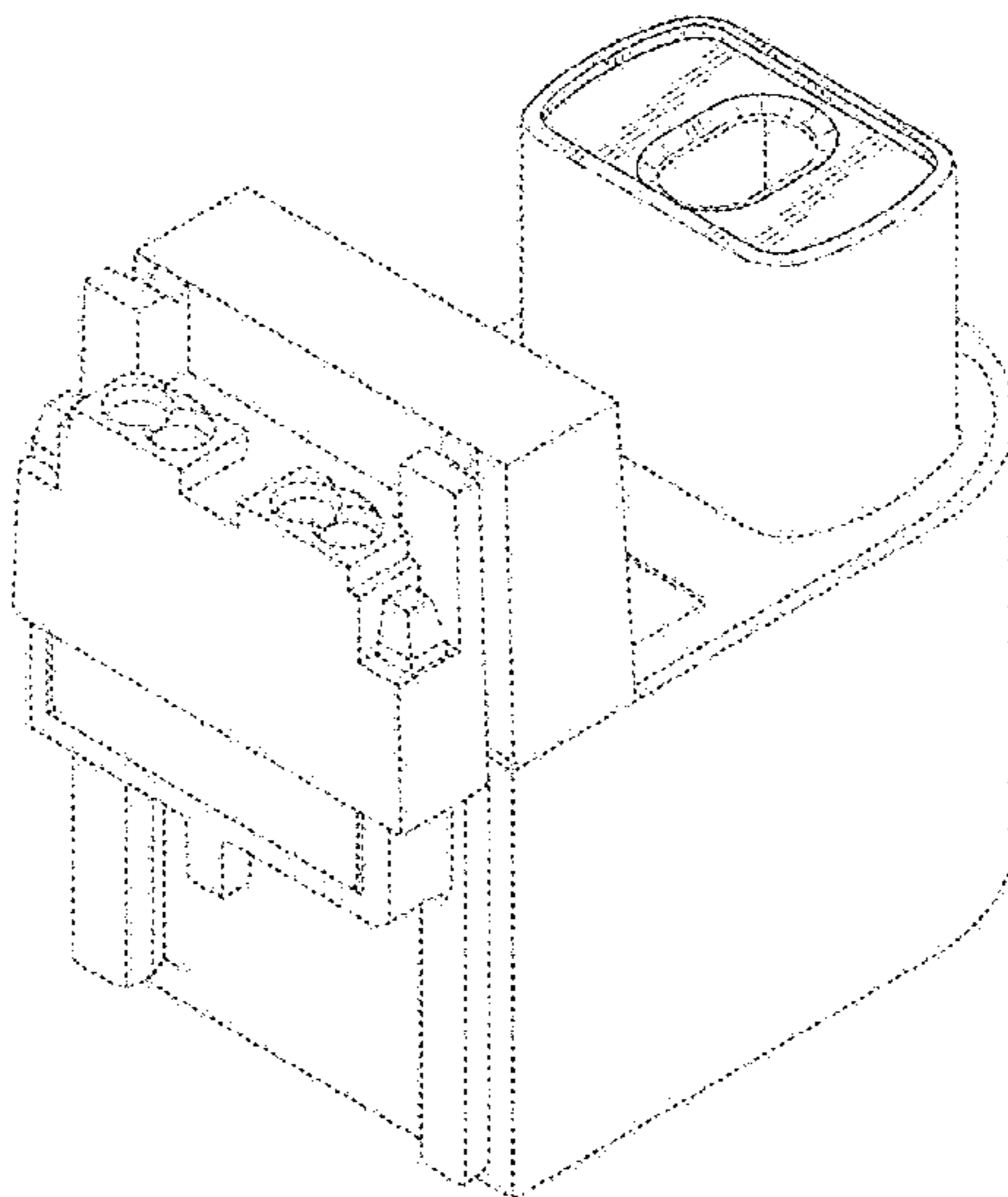
(57) **CLAIM**

We claim the ornamental design for a socket for light-emitting diode lamp, as shown and described.

DESCRIPTION

FIG. 1 is a front perspective view of a socket for light-emitting diode lamp of the present invention;
FIG. 2 is a front view thereof;
FIG. 3 is a rear view thereof;
FIG. 4 is a first side view thereof;
FIG. 5 is a second side view thereof;
FIG. 6 is a top view thereof; and,
FIG. 7 is a bottom view thereof.
The broken lines shown represent unclaimed subject matter and form no part of the claimed design.

1 Claim, 7 Drawing Sheets



(56)

References Cited

U.S. PATENT DOCUMENTS

D514,066 S	1/2006	Wiskerke	D13/134	D647,851 S *	11/2011	Osada	D13/134
D514,516 S	2/2006	Wiskerke	D13/134	D656,106 S *	3/2012	Hsu	D13/180
D521,451 S	5/2006	Wiskerke	D13/134	8,308,497 B2 *	11/2012	Zayas et al.	439/236
D647,850 S *	11/2011	Osada	D13/134	D719,111 S *	12/2014	Lo et al.	D13/180
					2005/0202704 A1 *	9/2005	Lingemann et al.	439/236

* cited by examiner

FIG. 1

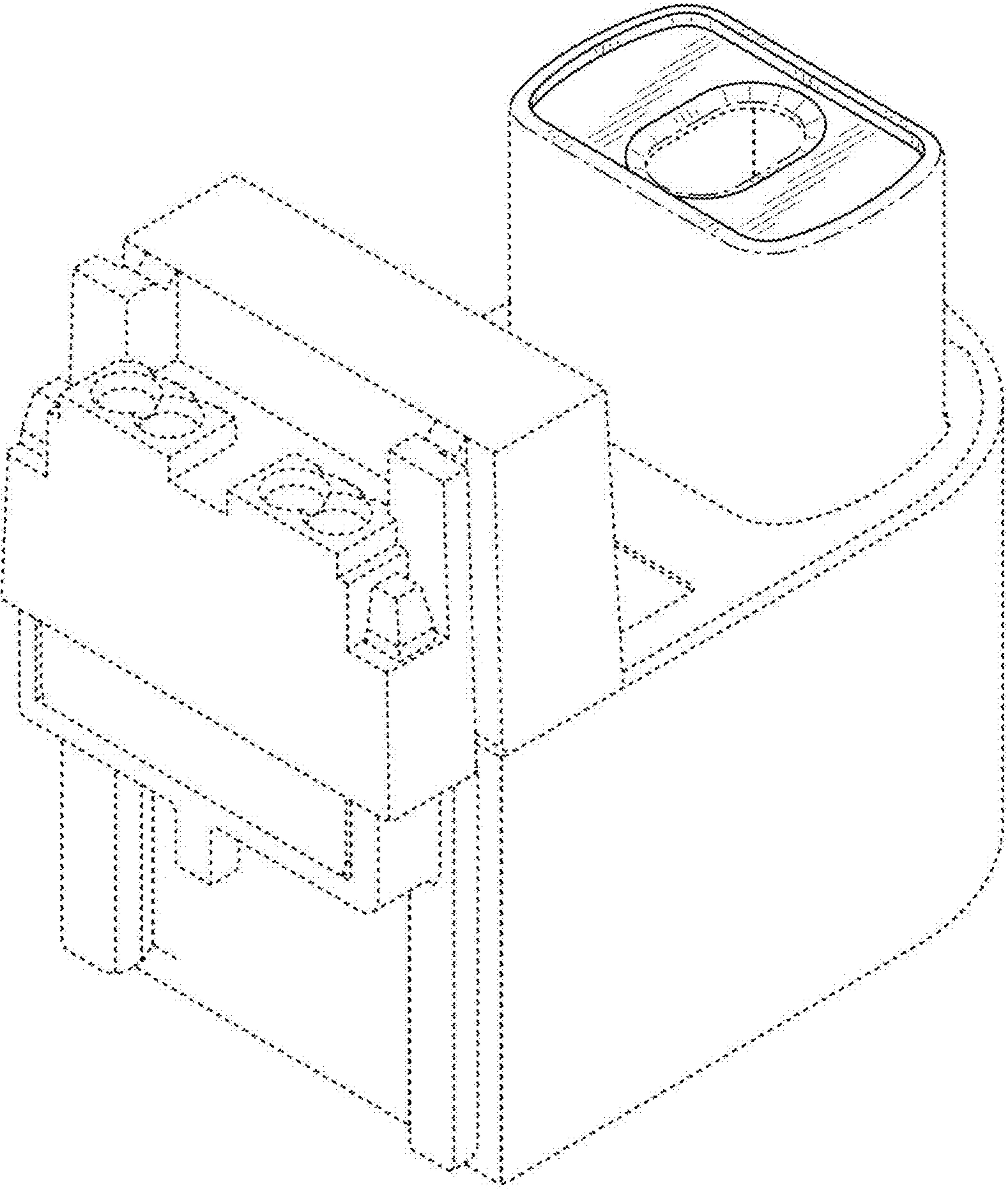


FIG. 2

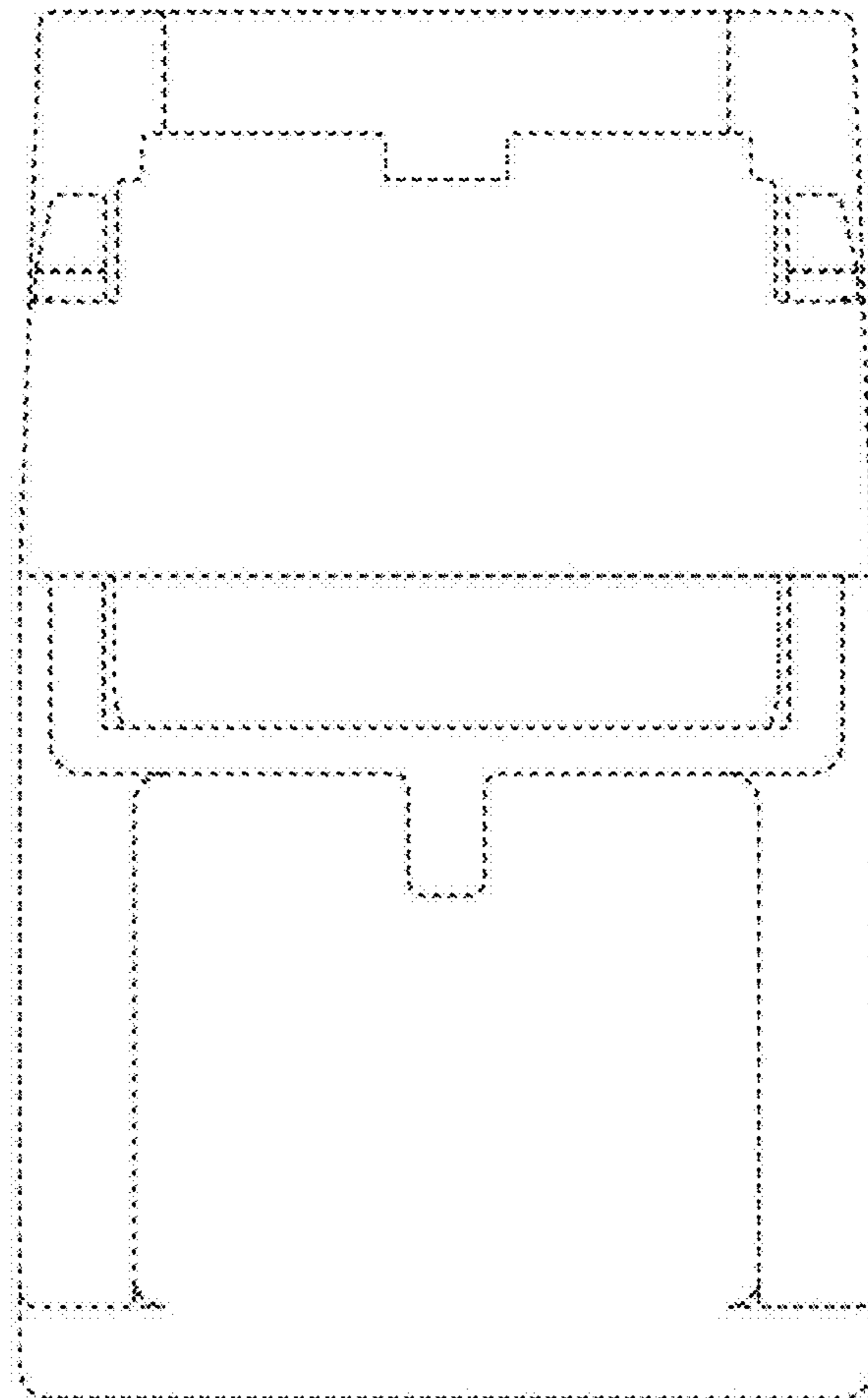


FIG. 3

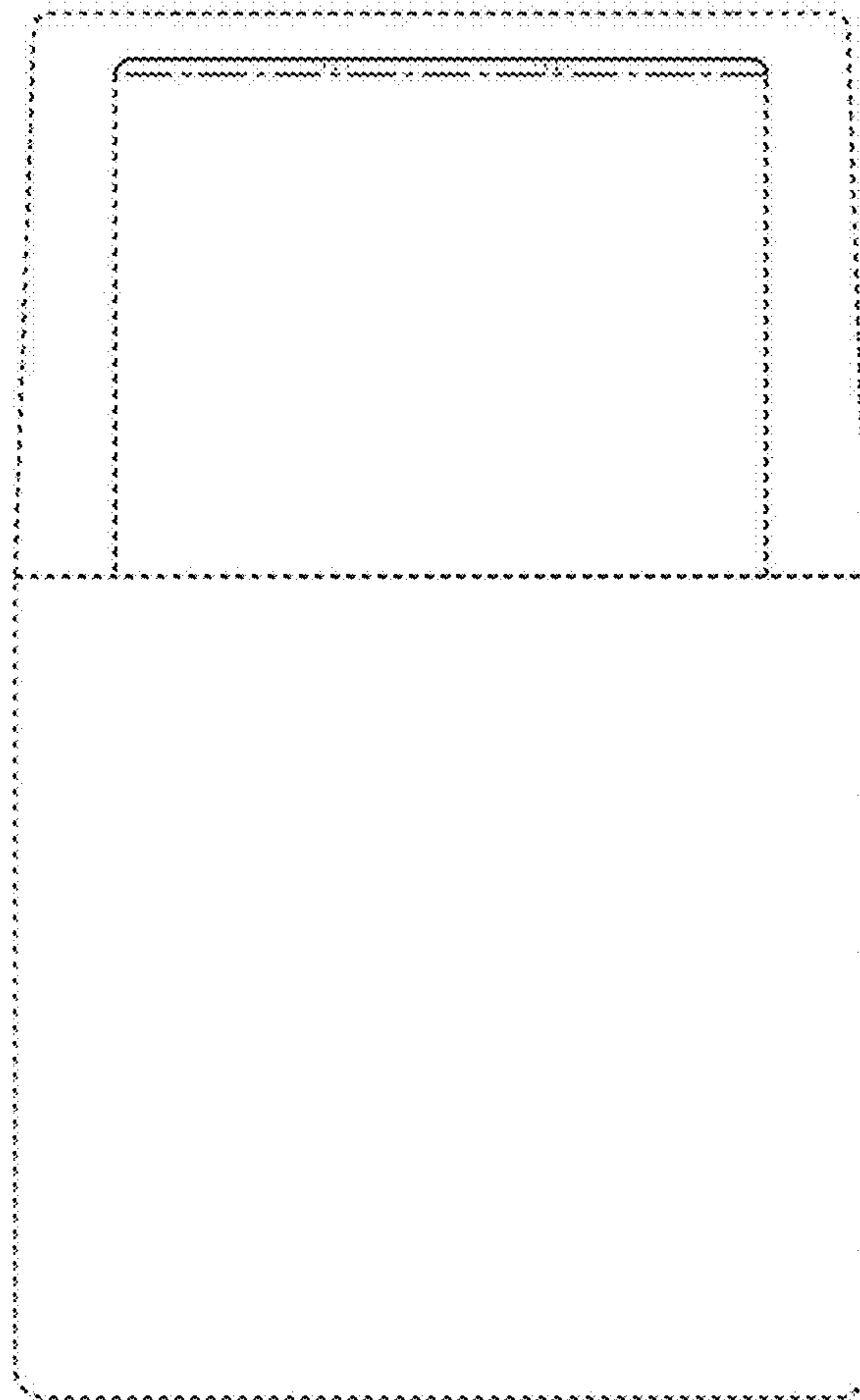


FIG. 4

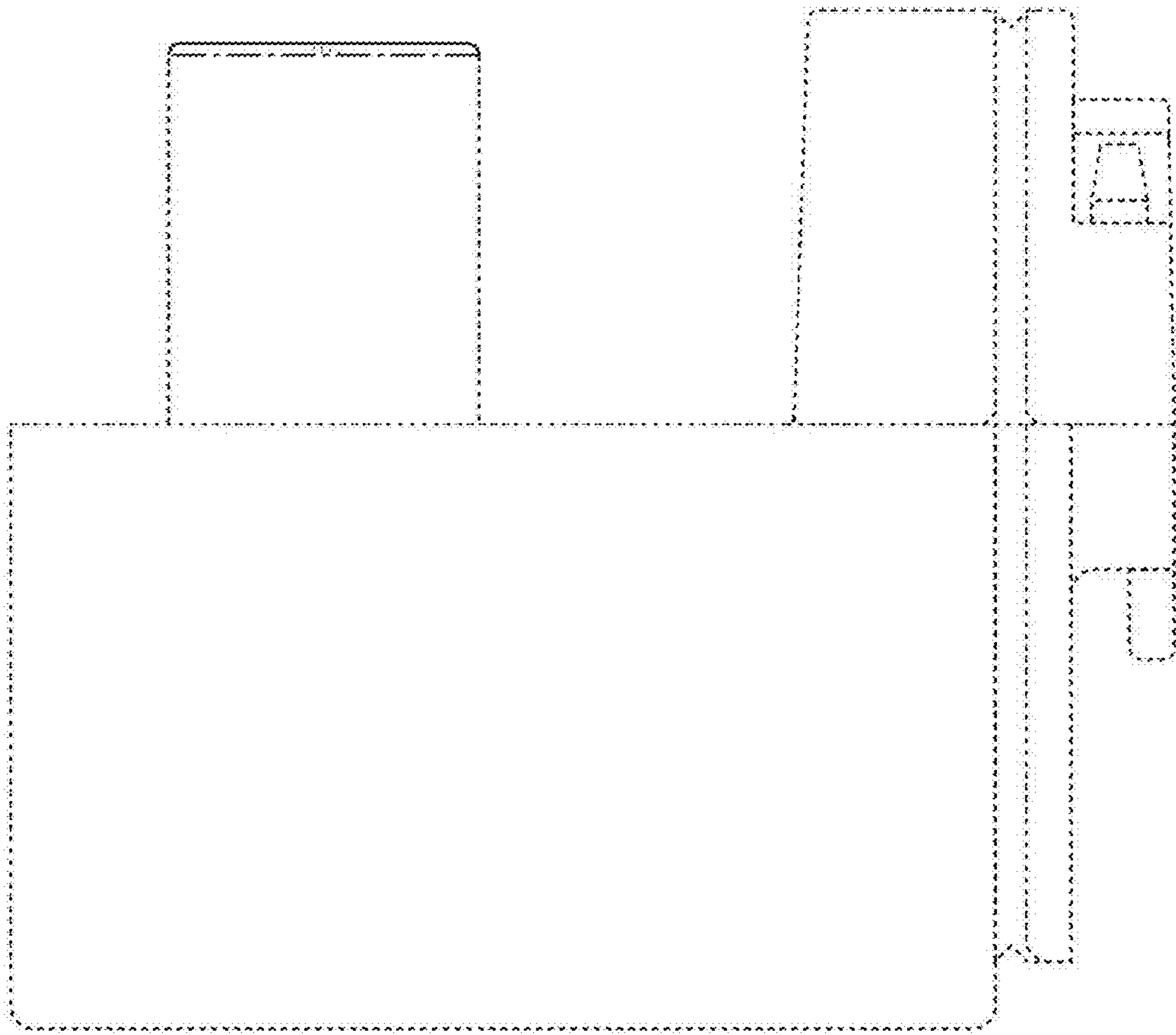


FIG. 5

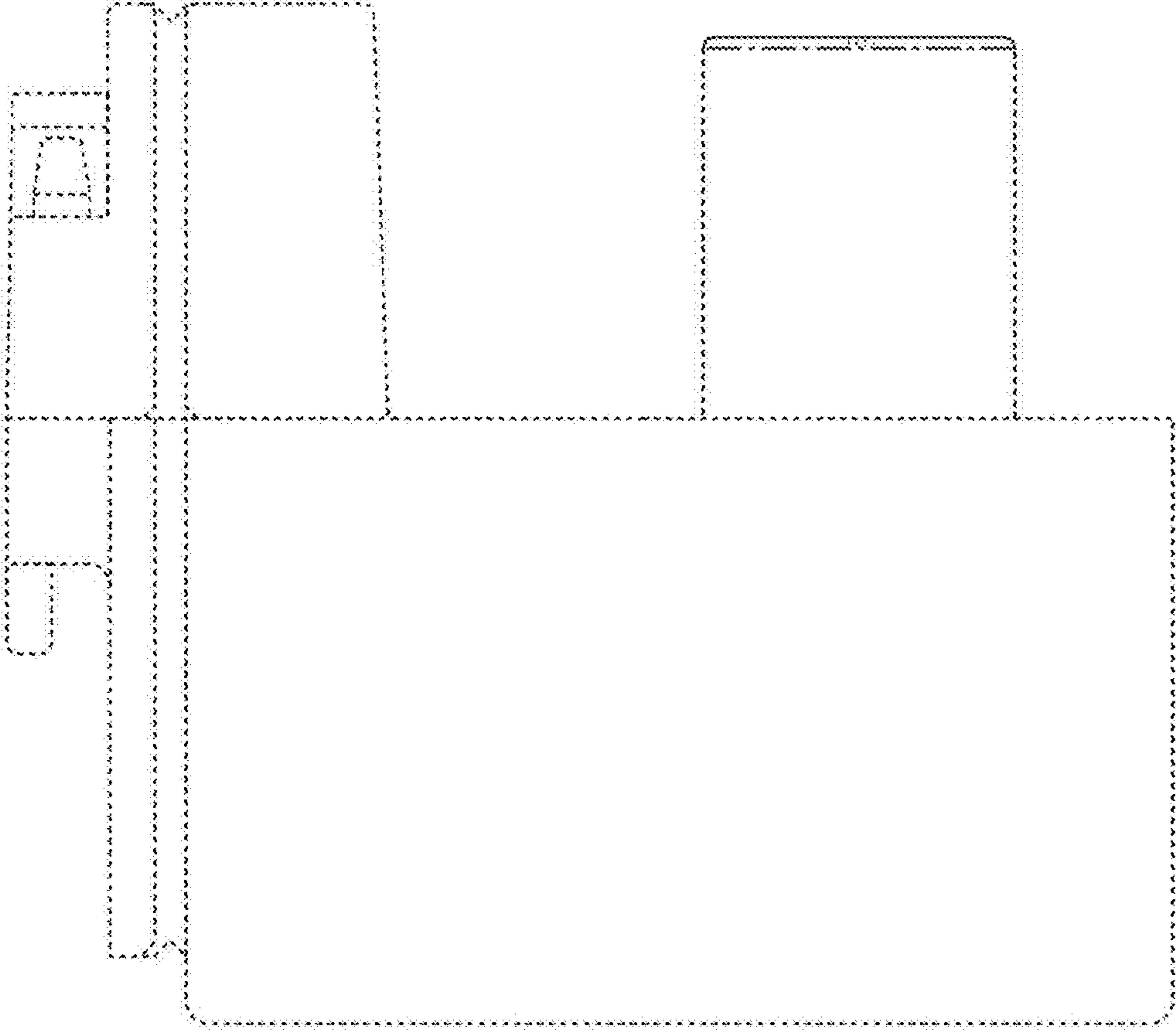


FIG. 6

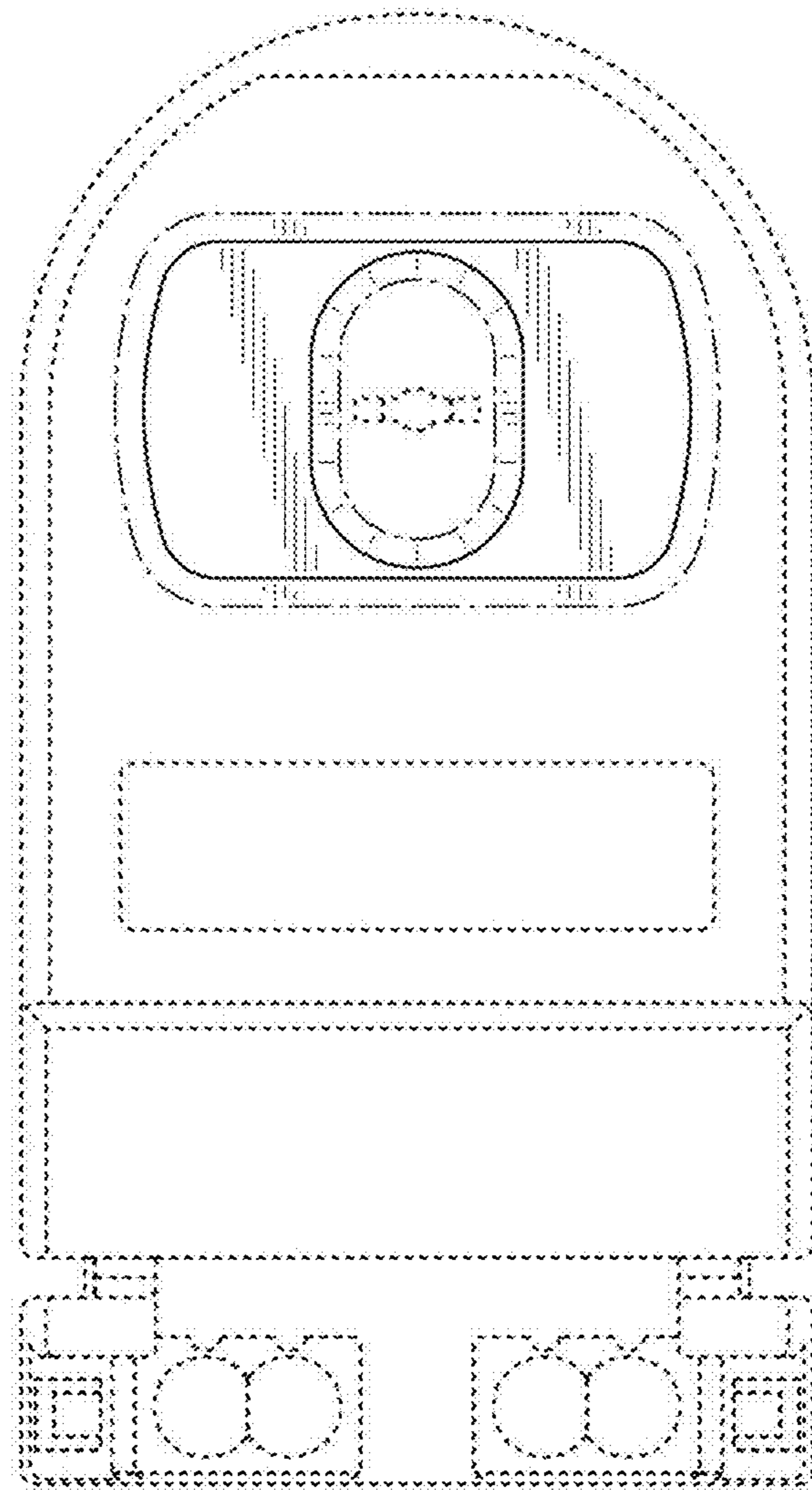


FIG. 7

