



US00D737772S

(12) **United States Design Patent**
Eustace

(10) **Patent No.:** **US D737,772 S**
(45) **Date of Patent:** **** Sep. 1, 2015**

- (54) **QUICK RELEASE GLOBE SOCKET**
- (71) Applicant: **Brian Eustace**, California, CA (US)
- (72) Inventor: **Brian Eustace**, California, CA (US)
- (73) Assignee: **Mole-Richardson Co., Ltd**, Hollywood, CA (US)

D436,078 S *	1/2001	Korte	D13/134
6,309,236 B1 *	10/2001	Ullrich	439/226
D467,872 S *	12/2002	Yeh	D13/133
D493,425 S *	7/2004	Henrici et al.	D13/134
D575,234 S *	8/2008	Zayas	D13/134
D591,237 S *	4/2009	Ohmori	D13/134
D616,368 S *	5/2010	Keogh	D13/134
D648,677 S *	11/2011	Yang	D13/134

* cited by examiner

- (**) Term: **14 Years**
- (21) Appl. No.: **29/441,054**
- (22) Filed: **Dec. 31, 2012**
- (51) **LOC (10) Cl.** **13-03**
- (52) **U.S. Cl.**
USPC **D13/134**
- (58) **Field of Classification Search**
USPC 313/318.01, 318.12; 362/430, 555, 581,
362/651; 439/131, 226, 236, 256, 300, 336,
439/534, 602, 604, 605; D13/133, 134,
D13/135, 136, 151, 154, 158, 180, 184,
D13/199; D26/106, 113, 2, 24, 26, 3, 60, 61
See application file for complete search history.

Primary Examiner — Derrick Holland
Assistant Examiner — Jennifer O King
 (74) *Attorney, Agent, or Firm* — Sheppard, Mullin, Richter & Hampton LLP

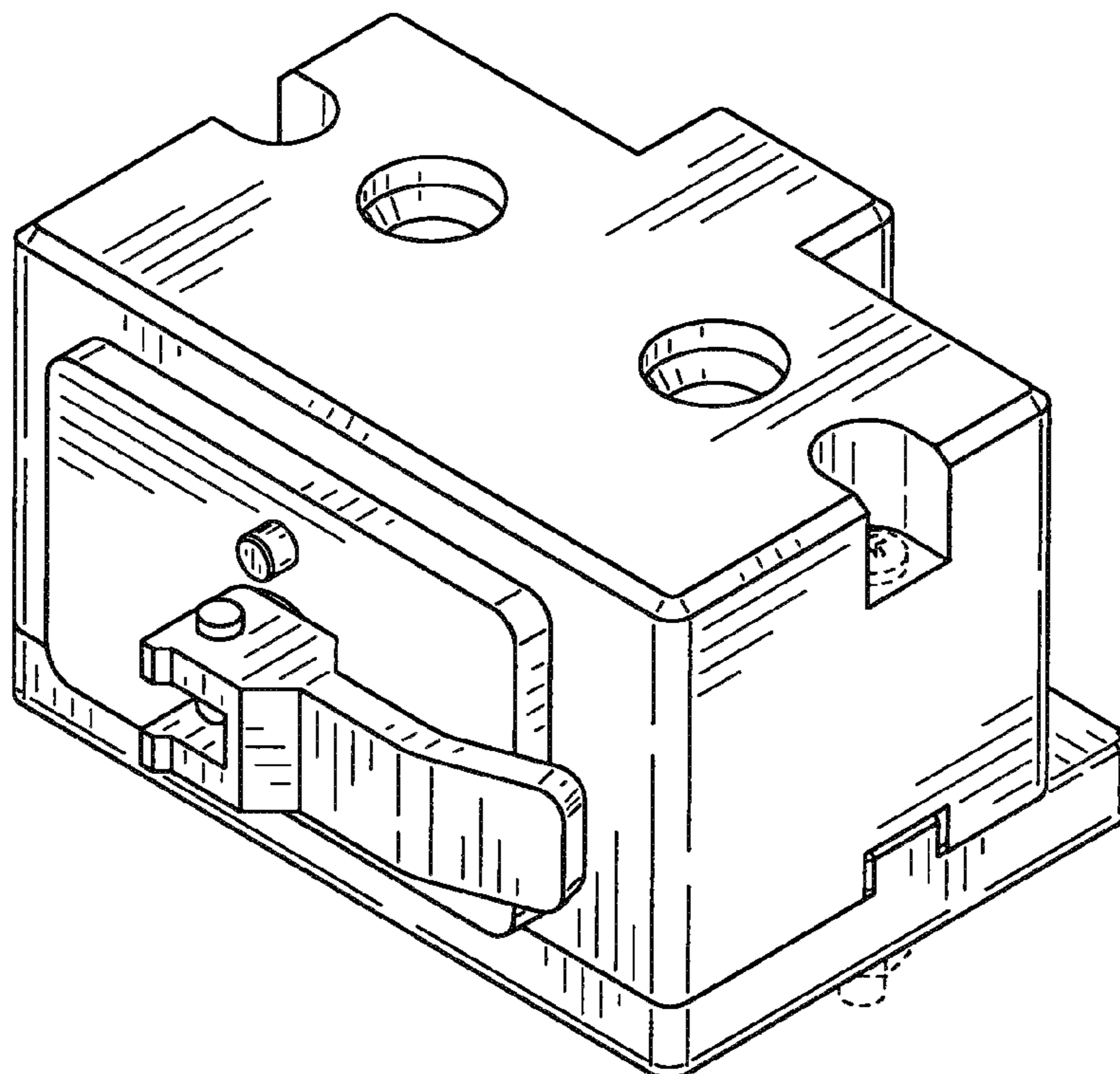
(57) **CLAIM**
 I claim the ornamental design for a quick release globe socket, as shown and described.

DESCRIPTION

FIG. 1 is a perspective view of a quick release globe socket showing my new design.
 FIG. 2 is a front elevational view thereof;
 FIG. 3 is a rear elevational view thereof;
 FIG. 4 is a left side elevational view thereof;
 FIG. 5 is a right side elevational view thereof;
 FIG. 6 is a top plan view thereof; and,
 FIG. 7 is a bottom plan view thereof.
 The broken lines shown represent unclaimed subject matter and form no part of the claimed design.

- (56) **References Cited**
 U.S. PATENT DOCUMENTS
 D283,121 S * 3/1986 Oesterheld et al. D13/134
 D307,001 S * 4/1990 Zuklie

1 Claim, 4 Drawing Sheets



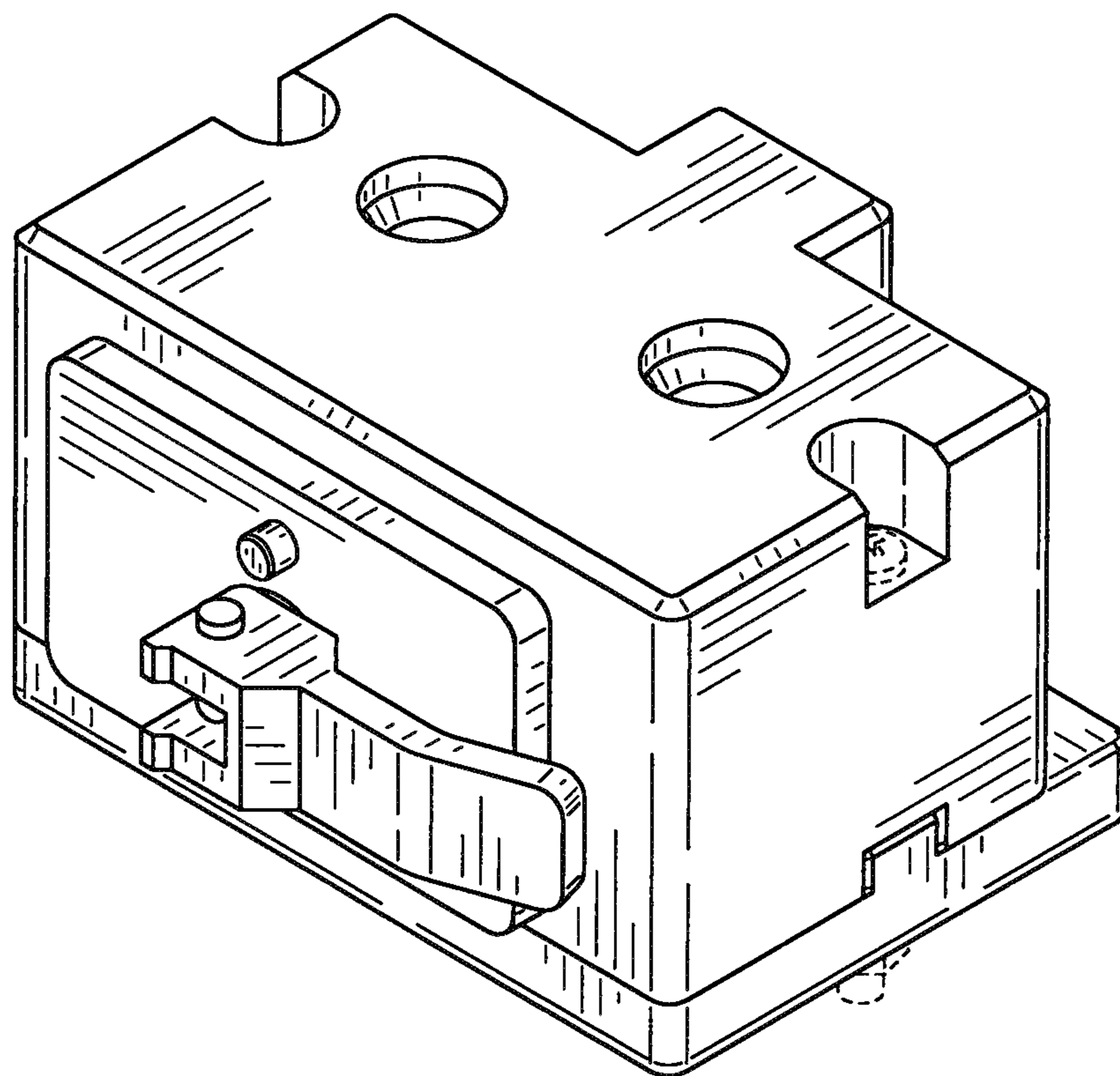


FIG. 1

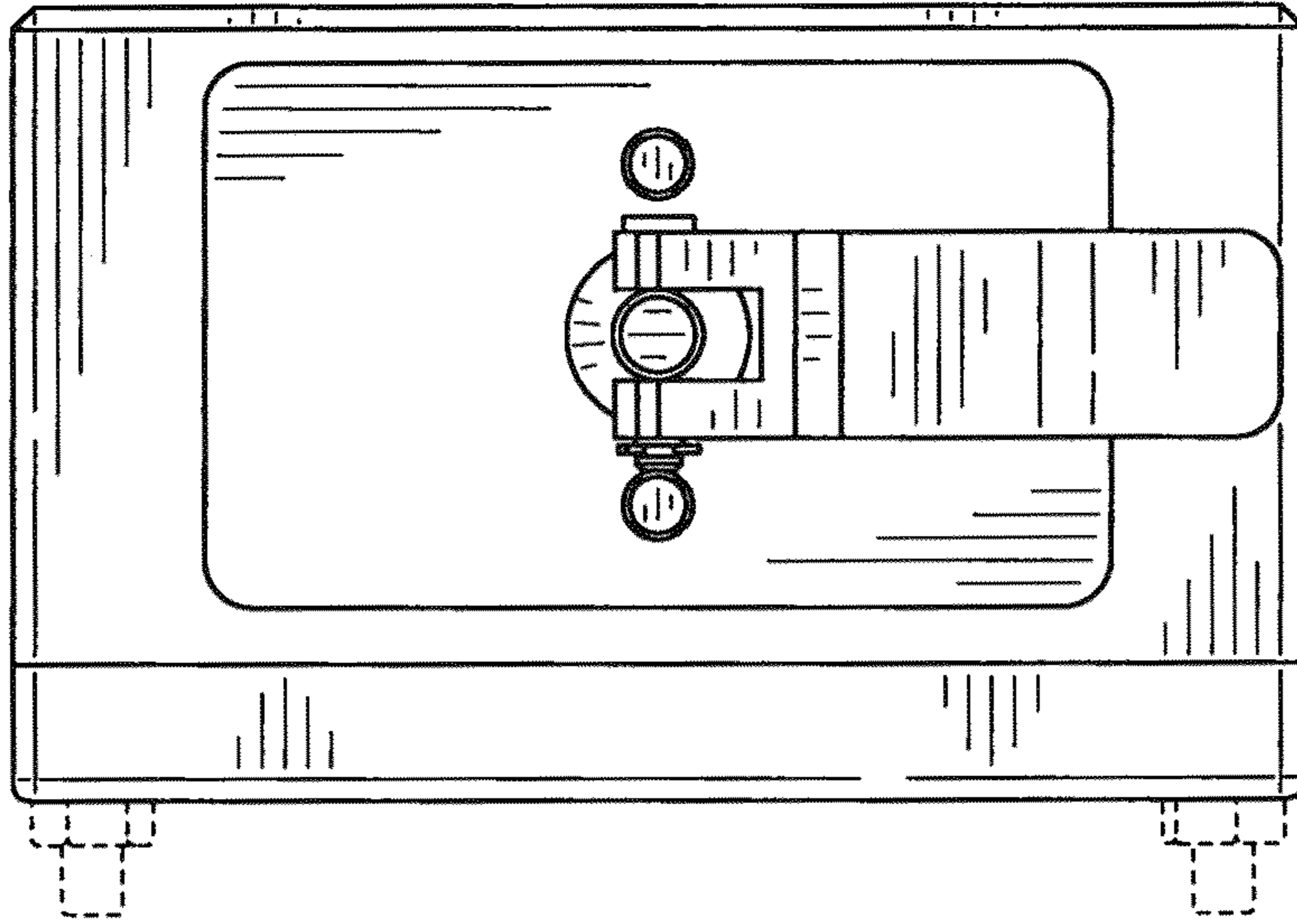


FIG. 2

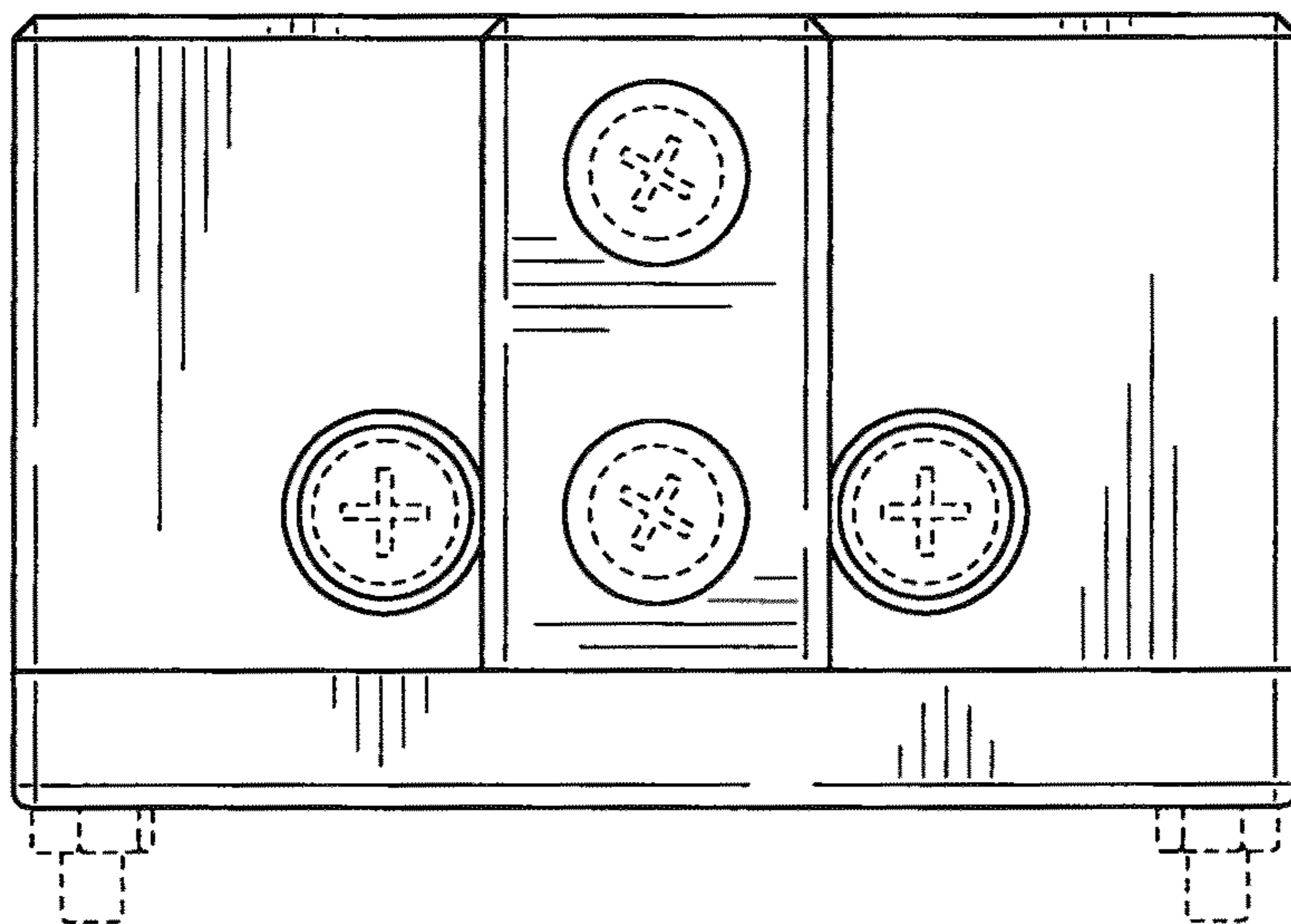


FIG. 3

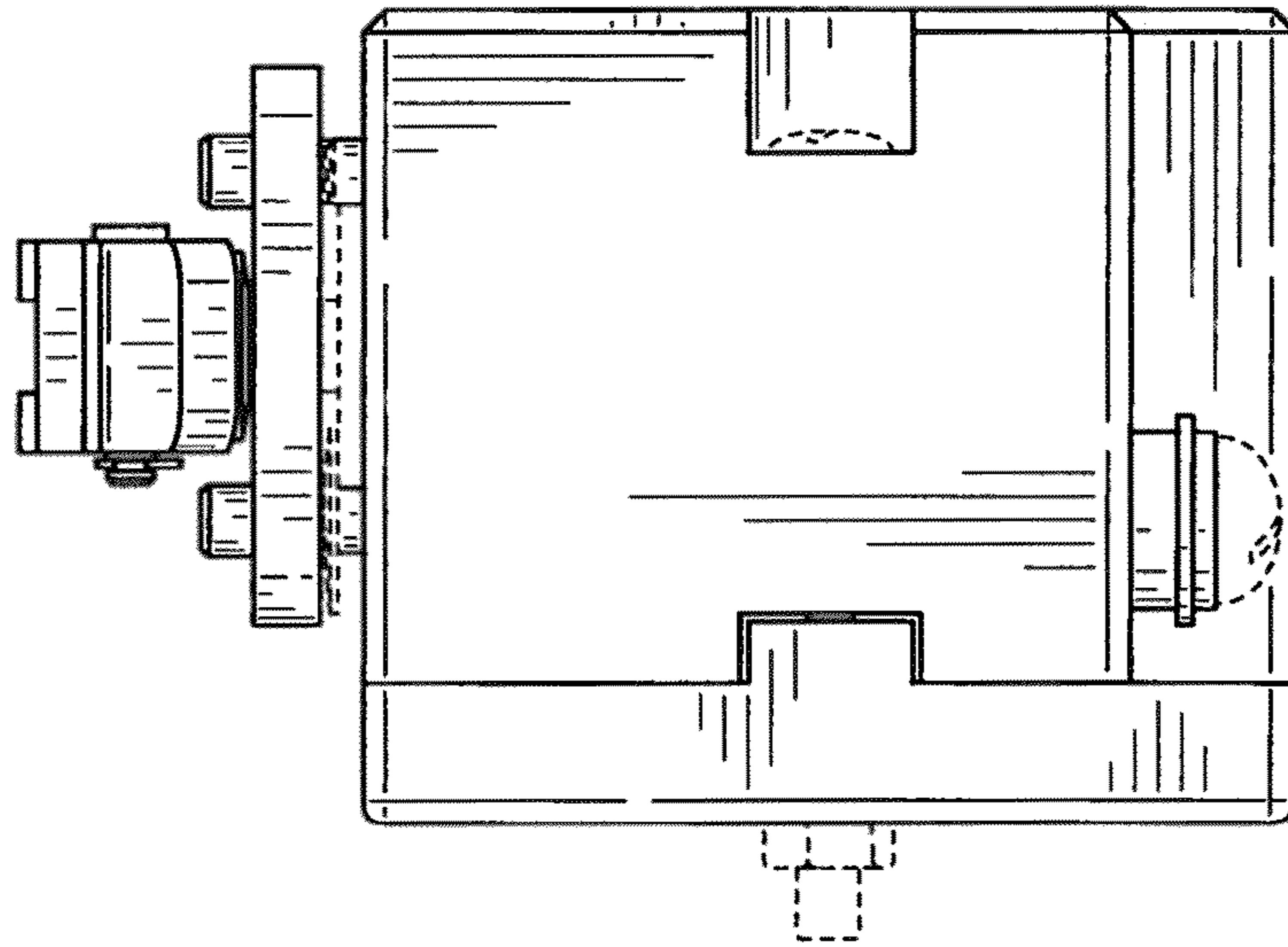


FIG. 4

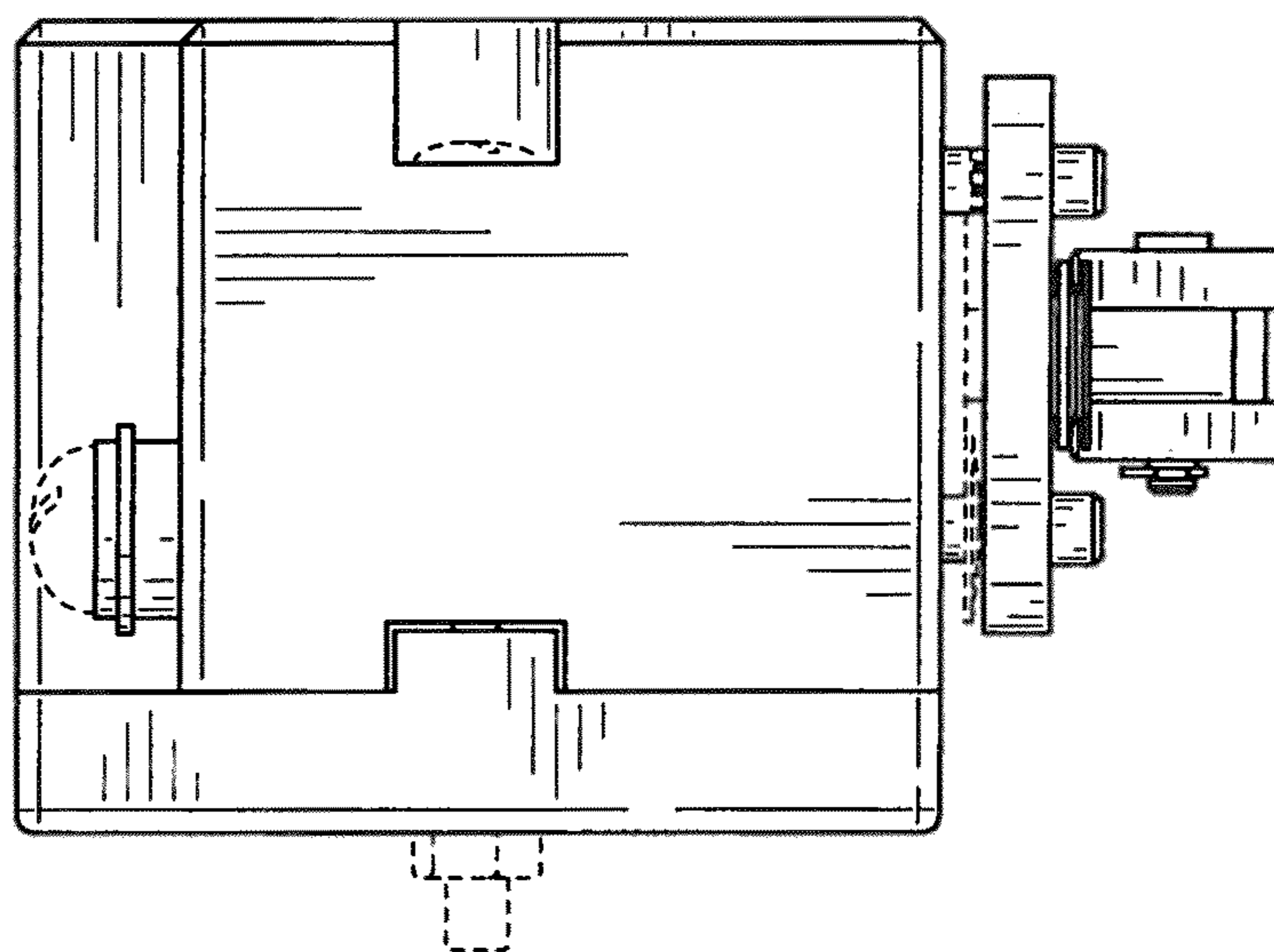


FIG. 5

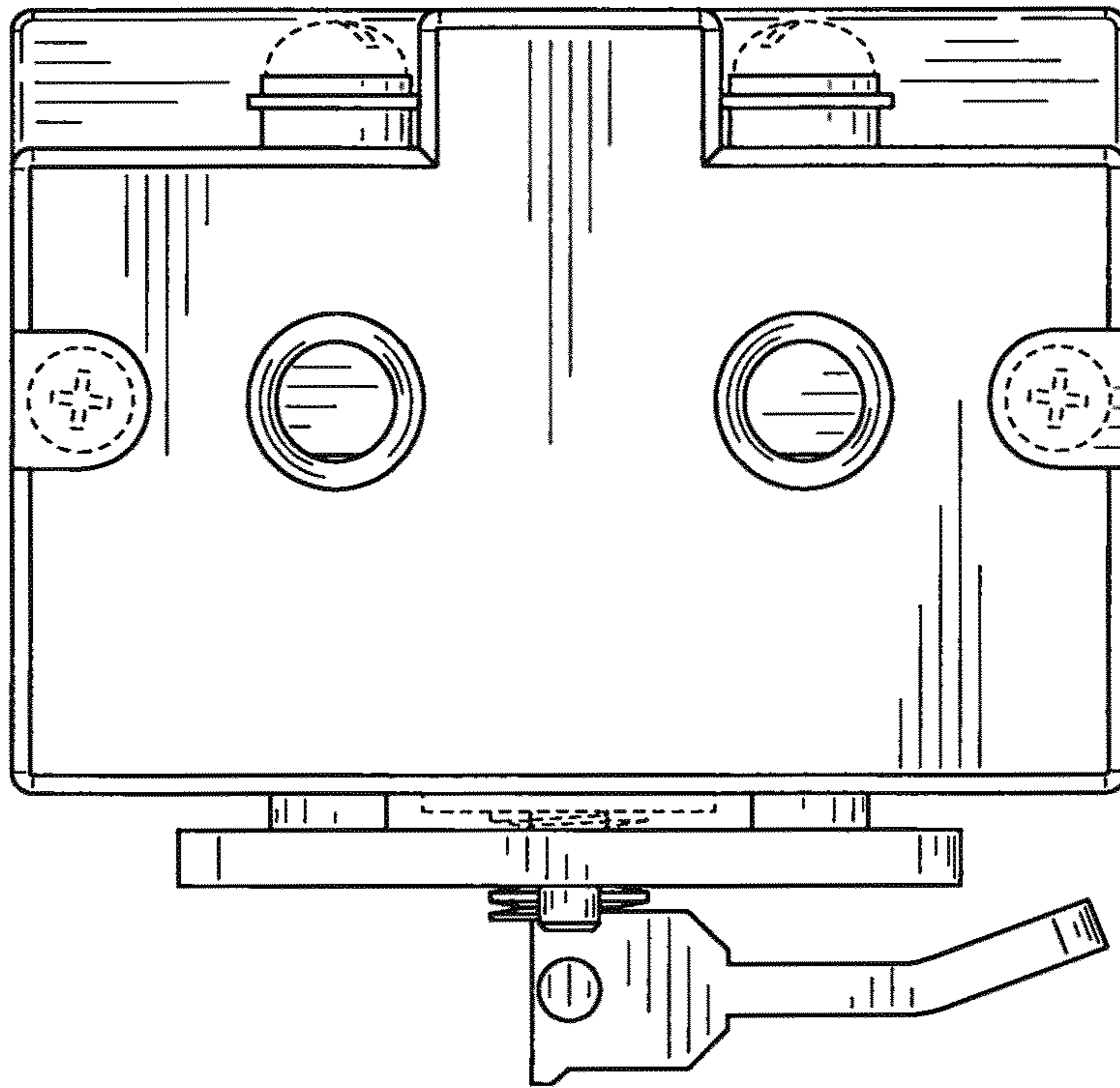


FIG. 6

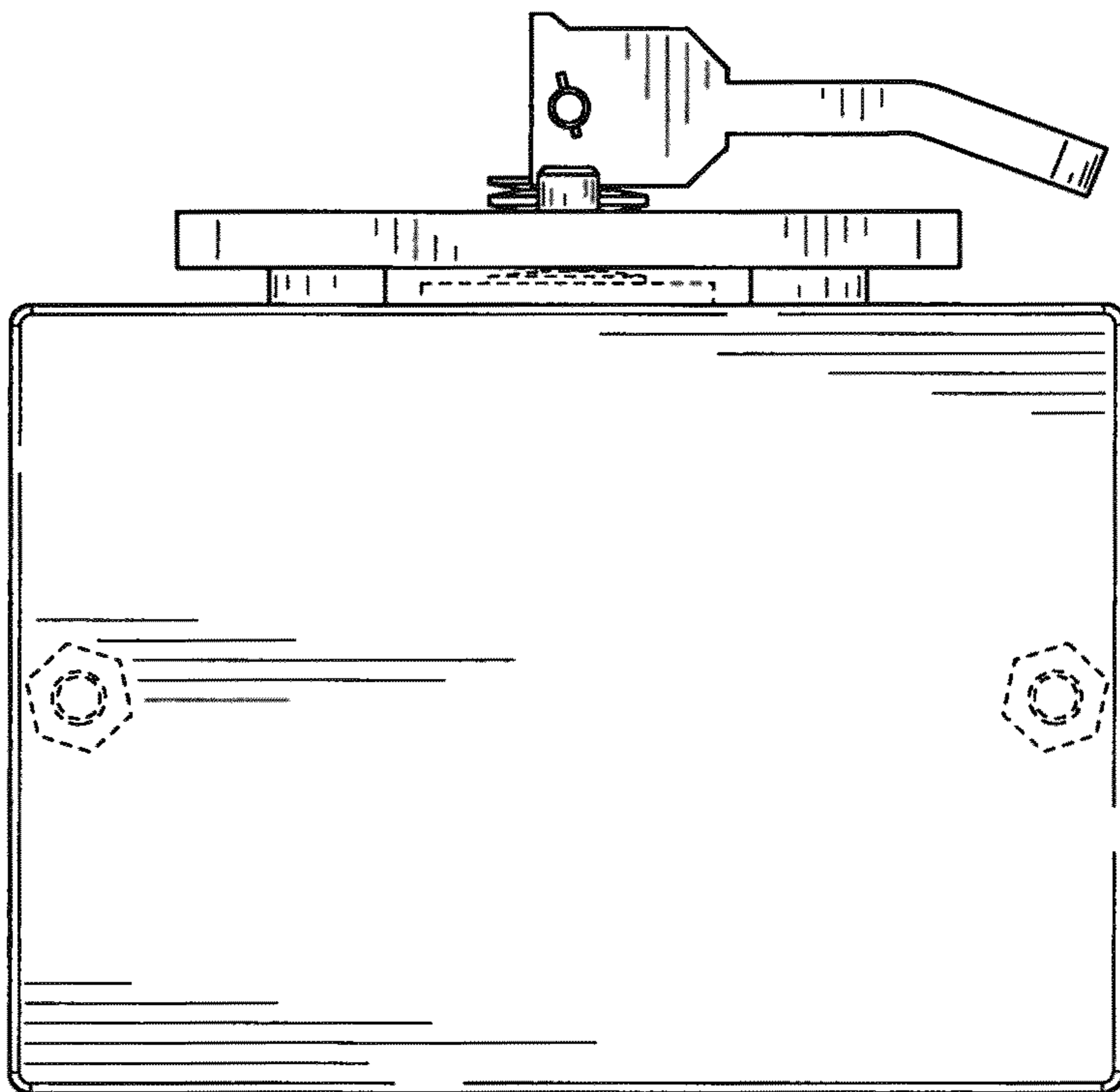


FIG. 7