



US00D737771S

(12) **United States Design Patent**  
**Hofmann**

(10) **Patent No.:** **US D737,771 S**  
(45) **Date of Patent:** **\*\* Sep. 1, 2015**

(54) **ELECTRICAL CONNECTOR**

D677,626 S \* 3/2013 Dobler ..... D13/133  
D677,627 S \* 3/2013 Dobler ..... D13/133  
2009/0186503 A1\* 7/2009 Dobler ..... 439/172

(71) Applicant: **NEUTRIK AG**, Schaan (LI)

(72) Inventor: **Thomas Hofmann**, Buchs (CH)

(73) Assignee: **NEUTRIK AG**, Schaan (LI)

(\*\*) Term: **14 Years**

(21) Appl. No.: **29/481,211**

(22) Filed: **Feb. 3, 2014**

(30) **Foreign Application Priority Data**

Dec. 12, 2013 (EP) ..... 001393623-0001  
Dec. 12, 2013 (EP) ..... 001393623-0002

(51) **LOC (10) Cl.** ..... **13-03**

(52) **U.S. Cl.**  
USPC ..... **D13/133**

(58) **Field of Classification Search**  
USPC ..... D13/123, 133, 147-149, 153-156, 184,  
D13/199; D14/203, 217, 223, 299  
CPC .... H01R 31/06; H01R 13/6271; H01R 12/70;  
H01R 13/66; H01R 33/00; H01R 25/00;  
H01R 24/00; H01R 26/00; H01R 27/00;  
H01R 28/00; H01R 29/00; H01R 13/20;  
H01R 13/54

See application file for complete search history.

(56) **References Cited**

**U.S. PATENT DOCUMENTS**

D501,826 S 2/2005 Bachmann  
D512,023 S 11/2005 Bachmann  
D512,378 S \* 12/2005 Dobler ..... D13/146  
D512,965 S \* 12/2005 Dobler ..... D13/146  
D514,069 S 1/2006 Bachmann  
D524,738 S \* 7/2006 Dobler ..... D13/133  
D587,202 S \* 2/2009 Dobler ..... D13/133  
D671,892 S \* 12/2012 Keith et al. .... D13/133

**FOREIGN PATENT DOCUMENTS**

CN 02 305 193.0 12/2002  
CN 02 305 192.2 1/2003  
CN 02 305 195.7 1/2003  
EM 000 152 970-0002 6/2004  
EM 000 152 970-0003 6/2004  
EM 000 152 970-0004 6/2004  
EM 000 152 970-0006 6/2004

(Continued)

**OTHER PUBLICATIONS**

Pictures of 4 Connectors (undated).

(Continued)

*Primary Examiner* — Thomas Johannes

*Assistant Examiner* — Shawn T Gingrich

(74) *Attorney, Agent, or Firm* — Harris Beach PLLC; Neal L. Slifkin

(57) **CLAIM**

The ornamental design for an electrical connector, as shown and described.

**DESCRIPTION**

FIG. 1 is a perspective view of an electrical connector showing my design;

FIG. 2 is a right side elevation view thereof;

FIG. 3 is left side elevation view thereof;

FIG. 4 is top plan view thereof;

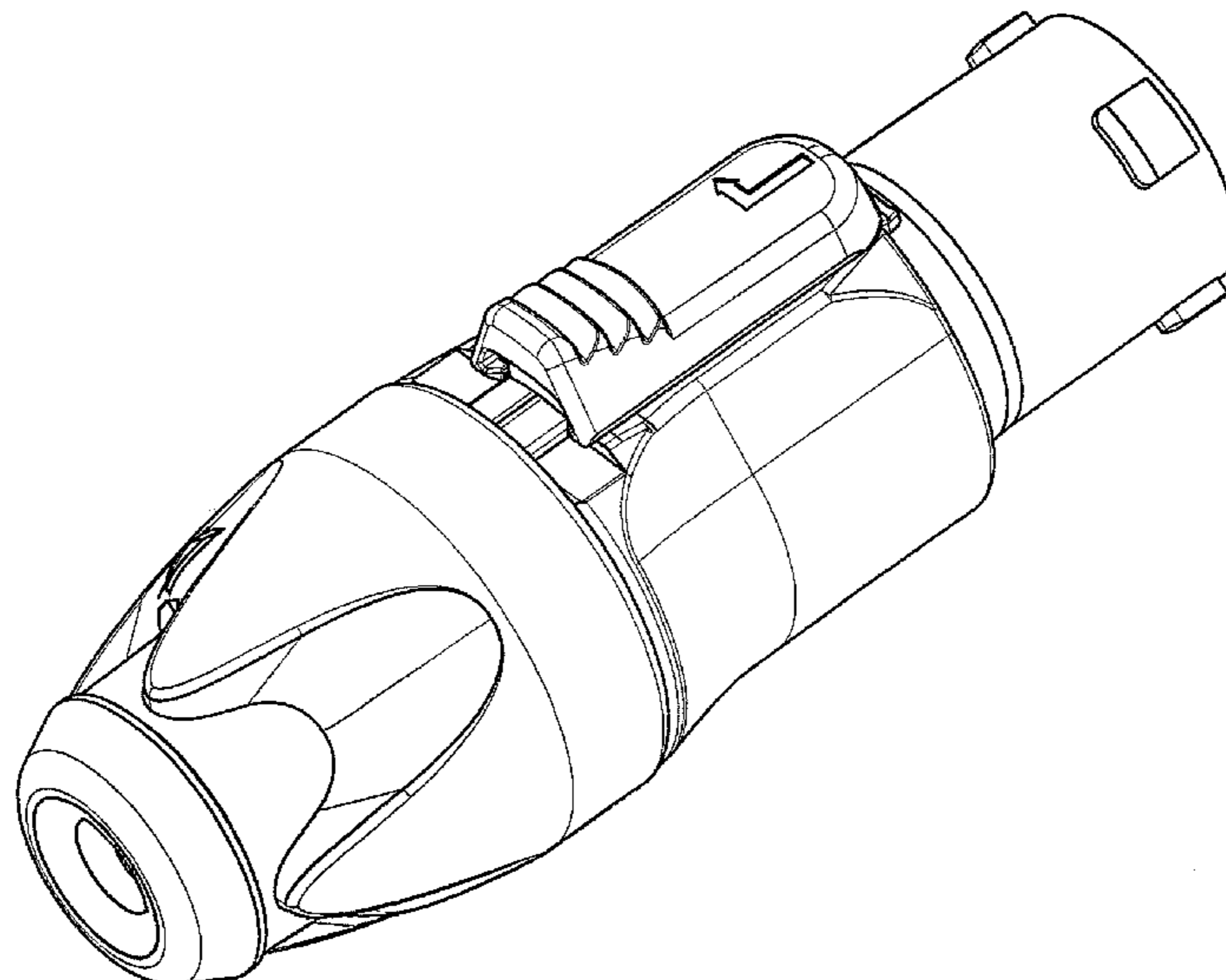
FIG. 5 is a bottom plan view thereof;

FIG. 6 is a rear elevation view thereof; and,

FIG. 7 is a front elevation view thereof.

The broken line portion of the figure drawings is included to show unclaimed subject matter only and forms no part of the claimed design.

**1 Claim, 7 Drawing Sheets**



(56)

**References Cited**

FOREIGN PATENT DOCUMENTS

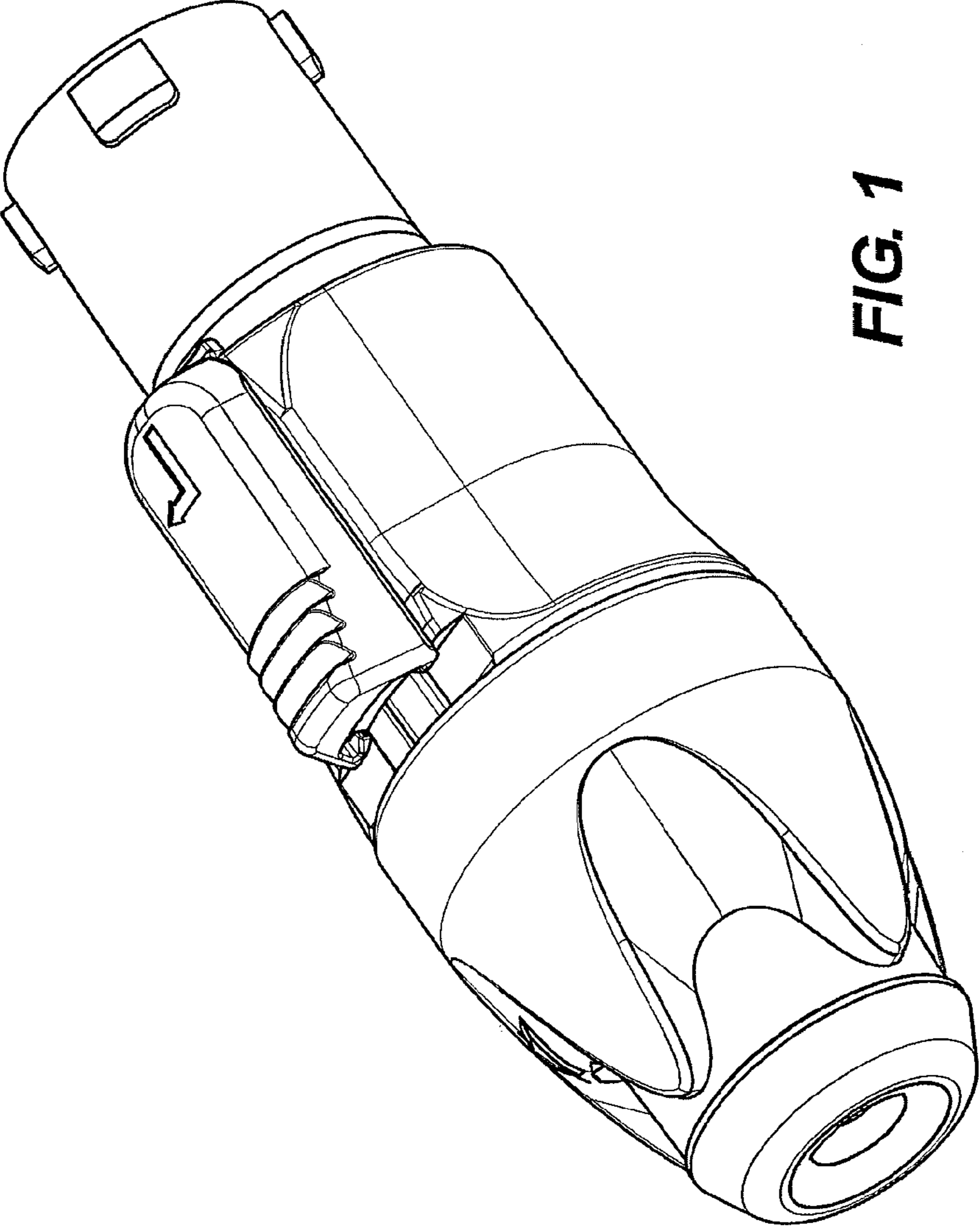
EM	000 445 218-0001	2/2006
EM	000 445 218-0002	2/2006
EM	000 445 218-0003	2/2006
EM	000 741 152-0001	7/2007
EM	001 229 827-0001	8/2010
EM	001 229 827-0002	8/2010
EM	001 229 827-0003	8/2010
EM	001 229 827-0004	8/2010
EM	001 229 827-0007	8/2010
EM	001 229 827-0008	8/2010
EM	001 229 827-0009	8/2010
EM	001 229 827-0010	8/2010
EM	001 371 843-0001	5/2013
EM	001 371 843-0002	5/2013
EM	001 371 843-0003	5/2013
EM	001 371 843-0004	5/2013
EM	001 371 843-0005	5/2013
EM	001 386 684-0001	10/2013

EM	001 386 684-0002	10/2013
EM	001 386 684-0003	10/2013
EM	001 386 684-0004	10/2013
EM	001 386 684-0005	10/2013
EM	001 386 684-0006	10/2013
EM	001 386 684-0014	10/2013
EM	001 386 684-0015	10/2013

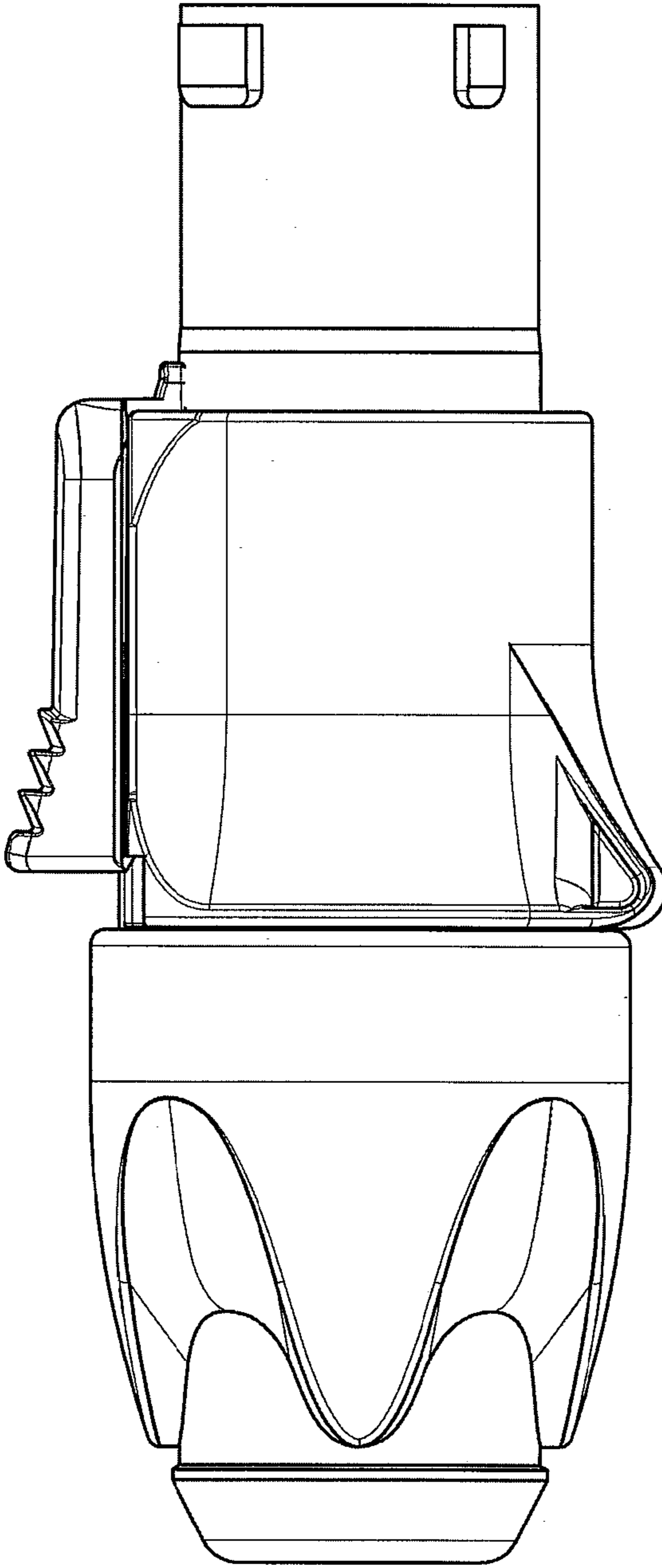
**OTHER PUBLICATIONS**

US Trademark Supplemental Registration 2,863,822, registered Jul. 13, 2004.  
EM Trademark Registration 002382786, Apr. 25, 2005.  
EM Trademark Registration 003717361, Sep. 13, 2005.  
EM Trademark Registration 003717303, Jun. 26, 2006.  
EM Trademark Registration 009351305 Mar. 25, 2011.  
EM Trademark Registration 009351297 Mar. 25, 2011.  
Neutrik Product Guide 2012/13, published Mar. 21, 2012; front page and pp. 3, 7, 64, 66, 67, 70, 115, 116, 118, 119 and 120.

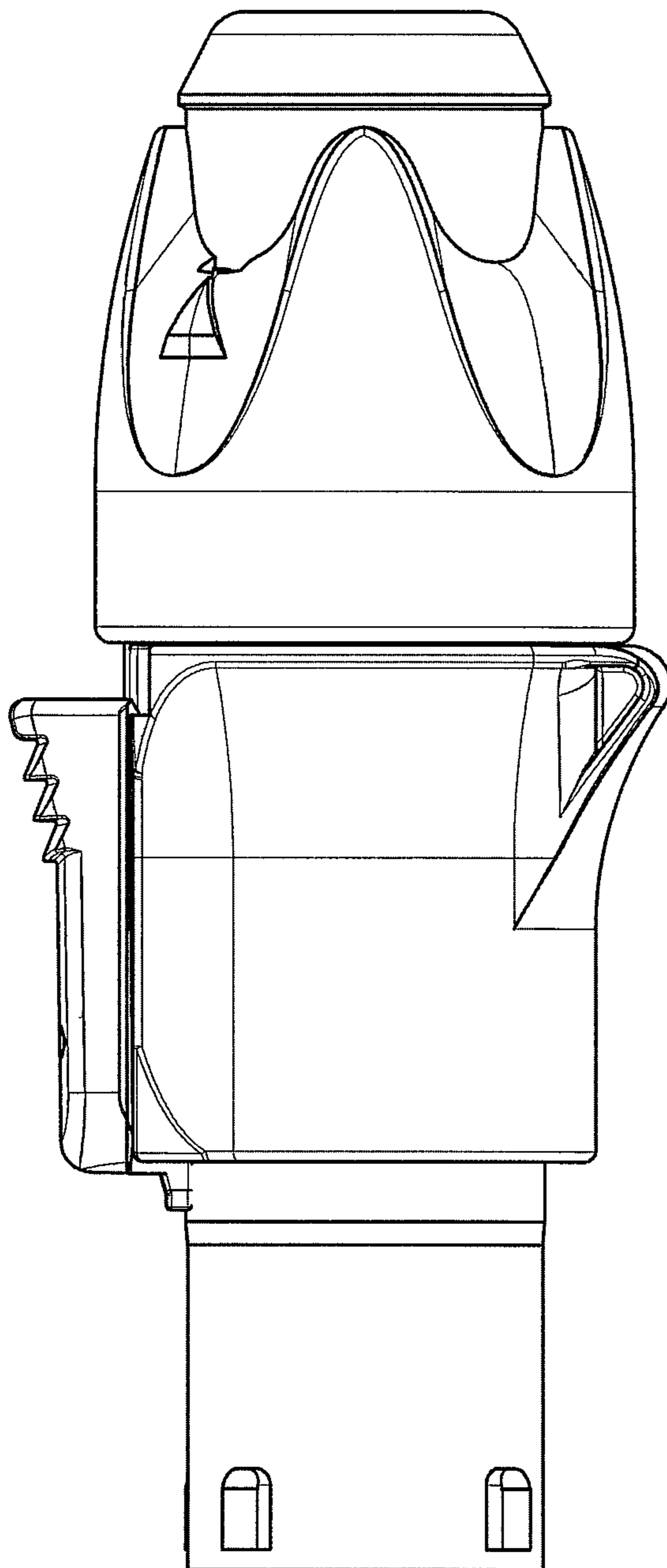
\* cited by examiner



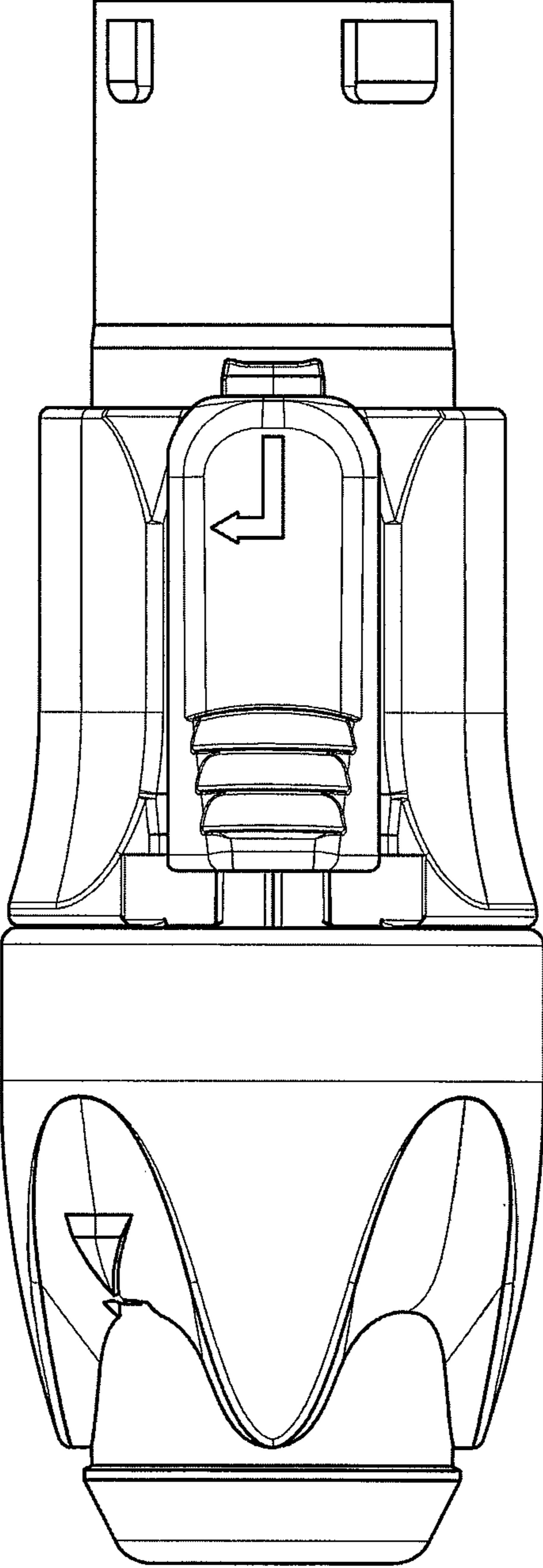
**FIG. 1**



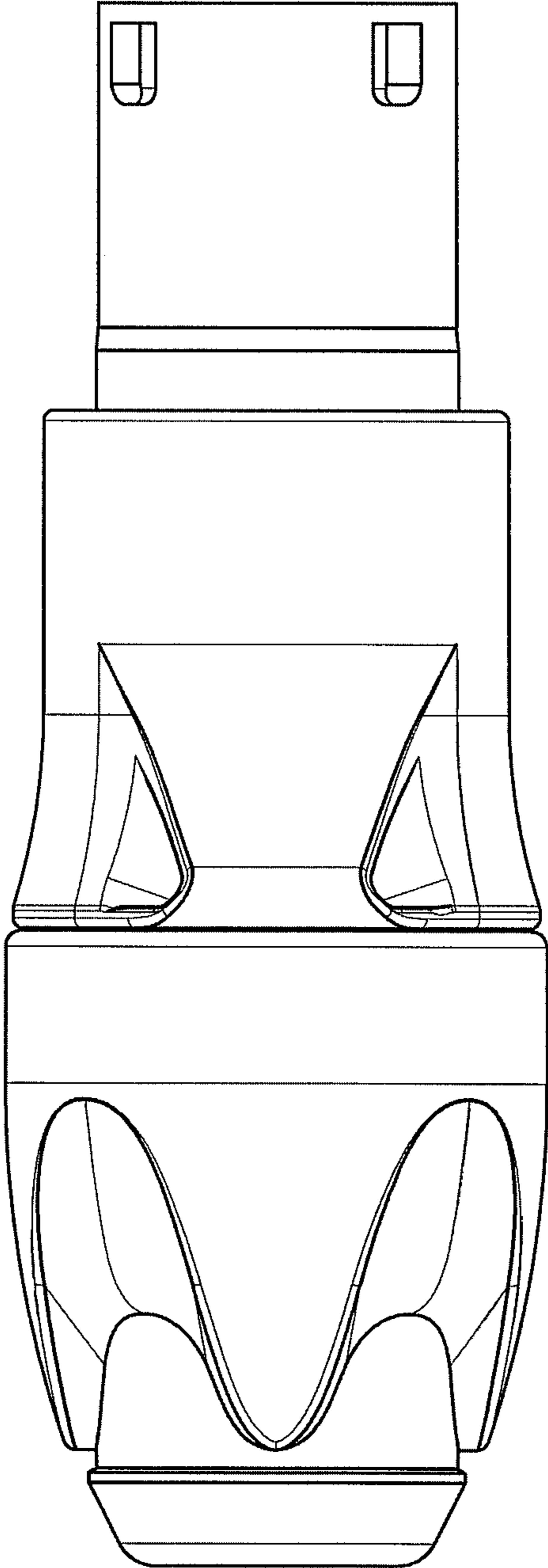
**FIG. 2**



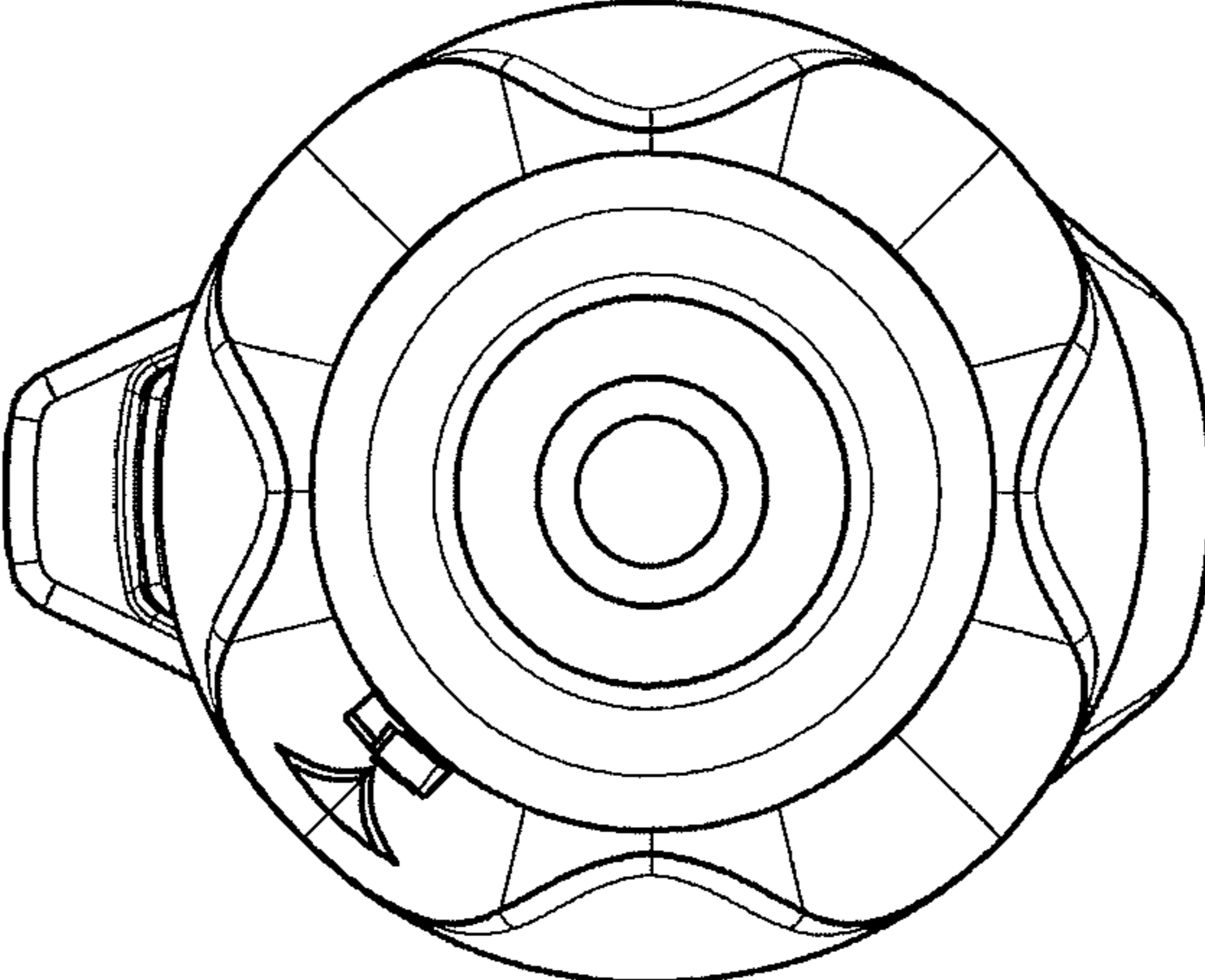
**FIG. 3**



**FIG. 4**

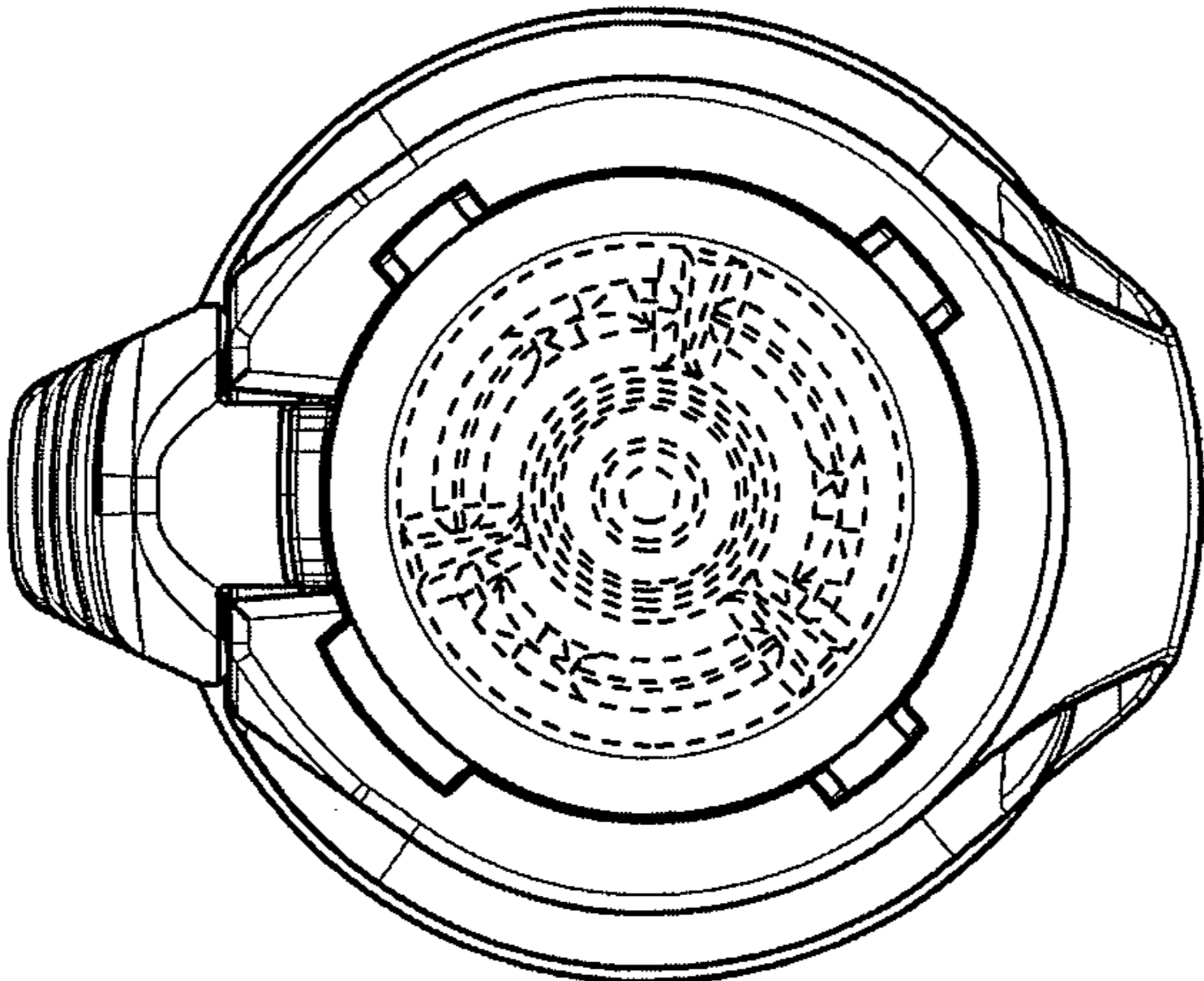


**FIG. 5**



**FIG. 6**





**FIG. 7**