



US00D737766S

(12) **United States Design Patent**  
**Faskin**

(10) **Patent No.:** **US D737,766 S**

(45) **Date of Patent:** **\*\* Sep. 1, 2015**

(54) **DEVICE**

(75) Inventor: **Keith Faskin**, Galashiels (GB)

(73) Assignee: **Bosch Rexroth AG**, Lohr am Main (DE)

(\*\*) Term: **14 Years**

(21) Appl. No.: **29/412,516**

(22) Filed: **Feb. 3, 2012**

(30) **Foreign Application Priority Data**

Aug. 5, 2011 (EM) ..... 001901513

(51) **LOC (10) Cl.** ..... **13-01**

(52) **U.S. Cl.**  
USPC ..... **D13/112**

(58) **Field of Classification Search**  
USPC ..... D13/112, 113, 114, 122, 199; D15/3, 5,  
D15/199; 74/606 R, 609; 310/10, 40 R, 42,  
310/51, 58, 71, 80, 83, 85, 89, 91, 109, 236,  
310/239, 254; 318/245, 255

See application file for complete search history.

(56) **References Cited**

**U.S. PATENT DOCUMENTS**

4,673,837 A \* 6/1987 Gingerich et al. .... 310/239  
D294,141 S \* 2/1988 Ueda et al. .... D13/112

D360,615 S \* 7/1995 Sakashita et al. .... D13/112  
D401,553 S \* 11/1998 Pearce et al. .... D13/112  
D502,917 S \* 3/2005 Bird et al. .... D13/114  
D551,167 S \* 9/2007 Kubota et al. .... D13/112  
D611,410 S \* 3/2010 Sturm et al. .... D13/112

\* cited by examiner

*Primary Examiner* — Derrick Holland

(74) *Attorney, Agent, or Firm* — Maginot, Moore & Beck LLP

(57) **CLAIM**

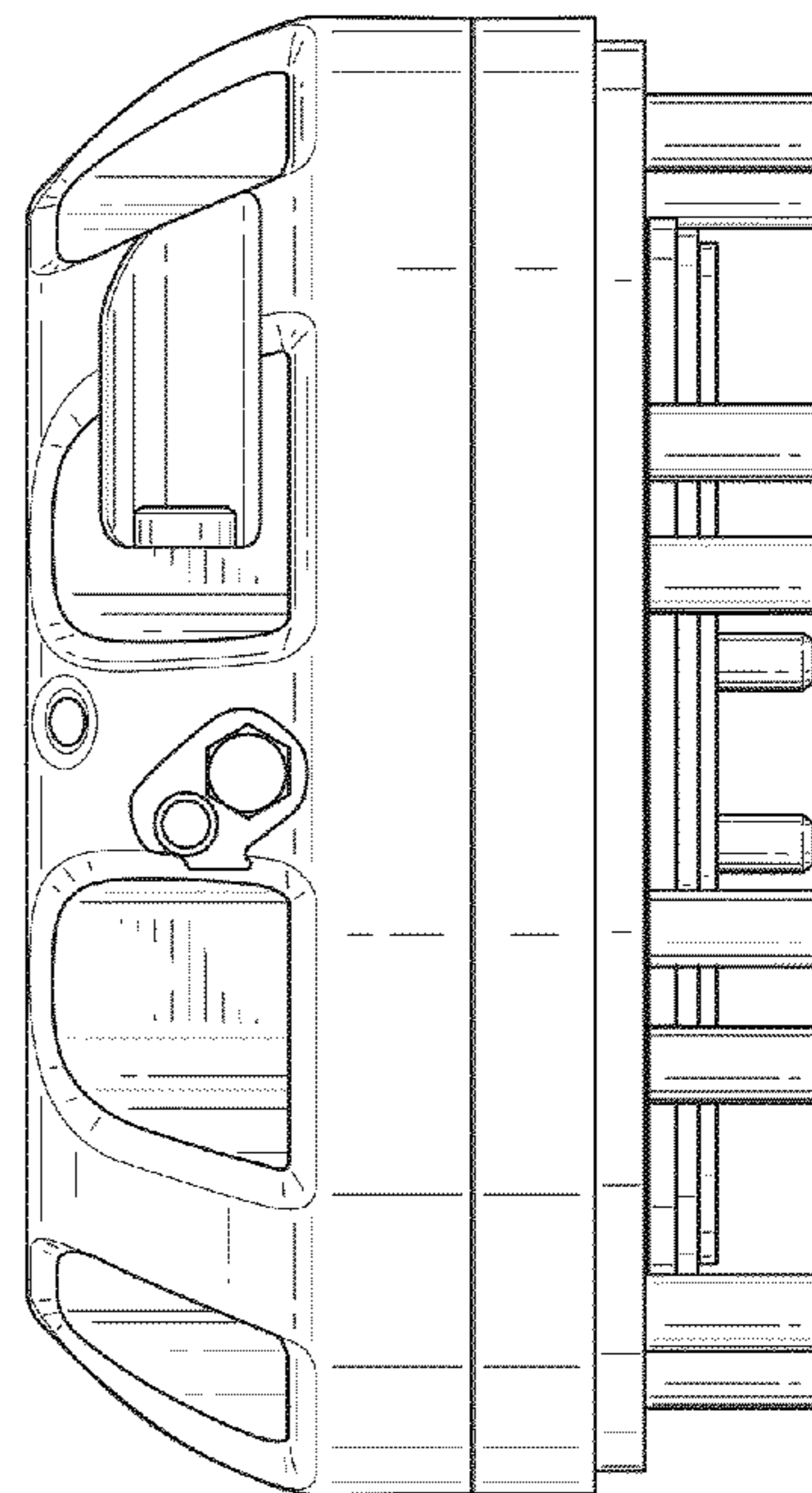
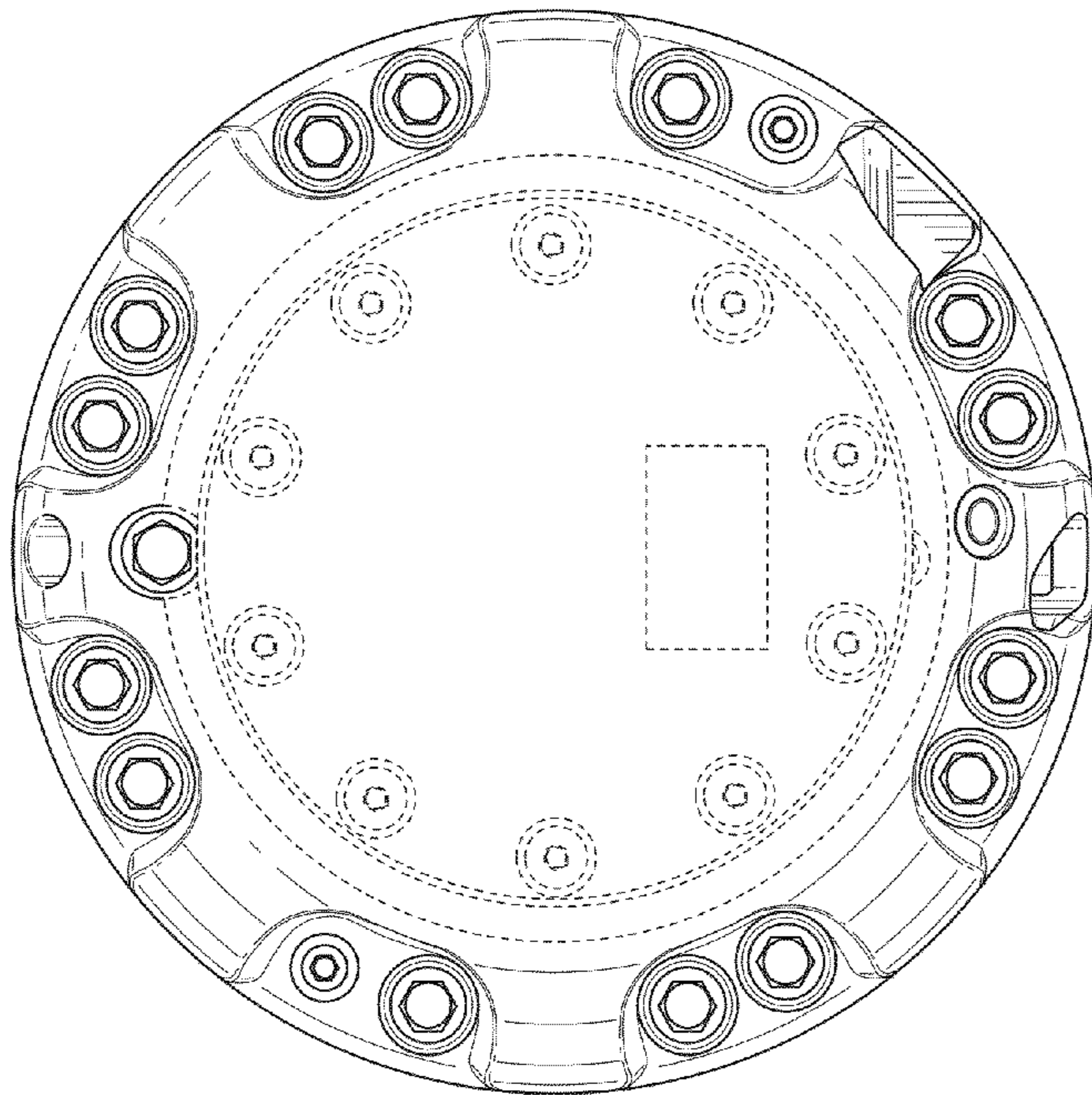
The ornamental design for a device, as shown and described.

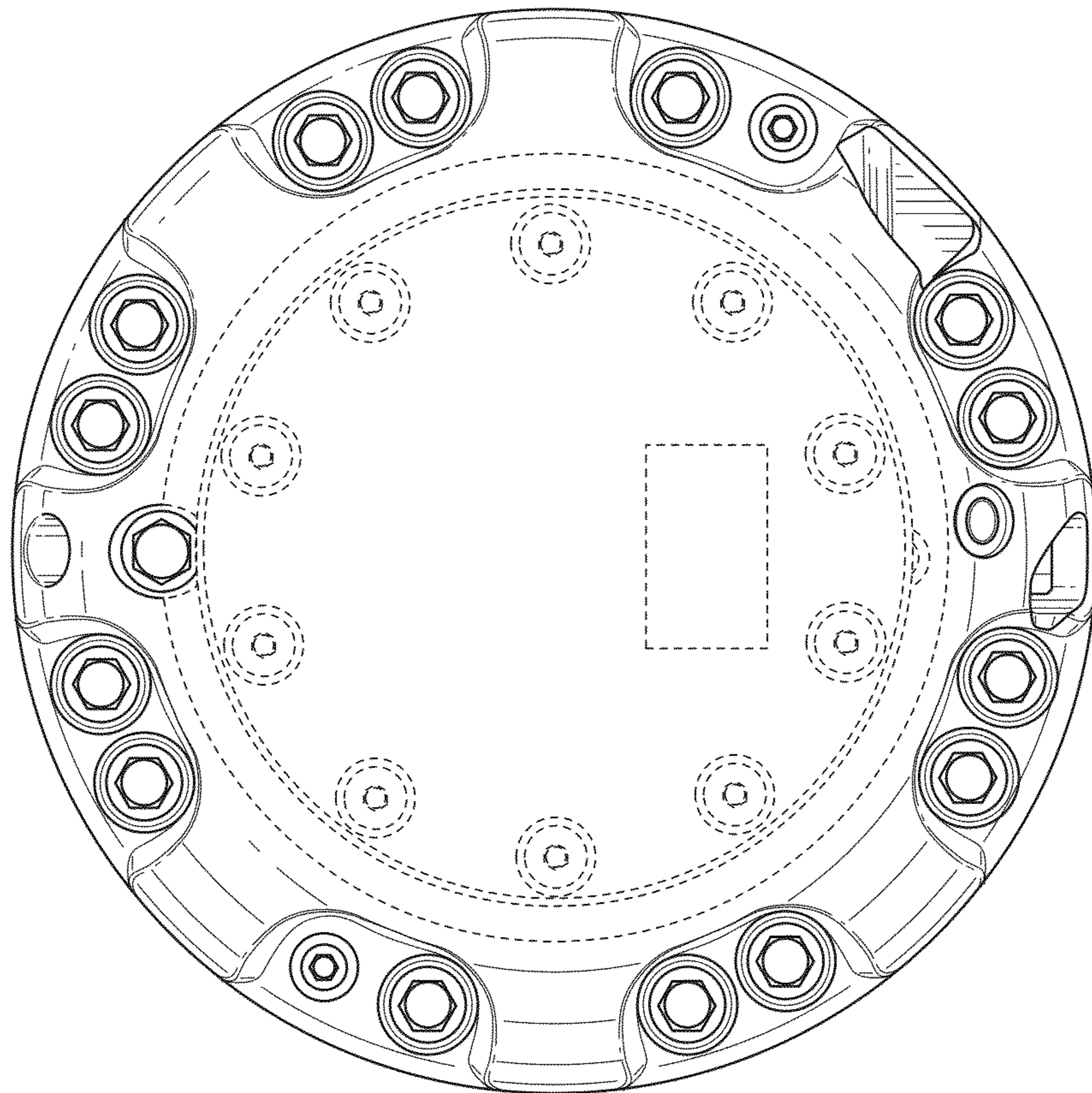
**DESCRIPTION**

FIG. 1 is a front elevational view of a first embodiment of a device showing my new design;  
FIG. 2 is a left side elevational view thereof;  
FIG. 3 is a bottom plan view thereof;  
FIG. 4 is a right side elevational view thereof;  
FIG. 5 is a top plan view thereof;  
FIG. 6 is a rear elevational view thereof;  
FIG. 7 is a front elevational view of a second embodiment of a device showing my new design;  
FIG. 8 is a left side elevational view thereof;  
FIG. 9 is a bottom plan view thereof;  
FIG. 10 is a right side elevational view thereof;  
FIG. 11 is a top plan view thereof; and,  
FIG. 12 is a rear elevational view thereof.

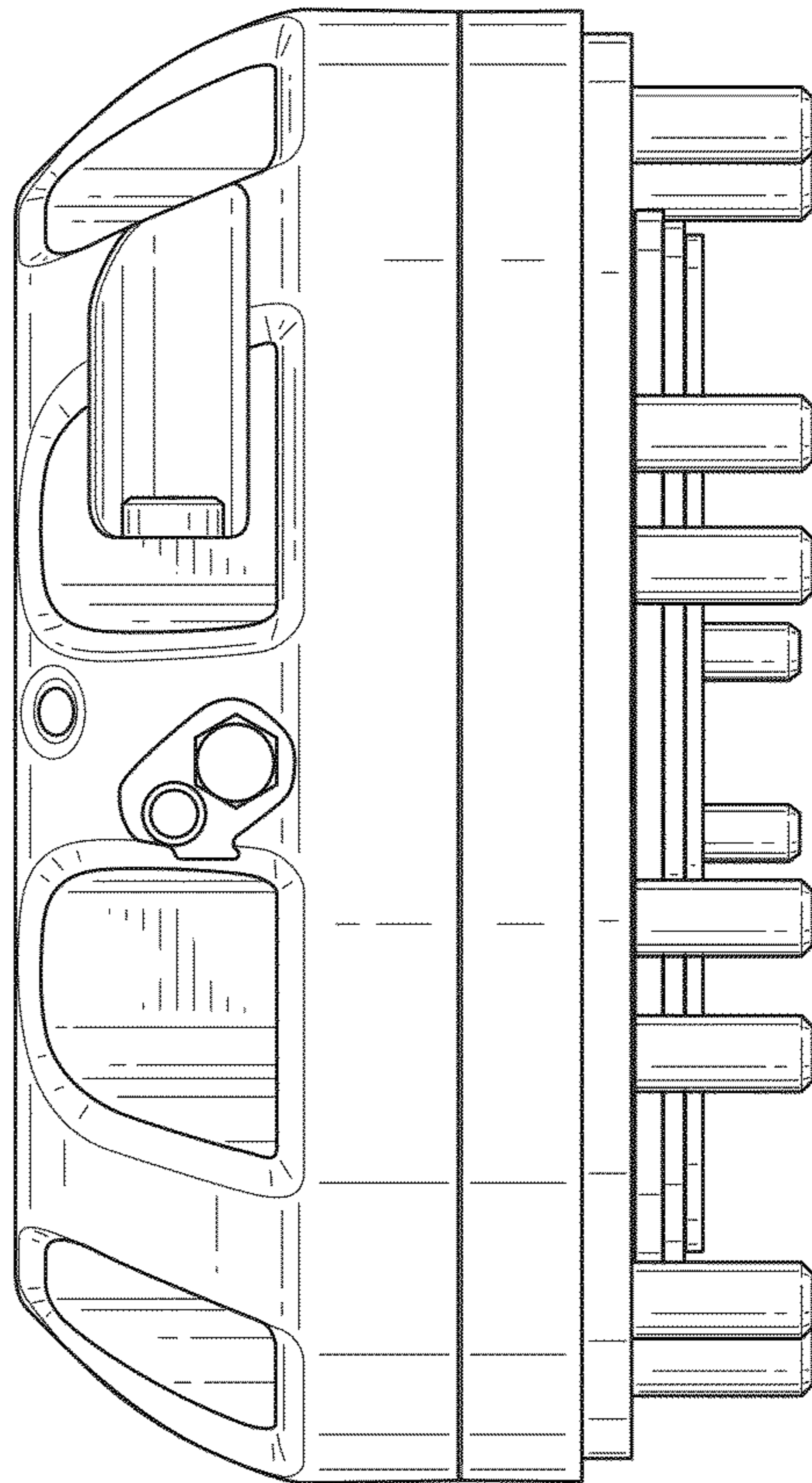
The broken lines shown represent unclaimed subject matter and form no part of the claimed design.

**1 Claim, 12 Drawing Sheets**



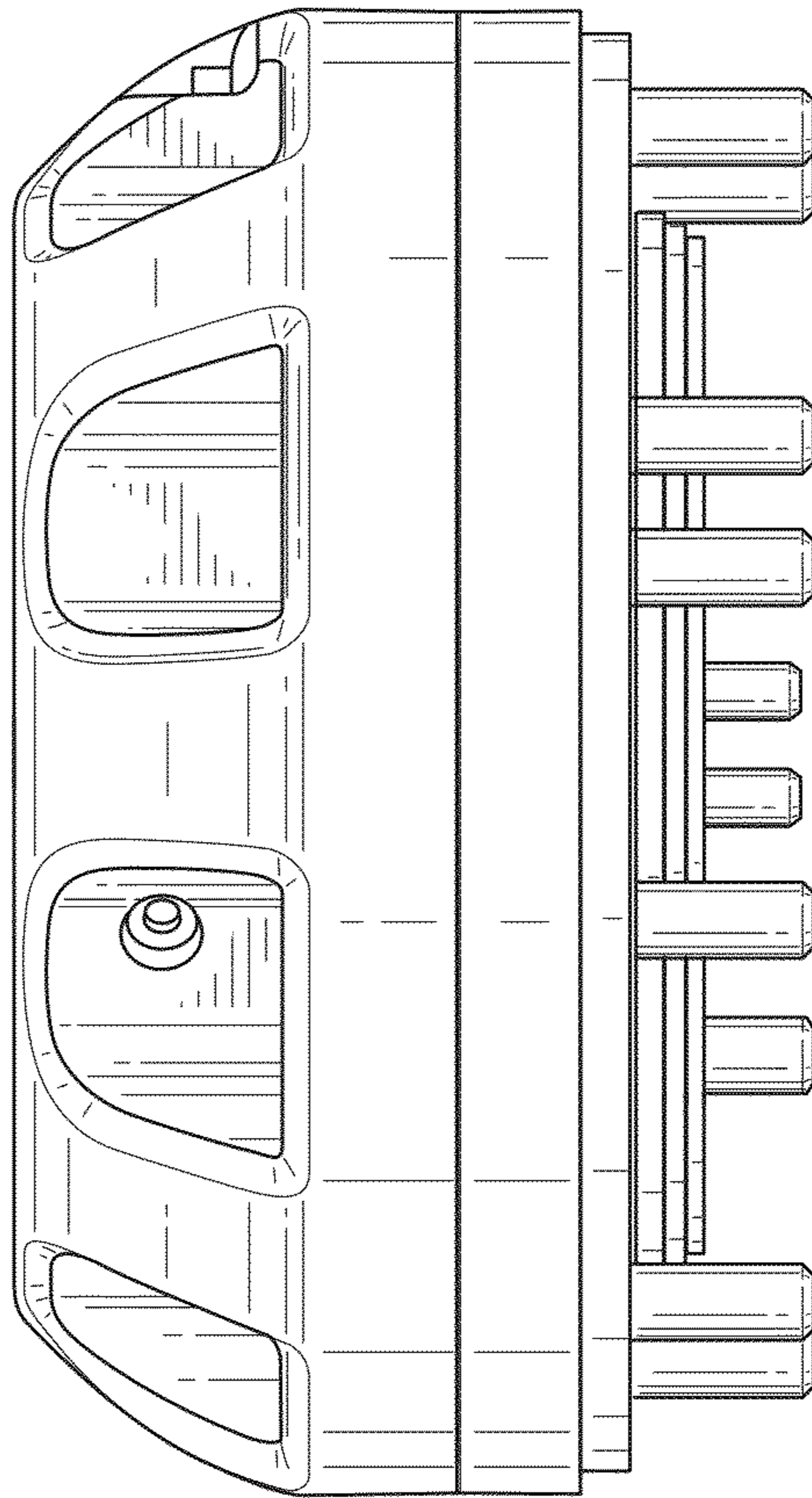


**FIG. 1**



**FIG. 2**





**FIG. 3**

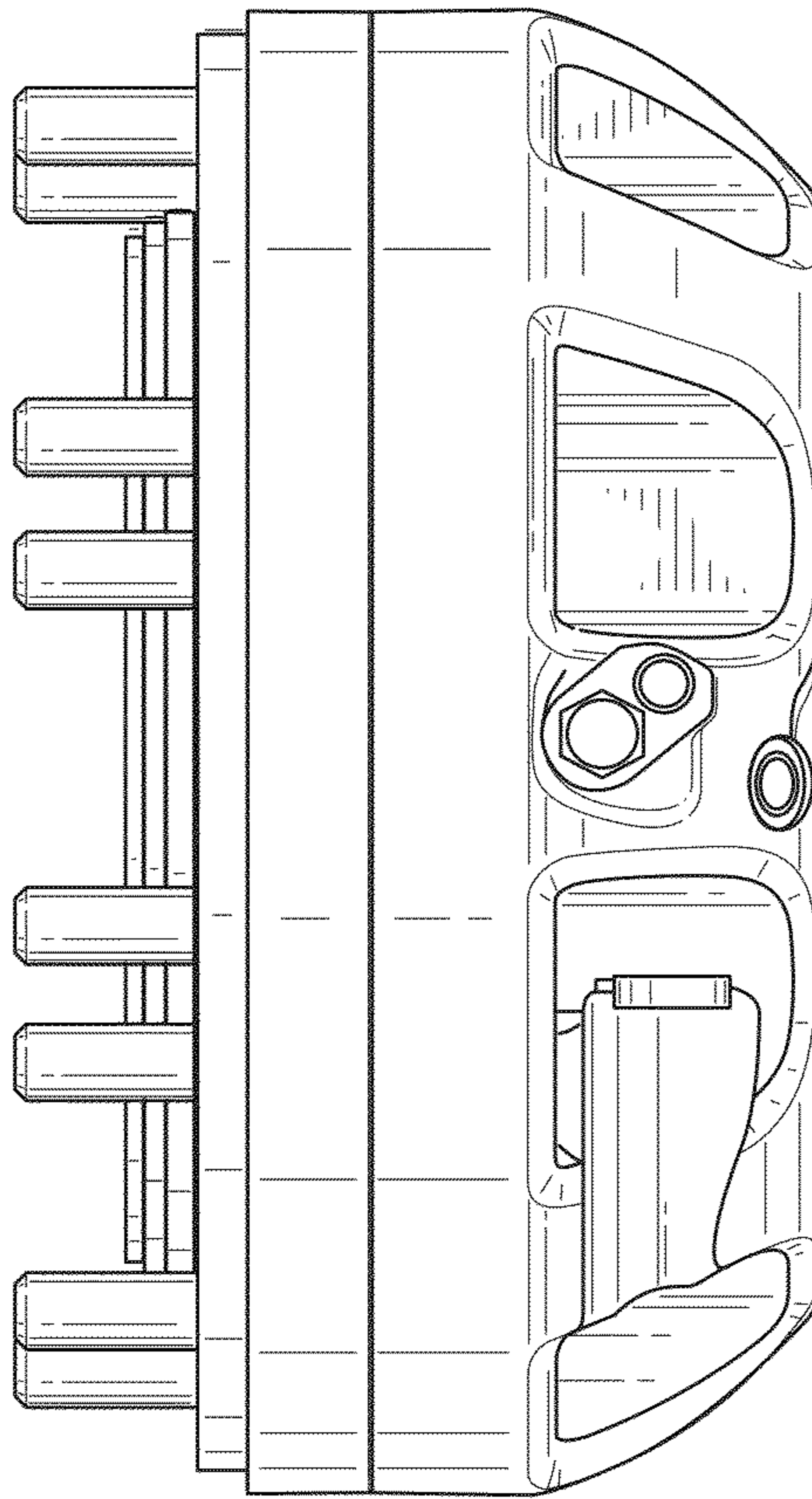
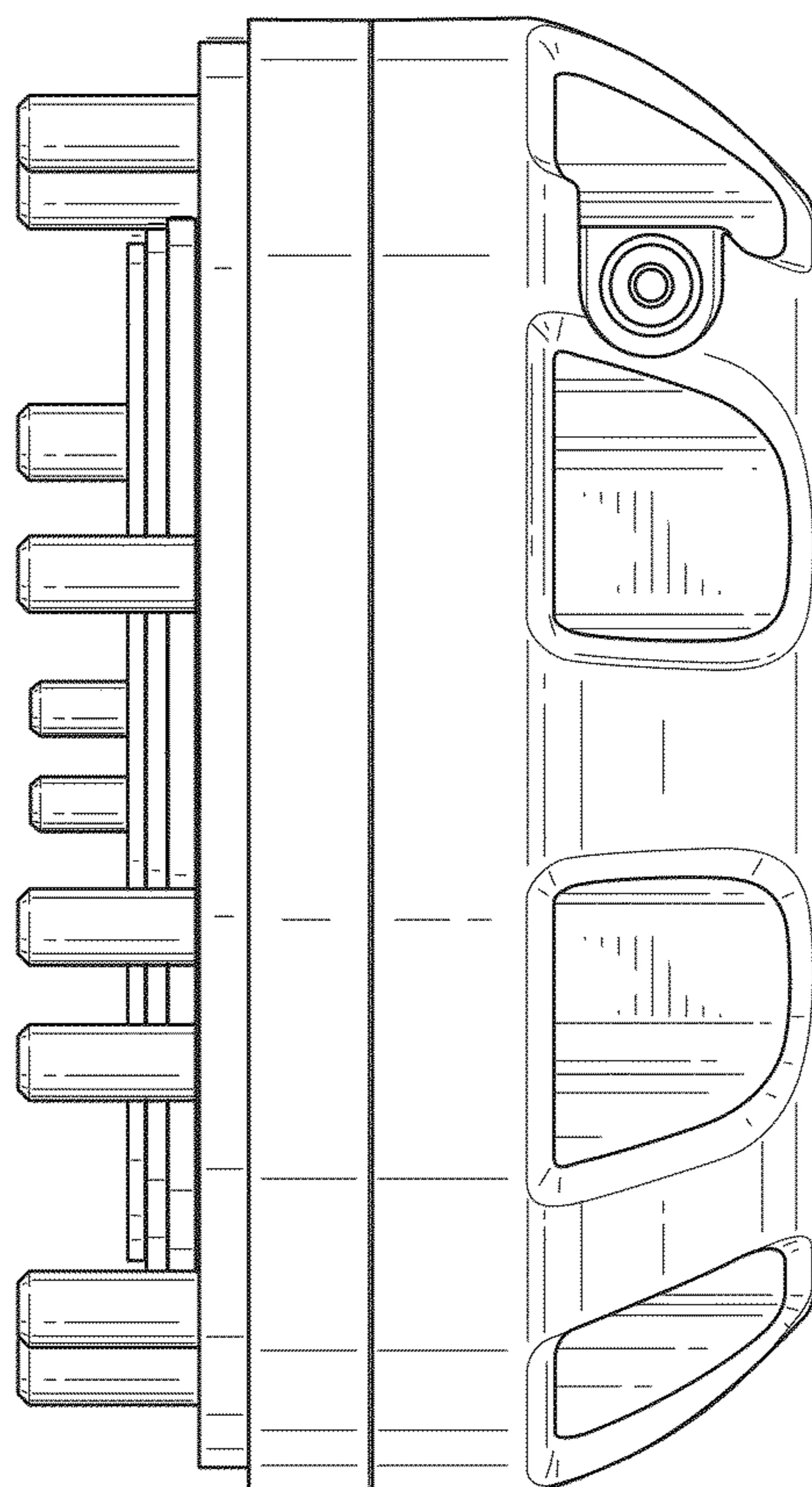


FIG. 4



**FIG. 5**

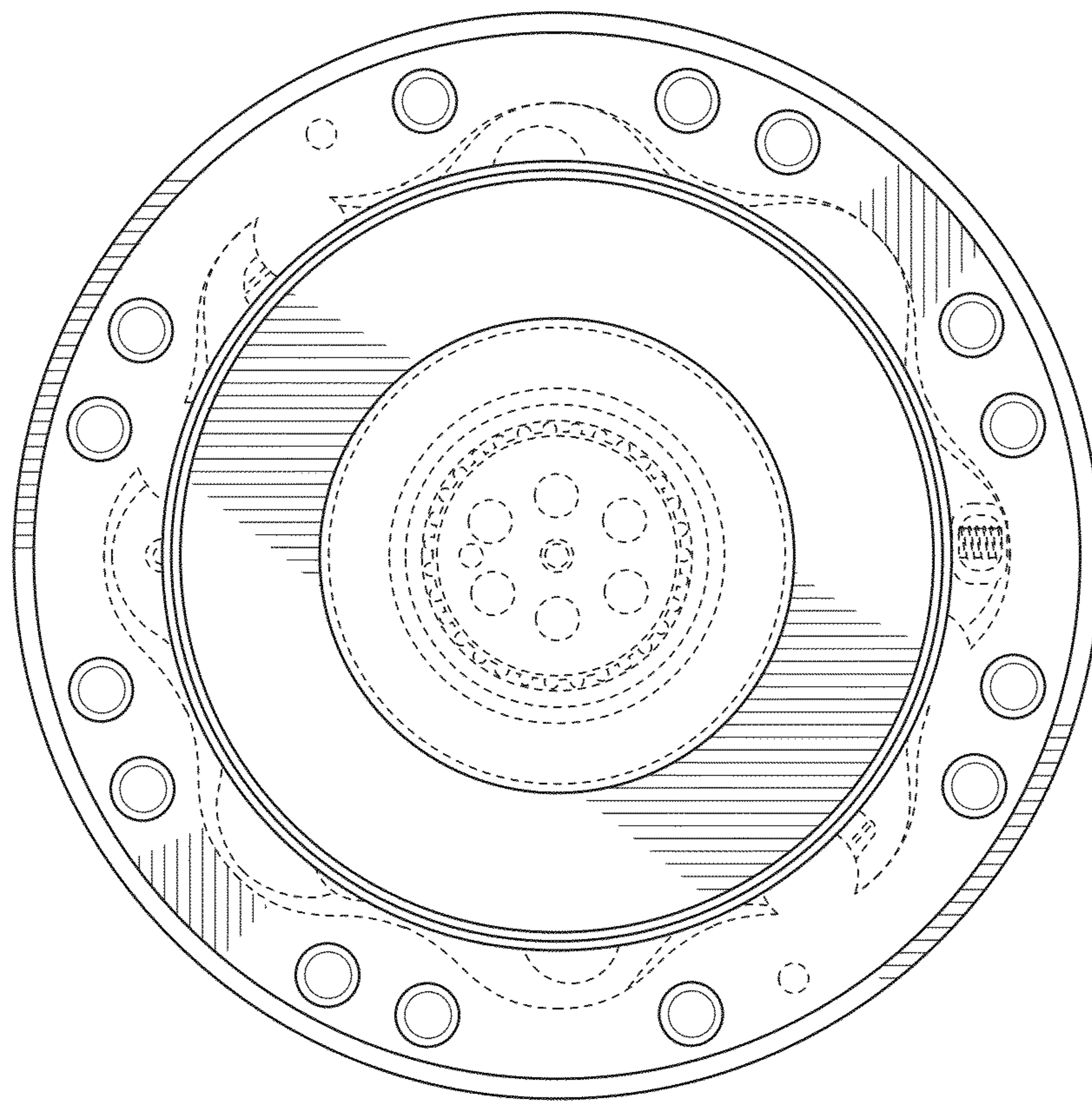


FIG. 6



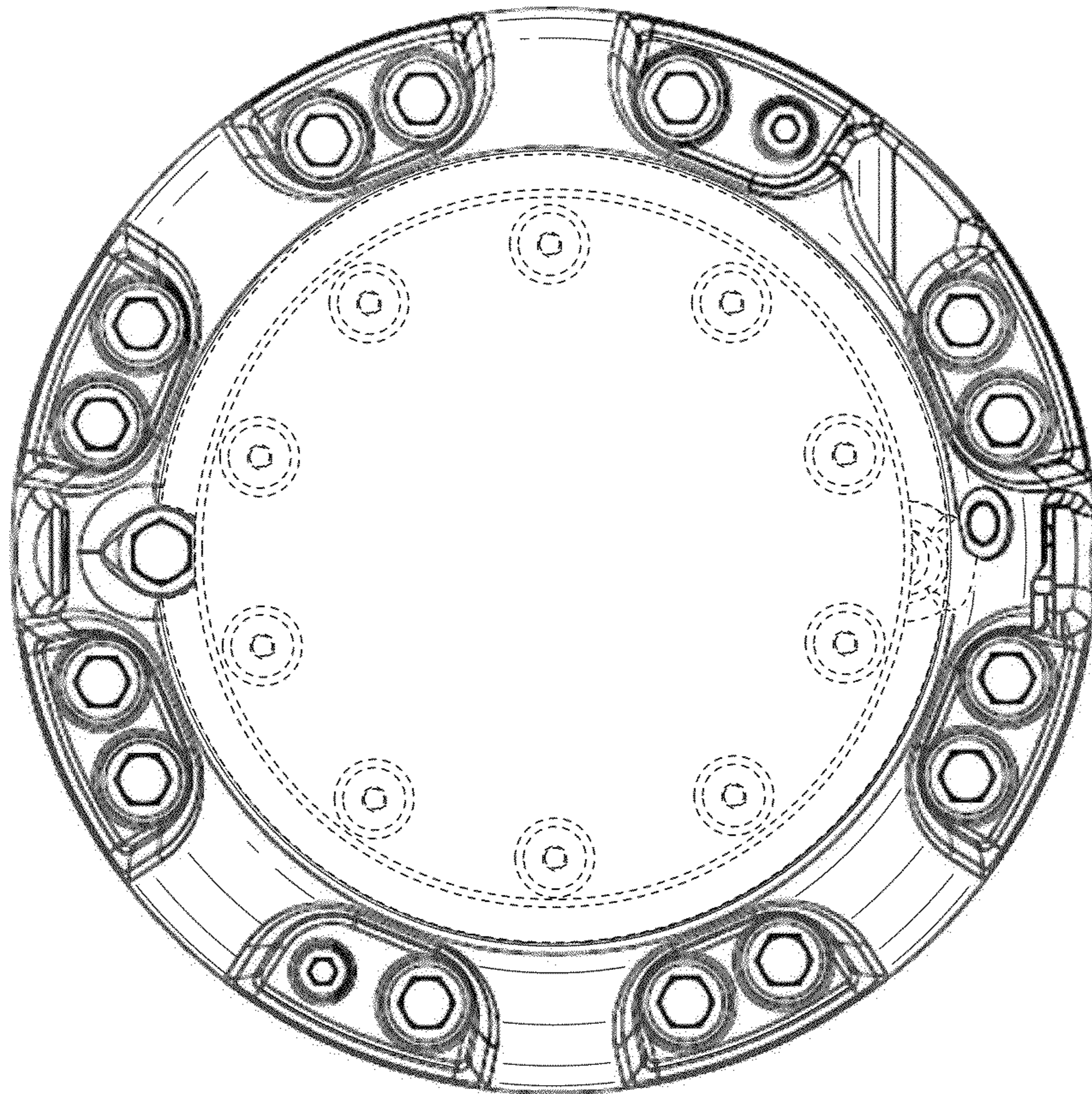
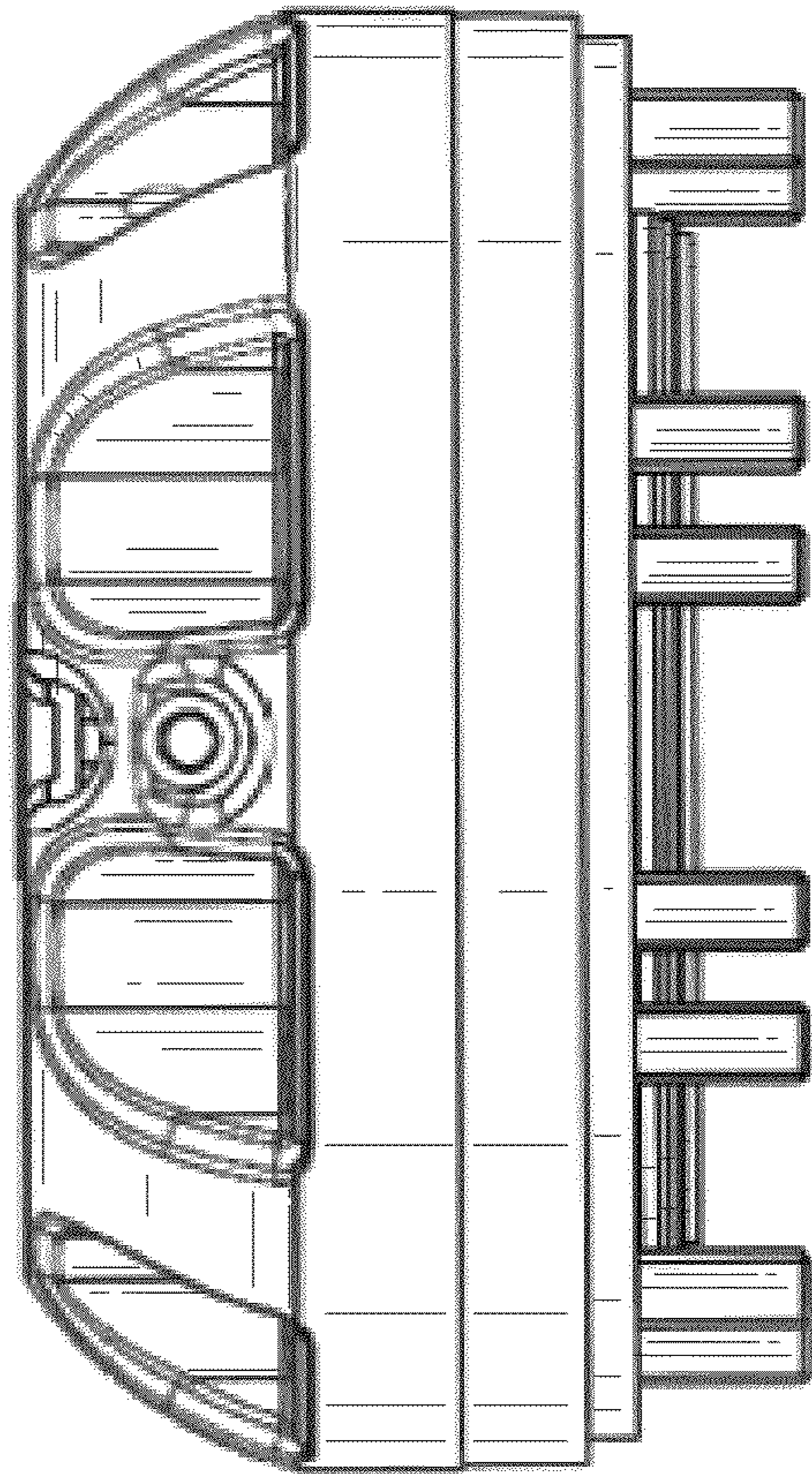


FIG. 7





**FIG. 8**

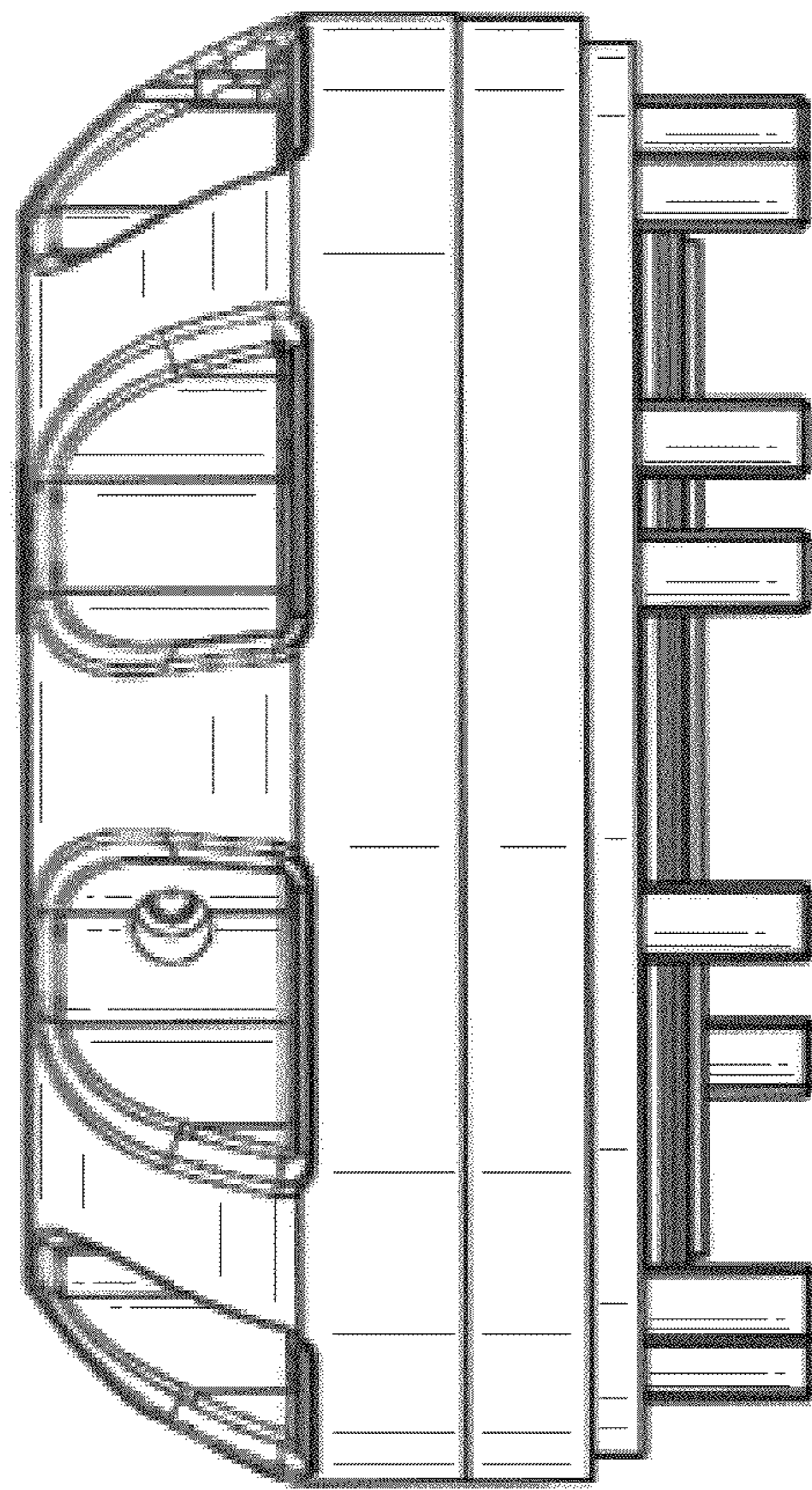
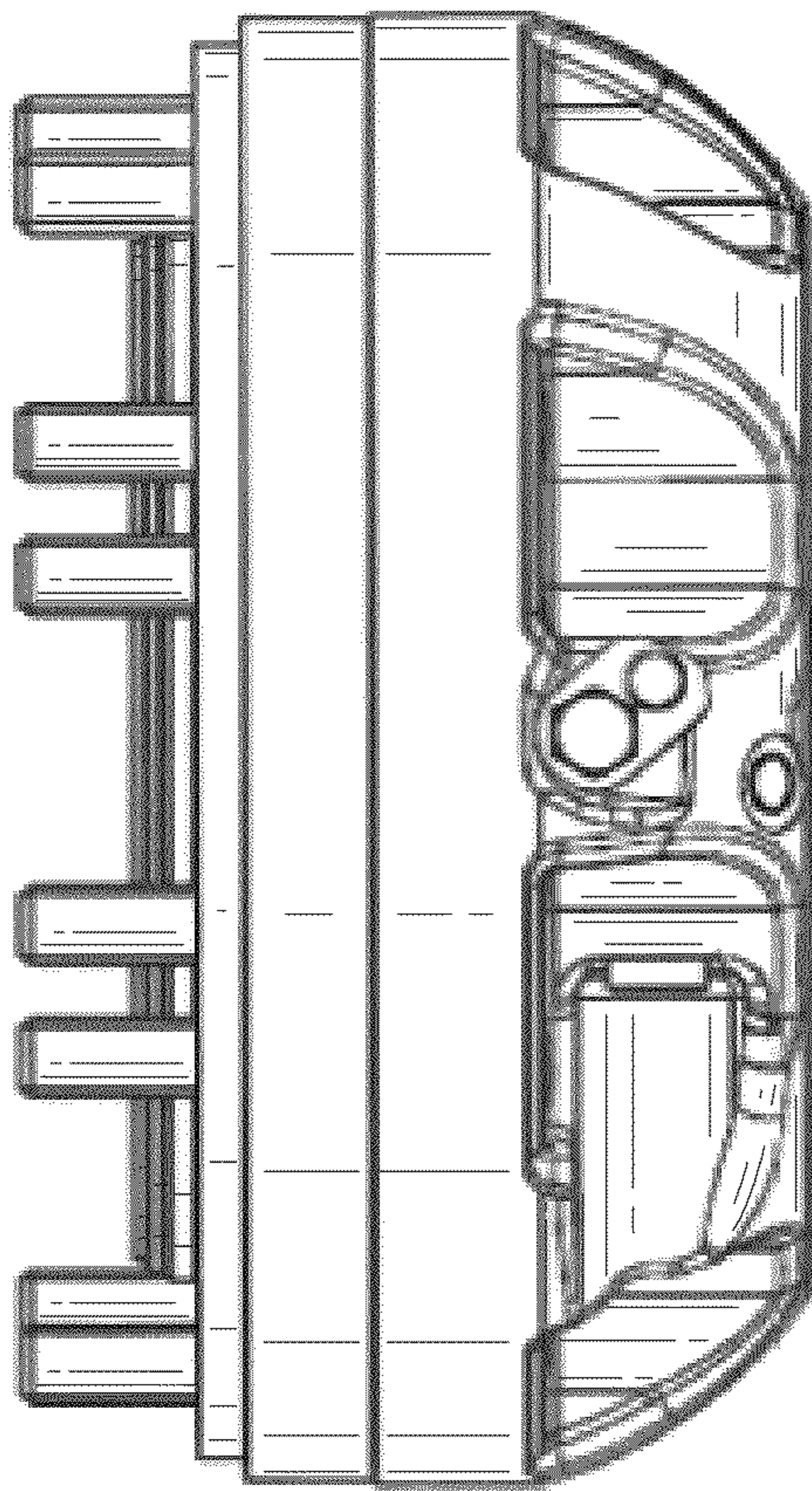


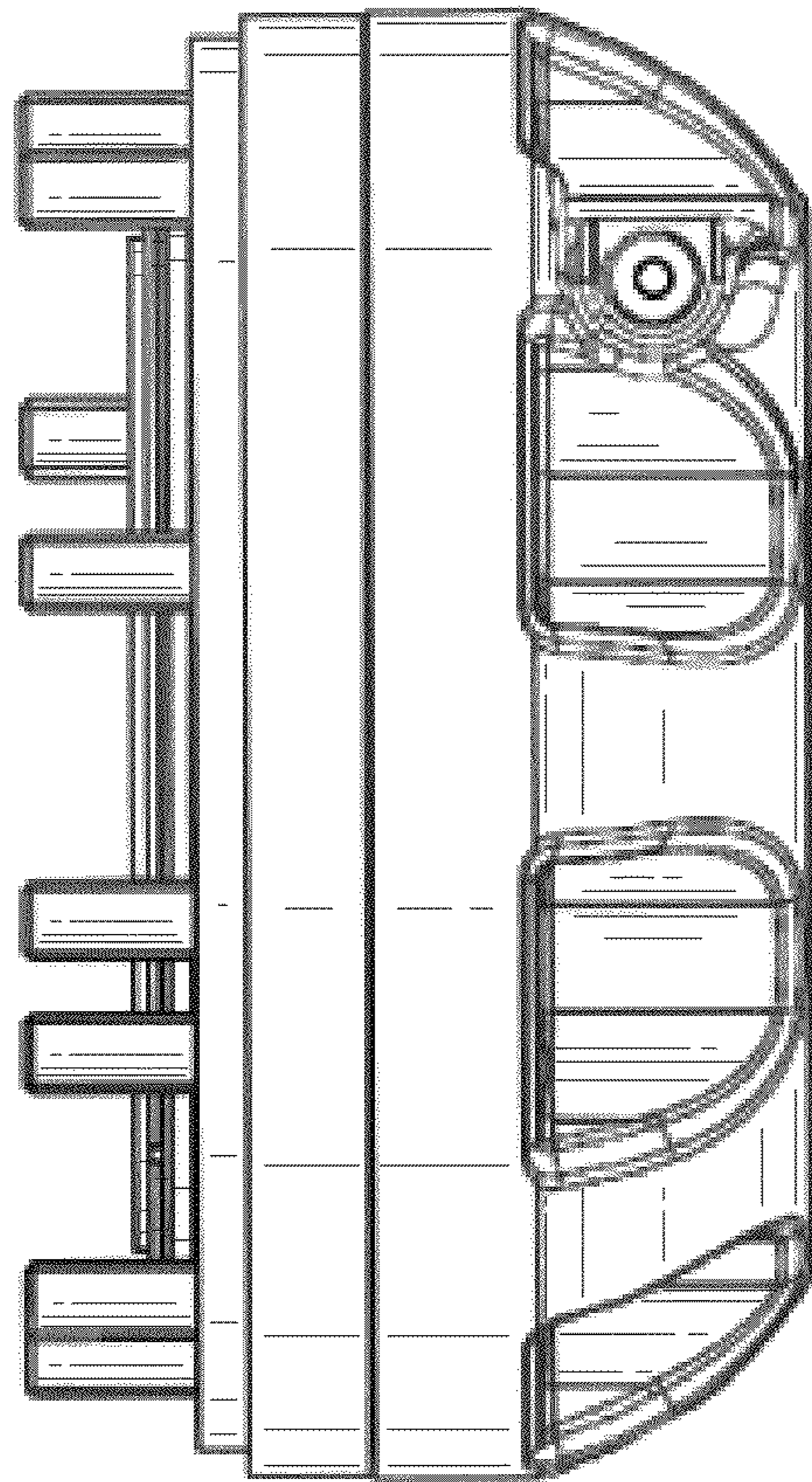
FIG. 9





**FIG. 10**





*FIG. 11*

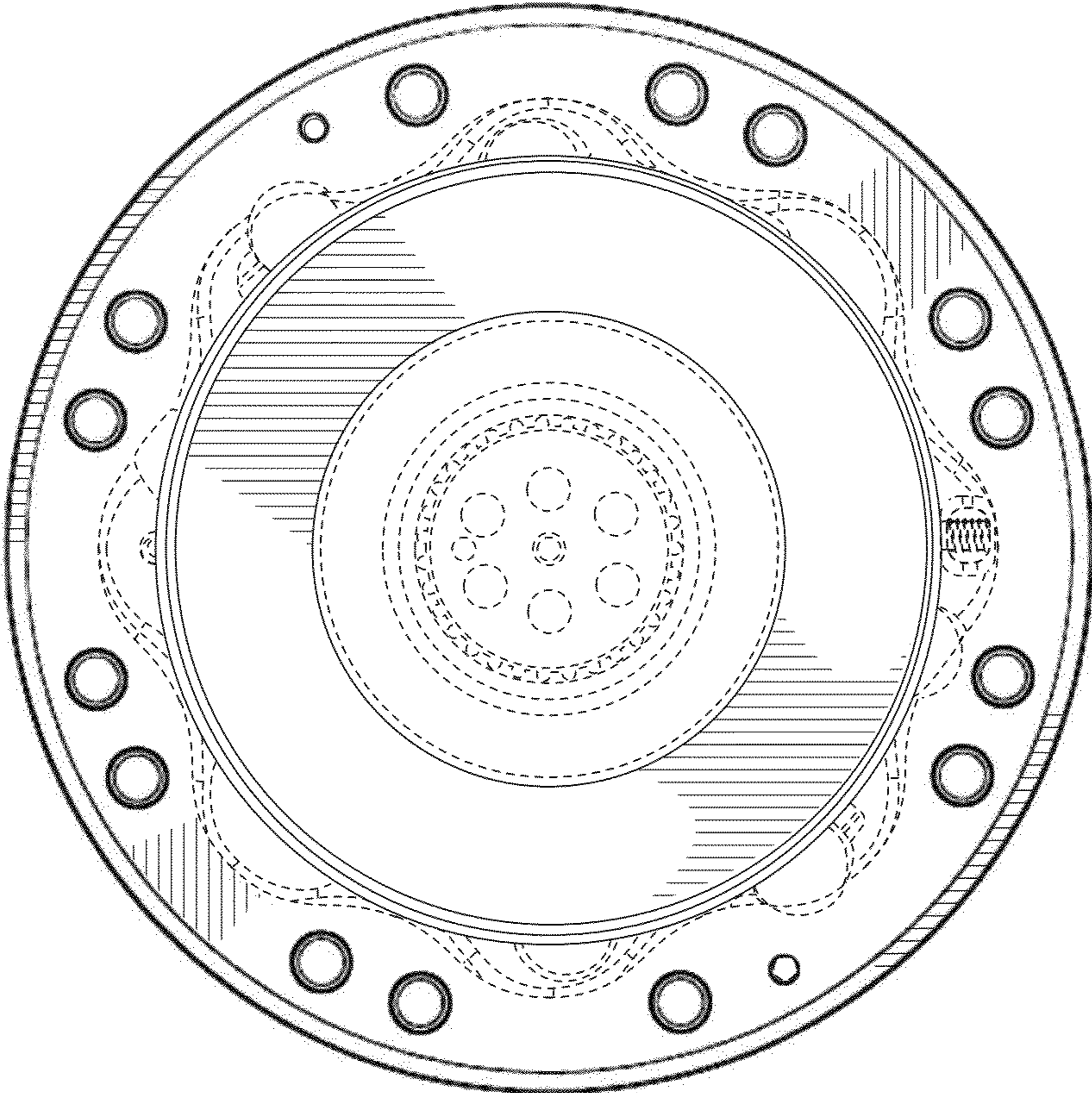


FIG. 12