

US00D737765S

(12) **United States Design Patent**
Sekine et al.

(10) **Patent No.:** **US D737,765 S**
(45) **Date of Patent:** **** Sep. 1, 2015**

(54) **SIGNAL INPUT AND OUTPUT CONVERTER**

FOREIGN PATENT DOCUMENTS

(71) Applicant: **SMC CORPORATION**, Tokyo (JP)

JP D1303101 S 6/2007

(72) Inventors: **Mitsuo Sekine**, Kasukabe (JP);
Kazunori Shiota, Tsukubamirai (JP);
Yoshiyuki Nishimura, Matsudo (JP)

* cited by examiner

Primary Examiner — Derrick Holland

(73) Assignee: **SMC CORPORATION**, Tokyo (JP)

(74) *Attorney, Agent, or Firm* — Birch, Stewart, Kolasch & Birch, LLP

(**) Term: **14 Years**

(21) Appl. No.: **29/499,778**

(22) Filed: **Aug. 19, 2014**

(30) **Foreign Application Priority Data**

Feb. 20, 2014 (JP) 2014-003453
Feb. 20, 2014 (JP) 2014-003457

(51) **LOC (10) Cl.** **13-02**

(52) **U.S. Cl.**
USPC **D13/110; D13/123**

(58) **Field of Classification Search**
USPC D13/110, 123, 133, 146, 147, 152, 154,
D13/164, 184, 199; 307/150, 151; 361/637,
361/639, 823; 439/709, 712, 715, 716
CPC G05F 3/04; G05F 3/06; G05F 3/08;
G05F 3/10; G01R 21/00
See application file for complete search history.

(56) **References Cited**

U.S. PATENT DOCUMENTS

5,020,149 A * 5/1991 Hemmie 455/325
D365,082 S * 12/1995 Cook et al. D13/110
D388,396 S * 12/1997 Meloche D13/146
D448,344 S * 9/2001 Ishitsuka et al. D13/123
D467,543 S * 12/2002 Sakasegawa D13/123
D537,793 S * 3/2007 Shapson D13/151
D596,582 S * 7/2009 Stuckmann et al. D13/152
D597,027 S 7/2009 Tanabe et al.

(57) **CLAIM**

The ornamental design for a signal input and output converter, as shown.

DESCRIPTION

FIG. 1 is a front, top and right side perspective view of a signal input and output converter showing a first embodiment of our new design;
FIG. 2 is a rear, bottom and left side perspective view thereof;
FIG. 3 is a front view thereof;
FIG. 4 is a rear view thereof;
FIG. 5 is a top plan view thereof;
FIG. 6 is a bottom plan view thereof;
FIG. 7 is a left side view thereof;
FIG. 8 is a right side view thereof;
FIG. 9 is a front, top and right side perspective view of a signal input and output converter showing a second embodiment of our new design;
FIG. 10 is a rear, bottom and left side perspective view thereof;
FIG. 11 is a front view thereof;
FIG. 12 is a rear view thereof;
FIG. 13 is a top plan view thereof;
FIG. 14 is a bottom plan view thereof;
FIG. 15 is a left side view thereof; and,
FIG. 16 is a right side view thereof.

1 Claim, 16 Drawing Sheets

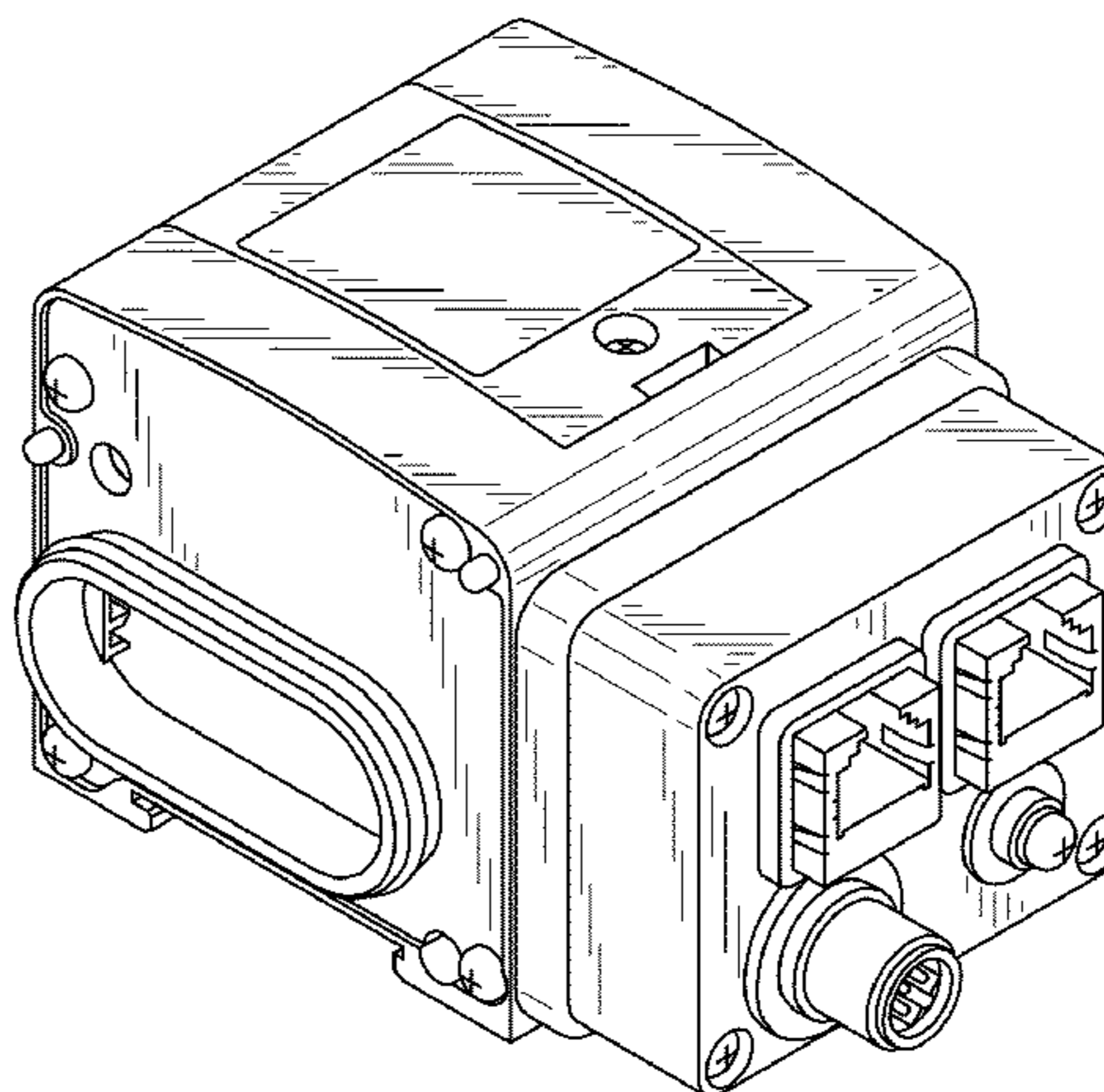
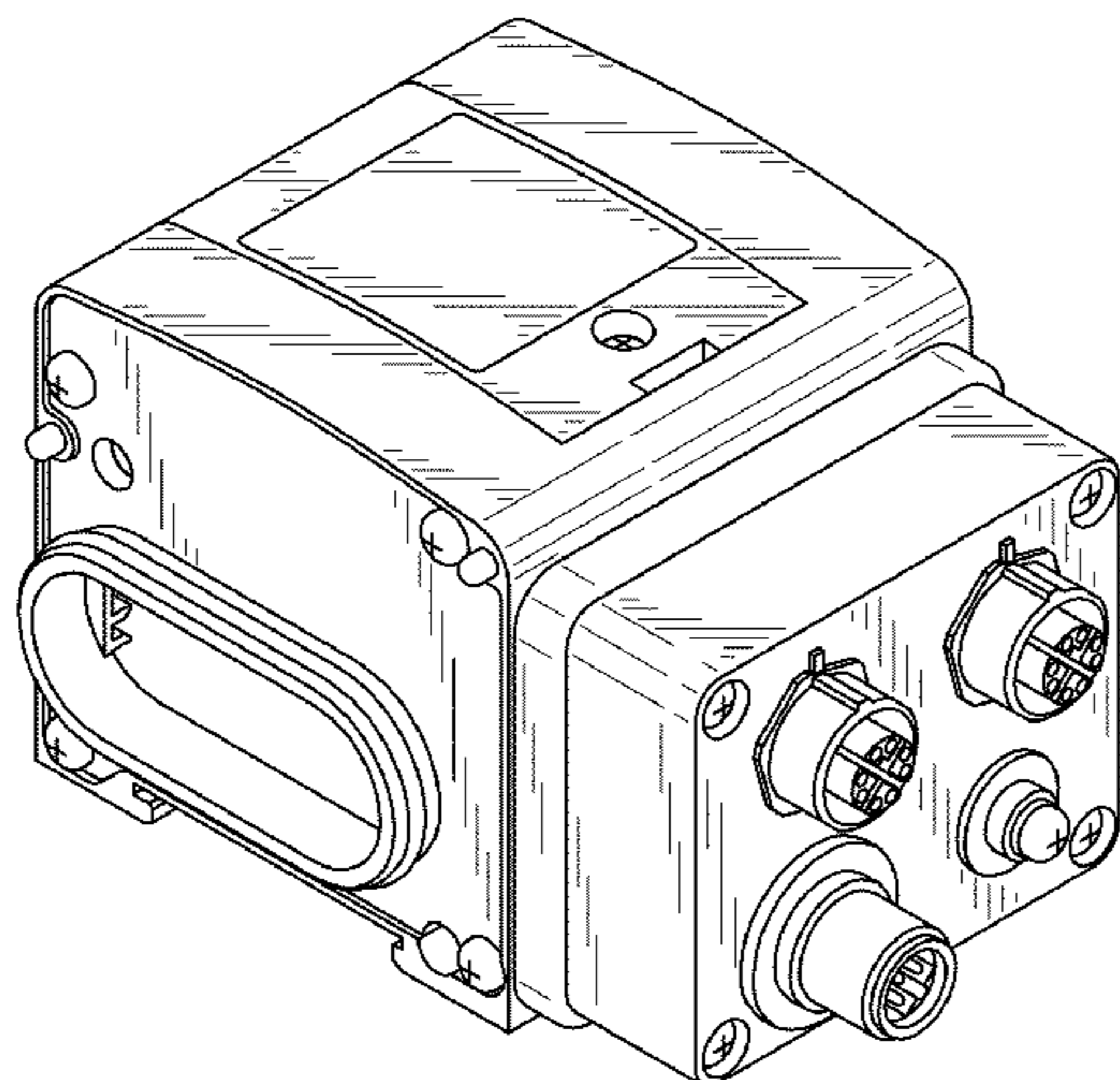


FIG. 1

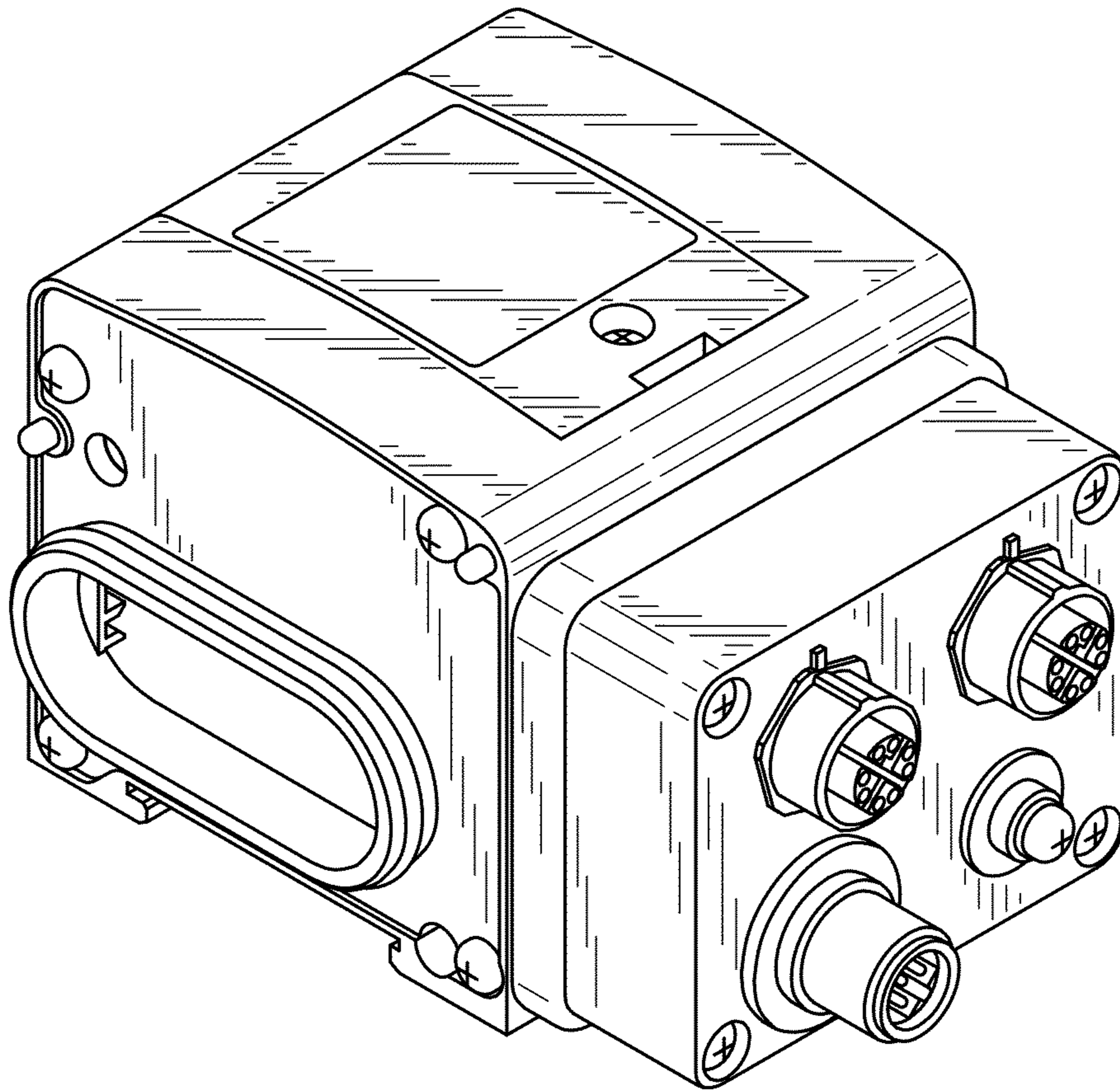


FIG. 2

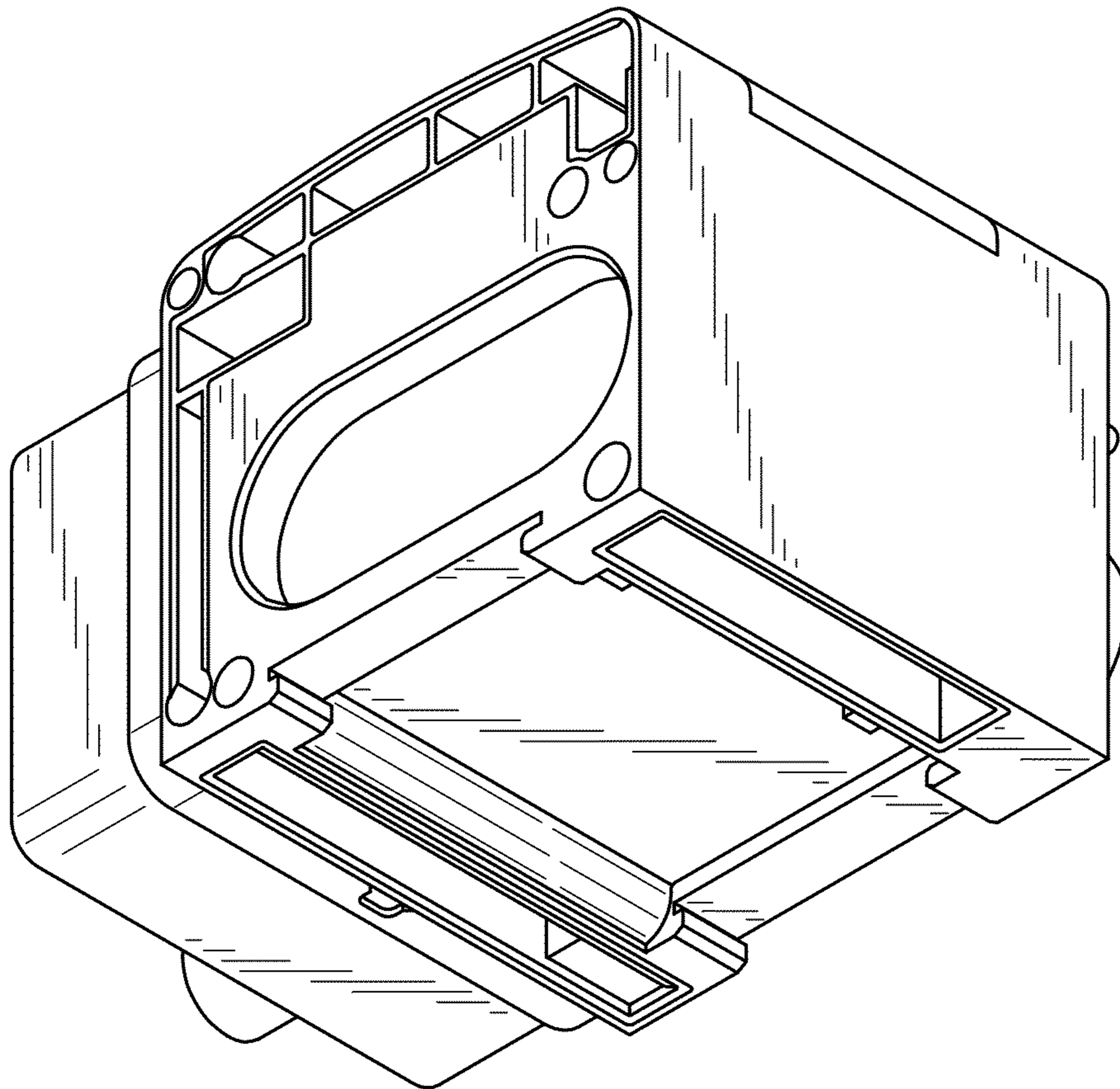


FIG. 3

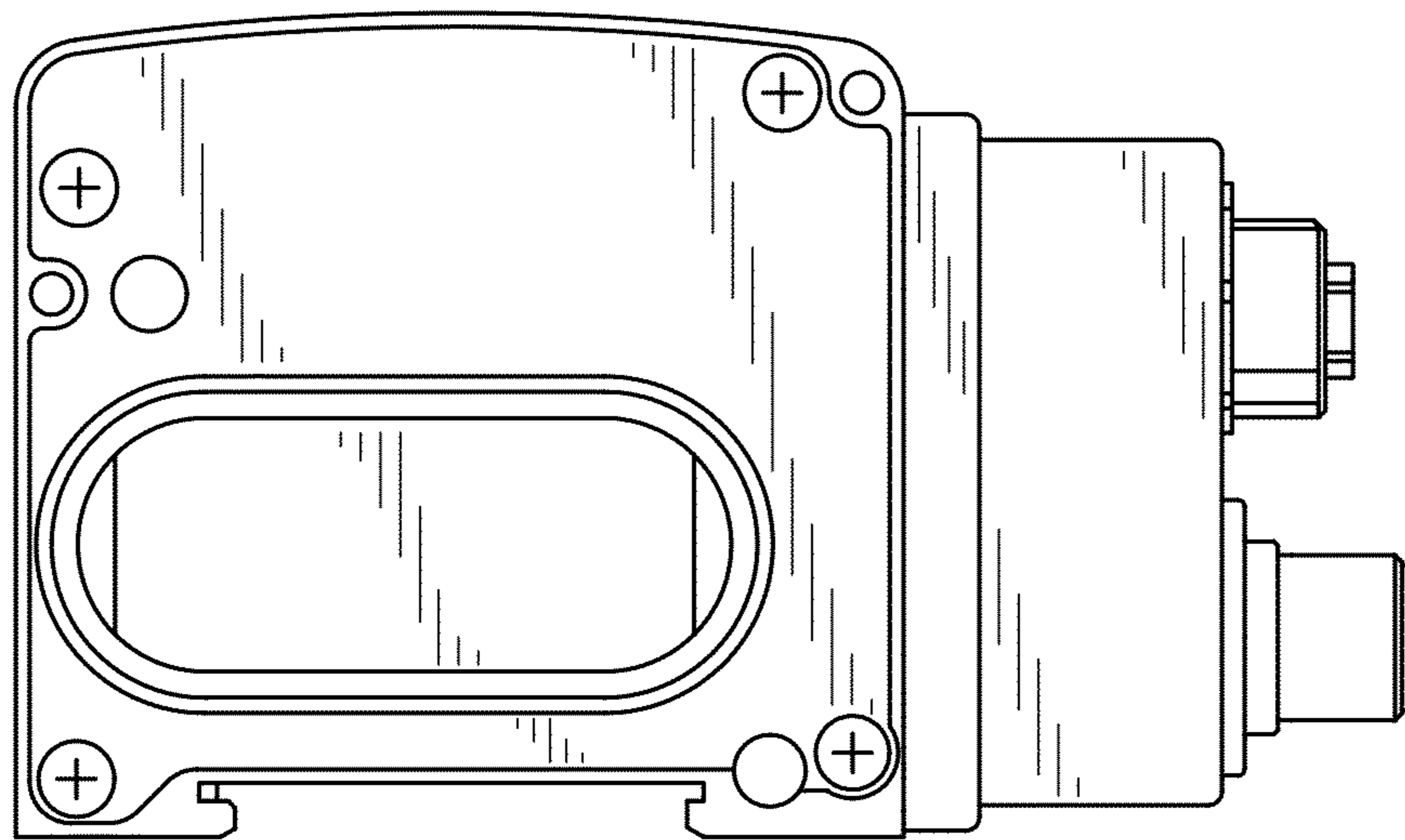


FIG. 4

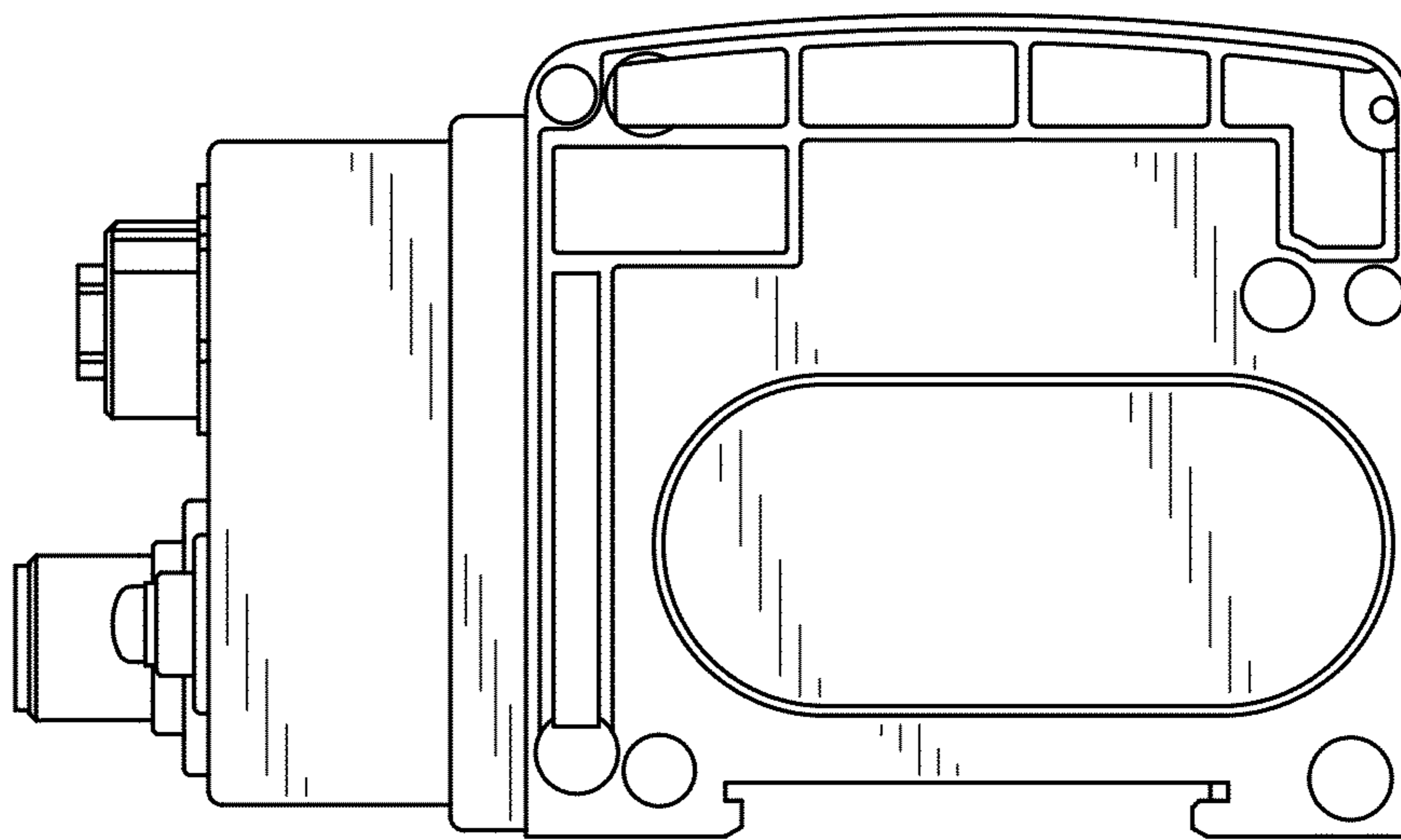


FIG. 5

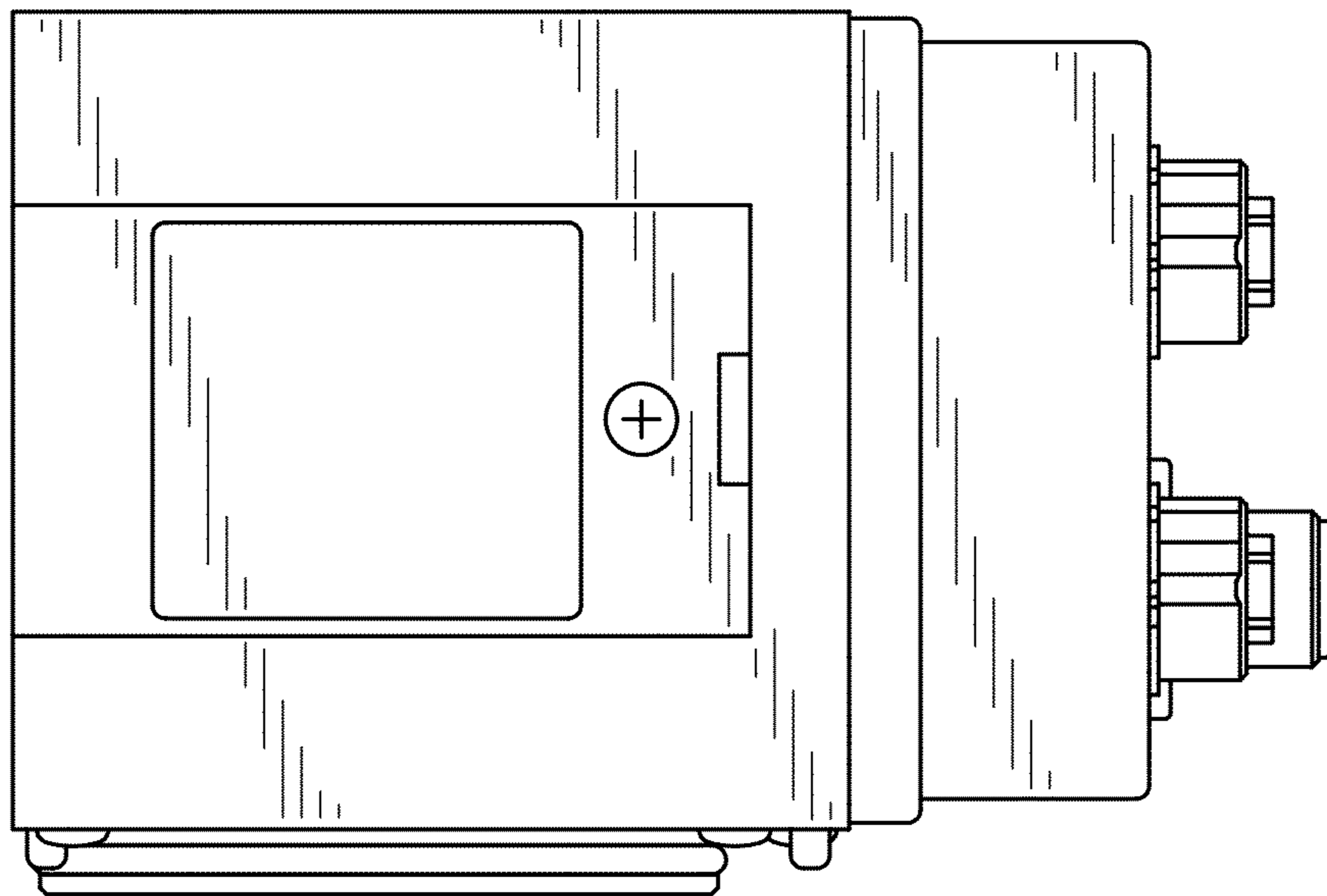


FIG. 6

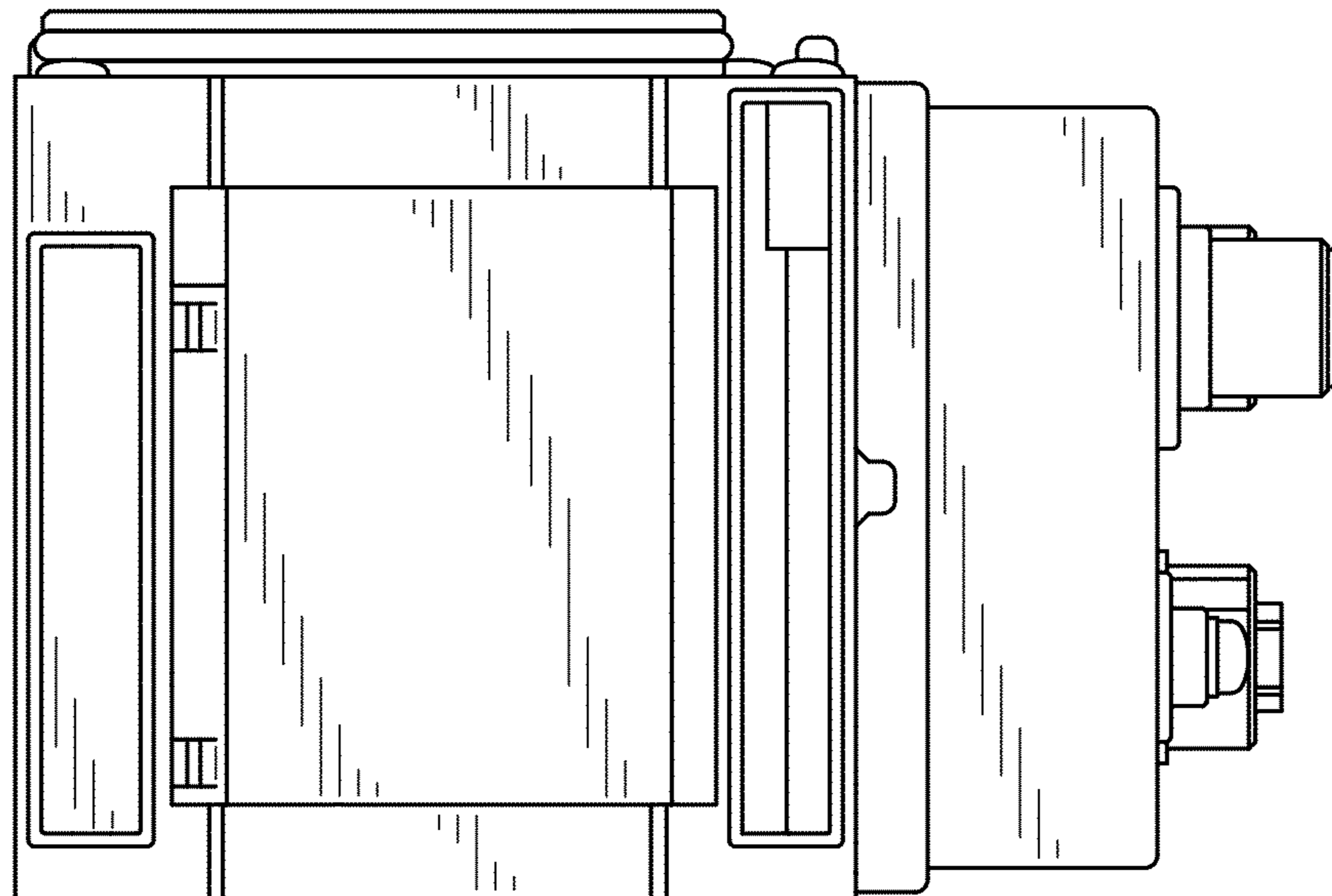


FIG. 7

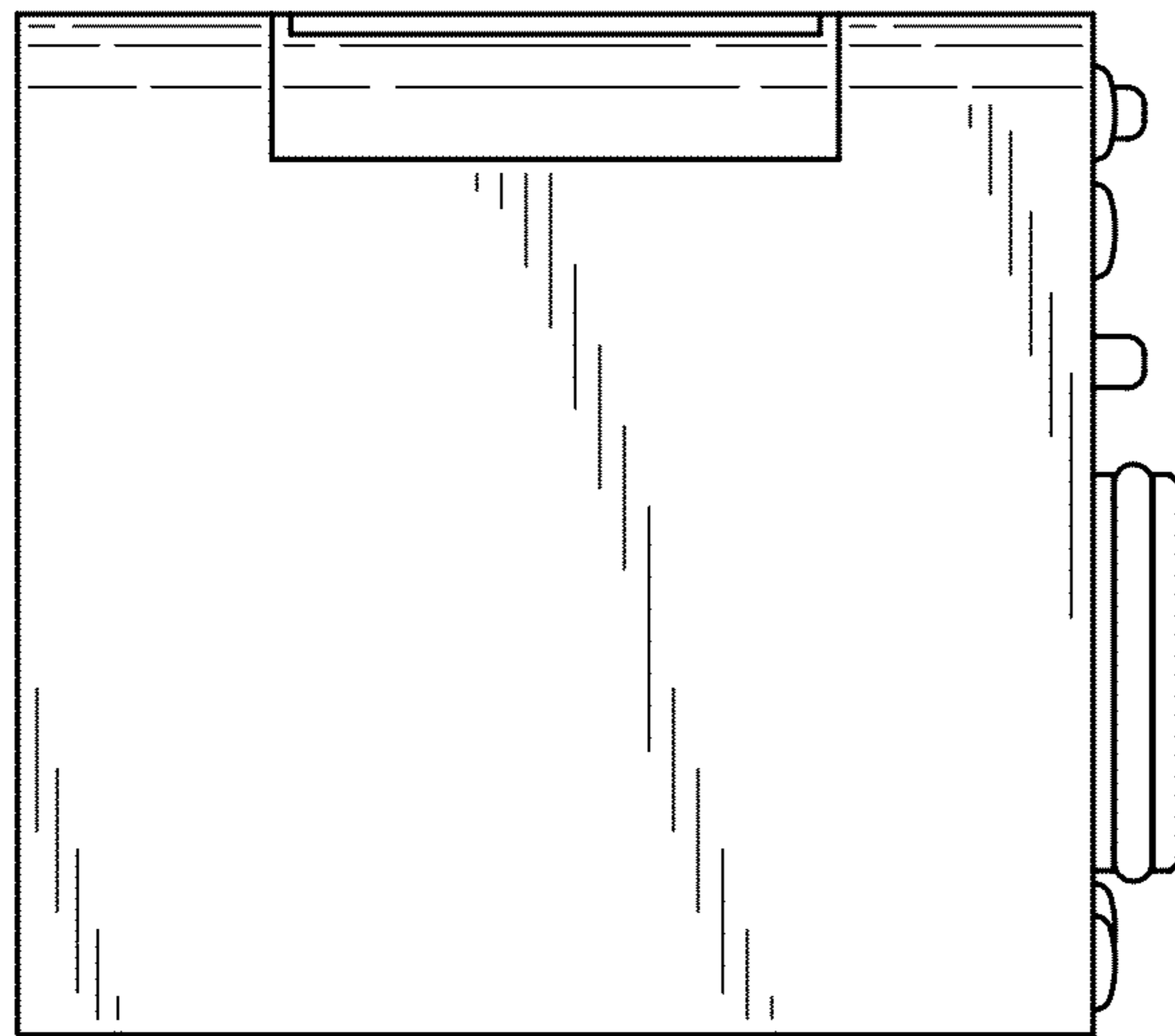


FIG. 8

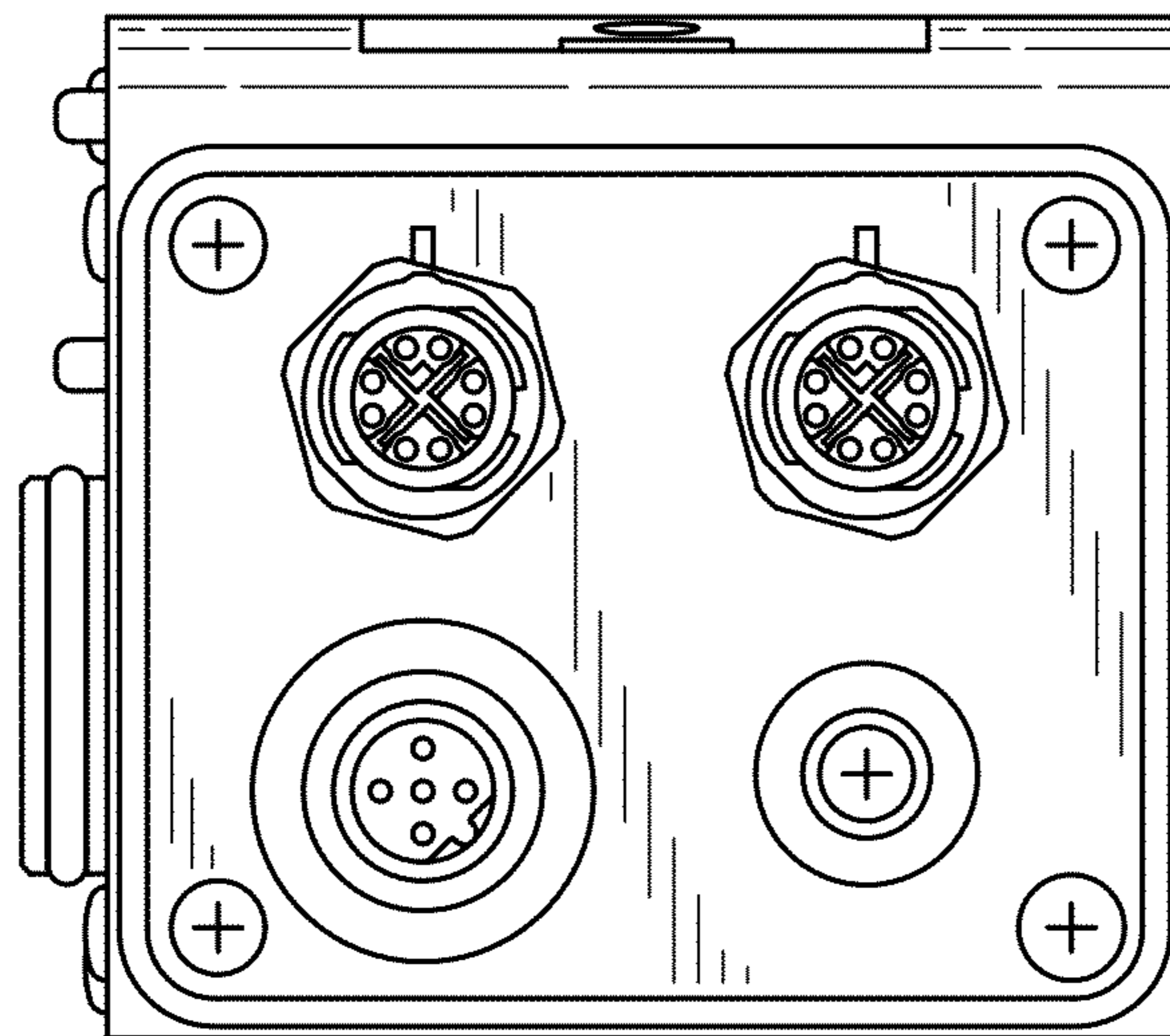


FIG. 9

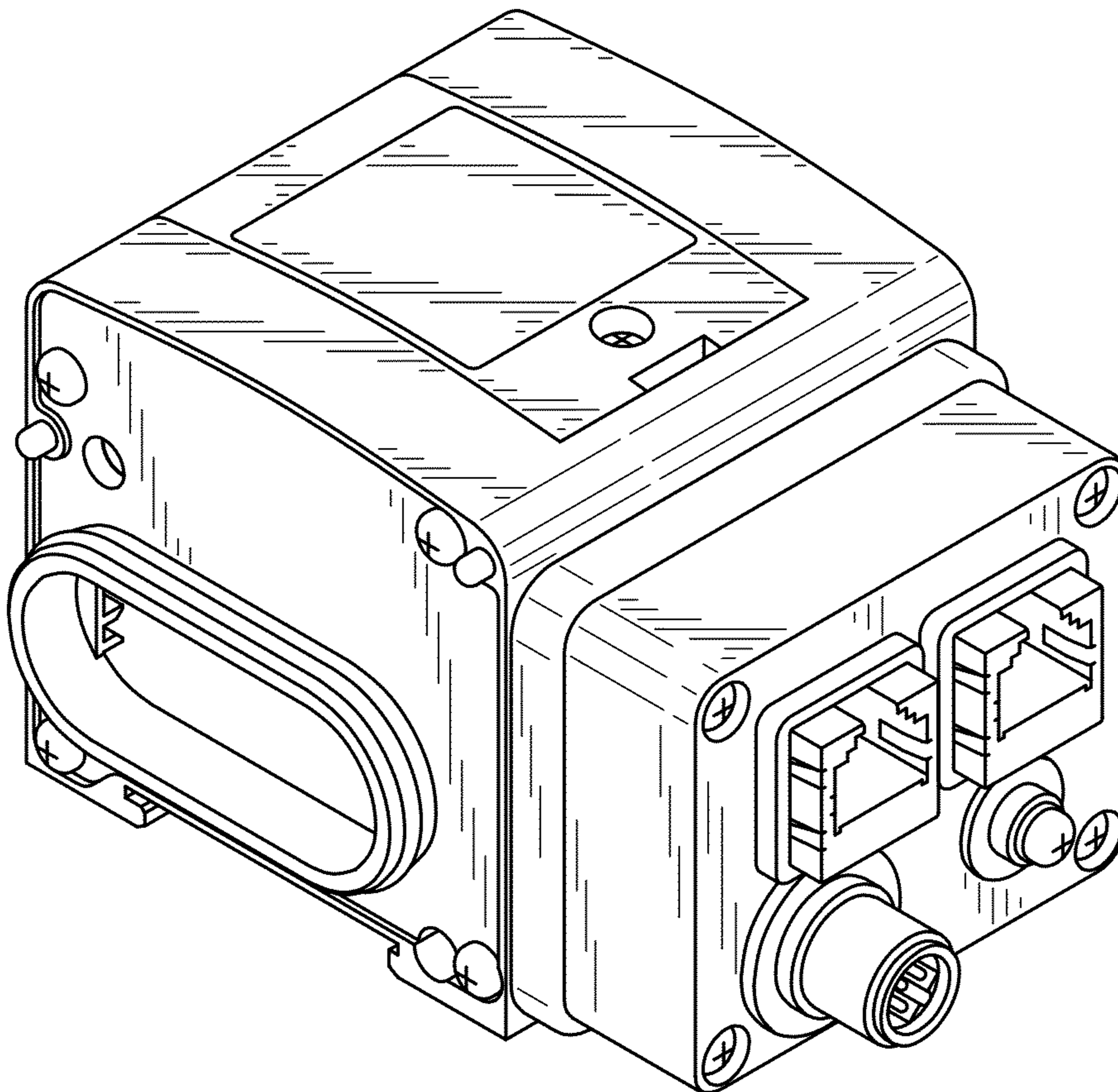


FIG. 10

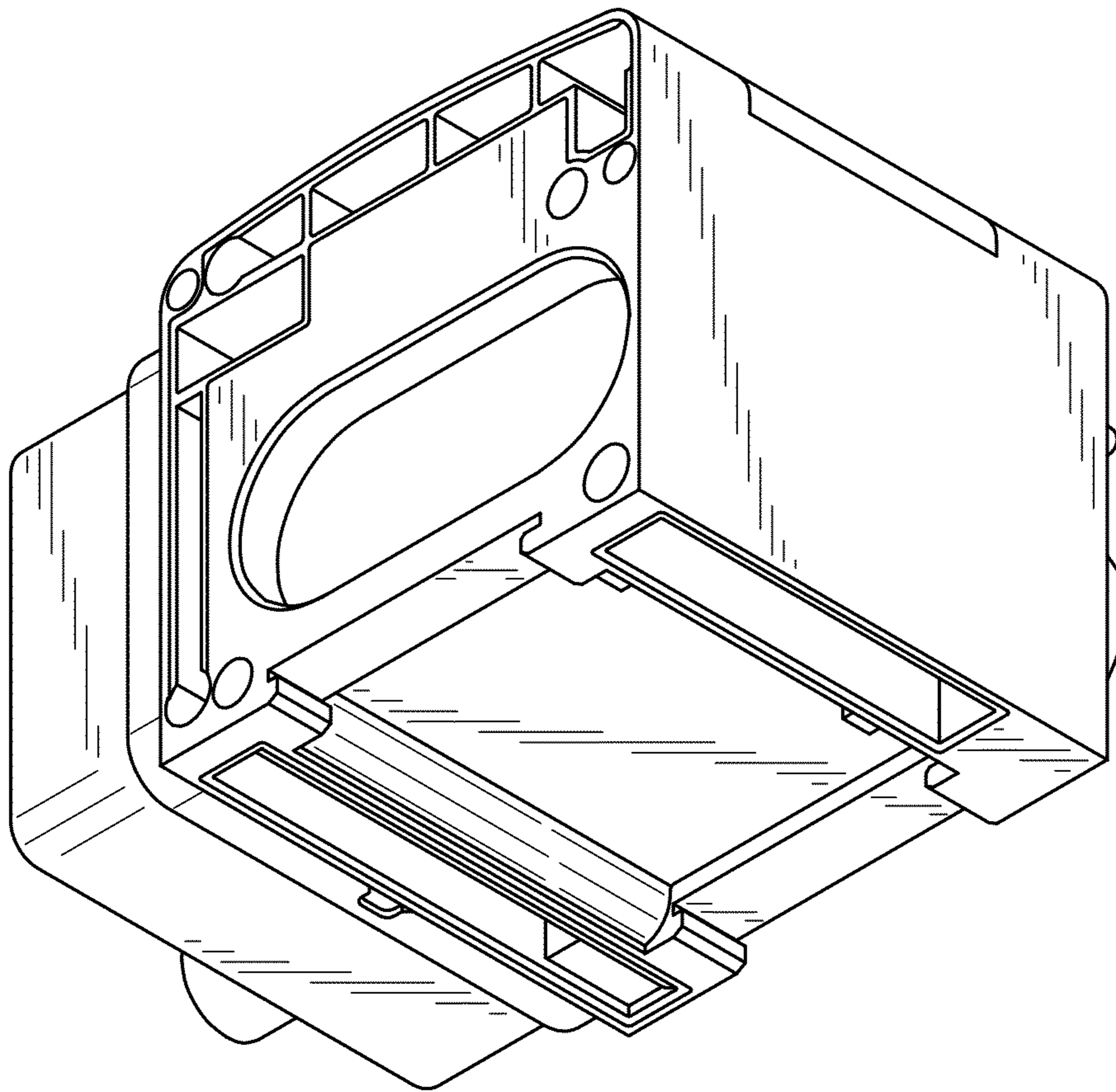


FIG. 11

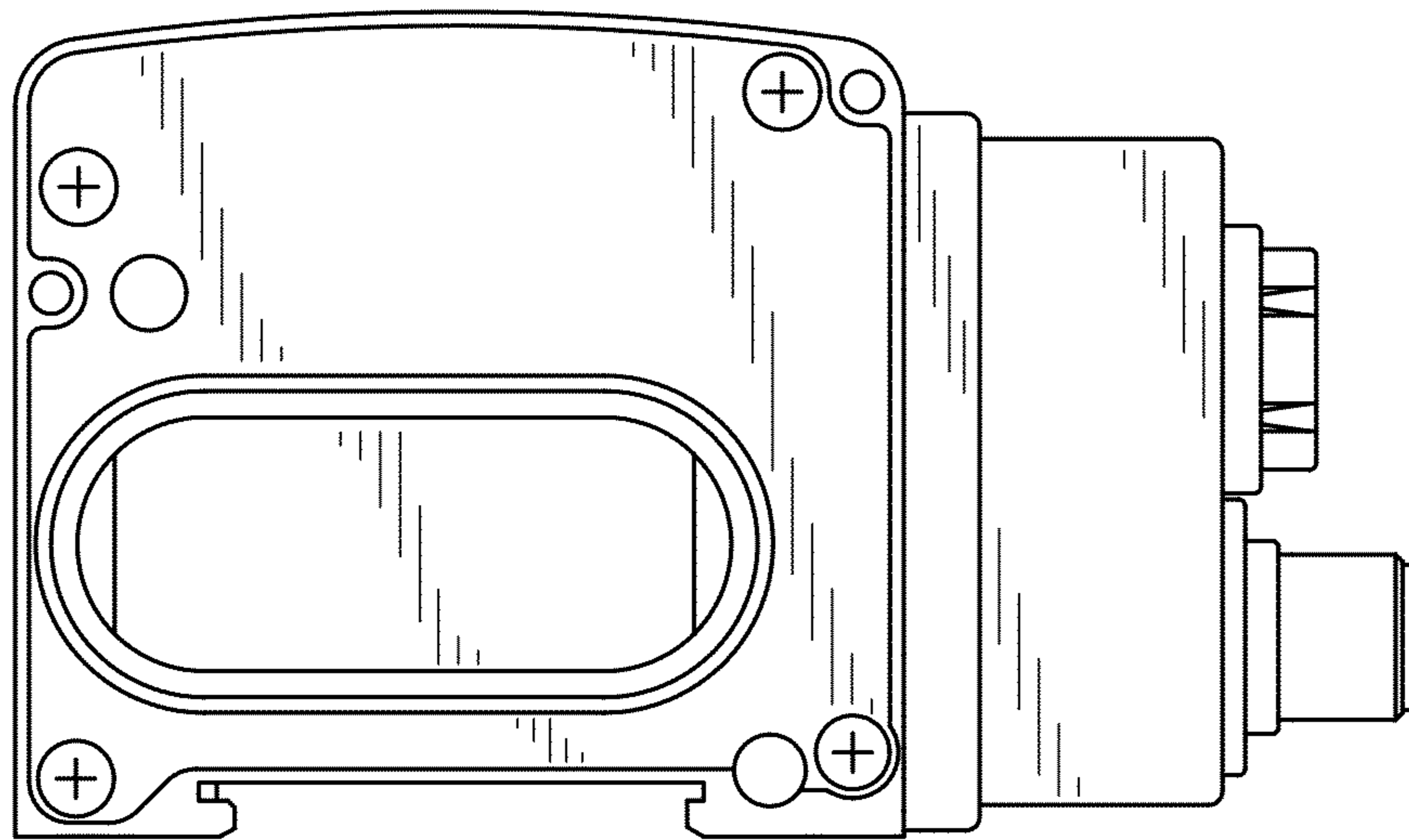


FIG. 12

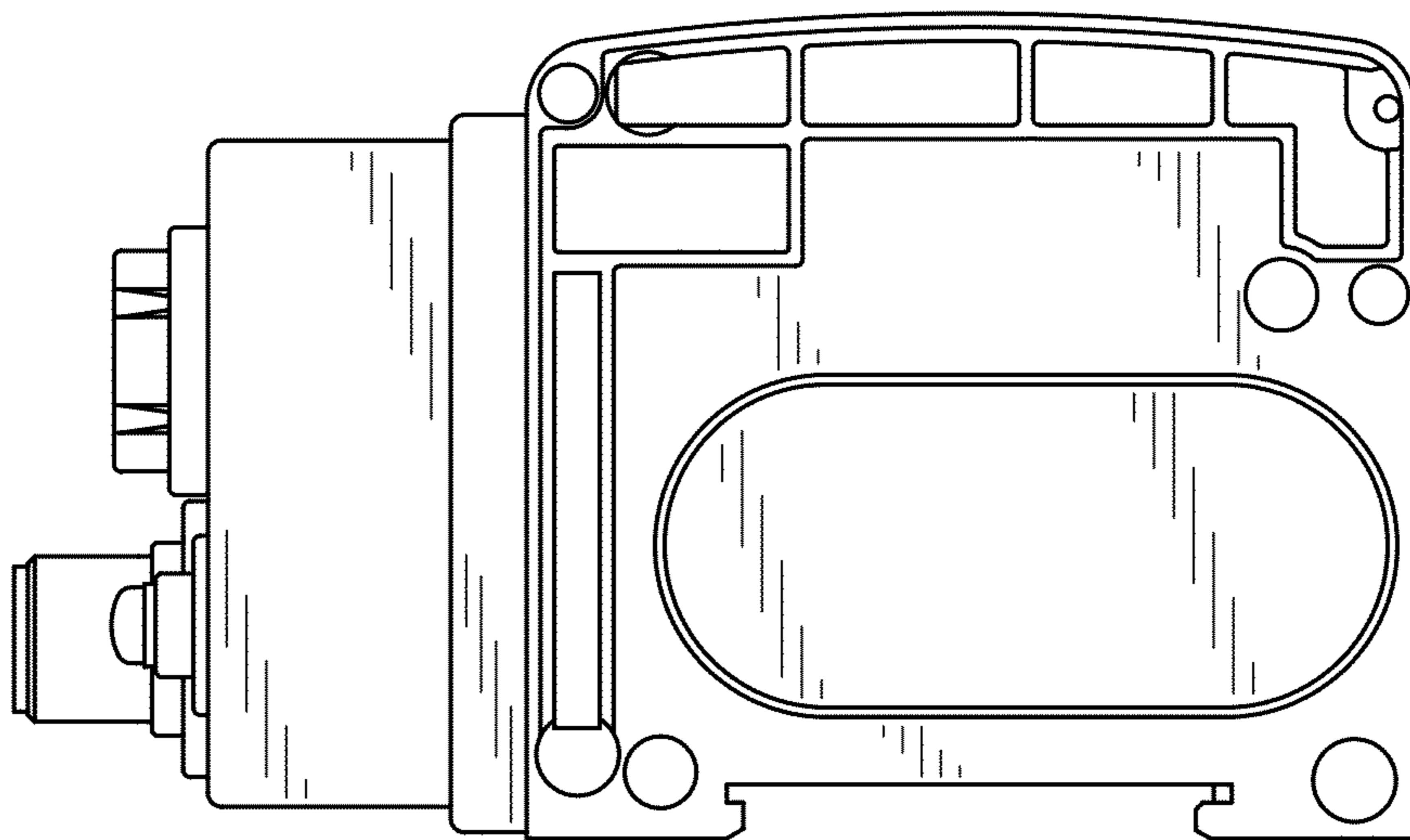


FIG. 13

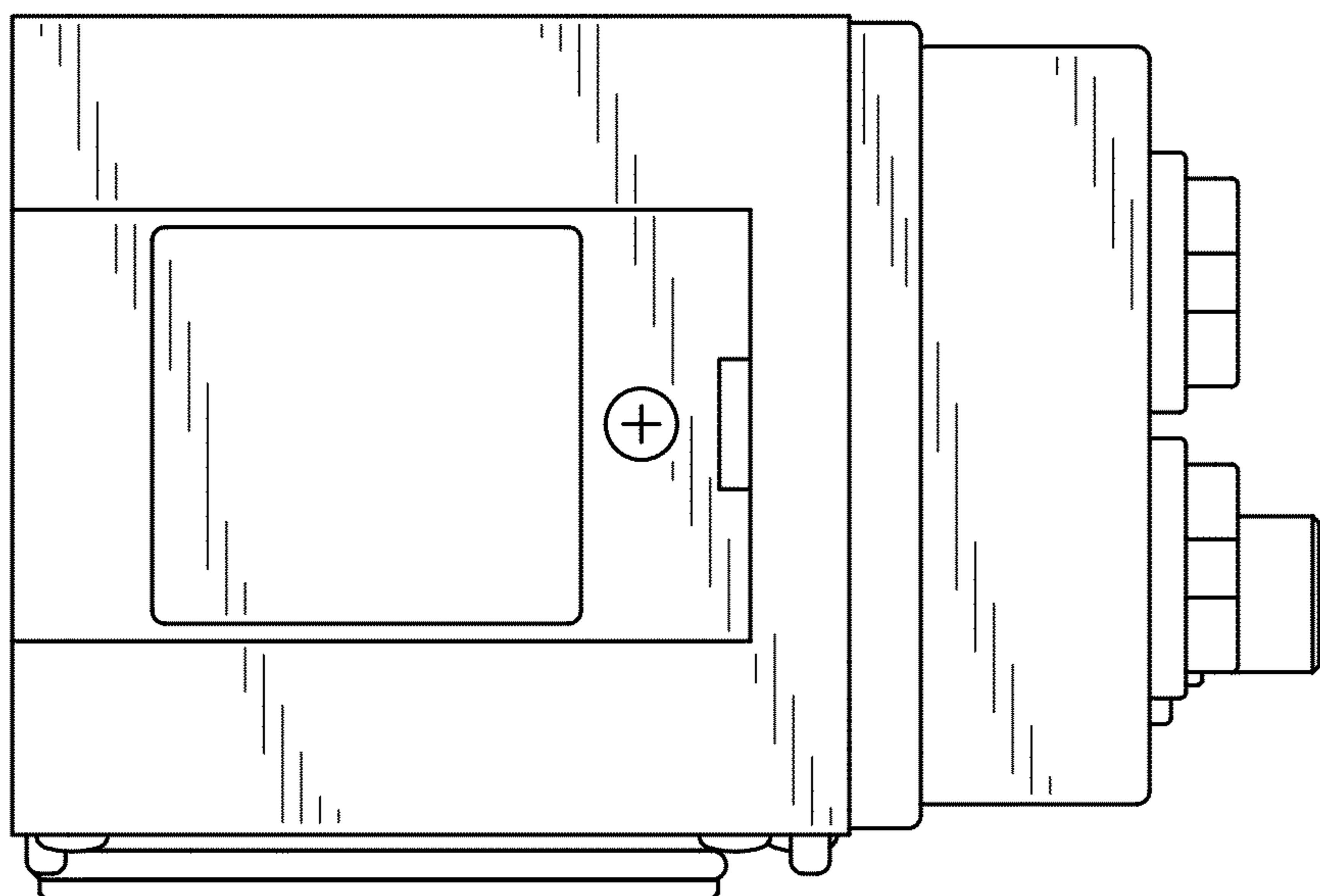


FIG. 14

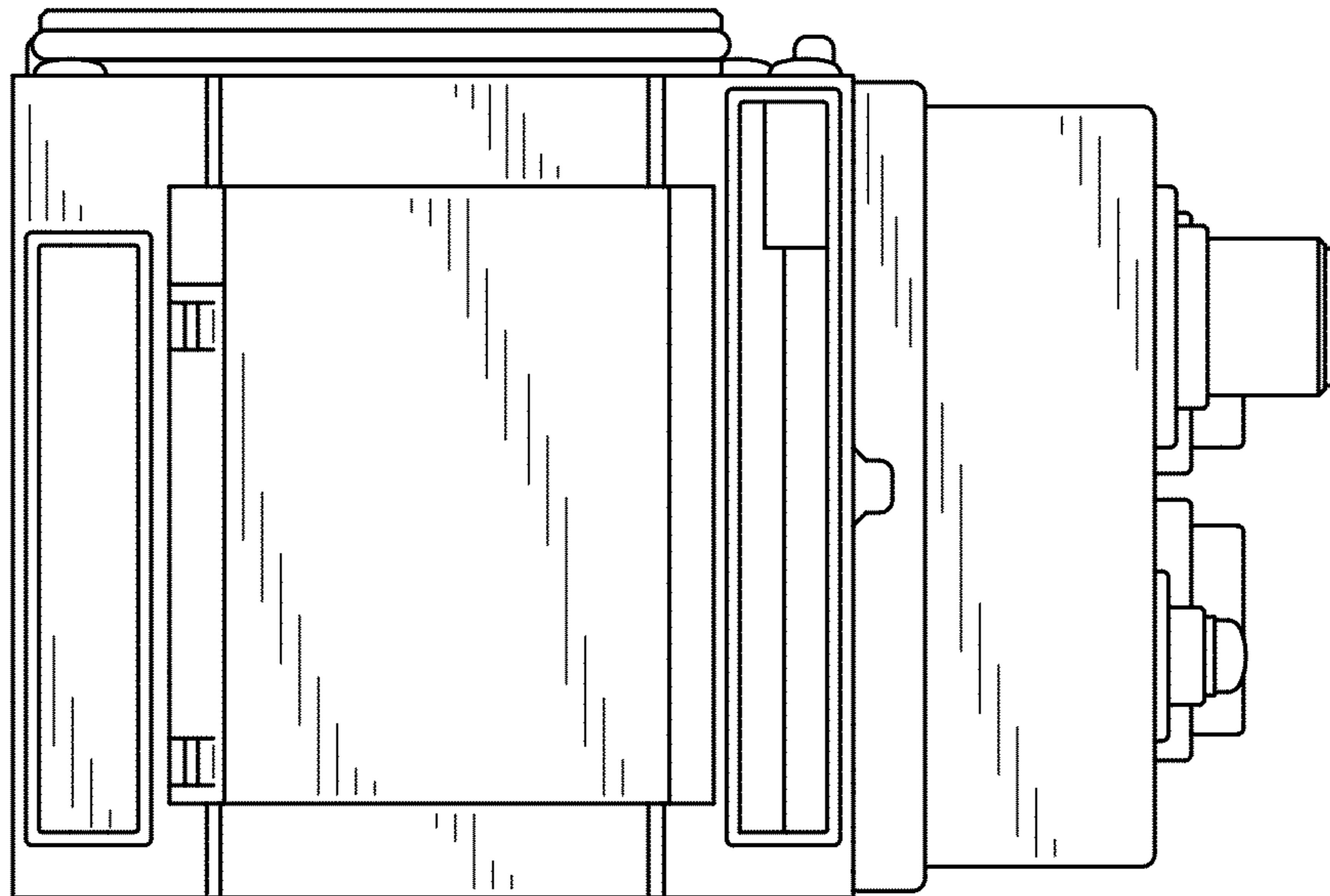


FIG. 15

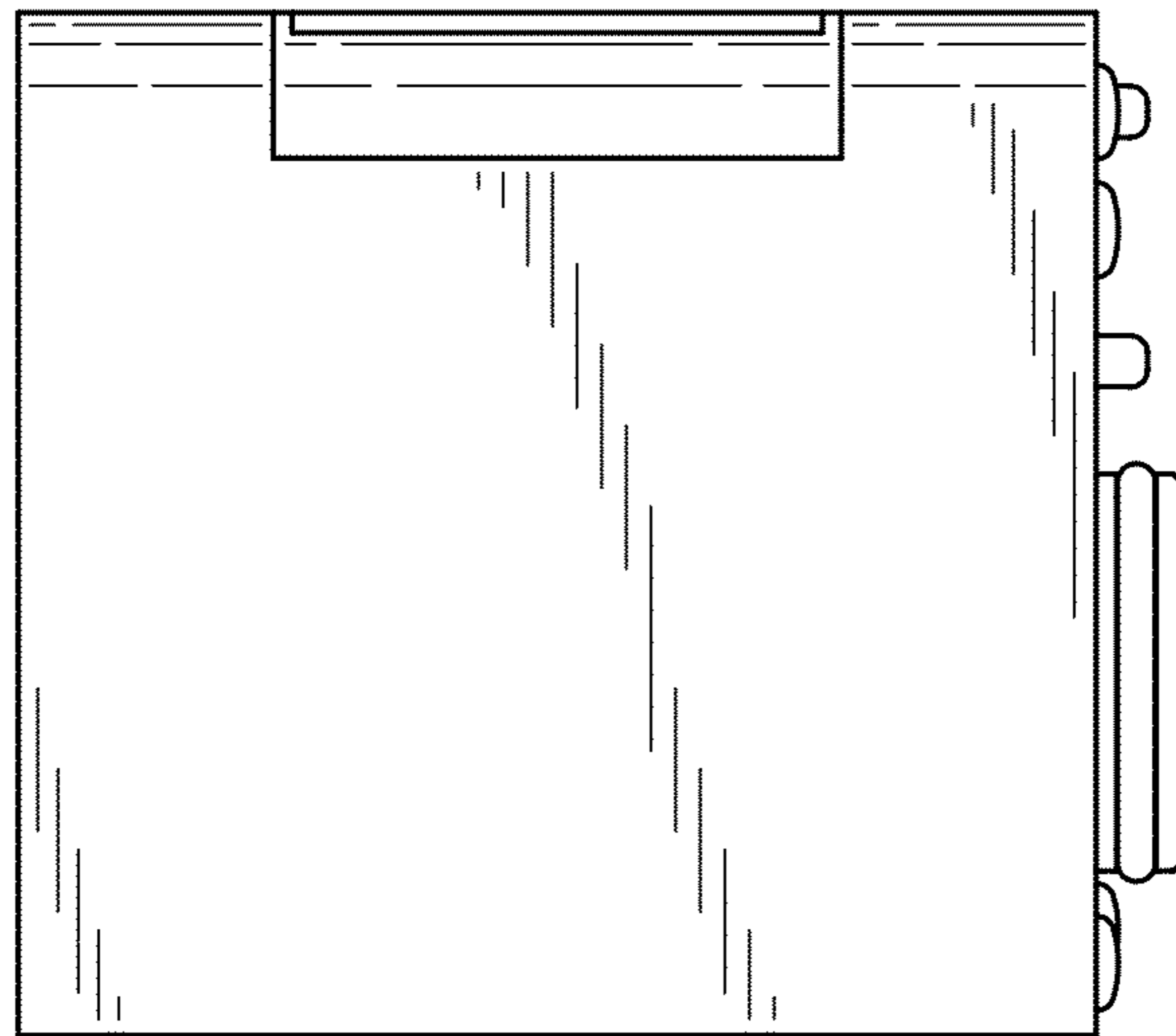


FIG. 16

