

US00D737764S

(12) **United States Design Patent**  
**Janos et al.**

(10) **Patent No.:** **US D737,764 S**  
(45) **Date of Patent:** **\*\* Sep. 1, 2015**

(54) **POWER SUPPLY ENCLOSURE**  
(71) Applicant: **The L.D. Kichler Co.**, Cleveland, OH (US)  
(72) Inventors: **Joseph John Janos**, Phoenix, AZ (US);  
**John Joseph Ascherl**, Medina, OH (US)  
(73) Assignee: **L.D. Kichler Co.**, Cleveland, OH (US)  
(\*\*) Term: **14 Years**

(21) Appl. No.: **29/471,684**  
(22) Filed: **Nov. 4, 2013**  
(51) **LOC (10) Cl.** ..... **13-02**  
(52) **U.S. Cl.**  
USPC ..... **D13/110**  
(58) **Field of Classification Search**  
USPC ..... 361/730, 836; D13/101, 110, 112, 113,  
D13/114, 115, 116, 118, 119, 122, 184,  
D13/199; D3/201, 272, 276, 279, 294, 432,  
D3/440; 363/1-178  
See application file for complete search history.

(56) **References Cited**  
U.S. PATENT DOCUMENTS  
D310,509 S \* 9/1990 Fushiya et al. .... D13/103  
D312,244 S \* 11/1990 Collins et al. .... D13/152  
D412,398 S \* 8/1999 Watabe ..... D3/294  
5,986,896 A \* 11/1999 Gibart et al. .... 363/16  
6,262,496 B1 \* 7/2001 Lamar et al. .... 307/117  
D446,500 S \* 8/2001 Krieger et al. .... D13/110  
D458,127 S \* 6/2002 de Groote ..... D9/423  
D493,772 S \* 8/2004 Veino et al. .... D13/110  
7,255,597 B2 \* 8/2007 Nakamura et al. .... 439/573  
D552,541 S \* 10/2007 Gossett ..... D13/116  
D557,203 S \* 12/2007 Grunow et al. .... D13/103

D562,229 S \* 2/2008 Peters ..... D13/103  
D572,480 S \* 7/2008 Buck et al. .... D3/294  
7,672,116 B2 \* 3/2010 Li et al. .... 361/641  
D620,885 S \* 8/2010 Donth ..... D13/110  
D691,803 S \* 10/2013 Chen ..... D3/294  
D701,490 S \* 3/2014 Inskeep ..... D13/110  
D703,617 S \* 4/2014 Janky et al. .... D13/154  
D705,164 S \* 5/2014 Tsai ..... D13/112  
2009/0067191 A1 \* 3/2009 Faber et al. .... 362/580  
2011/0170239 A1 \* 7/2011 Nelson et al. .... 361/623  
2012/0196304 A1 \* 8/2012 Dees et al. .... 435/7.92  
2014/0249684 A1 \* 9/2014 Nickerson et al. .... 700/284

\* cited by examiner

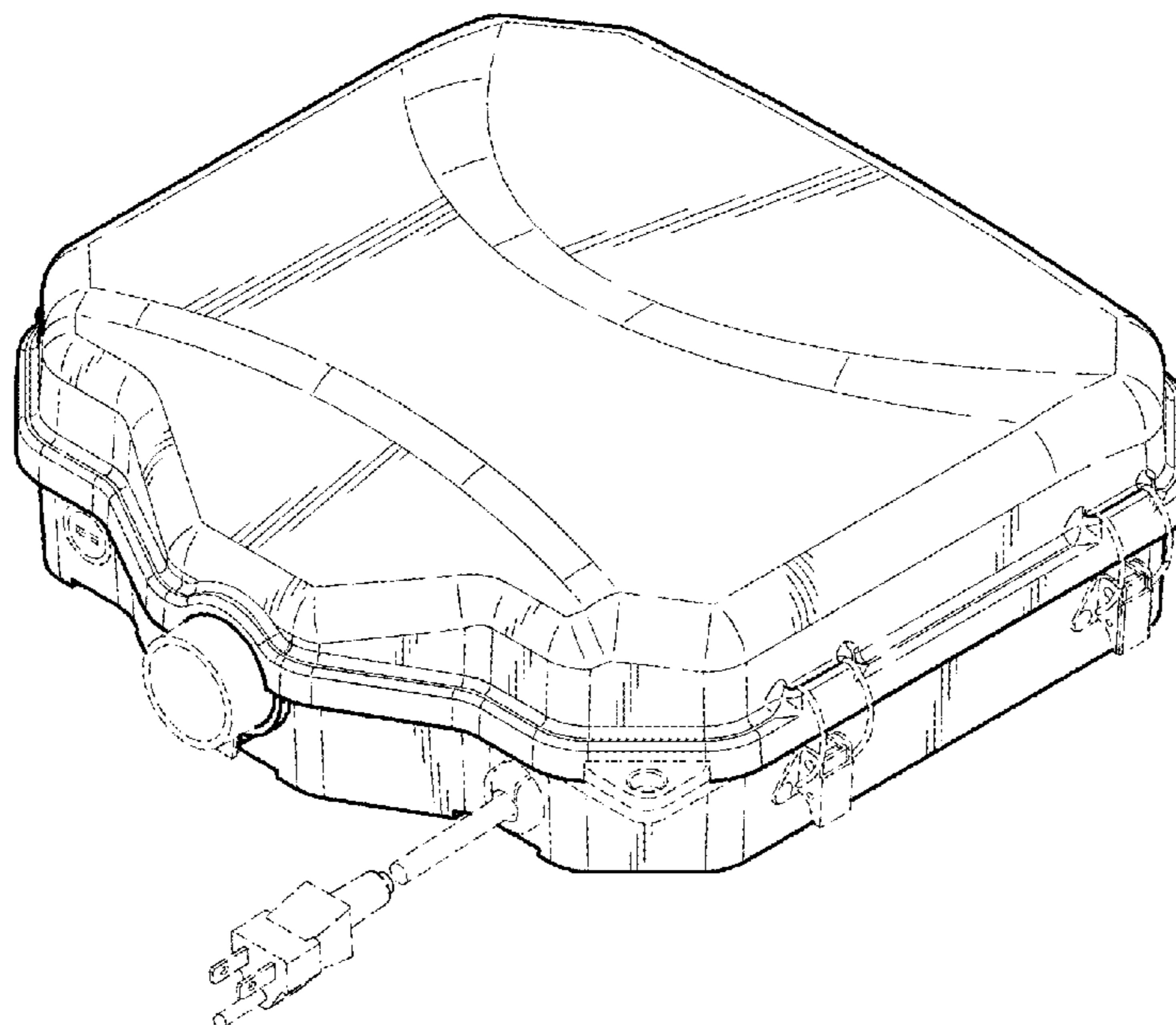
*Primary Examiner* — Derrick Holland  
*Assistant Examiner* — Jennifer O King  
(74) *Attorney, Agent, or Firm* — Calfee Halter & Griswold, LLP

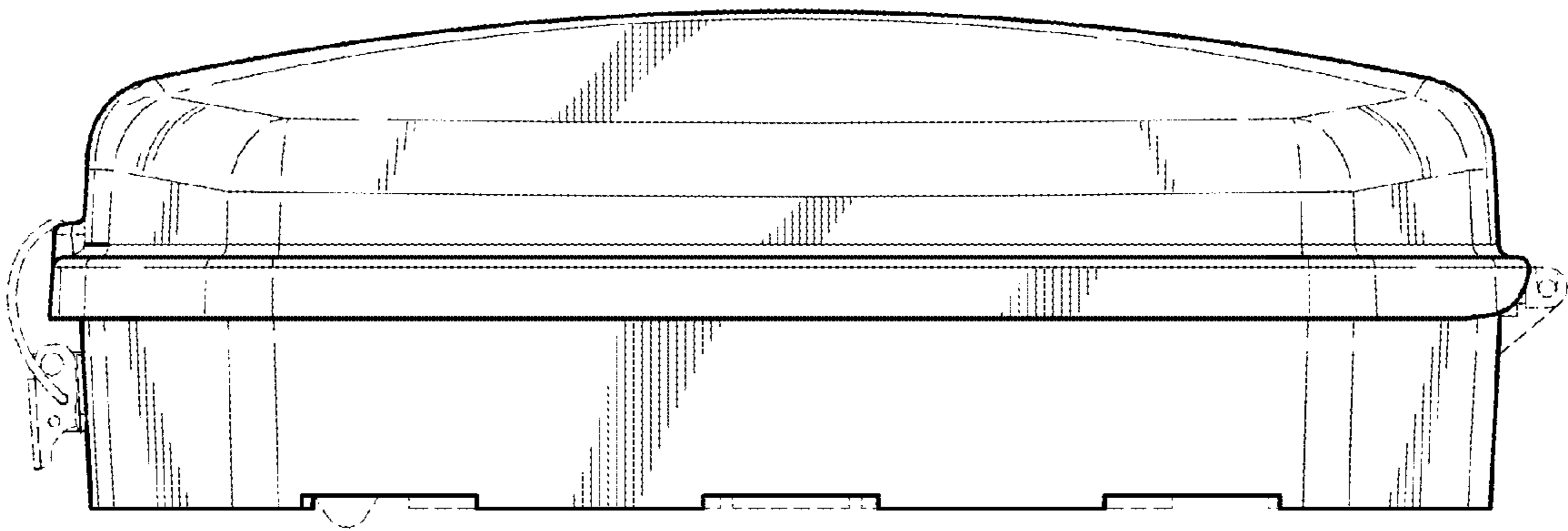
(57) **CLAIM**  
We claim the ornamental design for a power supply enclosure, as shown and described.

**DESCRIPTION**

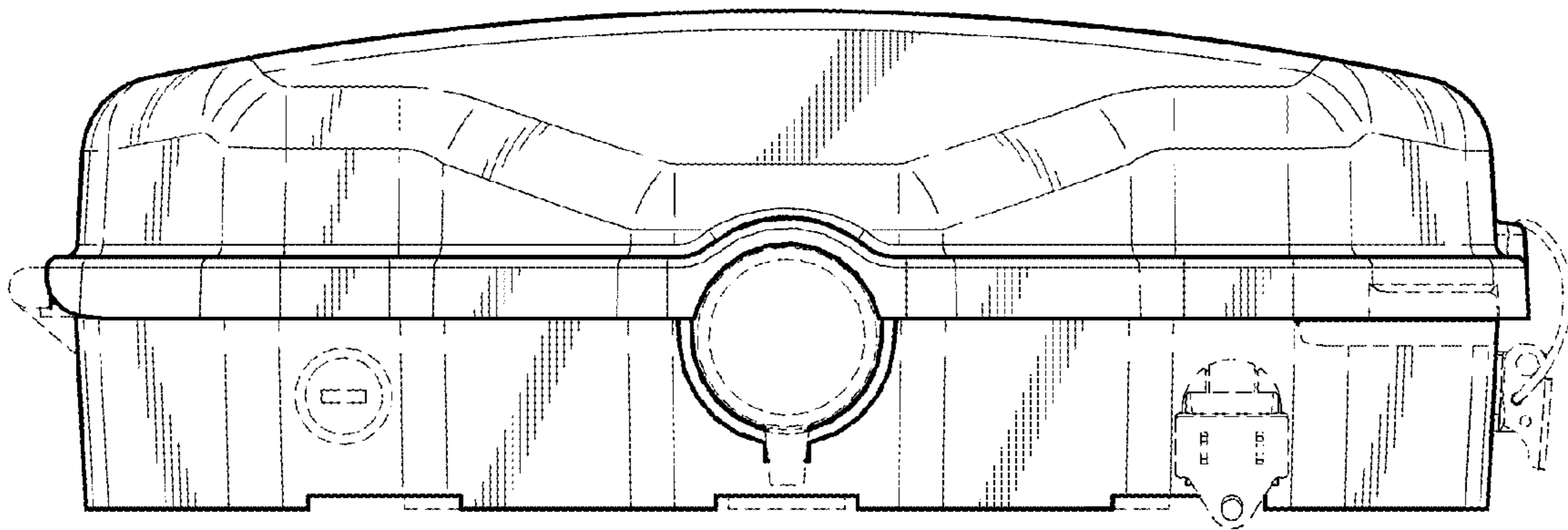
FIG. 1 is a top view of a power supply enclosure;  
FIG. 2 is a bottom view thereof;  
FIG. 3 is a front/left/top perspective view thereof;  
FIG. 4 is a front/right/top perspective view thereof;  
FIG. 5 is a front/right/bottom perspective view thereof;  
FIG. 6 is a front/left/bottom perspective view thereof;  
FIG. 7 is a left side view thereof;  
FIG. 8 is a right side view thereof;  
FIG. 9 is a front view thereof; and,  
FIG. 10 is a rear view thereof.  
The broken lines shown represent unclaimed subject matter and form no part of the claimed design.

**1 Claim, 6 Drawing Sheets**

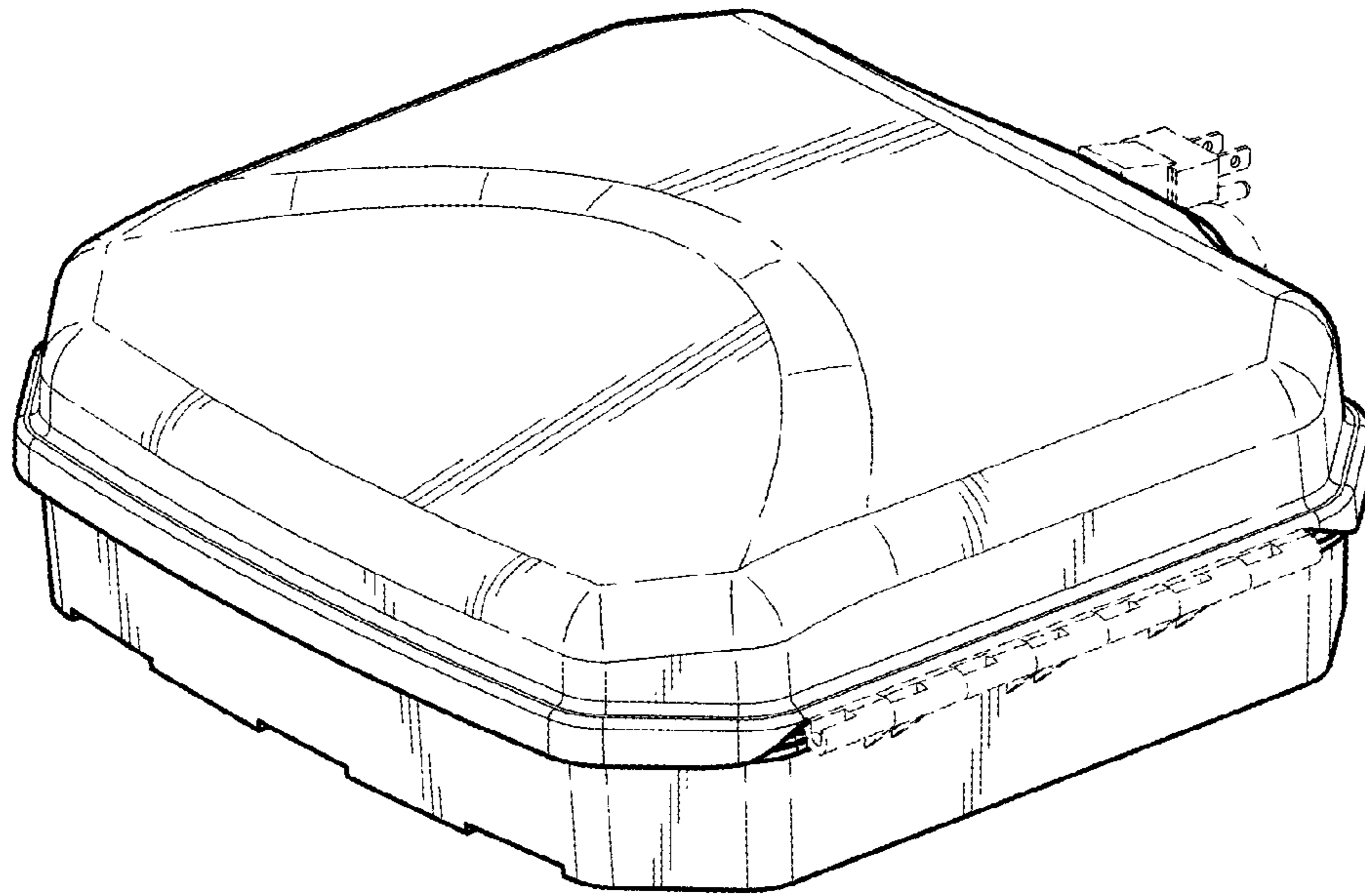




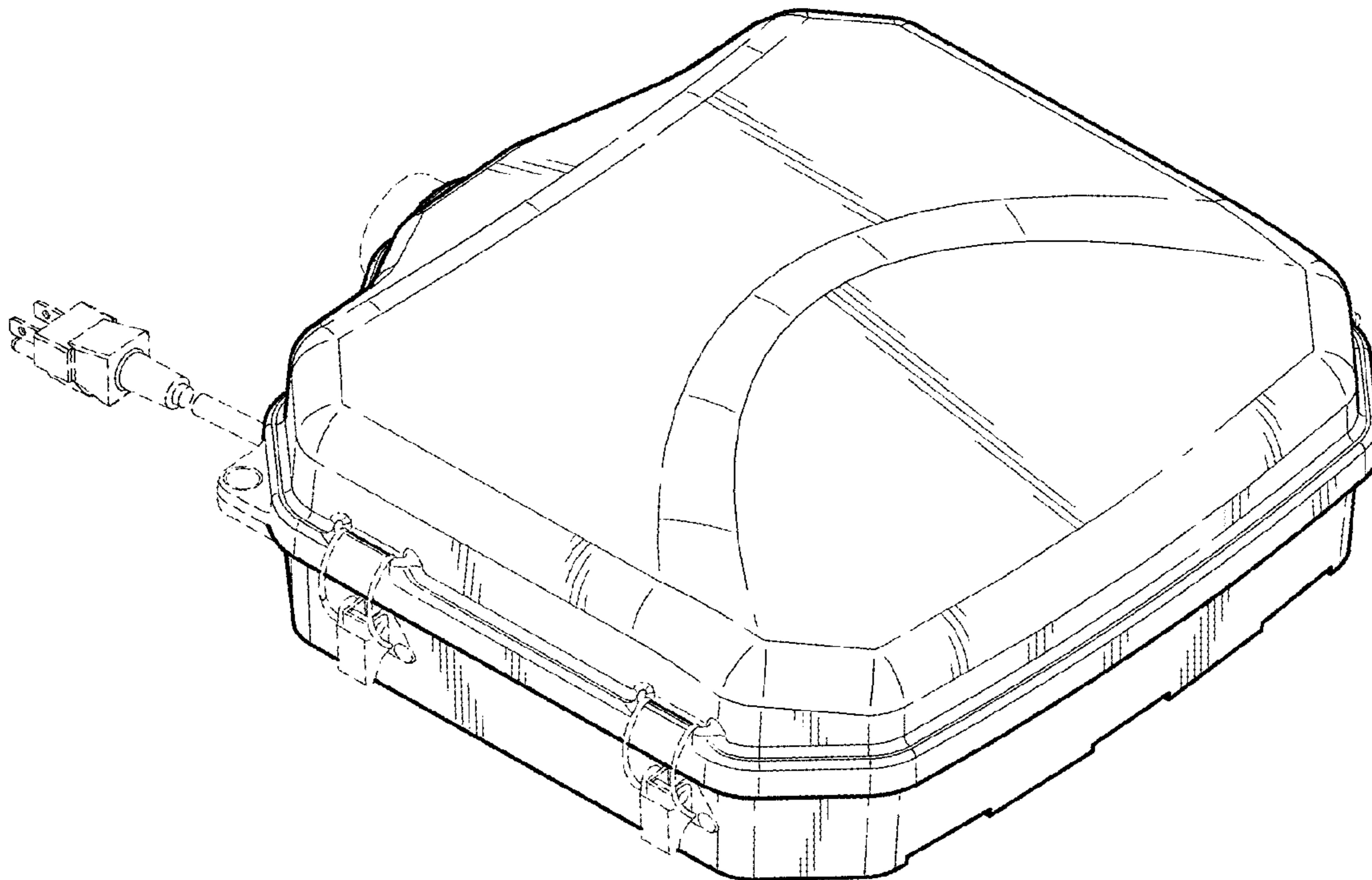
*FIG. 1*



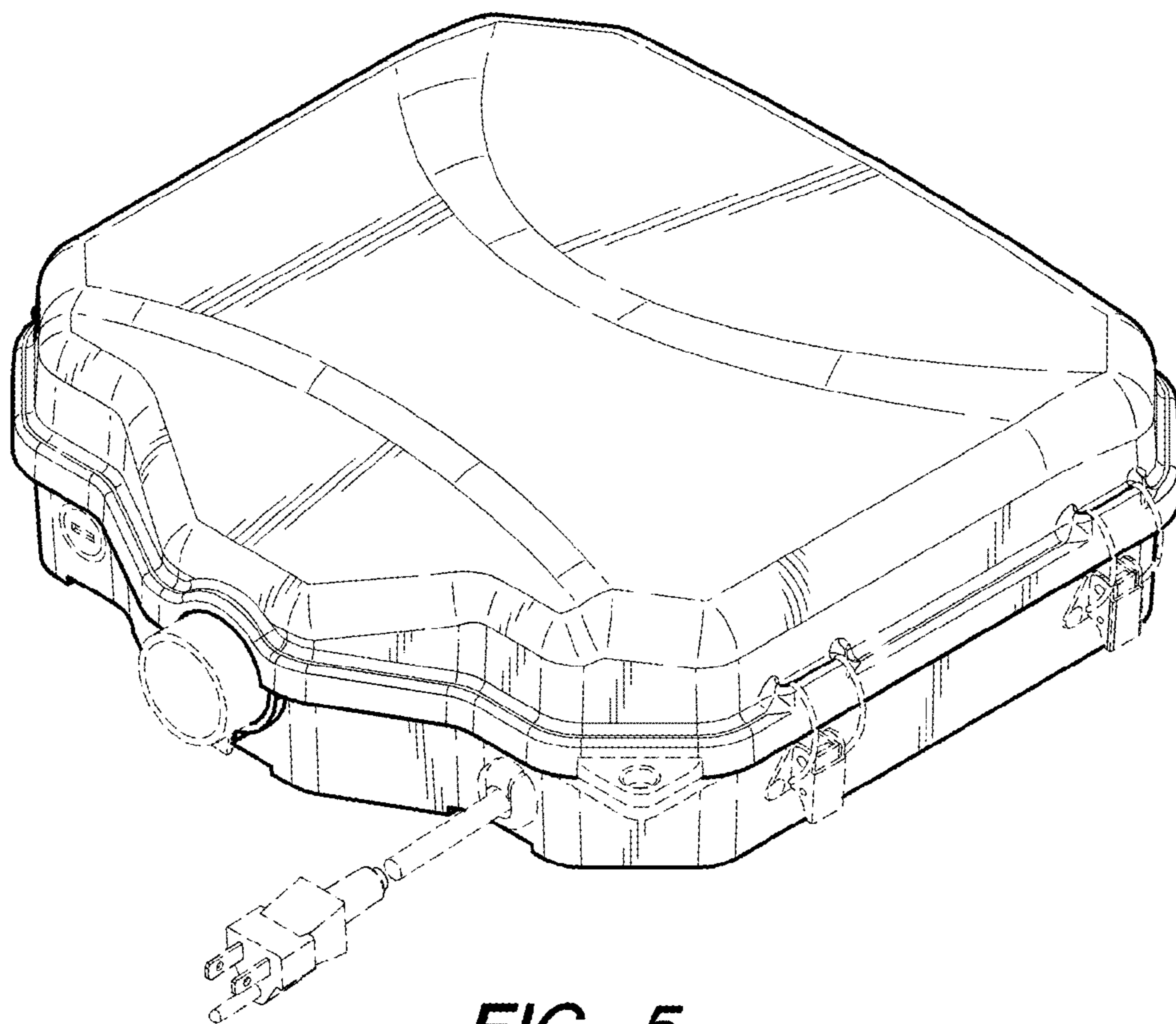
*FIG. 2*



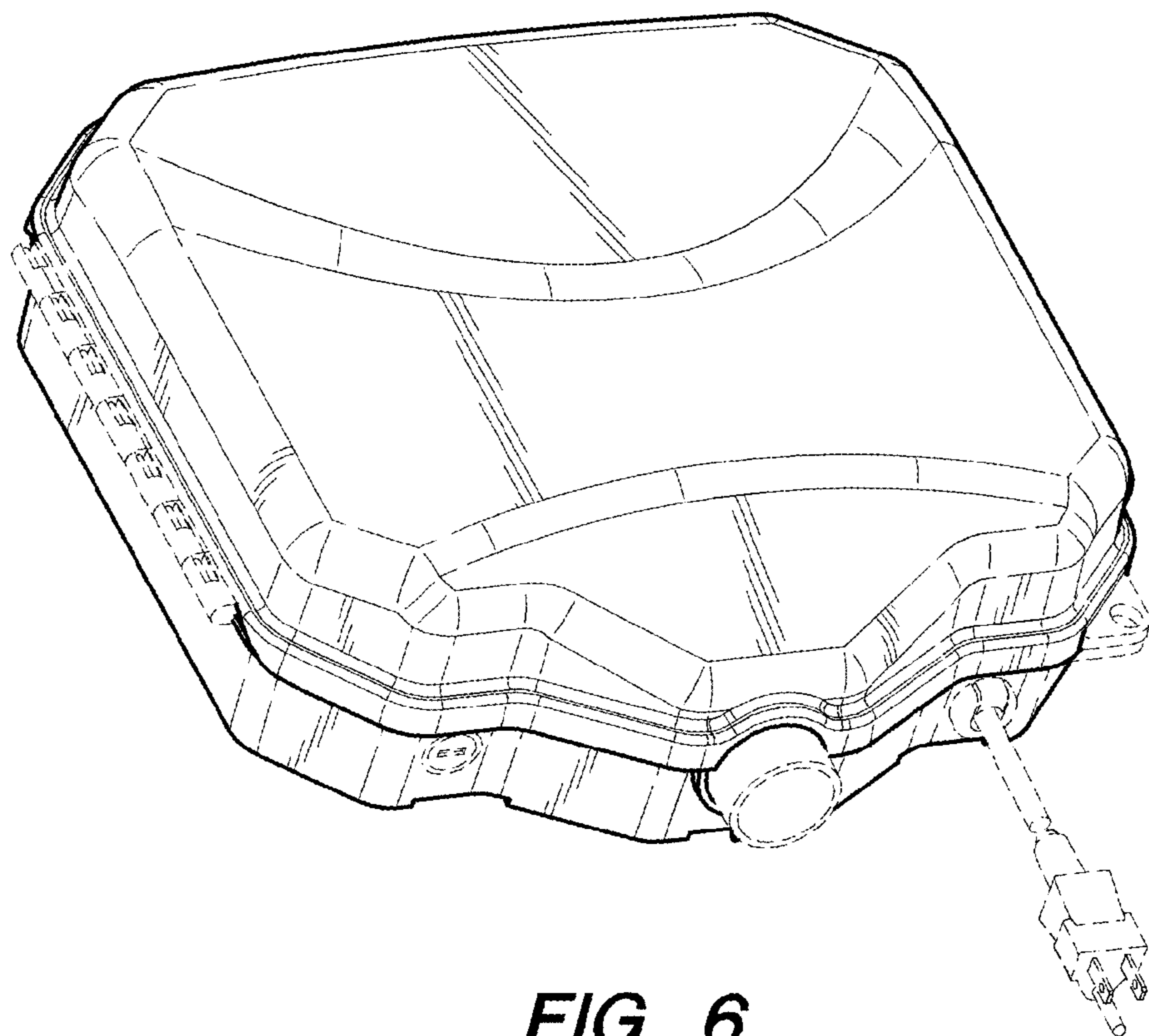
**FIG. 3**



**FIG. 4**



**FIG. 5**



**FIG. 6**

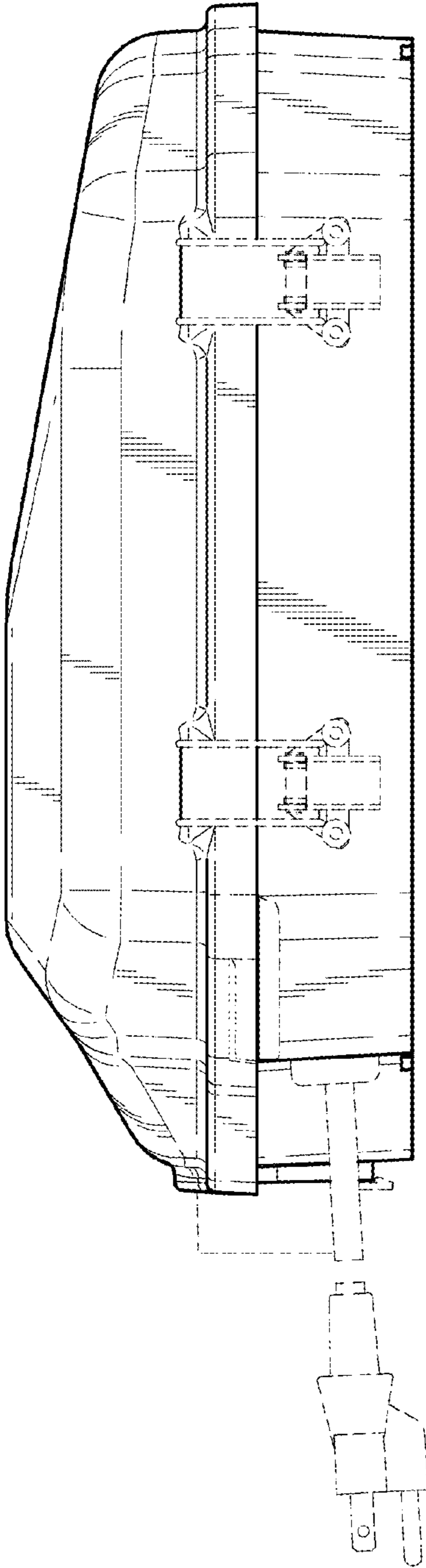


FIG. 7

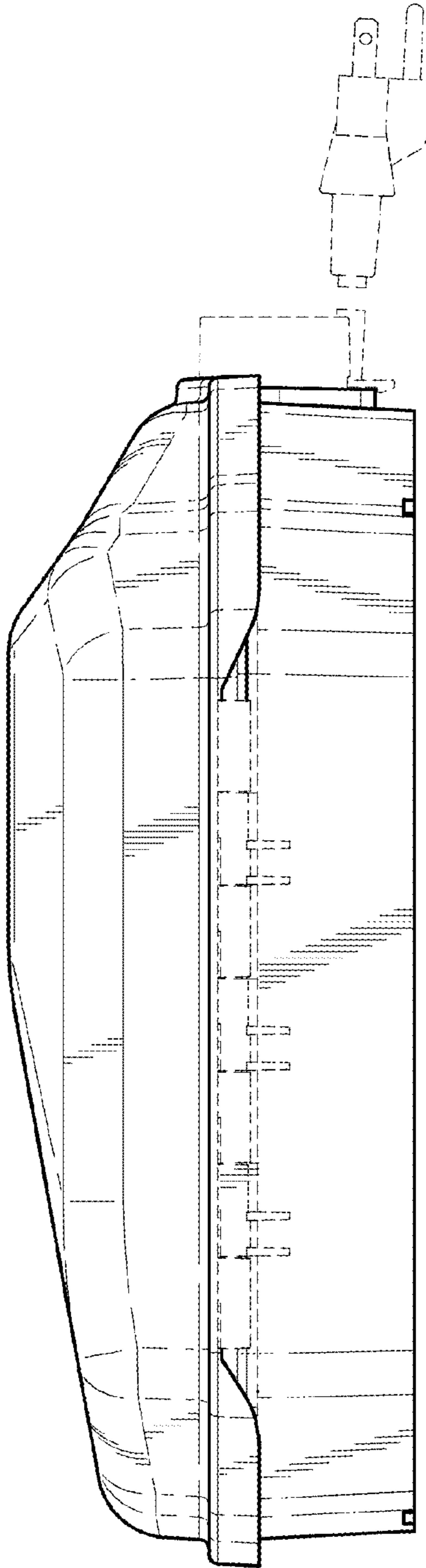
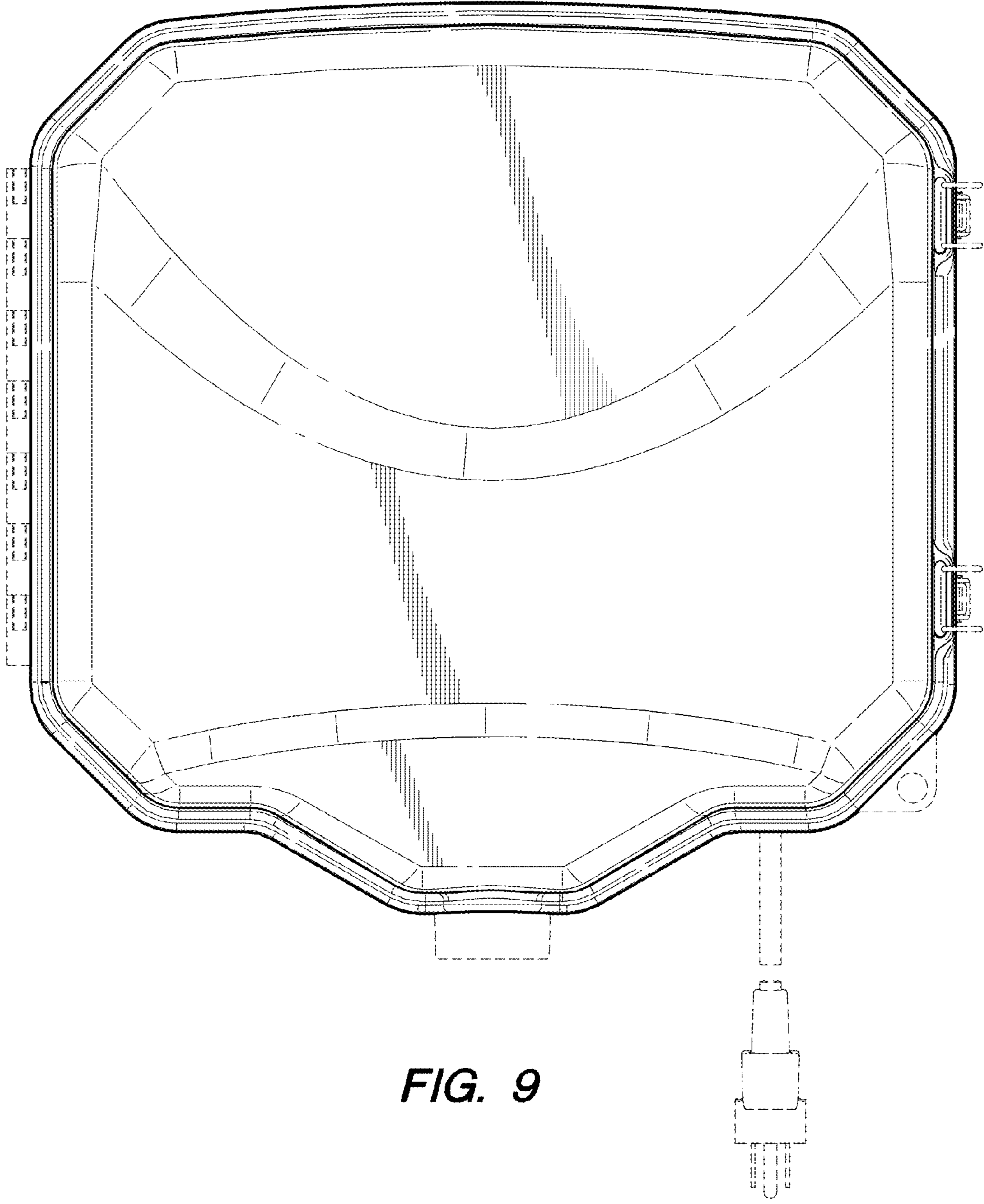
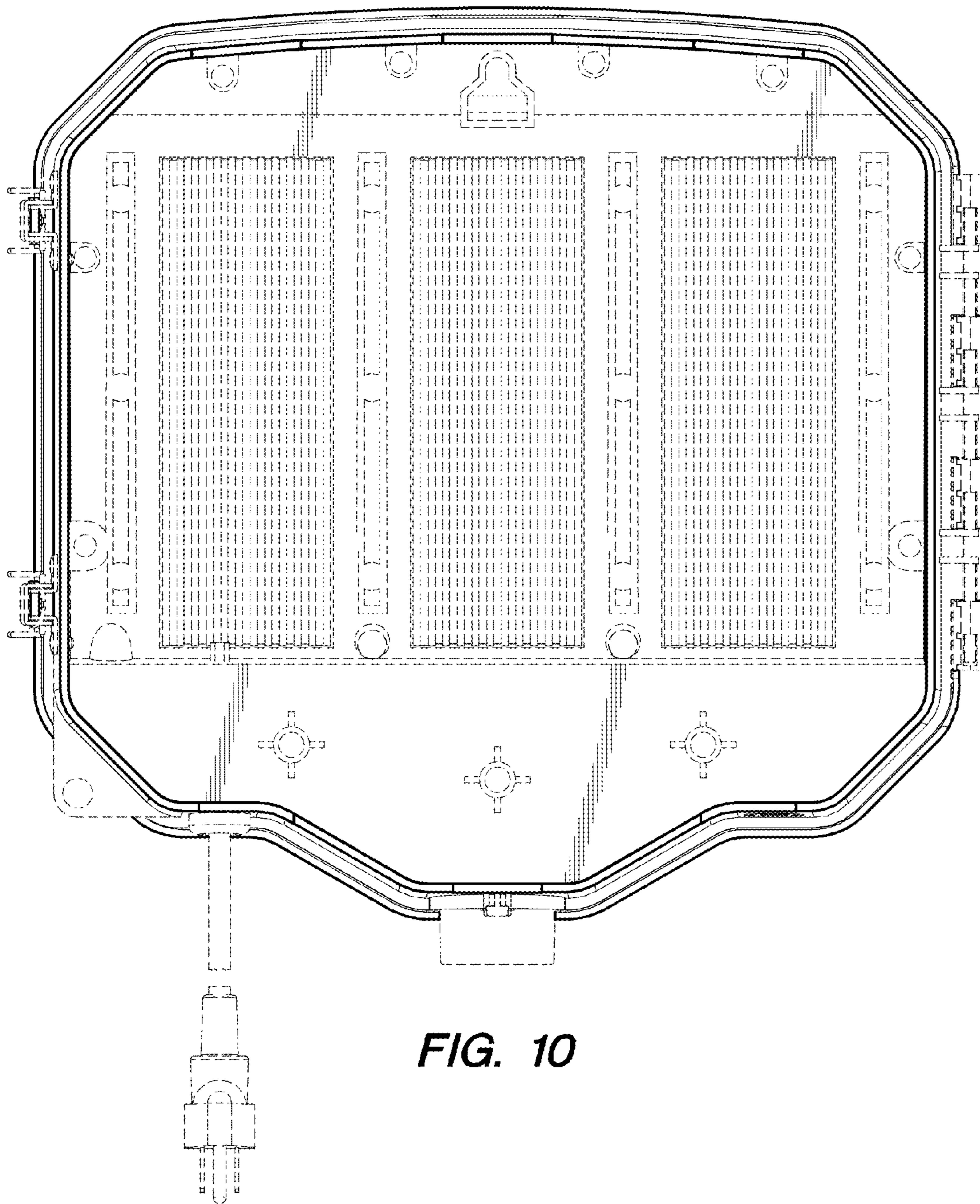


FIG. 8



**FIG. 9**



**FIG. 10**