



US00D737763S

(12) **United States Design Patent**
Capriola

(10) **Patent No.:** **US D737,763 S**

(45) **Date of Patent:** **** Sep. 1, 2015**

(54) **MOBILE POWER SUPPLY**

(71) Applicant: **Jonathan Capriola**, Sarasota, FL (US)

(72) Inventor: **Jonathan Capriola**, Sarasota, FL (US)

(**) Term: **14 Years**

(21) Appl. No.: **29/449,895**

(22) Filed: **Mar. 15, 2013**

(51) **LOC (10) Cl.** **13-02**

(52) **U.S. Cl.**
USPC **D13/110**

(58) **Field of Classification Search**
USPC D13/103, 110, 118, 123, 124, 133, 154,
D13/158, 160, 162, 162.1, 164, 168, 169,
D13/171, 199; 446/91, 128; D21/300, 331,
D21/332, 333, 484
See application file for complete search history.

(56) **References Cited**

U.S. PATENT DOCUMENTS

D263,299	S	*	3/1982	Jacobs	D13/168
4,883,440	A	*	11/1989	Bolli	446/91
D313,398	S	*	1/1991	Gilchrist	D13/168
D315,144	S	*	3/1991	Dard et al.	D13/162
D336,462	S	*	6/1993	Maes	D13/158
D415,098	S	*	10/1999	Zimmer	D13/103
D454,546	S	*	3/2002	MacKay	D13/160
6,443,796	B1	*	9/2002	Shackelford	446/91
D497,145	S	*	10/2004	Seo	D13/158
D497,395	S	*	10/2004	Hancock et al.	D21/333
D519,937	S	*	5/2006	Laurent et al.	D13/160

D519,988	S	*	5/2006	Tanaka	D14/218
D521,457	S	*	5/2006	Laurent et al.	D13/160
D526,968	S	*	8/2006	Castaldo	D13/169
D552,039	S	*	10/2007	Liao	D13/162
D580,879	S	*	11/2008	Andersson	D13/158
D621,791	S	*	8/2010	Koskela et al.	D13/158
D694,703	S	*	12/2013	Faro	D13/103
D706,711	S	*	6/2014	Robinson et al.	D13/110
2010/0311300	A1	*	12/2010	Hansen et al.	446/91
2014/0127965	A1	*	5/2014	Adam	446/91
2014/0273711	A1	*	9/2014	Capriola	446/91

* cited by examiner

Primary Examiner — Derrick Holland

Assistant Examiner — Jennifer O King

(74) *Attorney, Agent, or Firm* — Allen Dyer Doppelt
Milbrath & Gilchrist

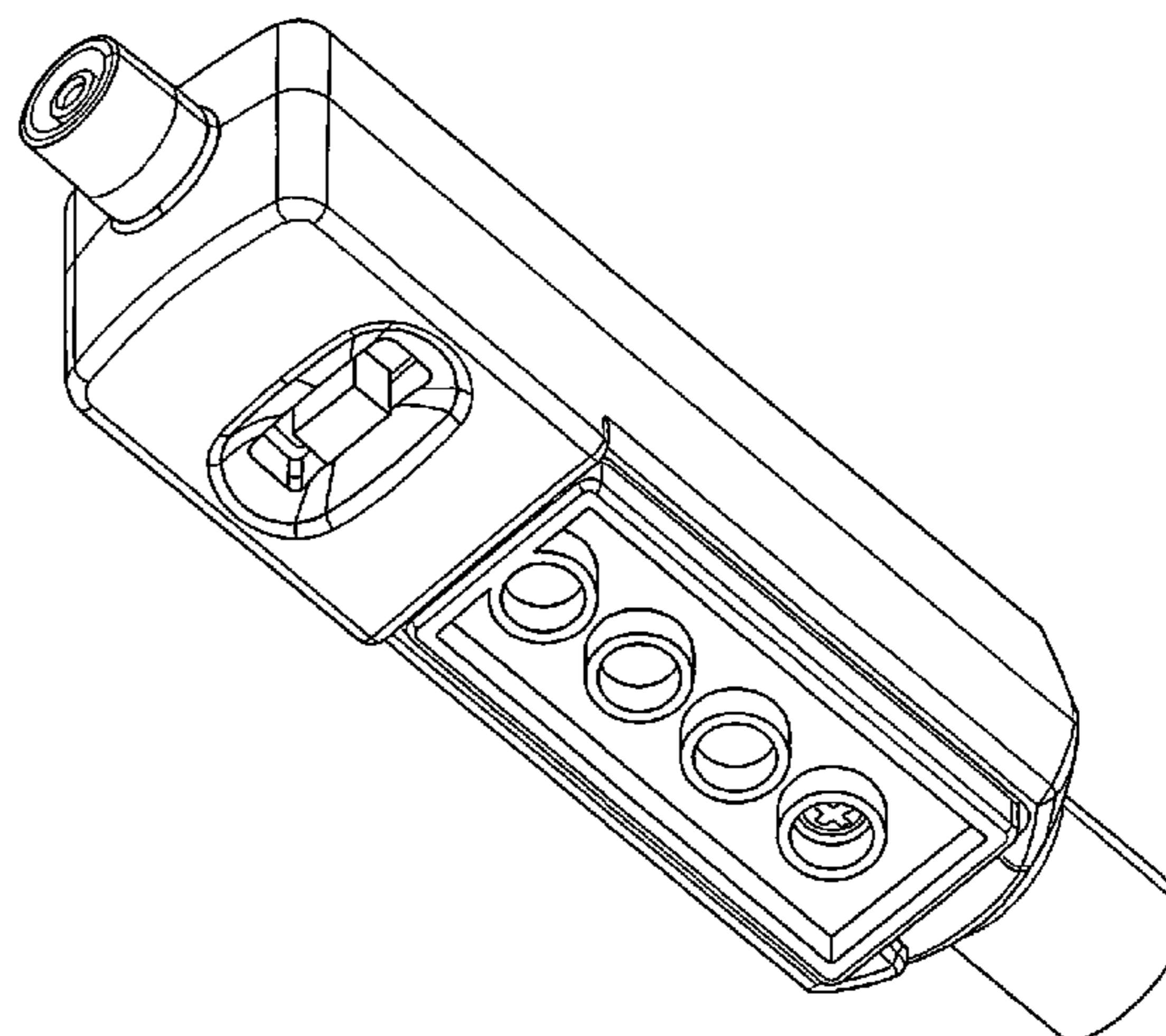
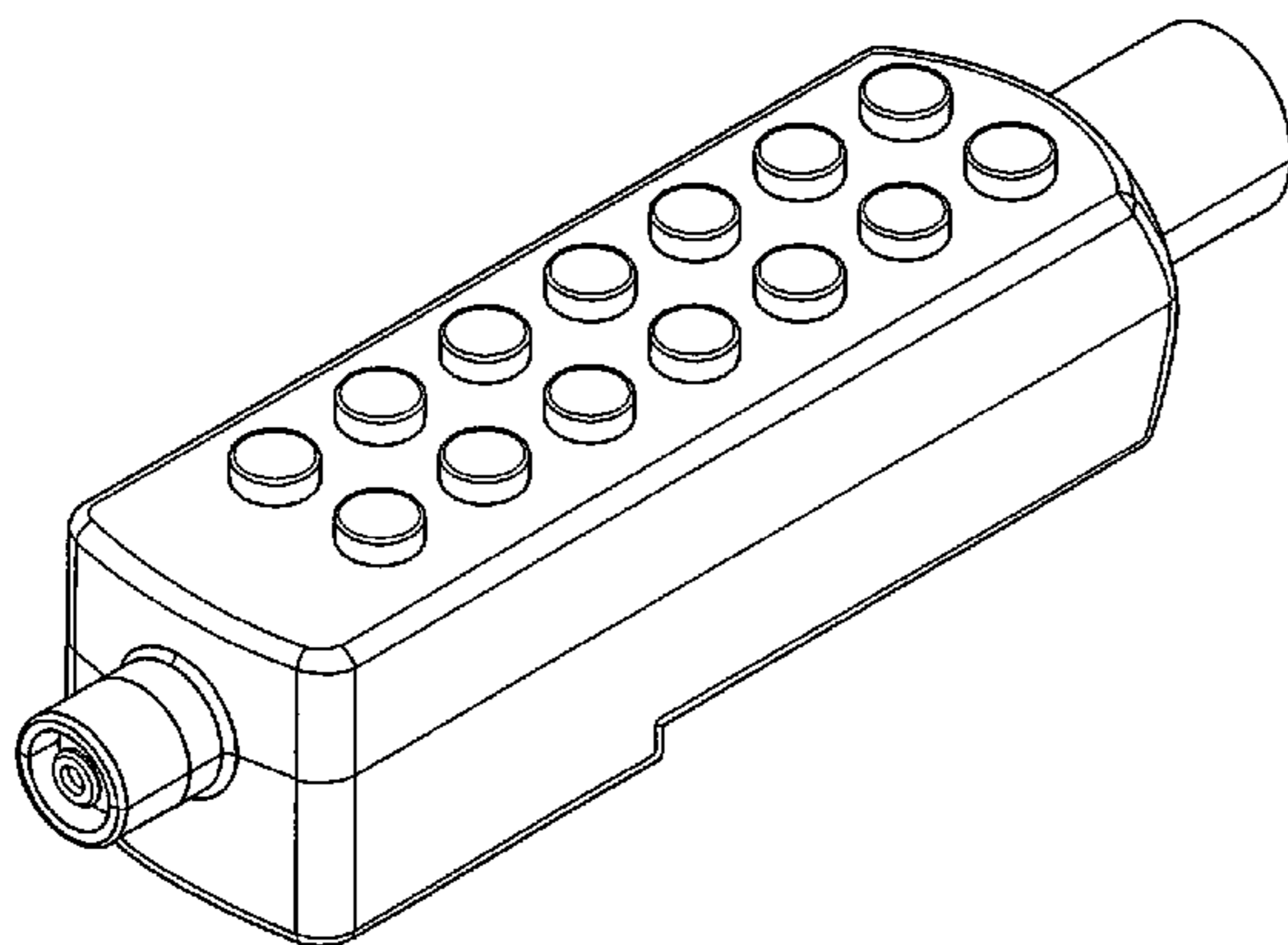
(57) **CLAIM**

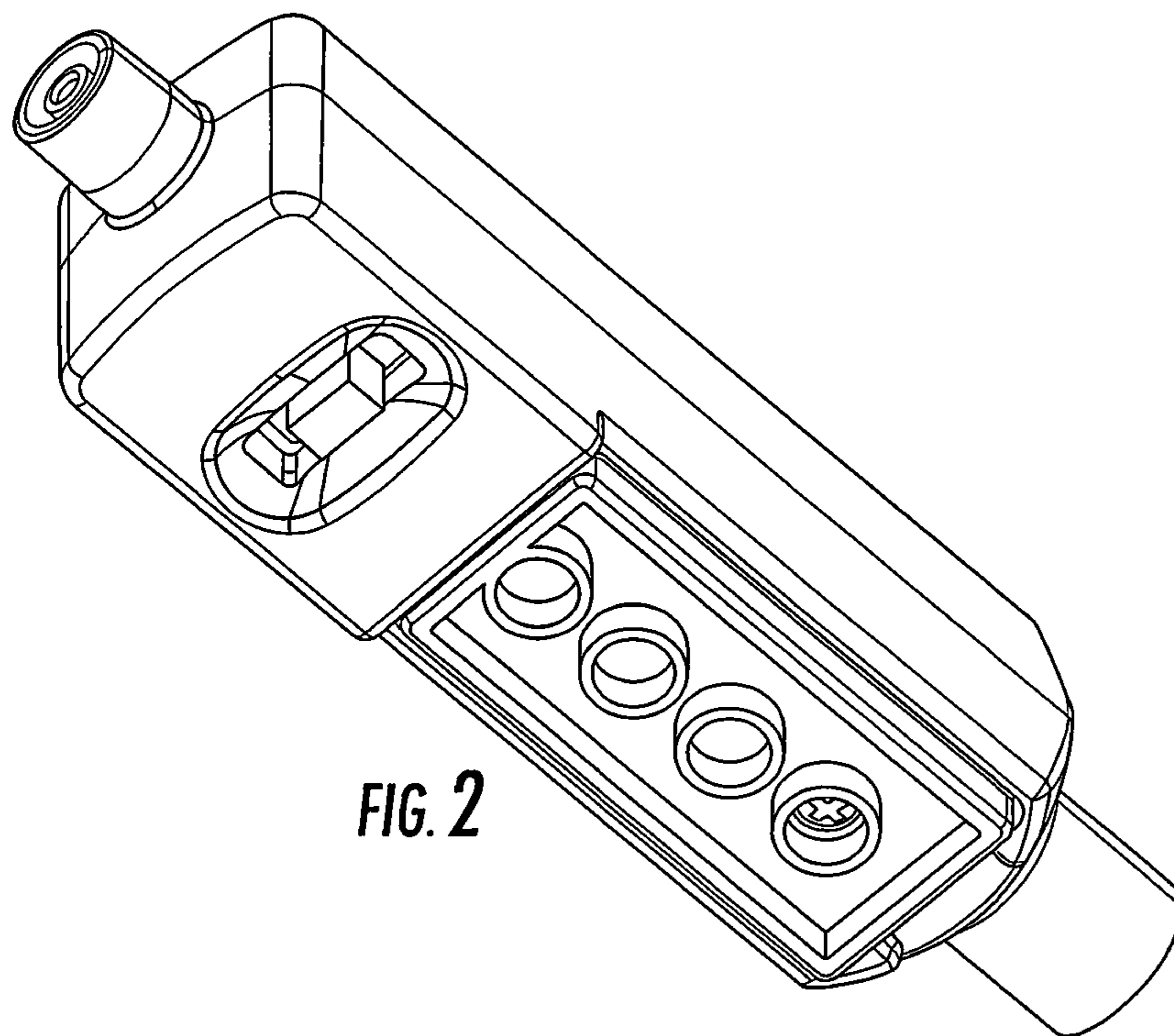
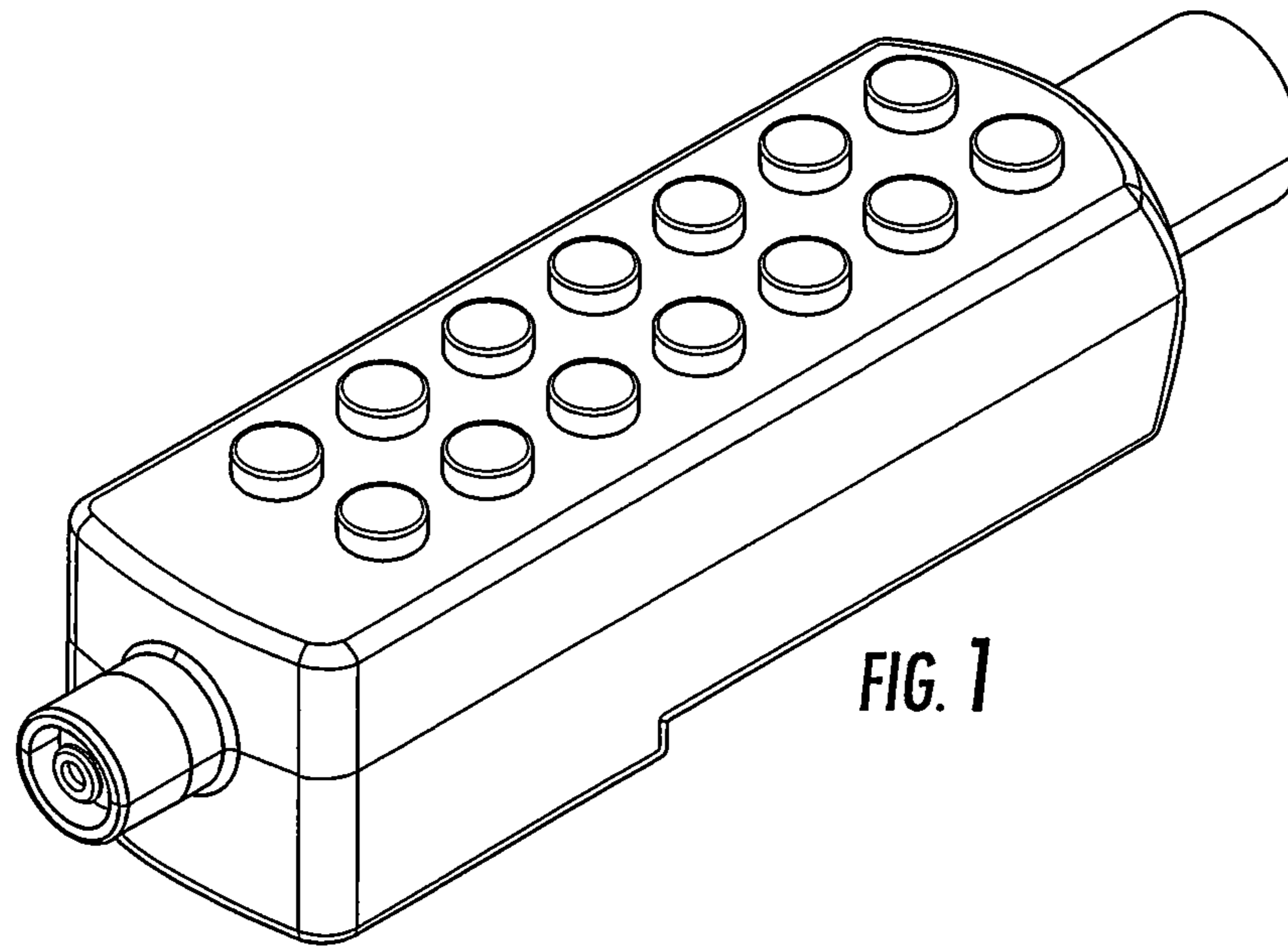
The ornamental design for a mobile power supply, as shown.

DESCRIPTION

FIG. 1 is a front, top and left perspective view of a mobile power supply showing my new design;
FIG. 2 is a front, bottom and left perspective view thereof;
FIG. 3 is a top view thereof;
FIG. 4 is a bottom view thereof;
FIG. 5 is a left side view thereof;
FIG. 6 is a right side view thereof;
FIG. 7 is a front view thereof; and,
FIG. 8 is a rear view thereof.

1 Claim, 4 Drawing Sheets





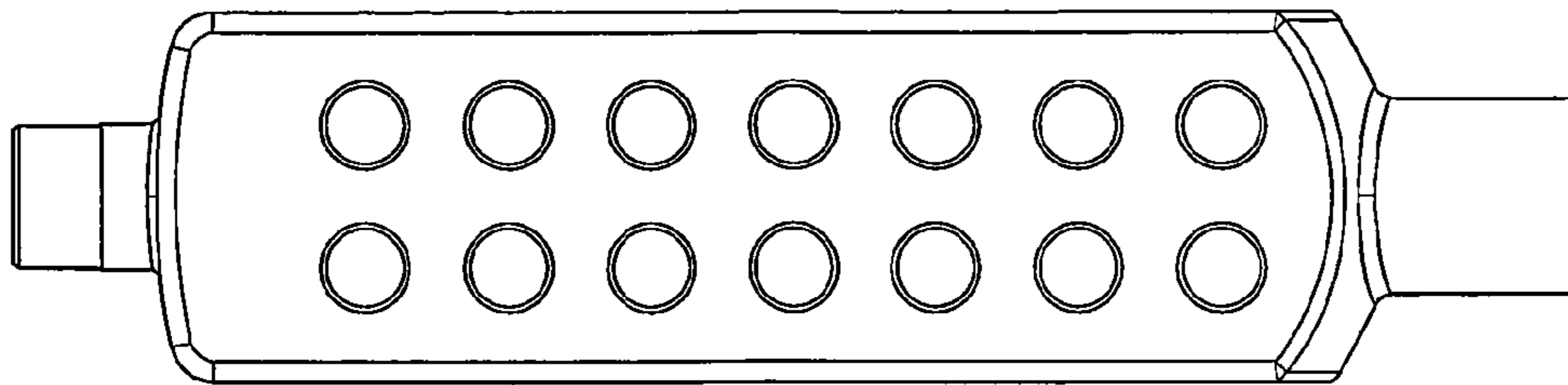


FIG. 3

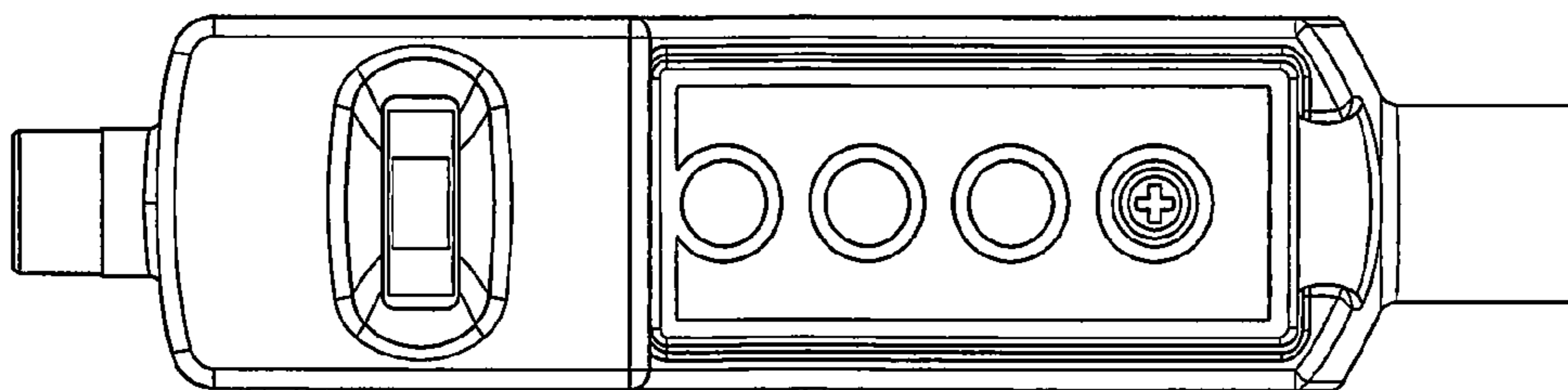


FIG. 4

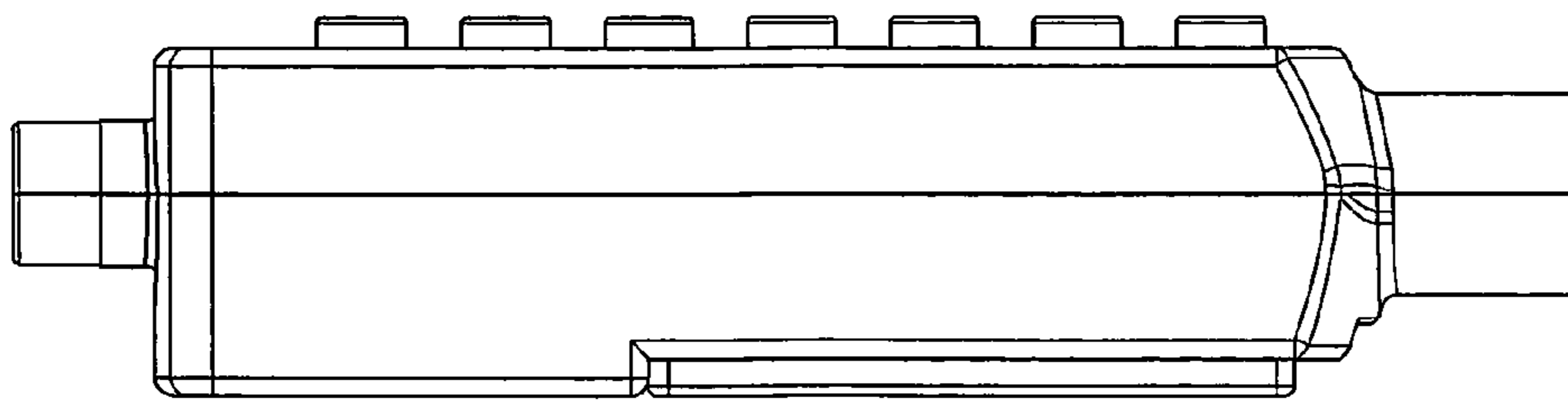


FIG. 5

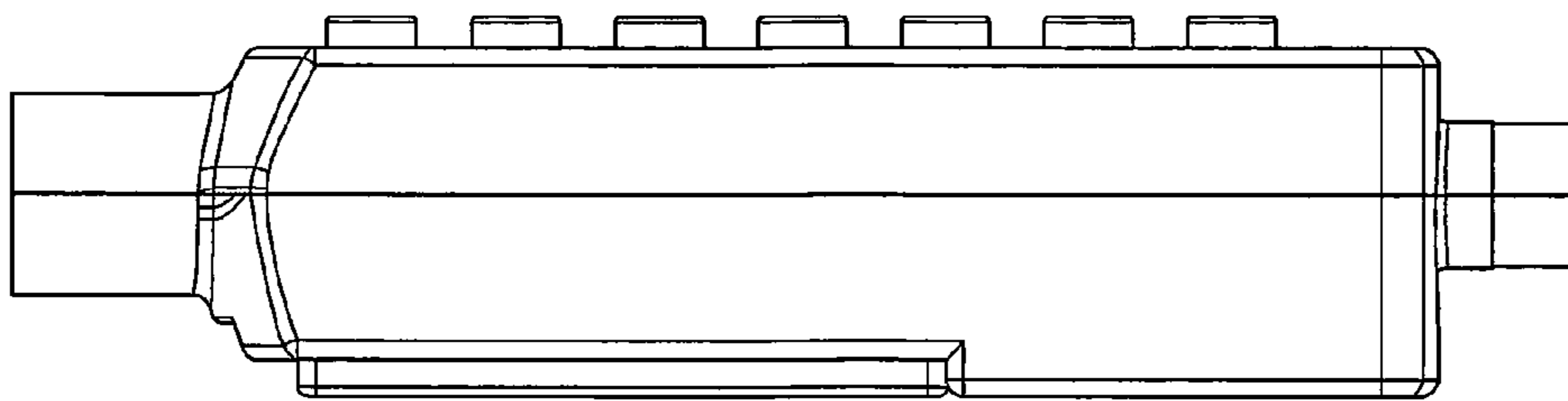


FIG. 6

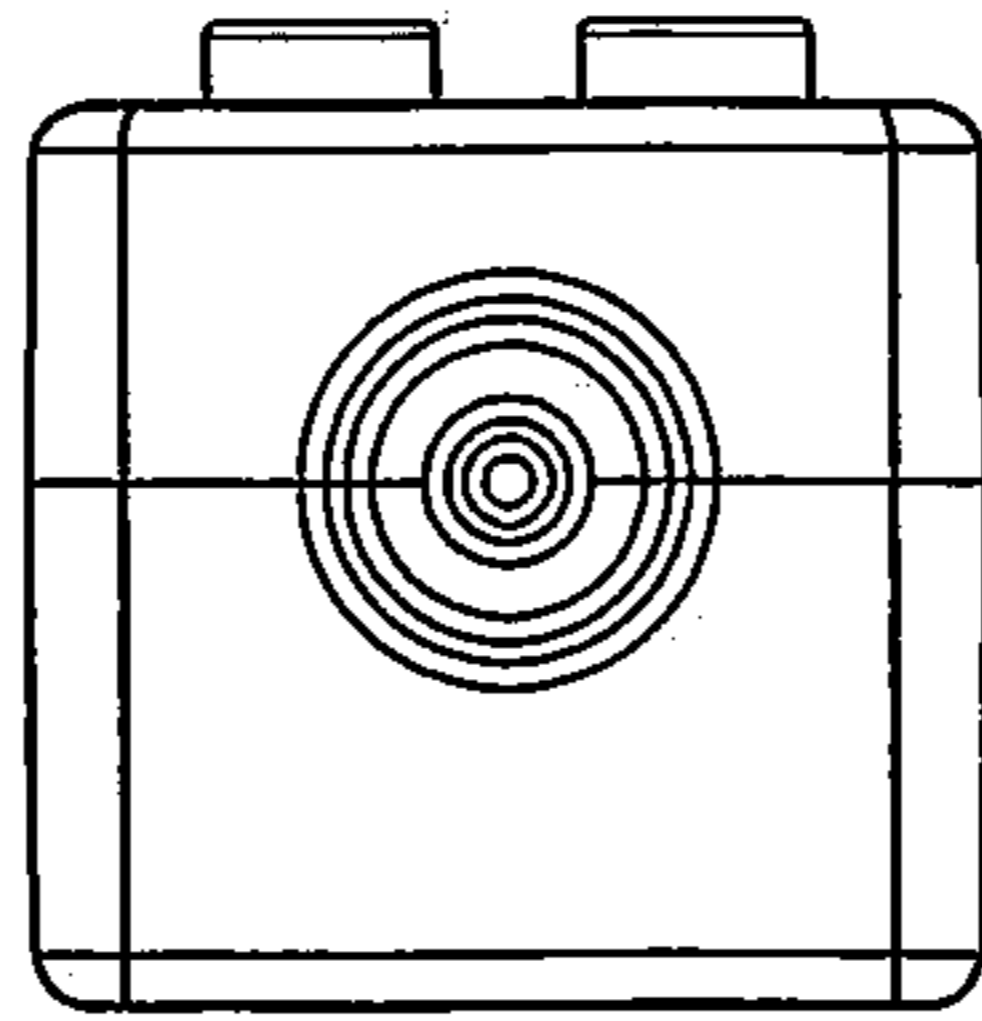


FIG. 7

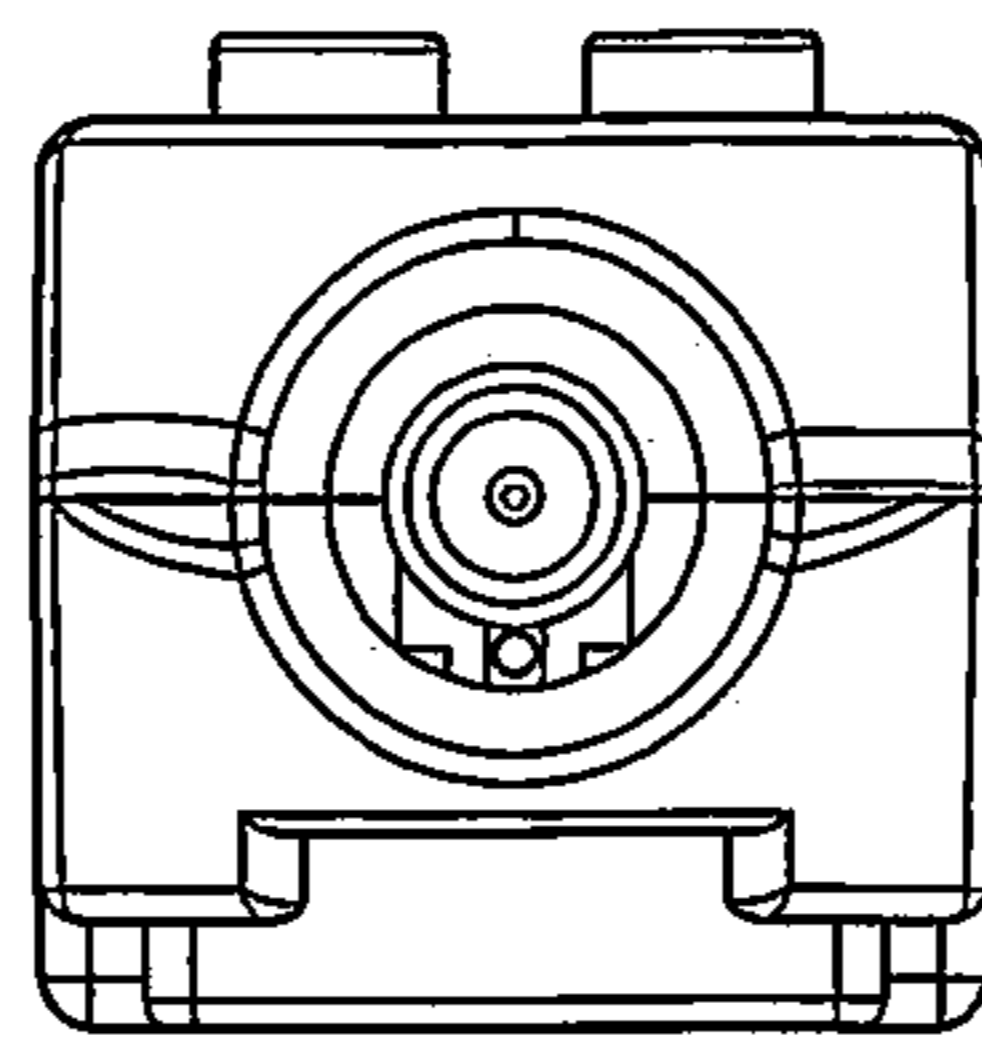


FIG. 8