

US00D737762S

(12) **United States Design Patent**
Aumiller et al.

(10) **Patent No.:** **US D737,762 S**
(45) **Date of Patent:** **** Sep. 1, 2015**

(54) **CHARGER FOR AN ELECTRONIC DEVICE**

- (71) Applicant: **Samsung Electronics Co., Ltd.**,
Suwon-si (KR)
- (72) Inventors: **Curtis Aumiller**, San Jose, CA (US);
Pranav Mistry, Cupertino, CA (US);
Chengyuan Wei, Dalian (CN)
- (73) Assignee: **Samsung Electronics Co., Ltd.**,
Suwon-si (KR)
- (**) Term: **14 Years**
- (21) Appl. No.: **29/520,439**
- (22) Filed: **Mar. 13, 2015**

Related U.S. Application Data

- (63) Continuation-in-part of application No. 29/506,263,
filed on Oct. 14, 2014, now Pat. No. Des. 727,260,
which is a continuation of application No. 29/449,567,
filed on Mar. 15, 2013, now Pat. No. Des. 718,712.
- (51) **LOC (10) Cl.** **13-02**
- (52) **U.S. Cl.**
USPC **D13/108**
- (58) **Field of Classification Search**
USPC D13/107–110, 118–119, 182, 199;
D14/251, 253, 432, 434; 320/107–115
CPC Y02E 60/12; Y02T 90/14; Y02T 90/122;
Y02T 90/128; Y02T 90/163; H02J 7/025;
H02J 7/0042; H02J 7/0044; H02J 7/0045;
H02J 7/0003; H01F 38/14; H01R 13/6675;
H01M 2/1022; H01M 2/1055; H01M 10/44;
H01M 10/46; H01M 10/425; B60L 11/182
See application file for complete search history.

(56) **References Cited**

U.S. PATENT DOCUMENTS

| | | | |
|--------------|---------|-------------------|---------|
| D221,081 S * | 7/1971 | Kahn | D13/110 |
| D300,678 S | 4/1989 | Barrault | |
| D503,717 S * | 4/2005 | Kawamura | D14/432 |
| D526,973 S | 8/2006 | Gates et al. | |
| D537,409 S | 2/2007 | Suzuki | |
| D550,614 S | 9/2007 | Fee et al. | |
| D558,207 S * | 12/2007 | Ikeda et al. | D14/434 |
| D558,208 S * | 12/2007 | Ikeda et al. | D14/434 |
| D558,209 S * | 12/2007 | Ikeda et al. | D14/434 |
| D570,773 S * | 6/2008 | Lloyd et al. | D13/110 |
| D575,289 S | 8/2008 | Kuo et al. | |
| D585,898 S | 2/2009 | Skurdai | |
| D602,858 S * | 10/2009 | Ellis et al. | D13/108 |
| D620,884 S * | 8/2010 | Lee et al. | D13/108 |
| D625,262 S * | 10/2010 | Lee et al. | D13/118 |
| D627,718 S * | 11/2010 | Houghton | D13/108 |

(Continued)

OTHER PUBLICATIONS

Robert V, Apple Watch, blog, Sep. 11, 2014, Dugom Pinoy, <http://www.dugompinoy.com/2014/09/this-is-apple-watch.html>.

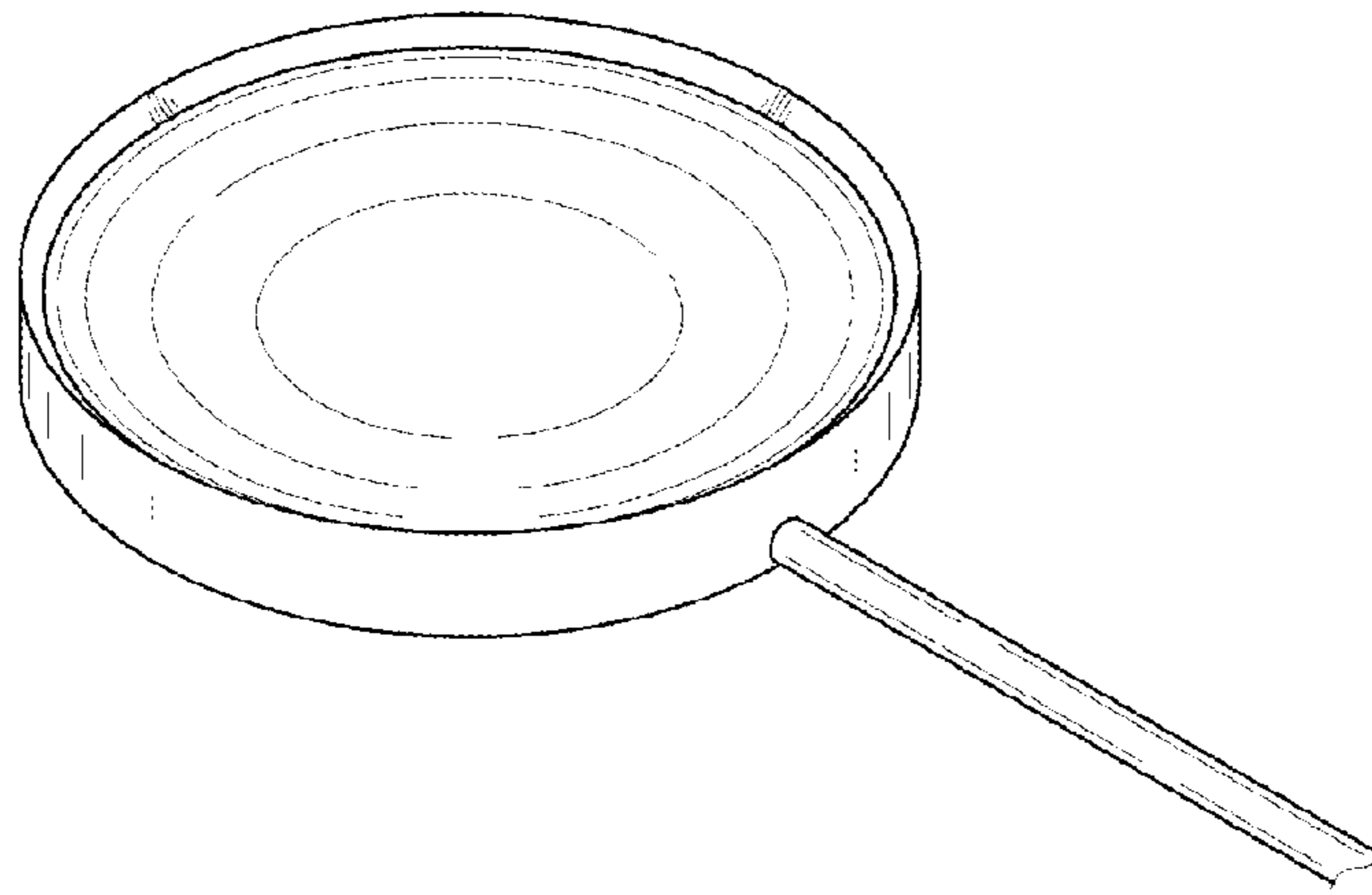
Primary Examiner — Rosemary K Tarcza
(74) *Attorney, Agent, or Firm* — McAndrews Held & Malloy, Ltd.

(57) **CLAIM**
The ornamental design for a charger for an electronic device,
as shown and described.

DESCRIPTION

FIG. 1 is a top right front perspective view of a charger for an electronic device showing our new design;
FIG. 2 is a front view thereof;
FIG. 3 is a rear view thereof;
FIG. 4 is a left-side elevation view thereof;
FIG. 5 is a right-side elevation view thereof;
FIG. 6 is a top plan view thereof;
FIG. 7 is a bottom plan view thereof; and,
FIG. 8 is a right-side elevation cross-section view thereof,
taken along line 8-8 of FIG. 6.

1 Claim, 4 Drawing Sheets



(56)

References Cited

U.S. PATENT DOCUMENTS

| | | | | | | | |
|--------------|--------|--------------------------|---------|-----------------|---------|-----------------------|---------|
| D640,976 S * | 7/2011 | Matsuoka | D13/108 | D694,182 S * | 11/2013 | Lee et al. | D13/108 |
| D642,524 S * | 8/2011 | Fitch et al. | D13/110 | D696,190 S | 12/2013 | Brandtman et al. | |
| D654,431 S * | 2/2012 | Stephanchick et al. | D13/108 | D697,027 S * | 1/2014 | Ho | D13/108 |
| D659,093 S * | 5/2012 | Schmid et al. | D13/108 | D697,475 S | 1/2014 | Regole | |
| D680,541 S | 4/2013 | Lee et al. | | D701,831 S * | 4/2014 | Park et al. | D13/108 |
| D687,772 S * | 8/2013 | Chikos et al. | D13/108 | D704,634 S * | 5/2014 | Eidelman et al. | D13/108 |
| | | | | D706,212 S * | 6/2014 | Zwierstra et al. | D13/107 |
| | | | | D717,244 S * | 11/2014 | Reishus et al. | D13/108 |
| | | | | 2009/0134838 A1 | 5/2009 | Raghuprasad | |

* cited by examiner

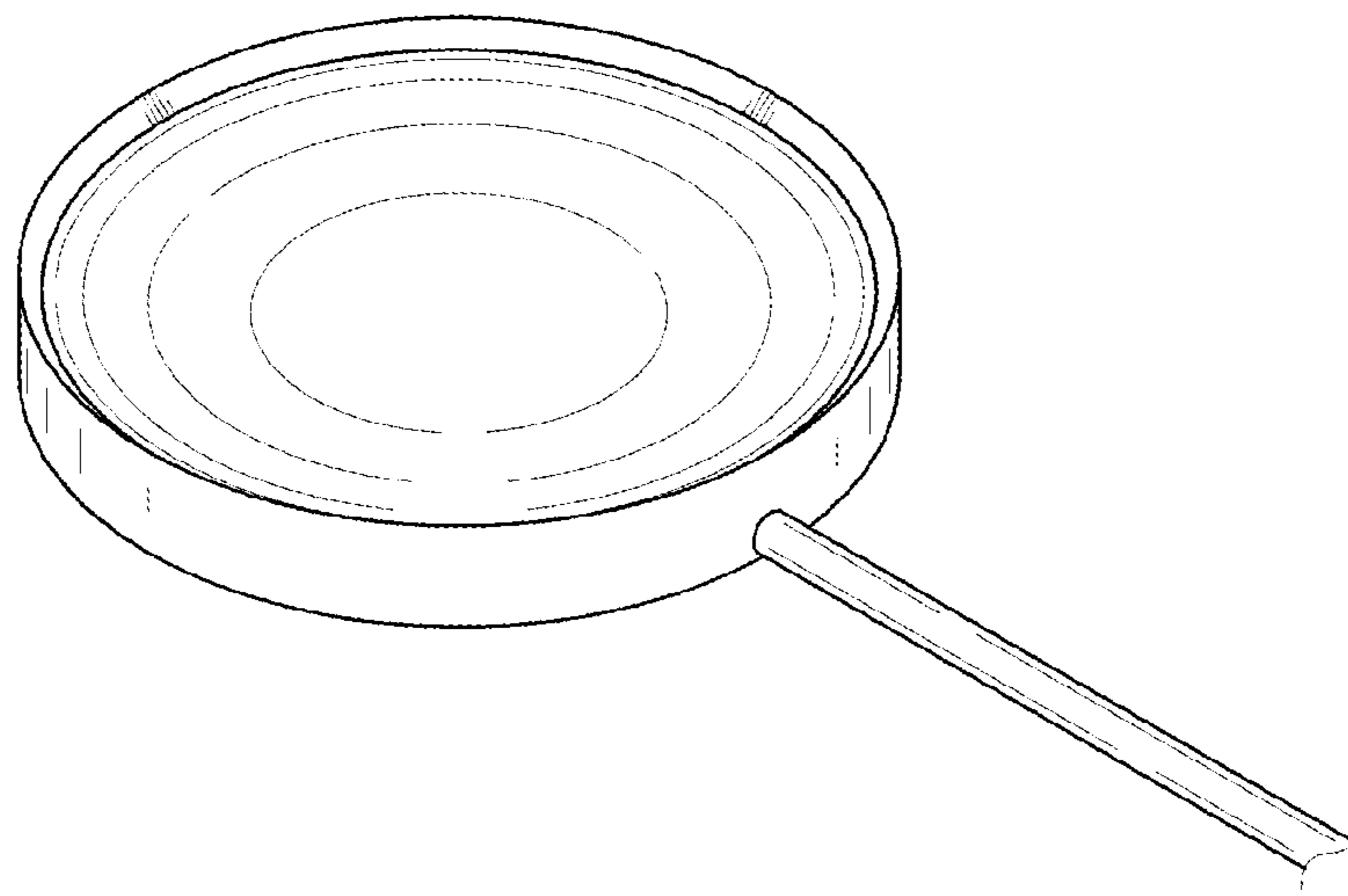


FIG.1



FIG. 2



FIG. 3



FIG. 4



FIG. 5

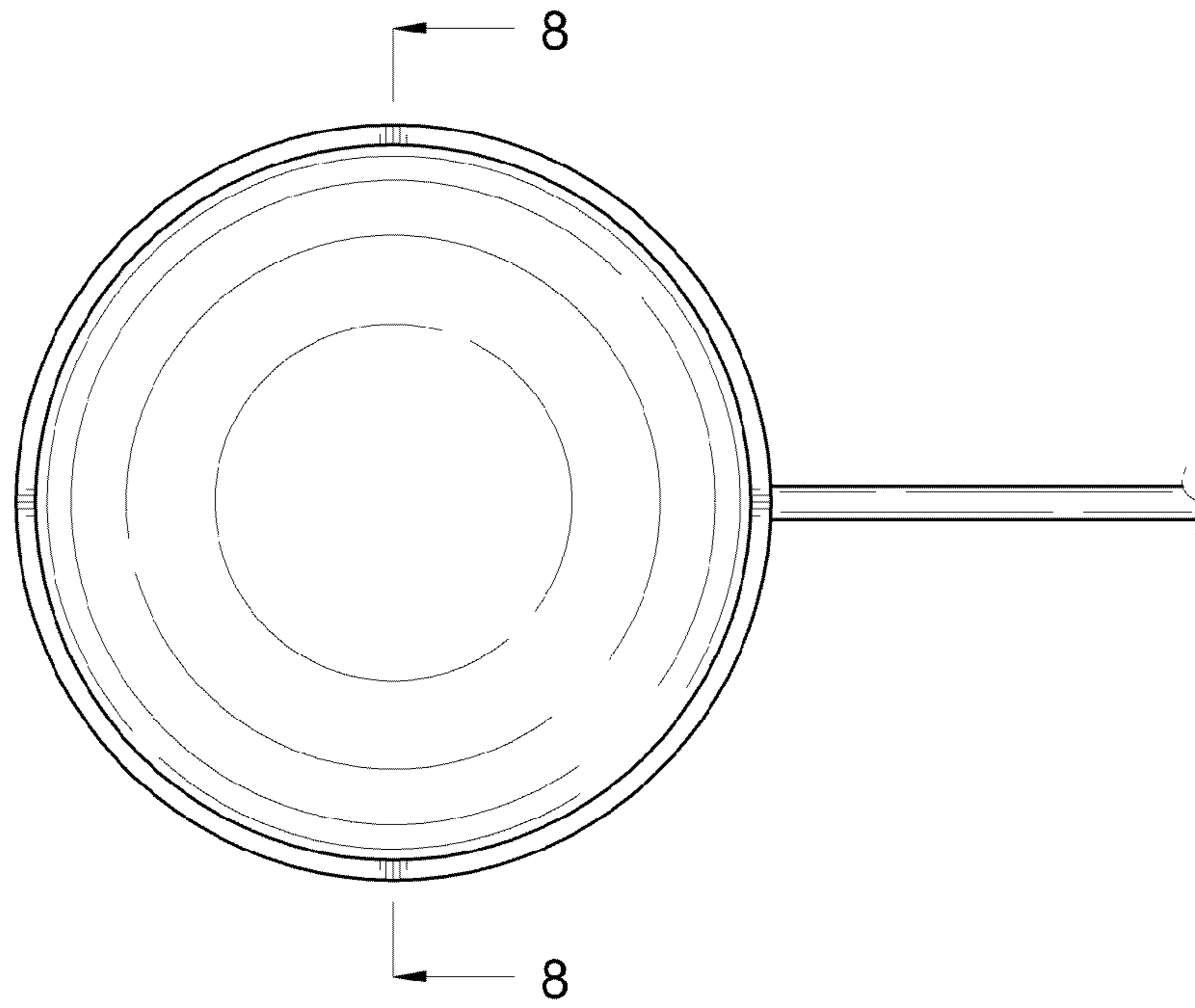


FIG. 6

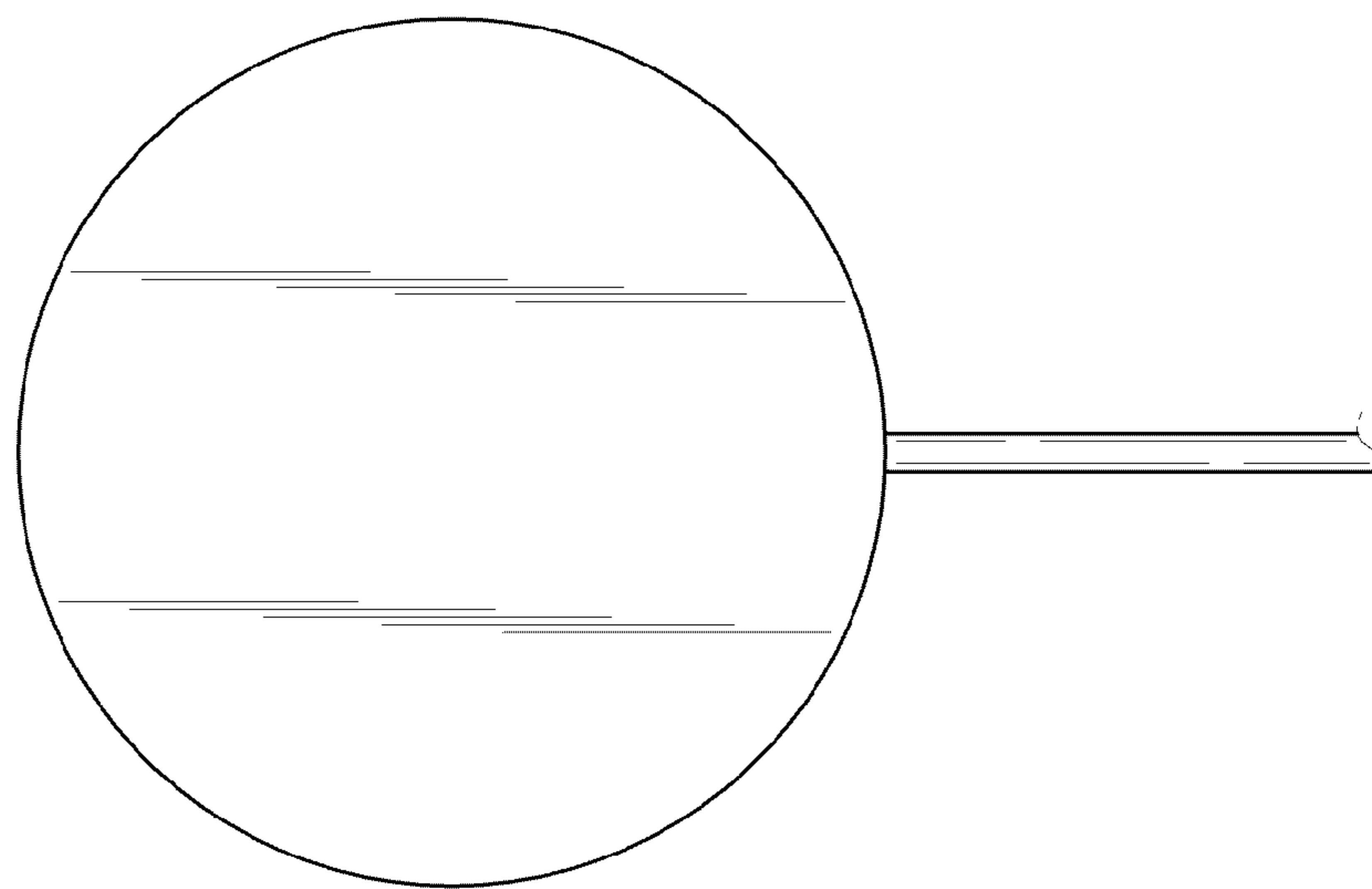


FIG. 7

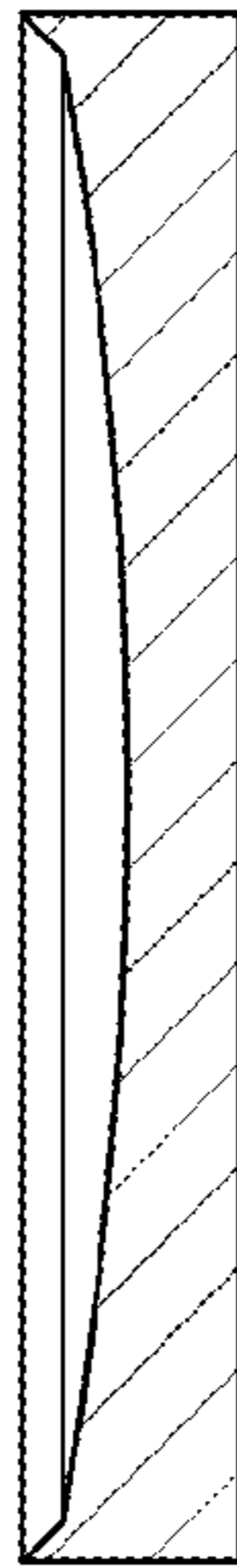


FIG.8