

US00D737760S

(12) **United States Design Patent**
Kyriakoulis et al.

(10) **Patent No.:** **US D737,760 S**
(45) **Date of Patent:** **** Sep. 1, 2015**

(54) **PORTABLE RECHARGER DEVICE**

(71) Applicant: **GO DEVICES LIMITED**, Kowloon,
Hong Kong (HK)

(72) Inventors: **Polydoros Kyriakoulis**, San Francisco,
CA (US); **Aristotelis Barakos**, Athens
(GR); **Mark Brinkerhoff**, San Jose, CA
(US); **Eric Aldenbrook**, Cupertino, CA
(US); **Thomas Geraty**, San Jose, CA
(US)

(73) Assignee: **Go Devices Limited**, Kowloon (HK)

(**) Term: **14 Years**

(21) Appl. No.: **29/502,099**

(22) Filed: **Sep. 11, 2014**

(51) **LOC (10) Cl.** **13-02**

(52) **U.S. Cl.**
USPC **D13/108**

(58) **Field of Classification Search**
USPC D13/107–110, 118–119, 182, 199;
D14/251, 253, 432, 434; 320/107–115
CPC Y02E 60/12; Y02T 90/14; Y02T 90/122;
Y02T 90/128; Y02T 90/163; H02J 7/025;
H02J 7/0042; H02J 7/0044; H02J 7/0045;
H02J 7/0003; H01F 38/14; H01R 13/6675;
H01M 2/1022; H01M 2/1055; H01M 10/44;
H01M 10/46; H01M 10/425; B60L 11/182
See application file for complete search history.

(56) **References Cited**

U.S. PATENT DOCUMENTS

D476,376 S *	6/2003	Wintersteiger	D21/329
D496,048 S *	9/2004	Chen	D14/432
D570,773 S *	6/2008	Lloyd et al.	D13/110
D602,858 S *	10/2009	Ellis et al.	D13/108

D625,262 S *	10/2010	Lee et al.	D13/118
D627,718 S *	11/2010	Houghton	D13/108
D640,976 S *	7/2011	Matsuoka	D13/108
D654,431 S *	2/2012	Stephanchick et al.	D13/108
D659,093 S *	5/2012	Schmid et al.	D13/108
D673,110 S *	12/2012	Sasada et al.	D13/108
D687,772 S *	8/2013	Chikos et al.	D13/108
D697,475 S *	1/2014	Regole	D13/108
D704,634 S *	5/2014	Eidelman et al.	D13/108
D706,212 S *	6/2014	Zwierstra et al.	D13/107
D717,244 S *	11/2014	Reishus et al.	D13/108
D718,233 S *	11/2014	Aumiller et al.	D13/108
D718,236 S *	11/2014	Murray	D13/108
D718,712 S *	12/2014	Aumiller et al.	D13/108
D725,034 S *	3/2015	Chen	D13/108
D727,260 S *	4/2015	Aumiller et al.	D13/108
2009/0134838 A1 *	5/2009	Raghuprasad	320/108
2012/0104999 A1 *	5/2012	Teggatz et al.	320/108
2014/0117926 A1 *	5/2014	Hwu et al.	320/108

* cited by examiner

Primary Examiner — Rosemary K Tarcza

(74) *Attorney, Agent, or Firm* — Barry N. Young

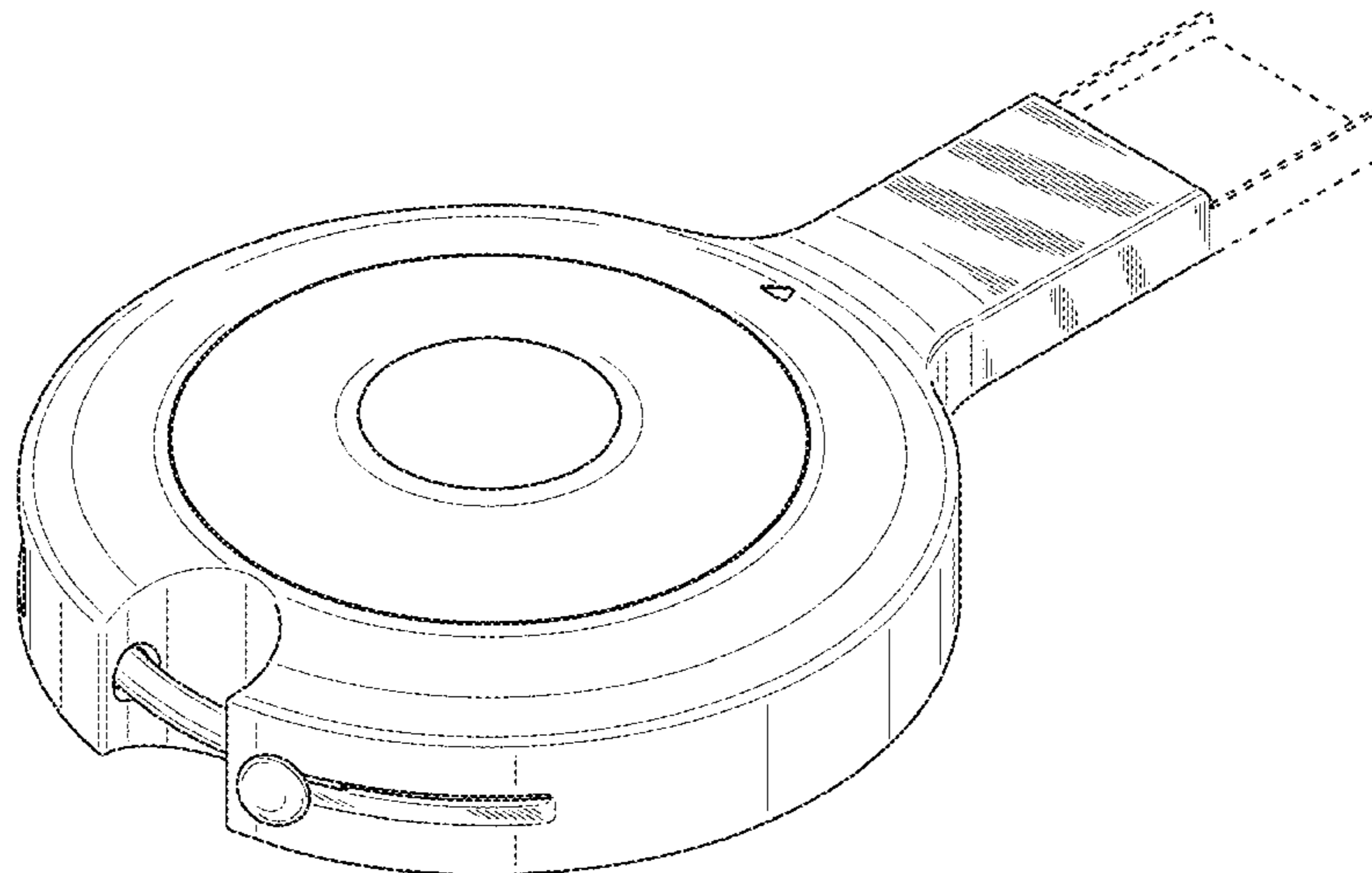
(57) **CLAIM**

The ornamental design for a portable recharger device, as shown and described.

DESCRIPTION

FIG. 1 is a top front left perspective view of a portable recharger device showing the new design; FIG. 2 is a bottom rear right perspective view thereof; FIG. 3 is a front elevation view thereof; FIG. 4 is a right side elevation view thereof; FIG. 5 is a rear elevation view thereof; FIG. 6 is a left side elevation view thereof; FIG. 7 is a top plan view thereof; and, FIG. 8 is a bottom plan view thereof. The broken lines in the Figures show portions of the portable recharger device that form no part of the claimed design.

1 Claim, 6 Drawing Sheets



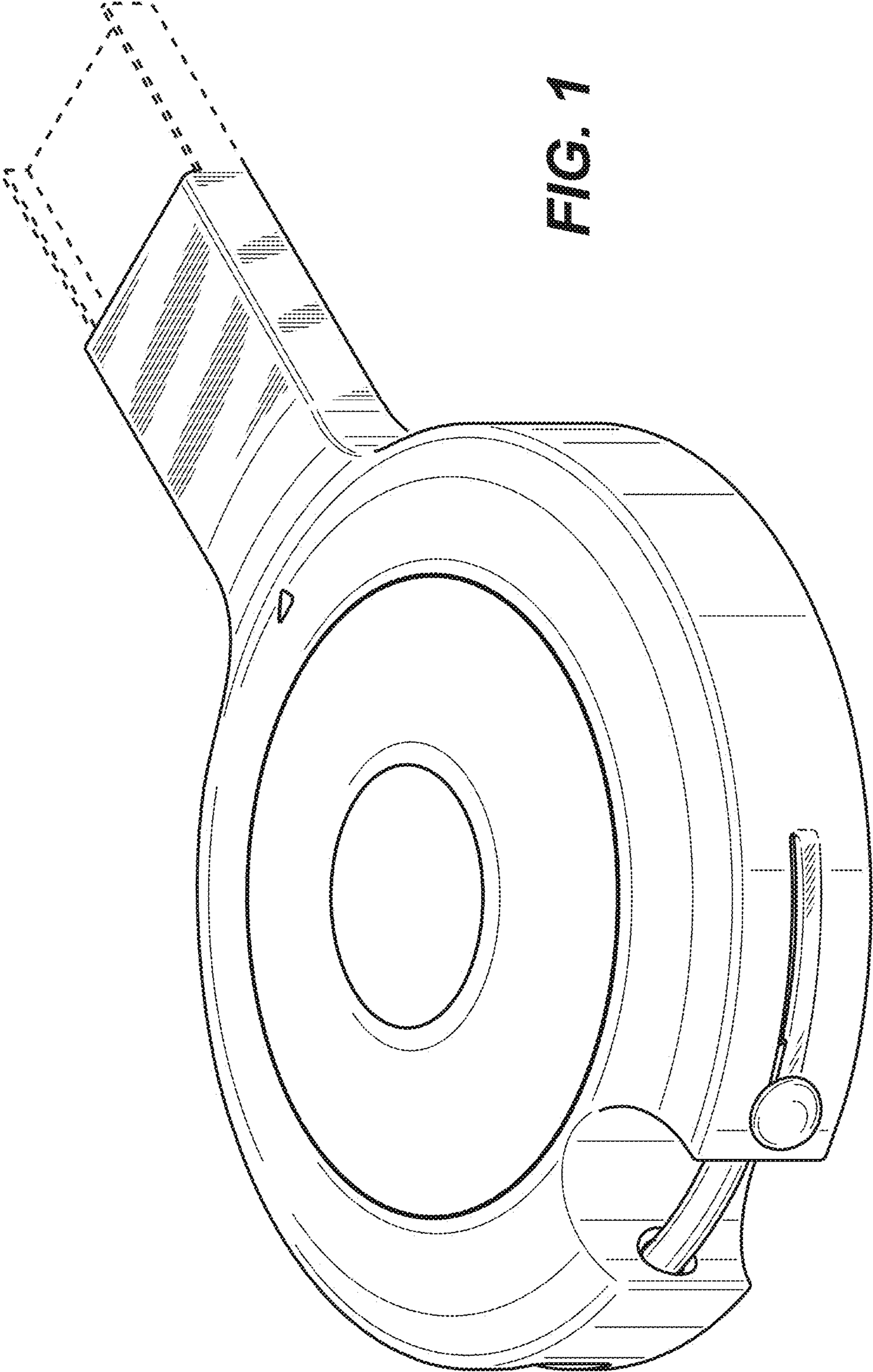


FIG. 1

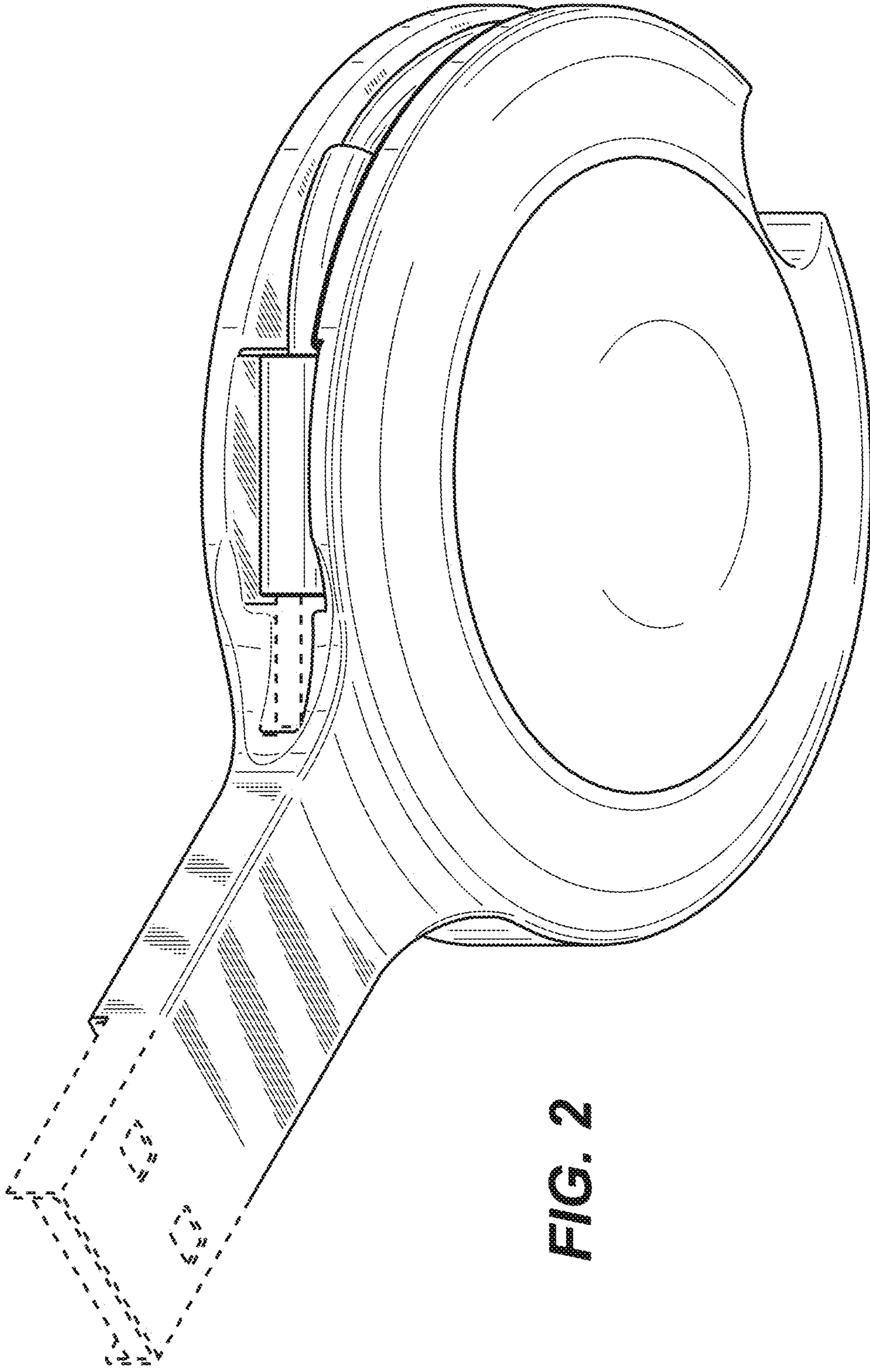
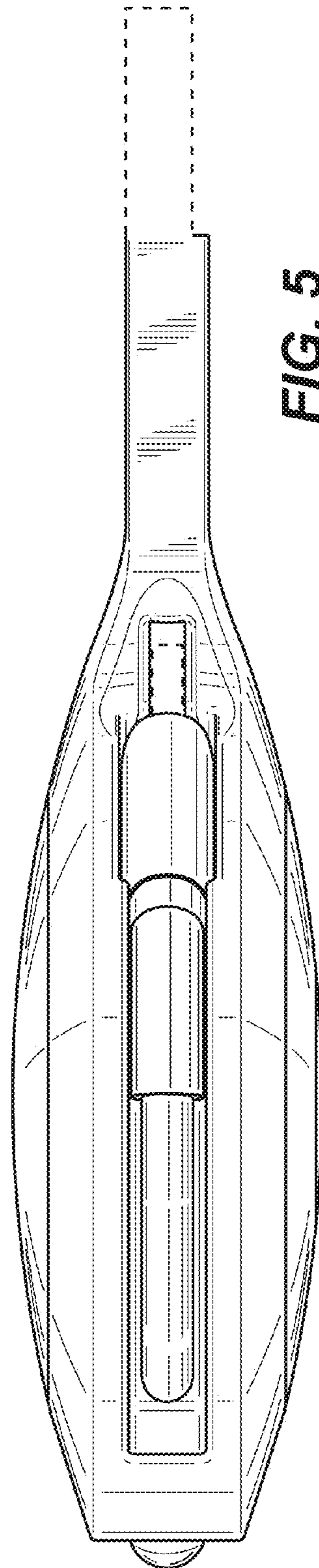
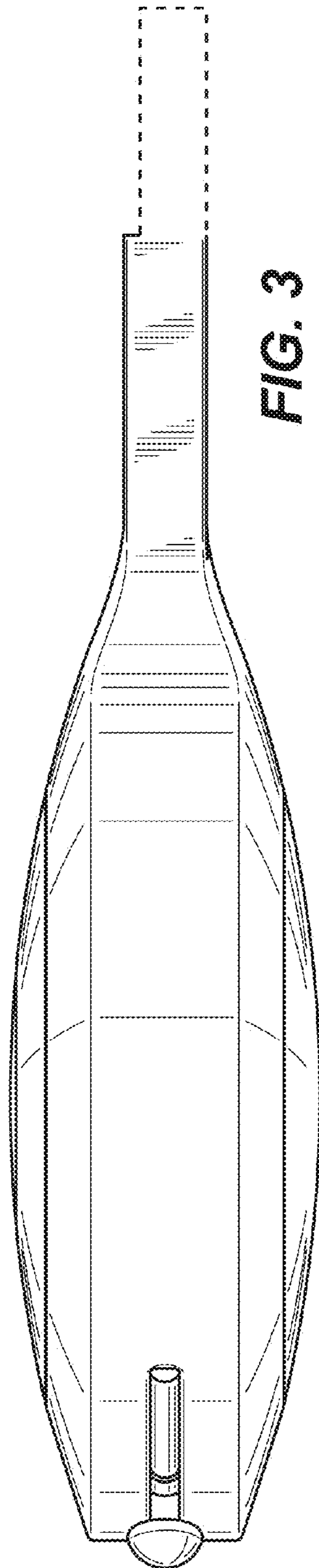


FIG. 2



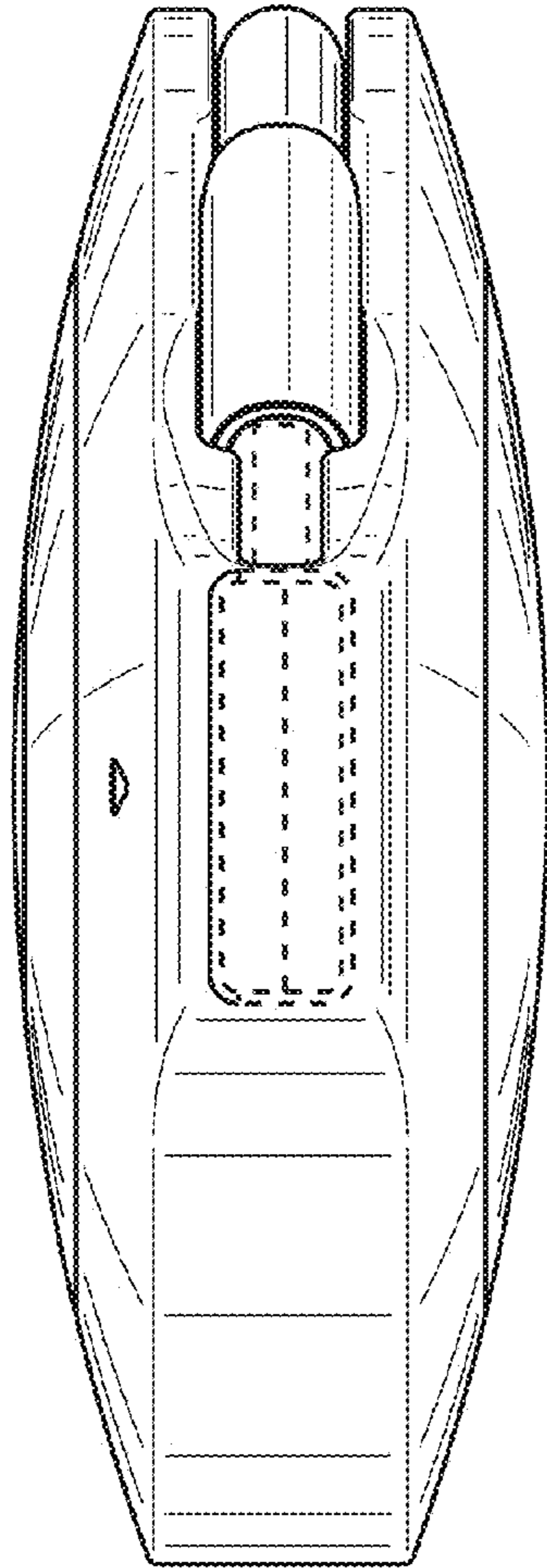


FIG. 4

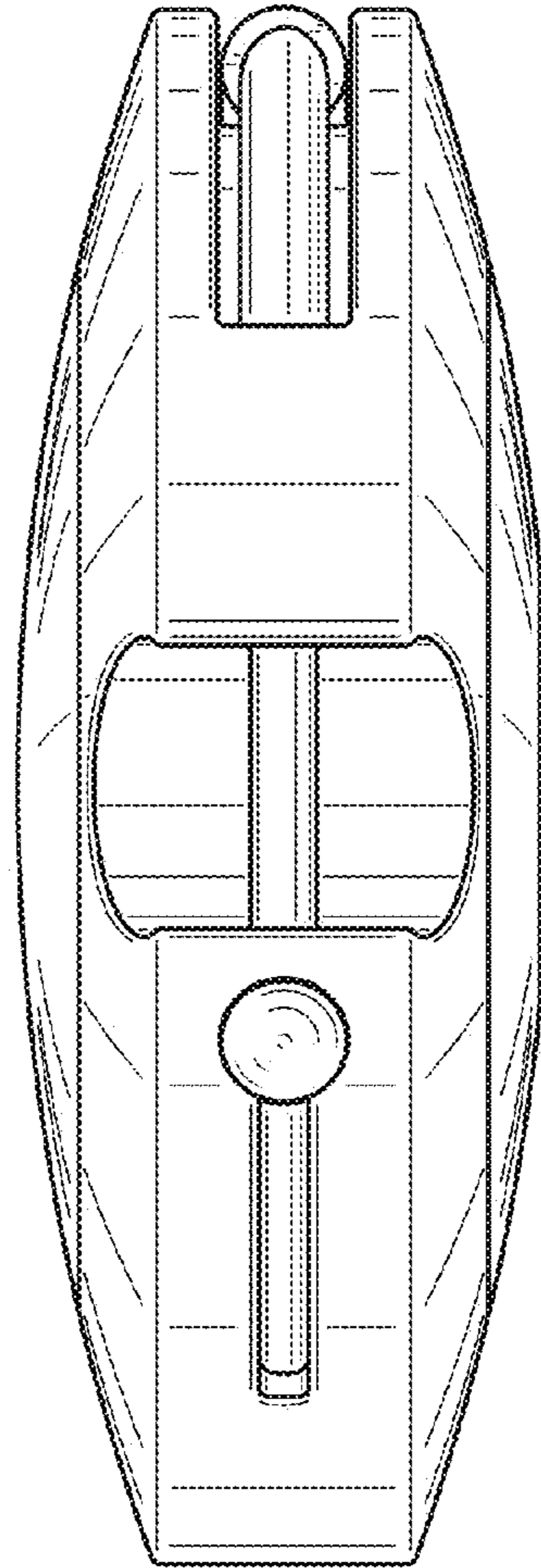


FIG. 6

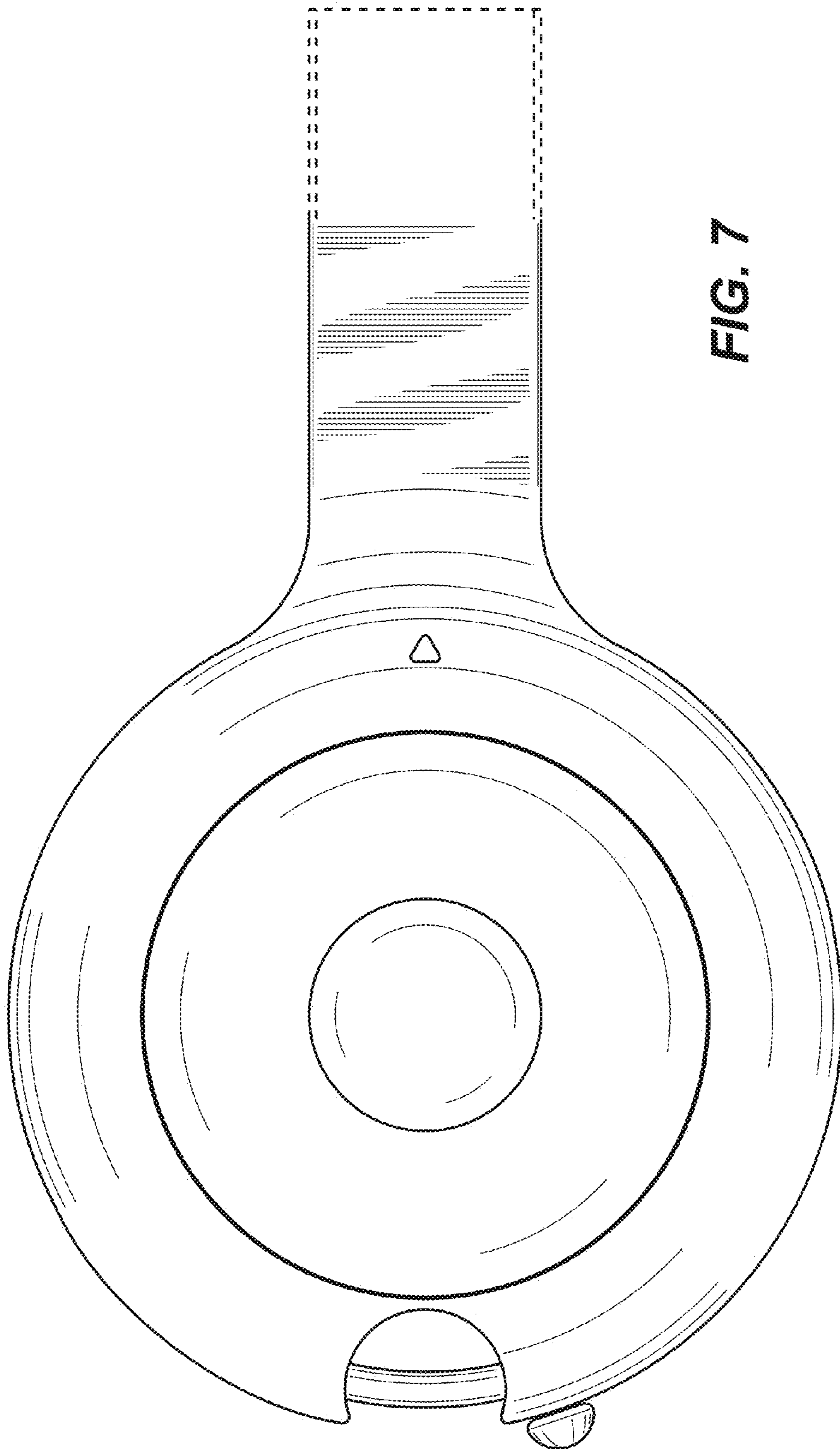


FIG. 7

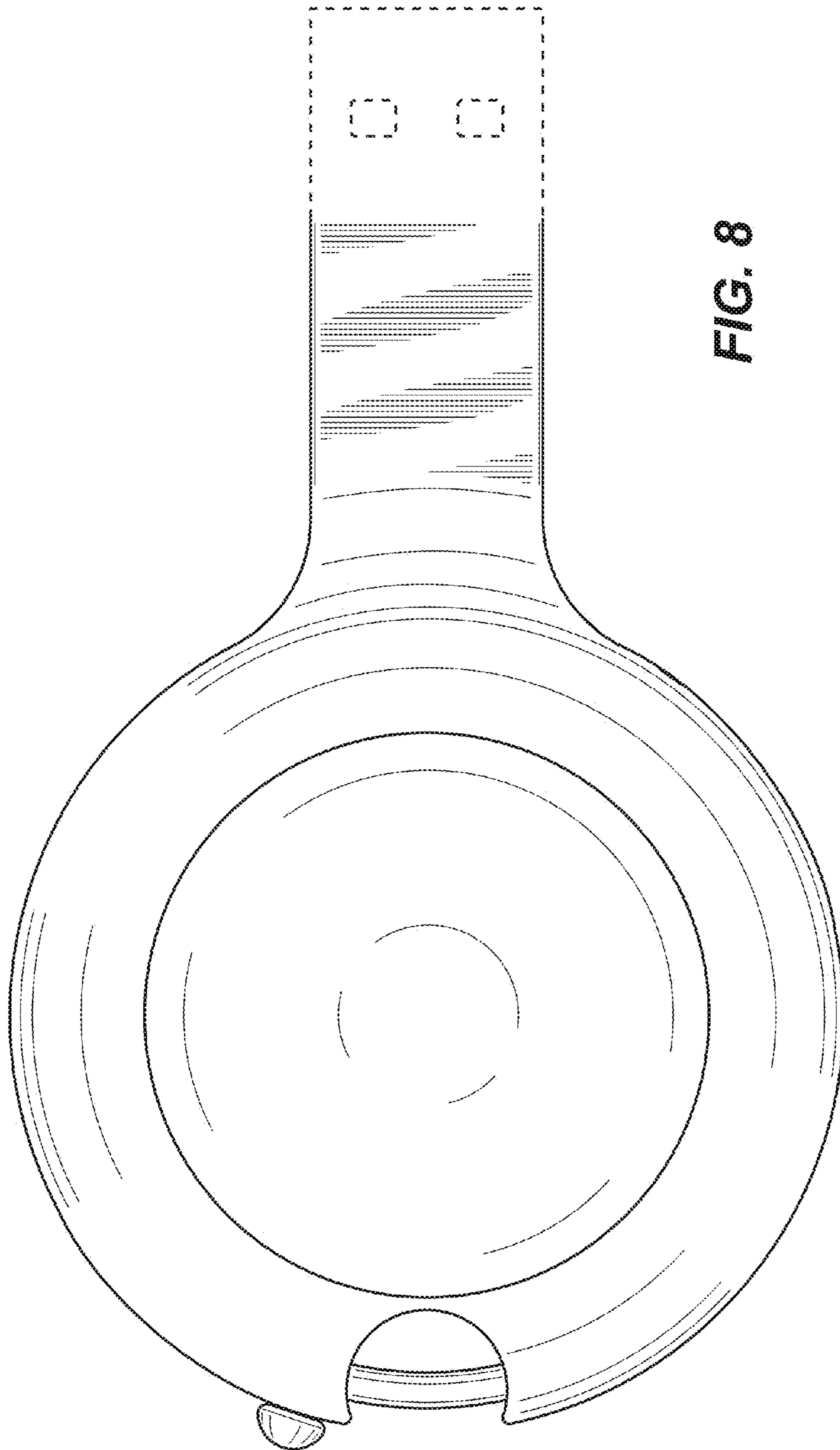


FIG. 8