



US00D737759S

(12) **United States Design Patent**
Liu

(10) **Patent No.:** **US D737,759 S**
(45) **Date of Patent:** **** Sep. 1, 2015**

(54) **CHARGING BASE WITH PORTABLE POWER SUPPLY**

(71) Applicant: **GIGAZONE INTERNATIONAL CO., LTD.**, New Taipei (TW)

(72) Inventor: **Yan Han Liu**, New Taipei (TW)

(73) Assignee: **GIGAZONE INTERNATIONAL CO., LTD.**, New Taipei (TW)

(**) Term: **14 Years**

(21) Appl. No.: **29/457,305**

(22) Filed: **Jun. 9, 2013**

(51) **LOC (10) Cl.** **13-02**

(52) **U.S. Cl.**
USPC **D13/108; D13/103**

(58) **Field of Classification Search**
USPC D13/102-110, 118-119, 182, 199;
D14/251, 253, 432, 434; 320/107-115;
429/96-100, 163, 176
CPC Y02E 60/12; Y02E 60/122; Y02E 60/124;
Y02E 60/50; Y02T 90/14; Y02T 90/122;
Y02T 90/128; Y02T 90/163; H02J 7/025;
H02J 7/0042; H02J 7/0044; H02J 7/0045;
H02J 7/0003; H01F 38/14; H01R 13/6675;
H01M 2/02; H01M 2/022; H01M 2/0202;
H01M 2/0207; H01M 2/0212; H01M 2/1061;
H01M 2/1022; H01M 2/1055; H01M 2/1066;
H01M 2/105; H01M 2/204; H01M 10/44;
H01M 10/46; H01M 10/425; H01M 10/4257;
H01M 10/0436; H01M 10/48; B60L 11/182

See application file for complete search history.

(56) **References Cited**

U.S. PATENT DOCUMENTS

D215,303	S	*	9/1969	Carpenter	D13/108
D327,247	S	*	6/1992	Higuchi et al.	D13/108
D408,352	S	*	4/1999	Tashiro	D13/107
D461,814	S	*	8/2002	Felix et al.	D14/434
D462,657	S	*	9/2002	Kaneko	D13/107
D530,667	S	*	10/2006	Viduya et al.	D13/107
D551,163	S	*	9/2007	Hamasaki	D13/107
D562,230	S	*	2/2008	Houghton	D13/107
D575,786	S	*	8/2008	Solomon et al.	D14/434
D609,637	S	*	2/2010	Chu et al.	D13/108
D631,008	S	*	1/2011	Kuroda et al.	D13/108
D639,810	S	*	6/2011	Hwang et al.	D14/434
D680,066	S	*	4/2013	Kinoshita et al.	D13/107
D689,231	S	*	9/2013	Crawford et al.	D26/51
D690,647	S	*	10/2013	Huang et al.	D13/108
D697,865	S	*	1/2014	Saito et al.	D13/103
2007/0244471	A1	*	10/2007	Malackowski	606/1
2011/0084657	A1	*	4/2011	Toya et al.	320/108
2011/0127959	A1	*	6/2011	McGary et al.	320/114

* cited by examiner

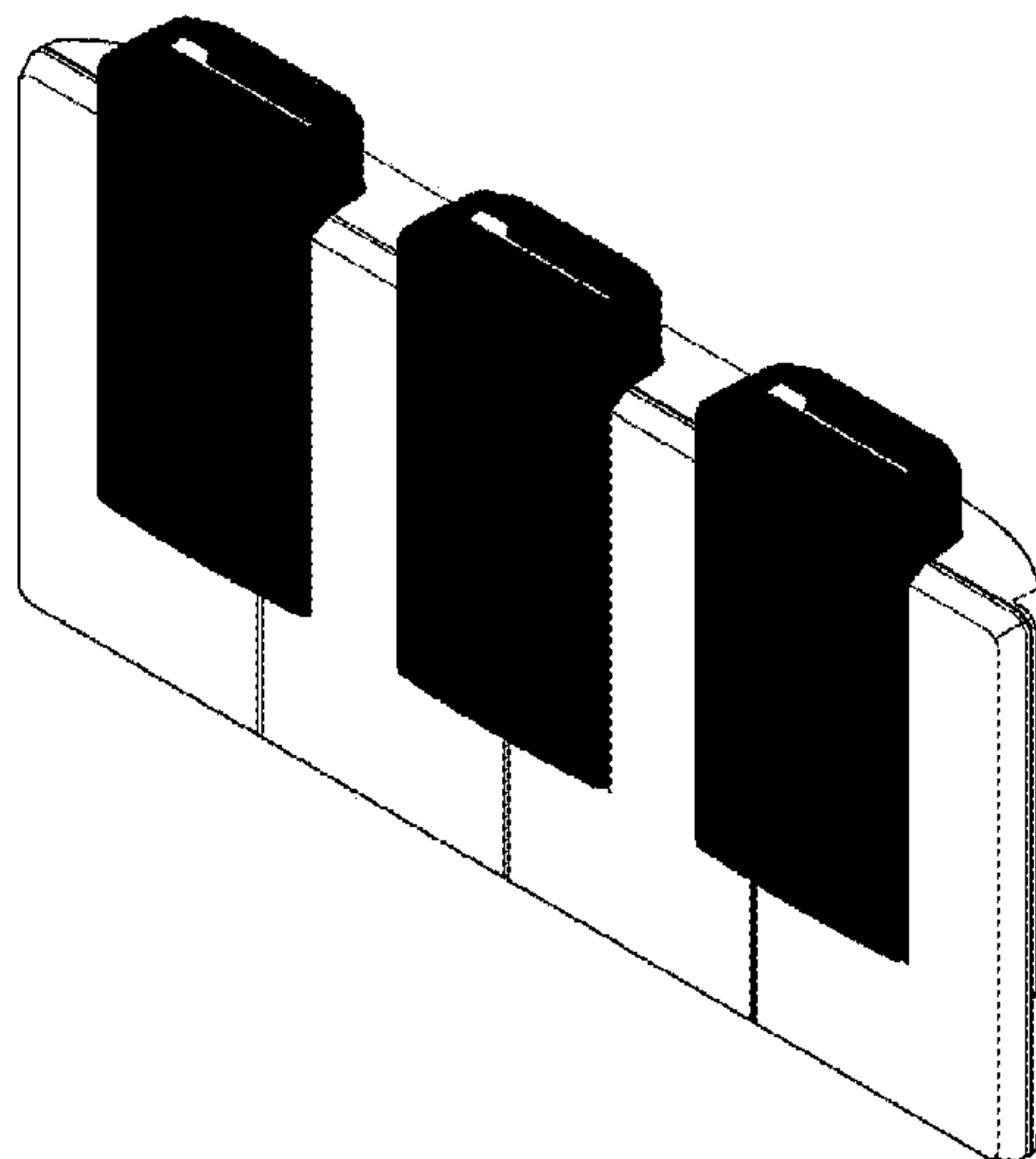
Primary Examiner — Rosemary K Tarcza
(74) *Attorney, Agent, or Firm* — Chun-Ming Shih

(57) **CLAIM**
The ornamental design for a charging base with portable power supply, as shown and described.

DESCRIPTION

FIG. 1 is a perspective view of the front, top and right side of a charging base with portable power supply showing our new design;
FIG. 2 is a front view thereof;
FIG. 3 is a rear view thereof;
FIG. 4 is a left side view thereof;
FIG. 5 is a right side view thereof;
FIG. 6 is a top view thereof;
FIG. 7 is a bottom view thereof; and,
FIG. 8 is a perspective view thereof shown in a used condition.

1 Claim, 8 Drawing Sheets



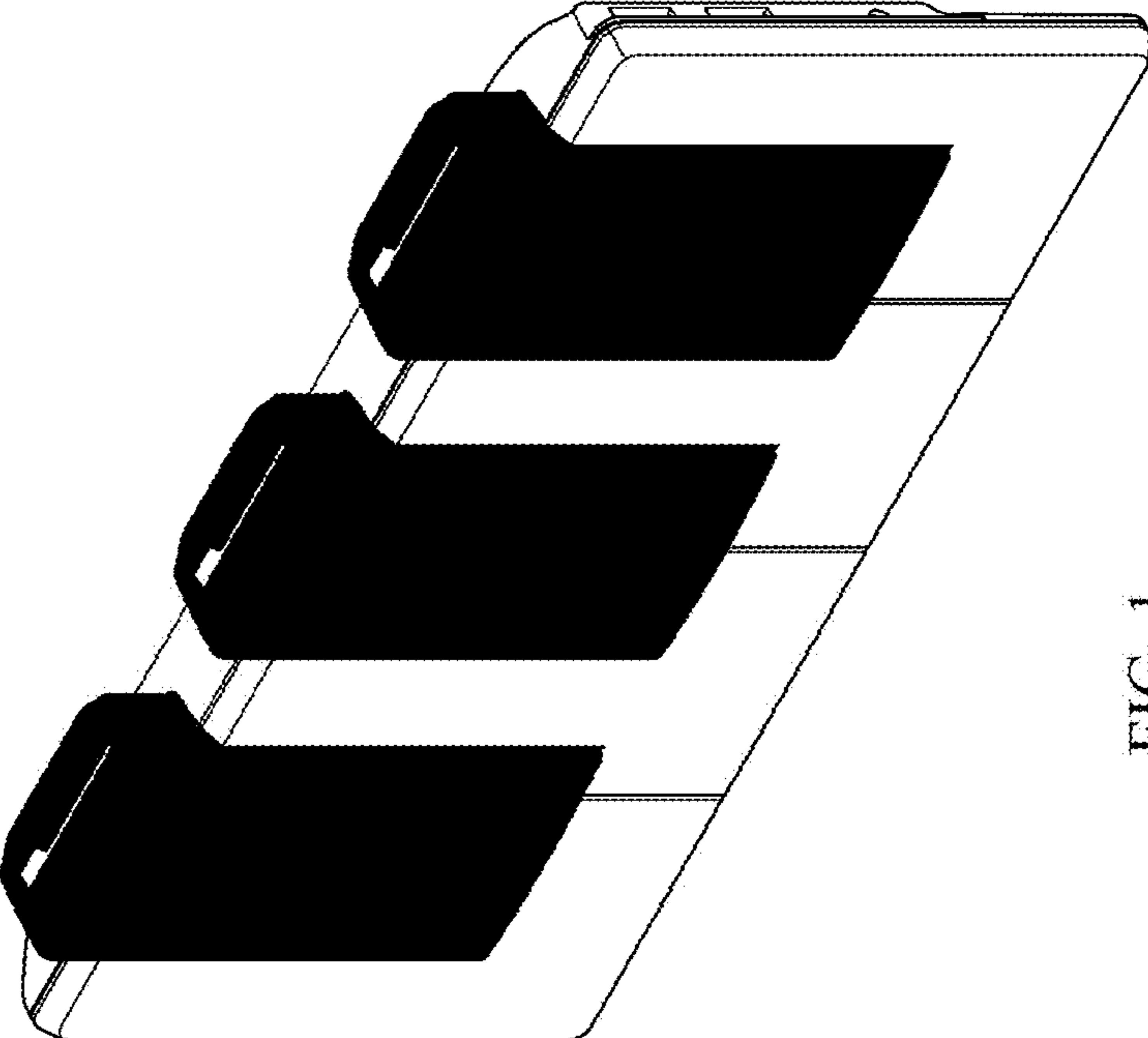


FIG. 1

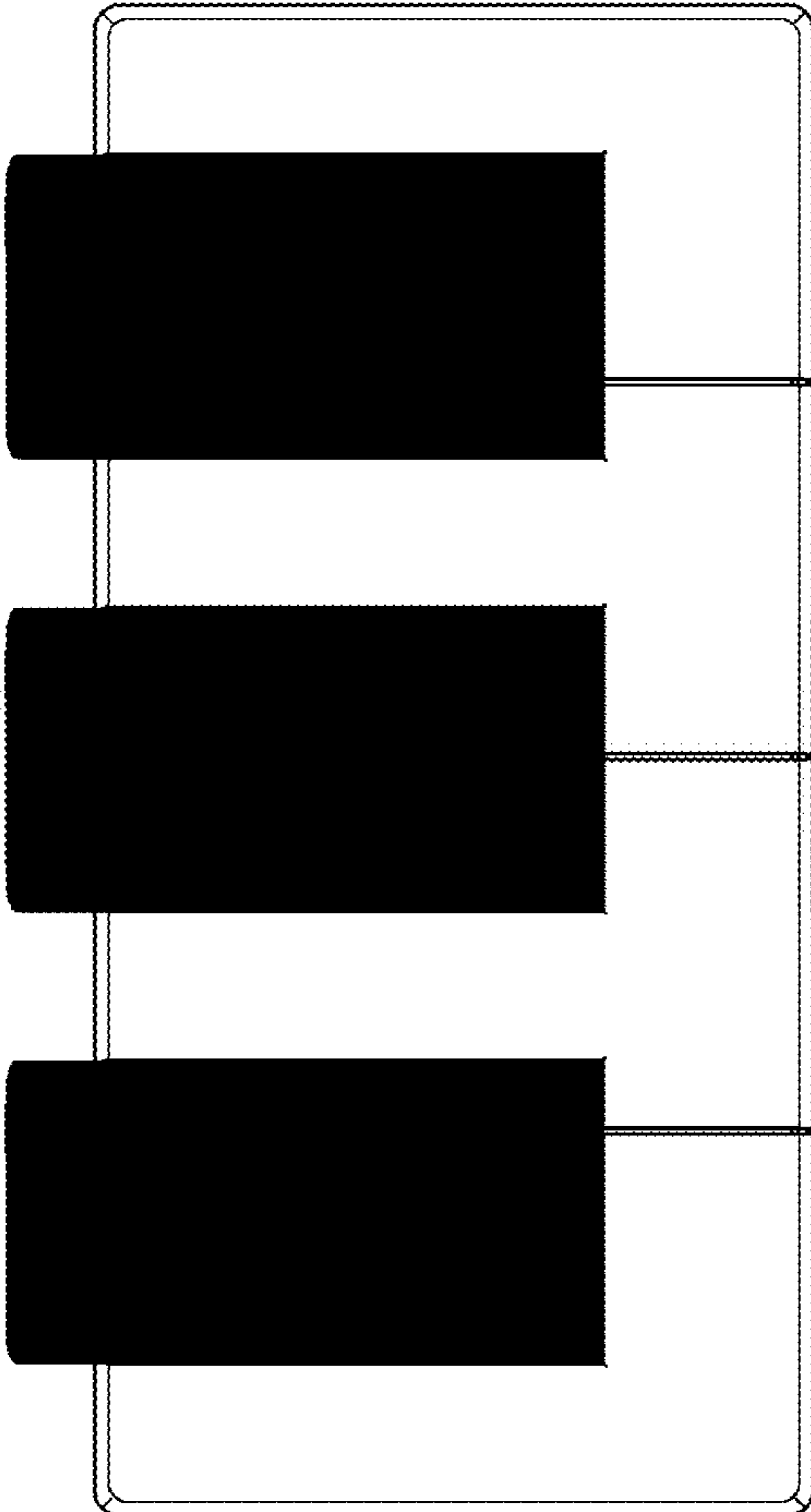


FIG. 2

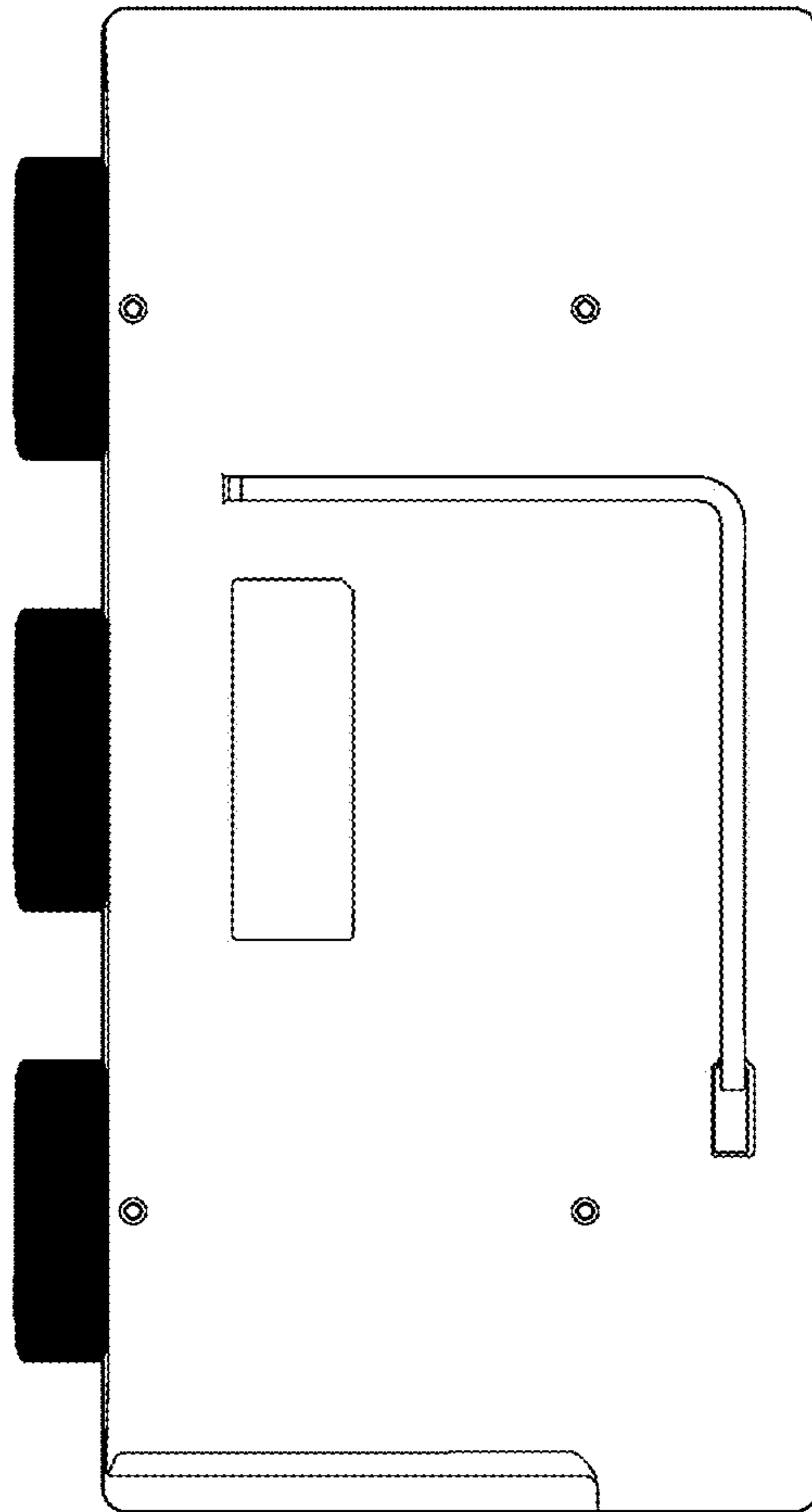


FIG. 3



FIG. 4

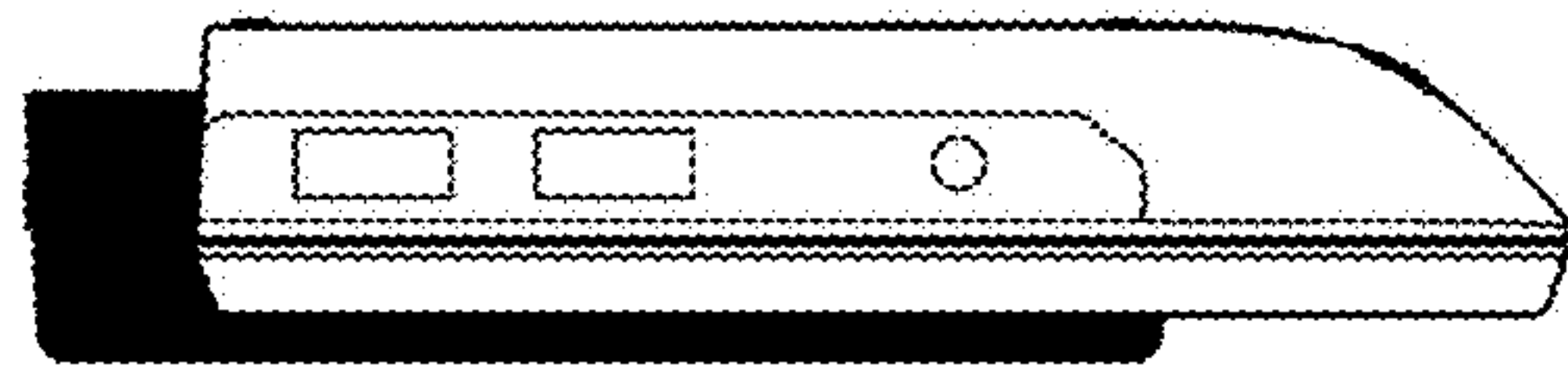


FIG. 5



FIG. 6

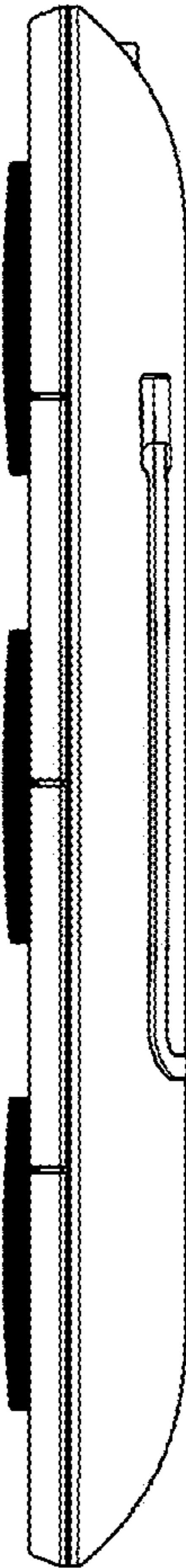


FIG. 7

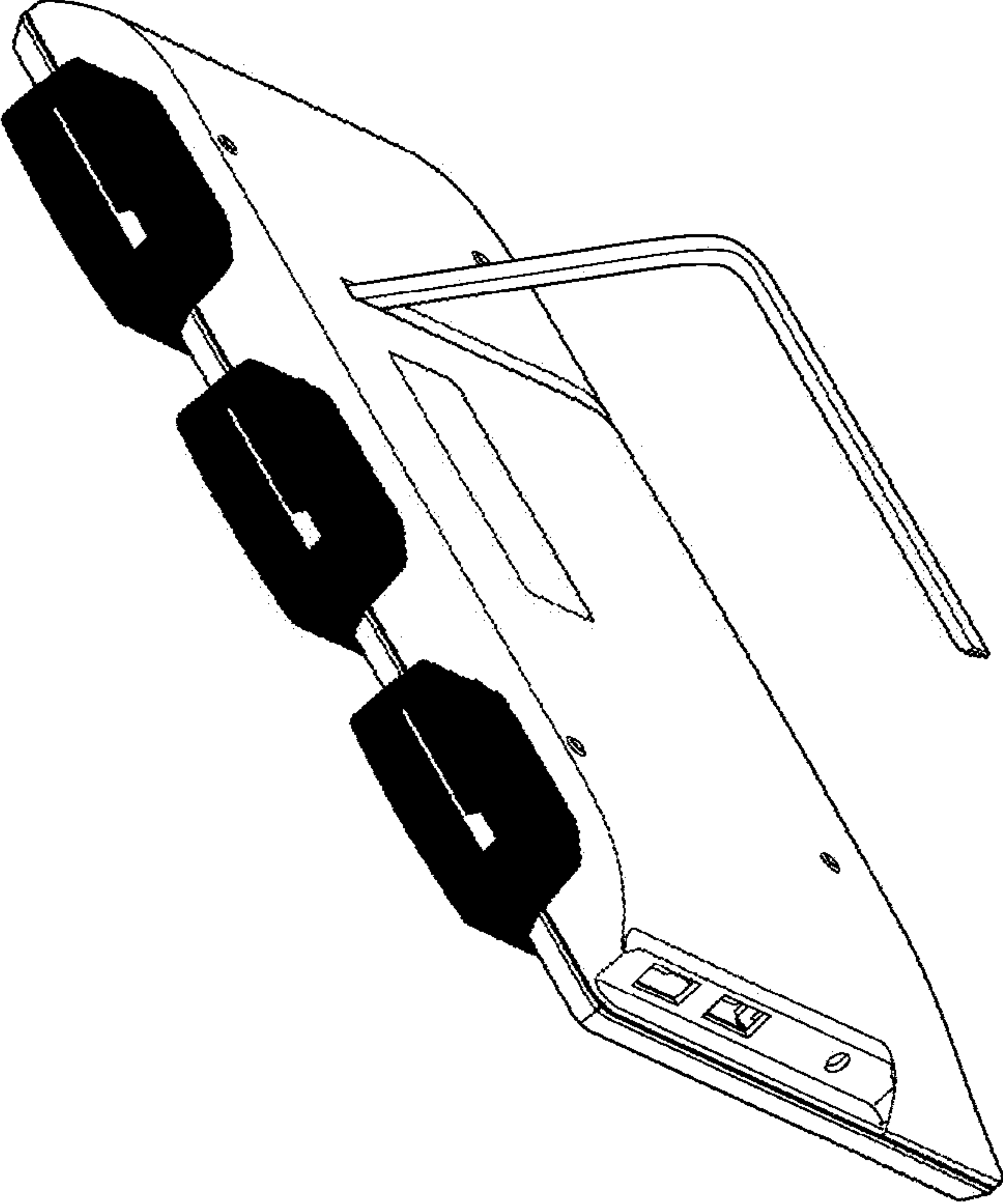


FIG. 8