



US00D737758S

(12) **United States Design Patent**
Takeshita et al.

(10) **Patent No.:** **US D737,758 S**
(45) **Date of Patent:** **** Sep. 1, 2015**

(54) **BATTERY**

(71) Applicant: **SONY CORPORATION**, Tokyo (JP)

(72) Inventors: **Toshio Takeshita**, Tokyo (JP); **Yoichi Miyajima**, Tokyo (JP); **Atsushi Takahashi**, Tokyo (JP); **Hiroaki Sato**, Tokyo (JP)

(73) Assignee: **SONY CORPORATION**, Tokyo (JP)

(**) Term: **14 Years**

(21) Appl. No.: **29/461,895**

(22) Filed: **Jul. 29, 2013**

Related U.S. Application Data

(60) Continuation of application No. 29/365,926, filed on Jul. 16, 2010, now Pat. No. Des. 688,198, which is a continuation of application No. 29/340,569, filed on Jul. 21, 2009, now Pat. No. Des. 619,959, which is a division of application No. 29/254,895, filed on Mar. 2, 2006, now Pat. No. Des. 608,276.

Foreign Application Priority Data

(30) Sep. 2, 2005 (JP) 2005-025527
Sep. 2, 2005 (JP) 2005-025528
Sep. 30, 2005 (CN) 2005 3 0129131
Sep. 30, 2005 (CN) 2005 3 0129138

(51) **LOC (10) Cl.** **13-02**

(52) **U.S. Cl.**
USPC **D13/103**

(58) **Field of Classification Search**
USPC D13/102-106, 110, 118-121, 184, 199;
429/94, 96-100, 152-153, 162-163,
429/176

See application file for complete search history.

(56) **References Cited**

U.S. PATENT DOCUMENTS

D243,615 S * 3/1977 Kaye D13/103
D243,616 S * 3/1977 Kaye D13/103
D243,617 S * 3/1977 Kaye D13/103
D243,618 S * 3/1977 Kaye D13/103
D250,528 S * 12/1978 Kaye D13/103
D250,529 S * 12/1978 Kaye D13/103
D250,530 S * 12/1978 Kaye D13/103
D303,524 S 9/1989 Siegner et al.

(Continued)

FOREIGN PATENT DOCUMENTS

JP D1163314 11/2002

OTHER PUBLICATIONS

U.S. Appl. No. 29/254,889, filed Mar. 2, 2006, Takeshita, et al.

Primary Examiner — Rosemary K Tarca

(74) *Attorney, Agent, or Firm* — Oblon, McClelland, Maier & Neustadt, L.L.P.

(57) **CLAIM**

The ornamental design for a battery, as shown and described.

DESCRIPTION

FIG. 1 is a top and right front perspective view of a battery, showing our design;

FIG. 2 is a front elevational view of the battery;

FIG. 3 is a rear elevational view of the battery;

FIG. 4 is a left side elevational view of the battery;

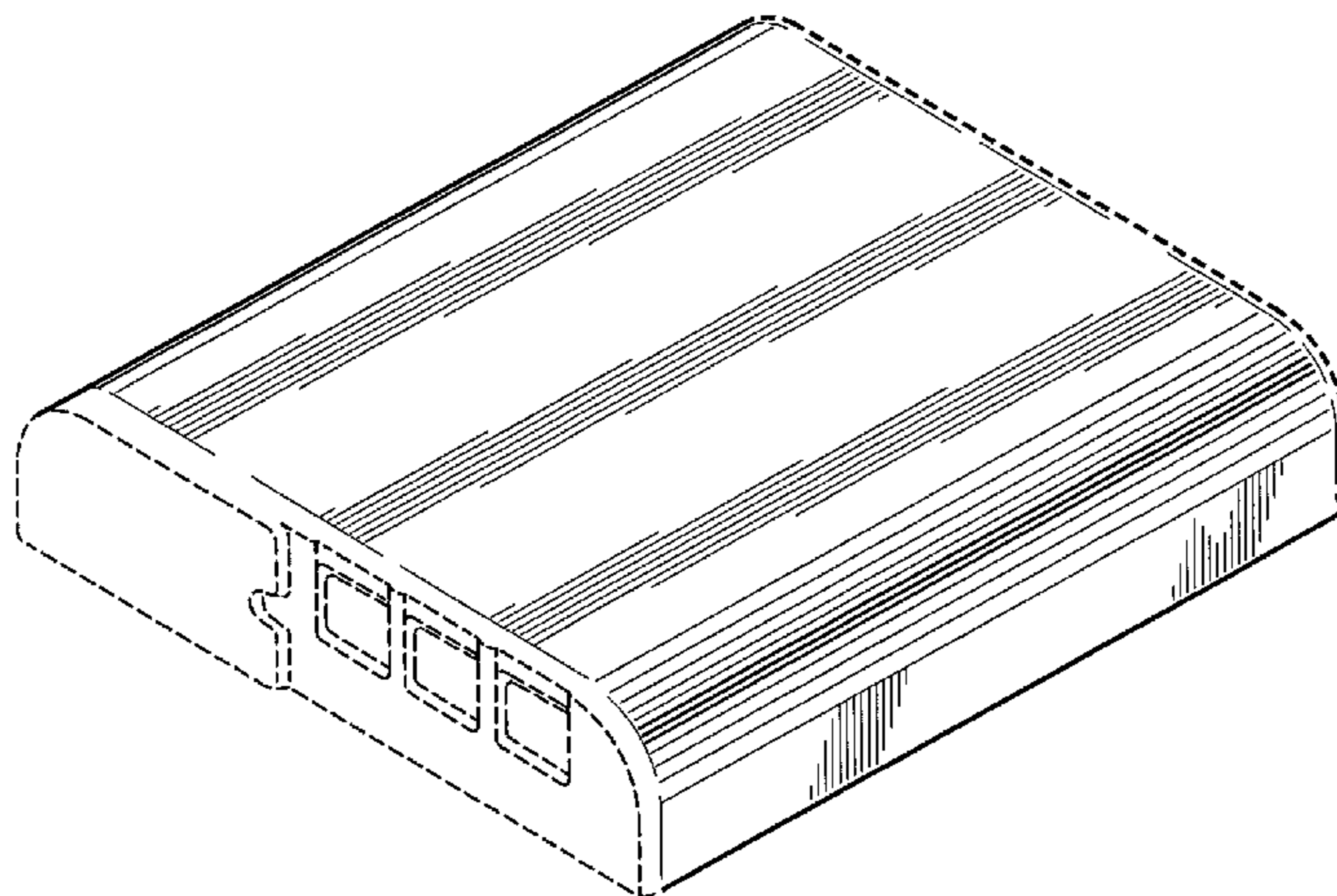
FIG. 5 is a right side elevational view of the battery;

FIG. 6 is a top plan view of the battery, rotated ninety degrees clockwise; and,

FIG. 7 is a bottom plan view of the battery, rotated ninety degrees counterclockwise.

The phantom lines shown in the figures are included for the purpose of illustrating environmental structure and form no part of the claimed design.

1 Claim, 3 Drawing Sheets



(56)

References Cited

U.S. PATENT DOCUMENTS

D347,822 S *	6/1994	Tong	D13/103	D515,499 S	2/2006	Matsuda et al.	
D362,424 S	9/1995	Sumita et al.			D516,018 S	2/2006	Ohsako et al.	
D383,725 S	9/1997	Settsu			D516,019 S	2/2006	Ohsako et al.	
D387,727 S *	12/1997	Settsu et al.	D13/103	D516,503 S	3/2006	Takeshita et al.	
D403,656 S	1/1999	Ichikawa			D521,447 S	5/2006	Ono et al.	
D409,136 S *	5/1999	Sumita et al.	D13/103	D522,451 S	6/2006	Hayes et al.	
D417,188 S *	11/1999	Maeyama	D13/103	D529,437 S	10/2006	Miyashita	
D428,384 S *	7/2000	Maeyama	D13/103	D556,680 S	12/2007	Matsumoto	
D432,982 S *	10/2000	Miyashita	D13/103	D580,852 S	11/2008	Heinzen et al.	
D439,877 S	4/2001	Vacheron et al.			D586,742 S	2/2009	Song	
D447,111 S *	8/2001	Heong et al.	D13/103	D588,058 S	3/2009	Obata	
D447,112 S *	8/2001	Heong et al.	D13/103	D590,334 S	4/2009	Tatehata et al.	
D447,461 S *	9/2001	Heong et al.	D13/103	D590,337 S	4/2009	Tatehata et al.	
D473,186 S *	4/2003	Grosfeld et al.	D13/103	D590,769 S	4/2009	Tatehata et al.	
D474,149 S *	5/2003	Kawahata et al.	D13/103	D592,130 S	5/2009	Tatehata et al.	
D476,948 S *	7/2003	Mitchell	D13/103	D593,940 S *	6/2009	Nomi et al. D13/103
D486,789 S *	2/2004	Santiago	D13/119	D594,402 S	6/2009	Inoue et al.	
D503,673 S	4/2005	Rosengrant			D597,483 S	8/2009	Wahl et al.	
D503,922 S	4/2005	Shimizu			D601,494 S	10/2009	Otani et al.	
D506,065 S	6/2005	Sugino et al.			D608,276 S	1/2010	Takeshita et al.	
D509,182 S	9/2005	Takeshita et al.			D616,397 S	5/2010	Tai	
D512,018 S	11/2005	Matsuda et al.			D618,171 S	6/2010	Tatehata et al.	
					D619,959 S	7/2010	Takeshita et al.	
					D686,981 S *	7/2013	Koyabu et al. D13/103
					D688,198 S *	8/2013	Takeshita et al. D13/103

* cited by examiner

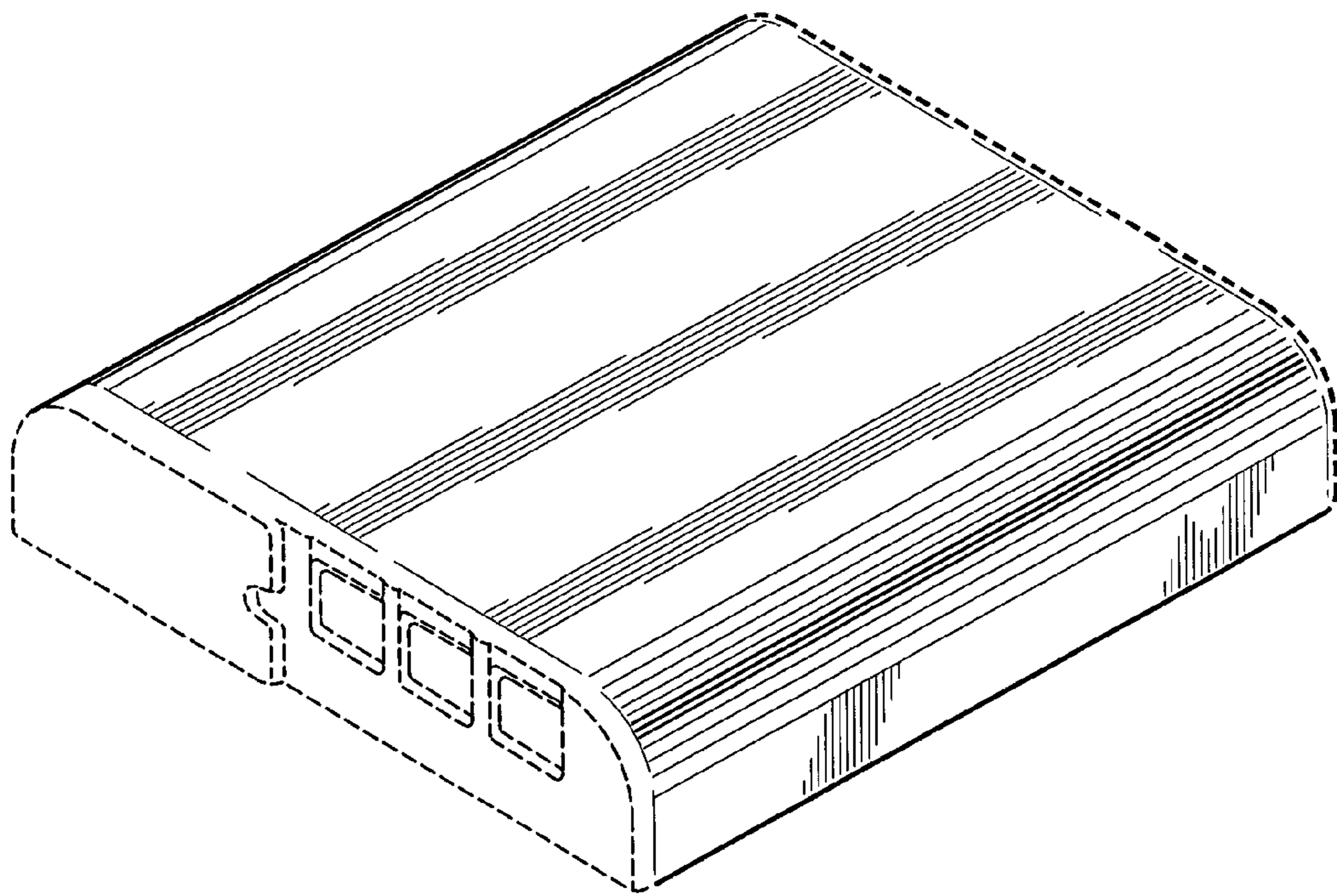


Fig. 1

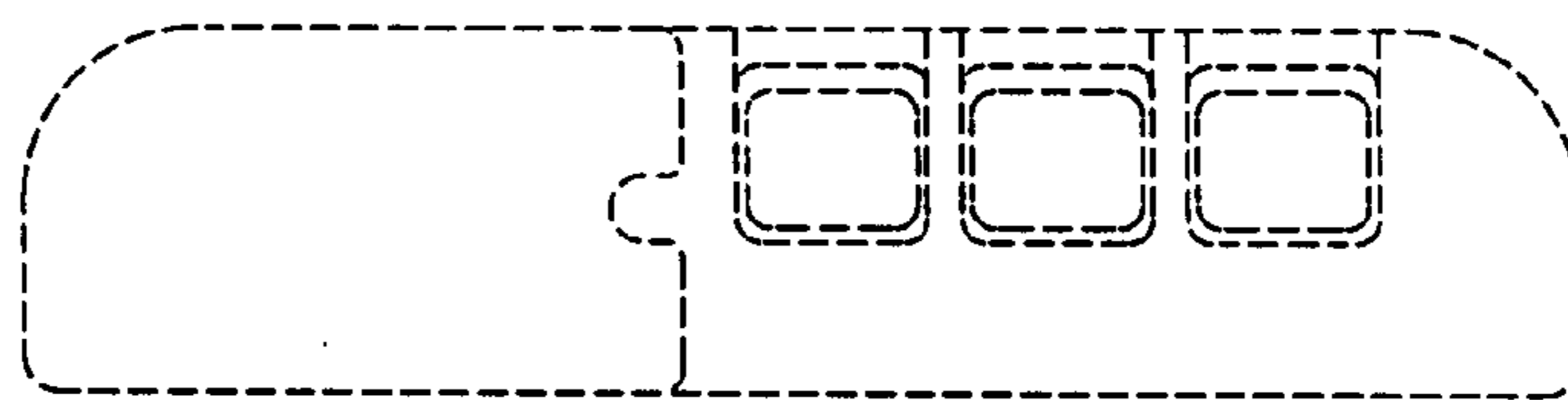


Fig. 2



Fig. 3

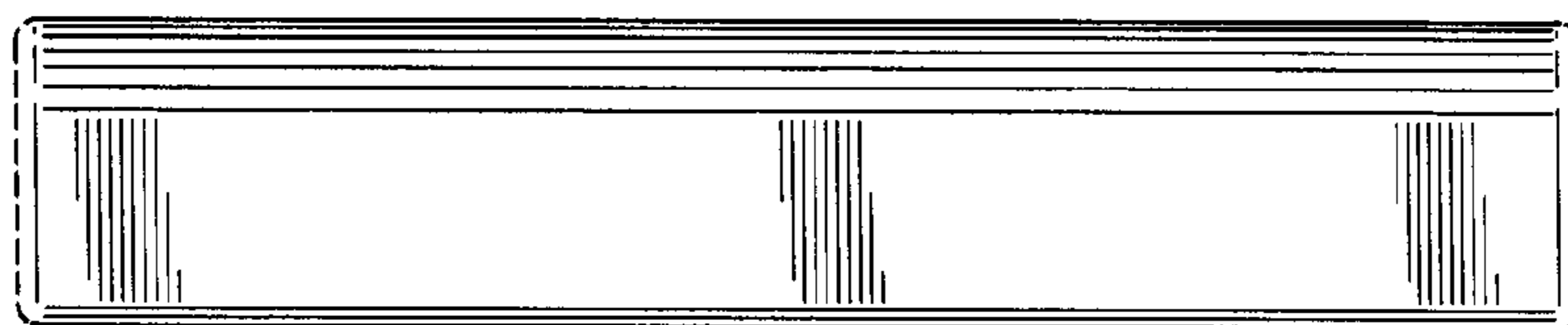


Fig. 4

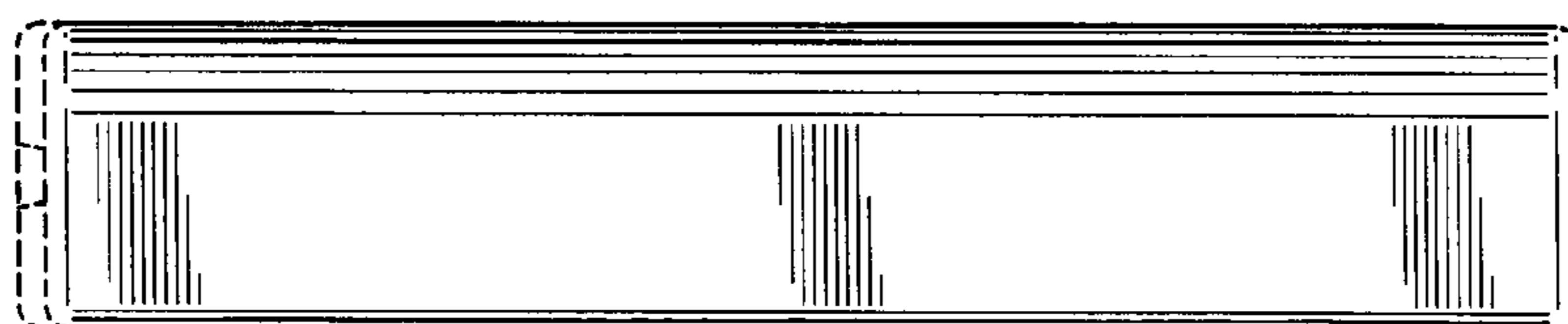


Fig. 5

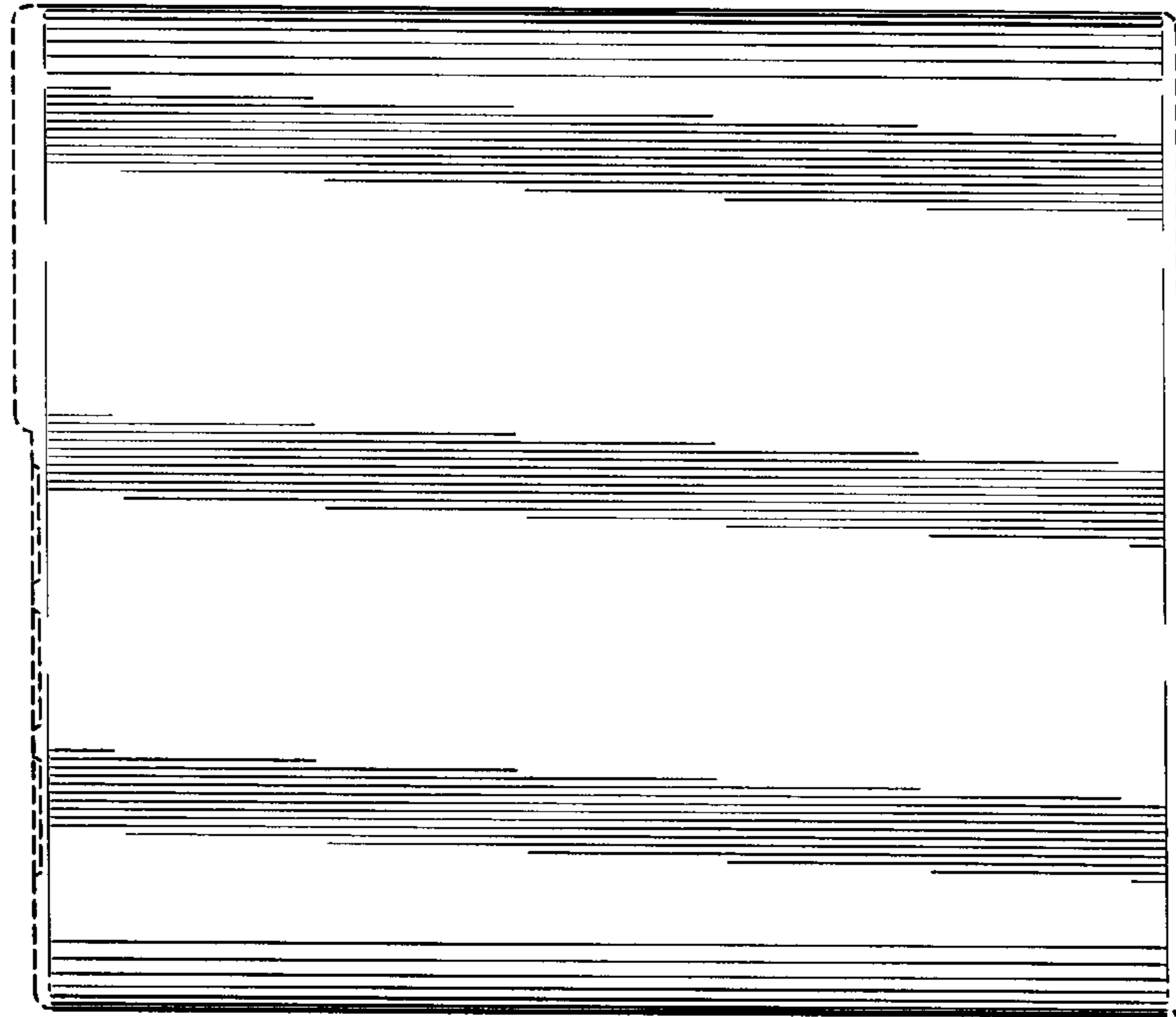


Fig. 6



Fig. 7

UNITED STATES PATENT AND TRADEMARK OFFICE
CERTIFICATE OF CORRECTION

PATENT NO. : D737,758 S
APPLICATION NO. : 29/461895
DATED : September 1, 2015
INVENTOR(S) : Toshio Takeshita et al.

Page 1 of 1

It is certified that error appears in the above-identified patent and that said Letters Patent is hereby corrected as shown below:

On the title page, Item (60), the Related U.S. Application Data Information is incorrect. Item (60) should read:

Related U.S. Application Data

--(60) Continuation of application No. 29/365,962, filed on
Jul. 16, 2010, Now Pat. No. D688,198, which is a continuation
of application No. 29/340,569, filed on Jul. 21, 2009, now
Pat. No. D619,959, which is a division of application No. 29/254,895,
filed on Mar. 2, 2006, now Pat. No. D608,276--

Signed and Sealed this
Twenty-sixth Day of January, 2016



Michelle K. Lee
Director of the United States Patent and Trademark Office