



US00D737750S

(12) **United States Design Patent**
Garrett

(10) **Patent No.:** **US D737,750 S**
(45) **Date of Patent:** **** Sep. 1, 2015**

(54) **FOLDING TABLE**

(71) Applicant: **Kendall Garrett**, Glen Rose, TX (US)

(72) Inventor: **Kendall Garrett**, Glen Rose, TX (US)

(**) Term: **14 Years**

(21) Appl. No.: **29/463,536**

(22) Filed: **Dec. 26, 2013**

(51) **LOC (10) Cl.** **12-16**

(52) **U.S. Cl.**
USPC **D12/426.1**

(58) **Field of Classification Search**
USPC D12/426.1, 425, 400, 406, 415-420,
D12/424, 426; 108/25, 42-43, 150;
220/575, 679, 632, 670, 339, 574;
312/283; 211/11, 126; 297/173
See application file for complete search history.

(56) **References Cited**

U.S. PATENT DOCUMENTS

- D319,357 S * 8/1991 Horne D12/426.1
- D335,226 S * 5/1993 Horne D12/426.1
- D338,358 S * 8/1993 Schroeder et al. D6/480
- D356,902 S * 4/1995 Crowell D12/426.1
- D360,318 S * 7/1995 Kinnard et al. D12/426.1

- D360,869 S * 8/1995 Brackett D12/426.1
- D365,219 S * 12/1995 Tange D12/426.1
- D431,019 S * 9/2000 Richter D12/426.1
- D514,057 S * 1/2006 Borunda et al. D12/426.1

* cited by examiner

Primary Examiner — Katrina A Betton

(74) *Attorney, Agent, or Firm* — Paul R. Martin

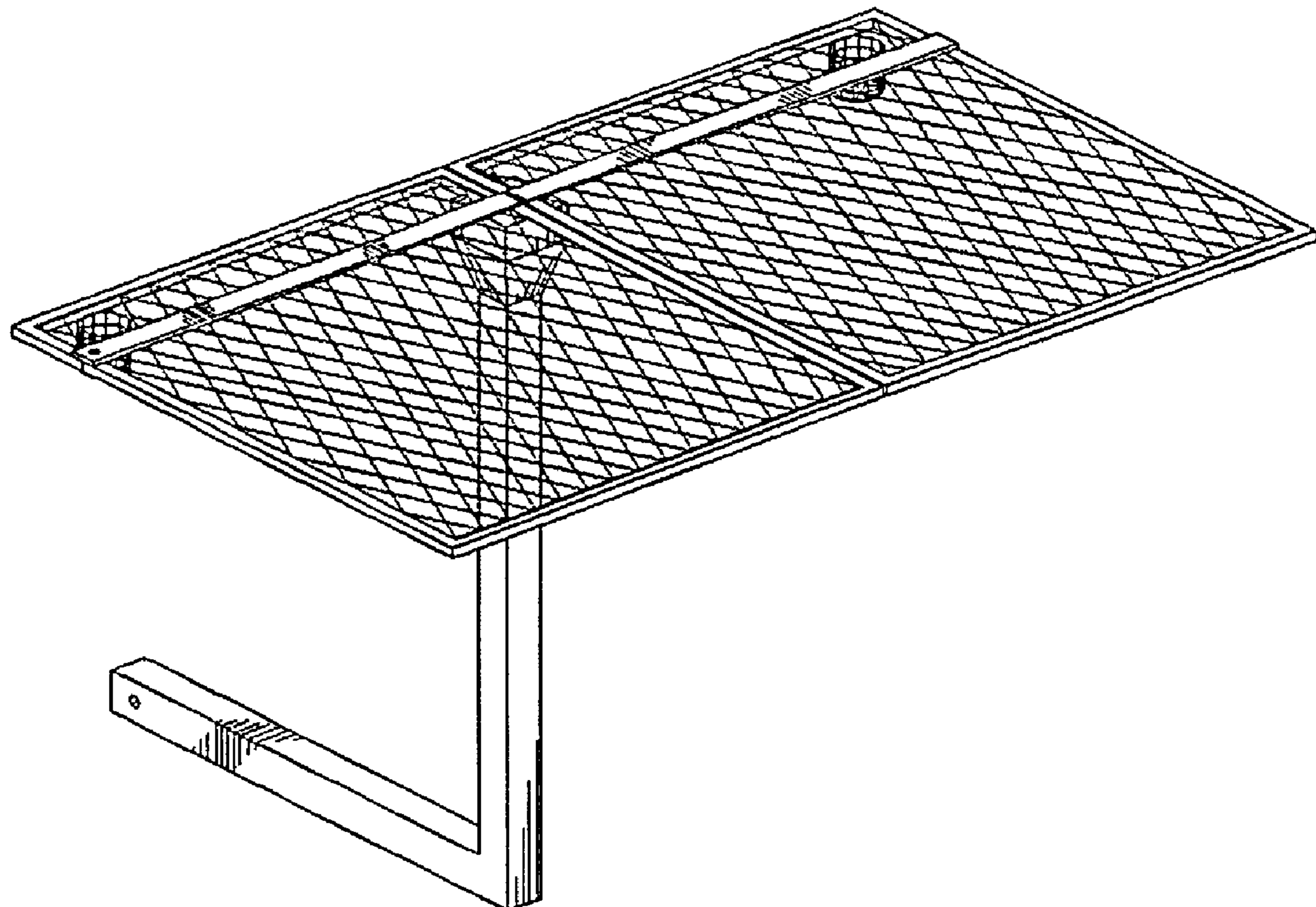
(57) **CLAIM**

The ornamental design for a folding table, as shown and described.

DESCRIPTION

FIG. 1 is a perspective view of the folding table of my new design with the leaves in an open configuration.
 FIG. 2 is a perspective view of the folding table of my new design with the leaves in a partially folded configuration.
 FIG. 3 is a top plan view of the folding table of my new design as shown in FIG. 1.
 FIG. 4 is a bottom plan view thereof.
 FIG. 5 is a front elevational view thereof.
 FIG. 6 is a rear elevational view thereof.
 FIG. 7 is a side elevational view thereof; and,
 FIG. 8 is the opposite side elevational view thereof.

1 Claim, 4 Drawing Sheets



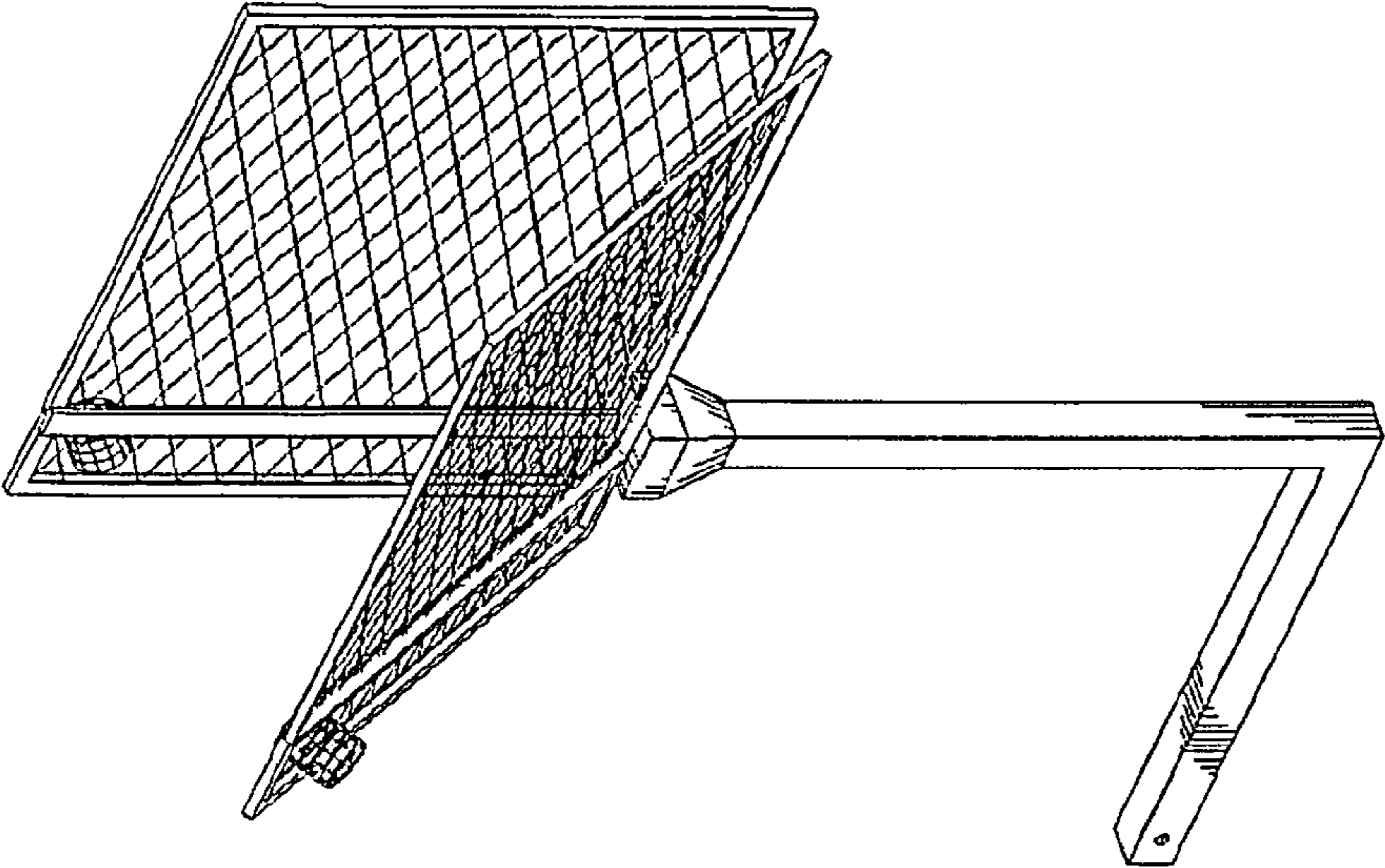


FIG. 1

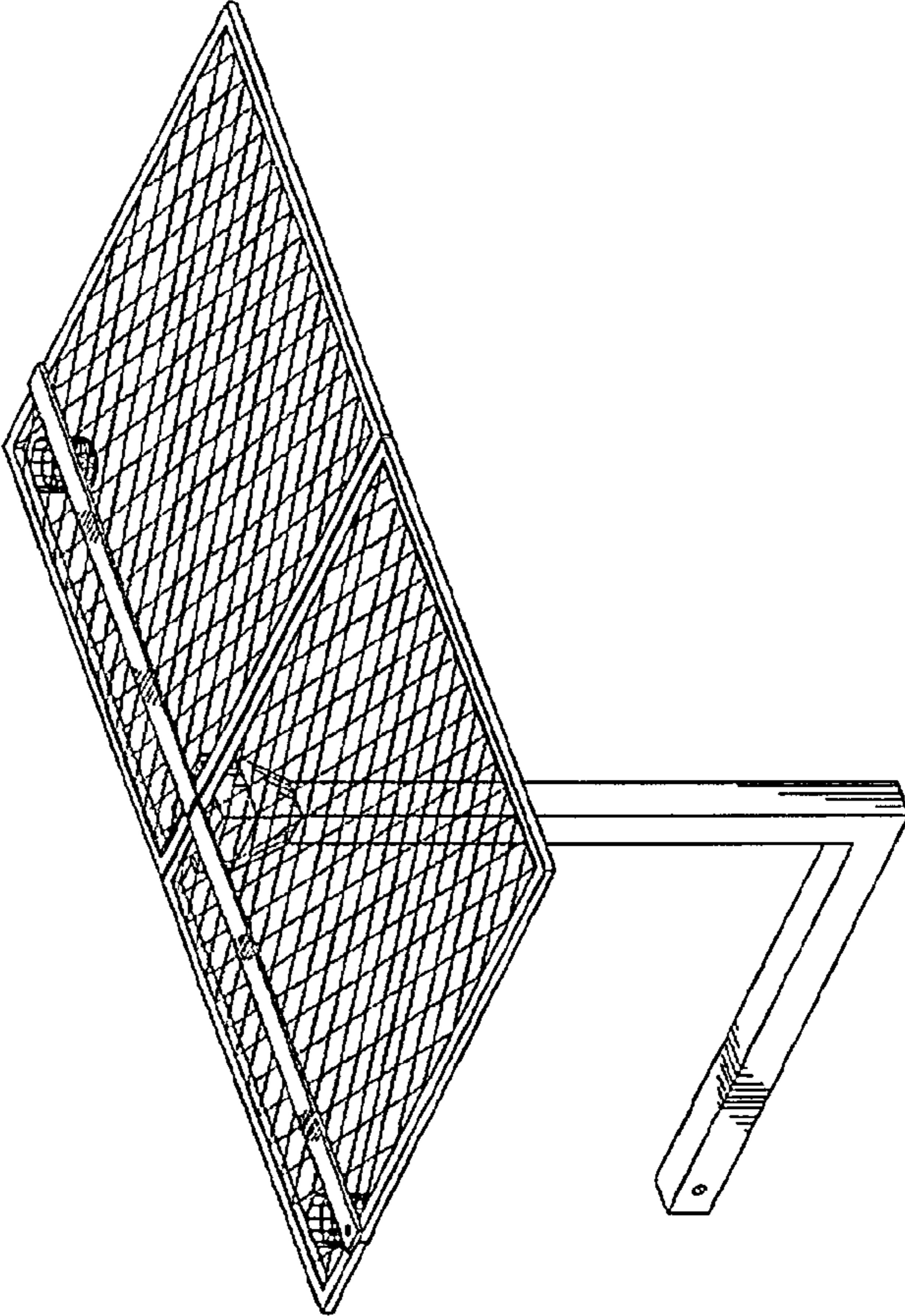


FIG. 2

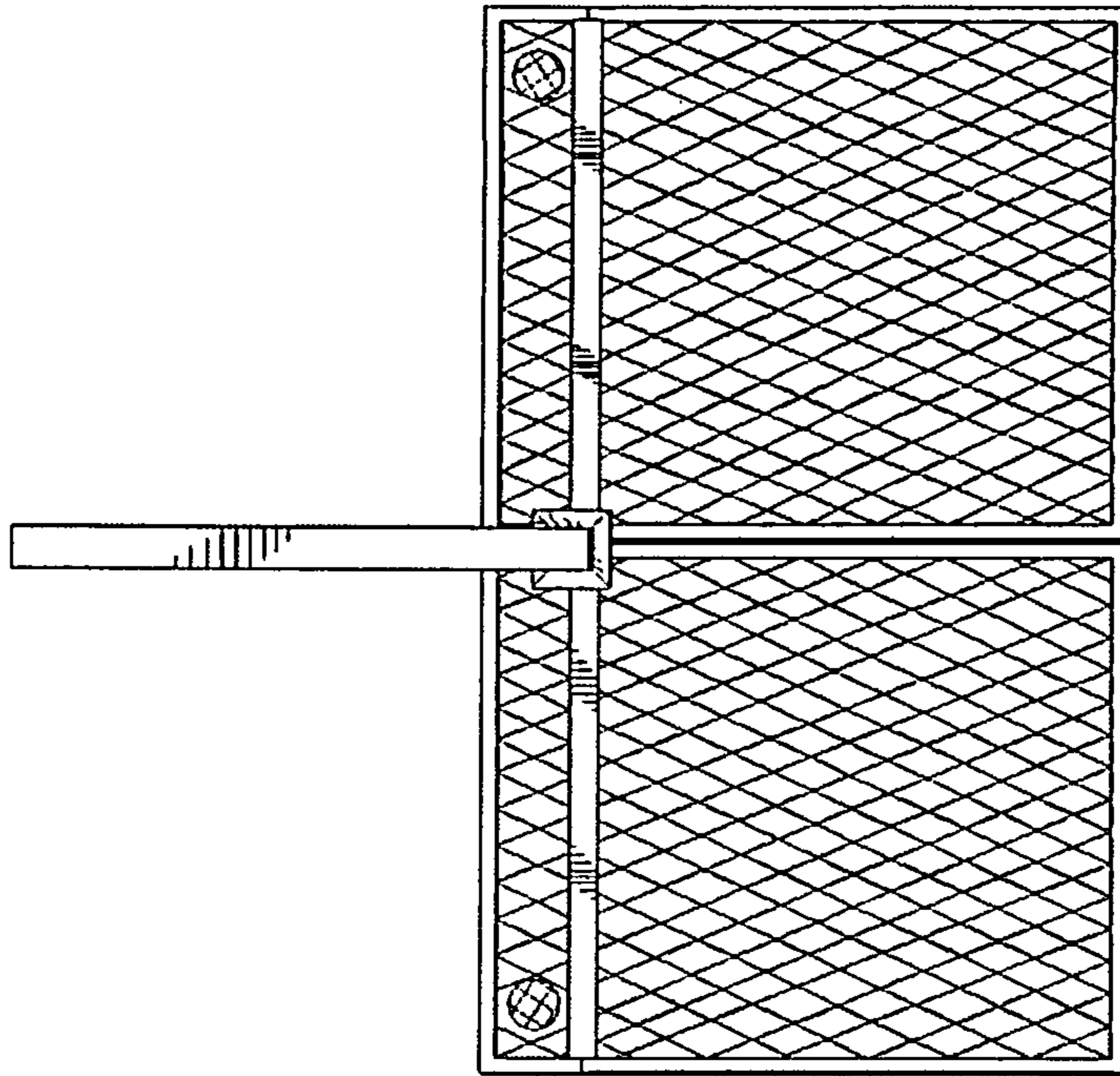


FIG. 3

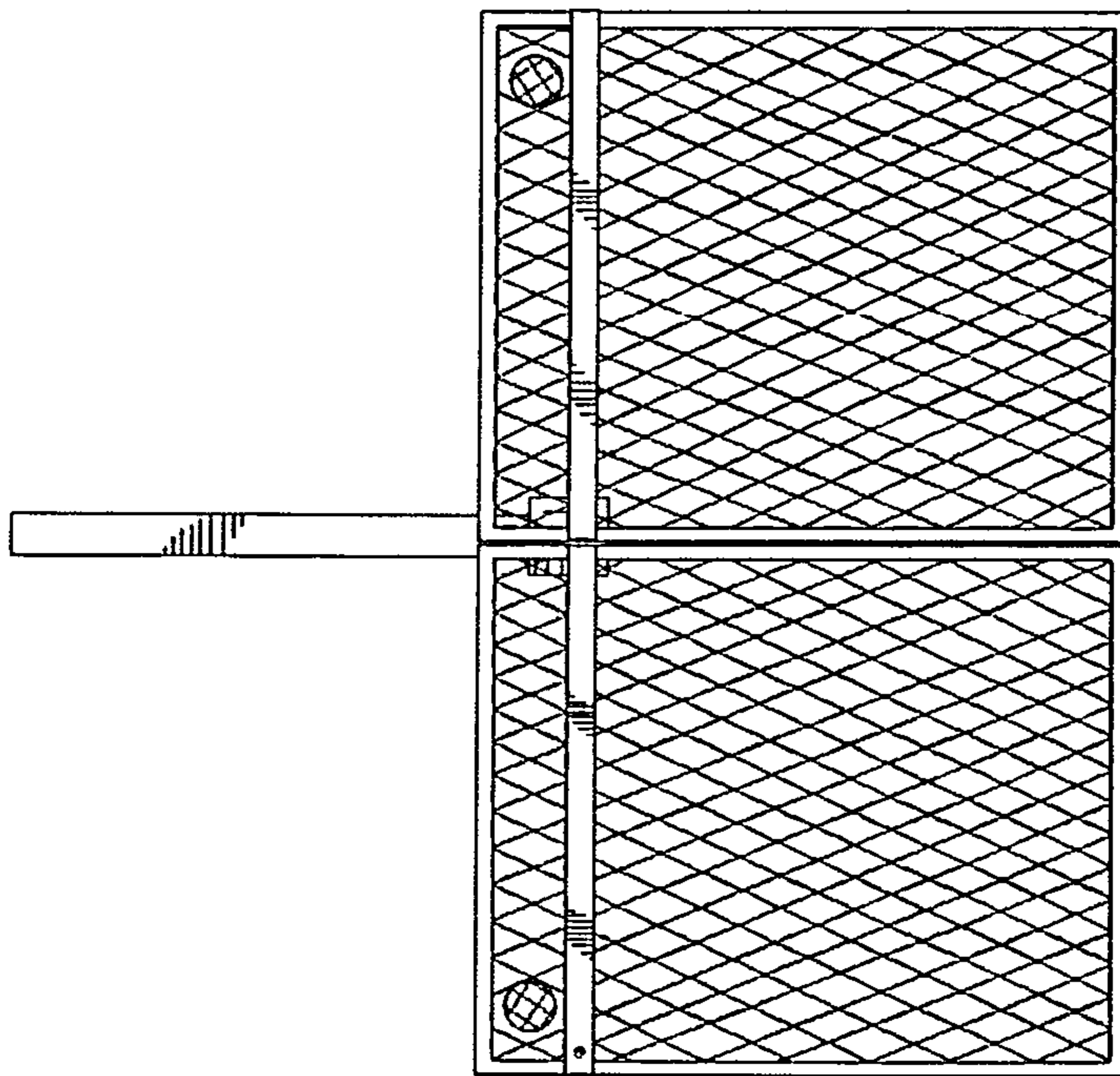


FIG. 4

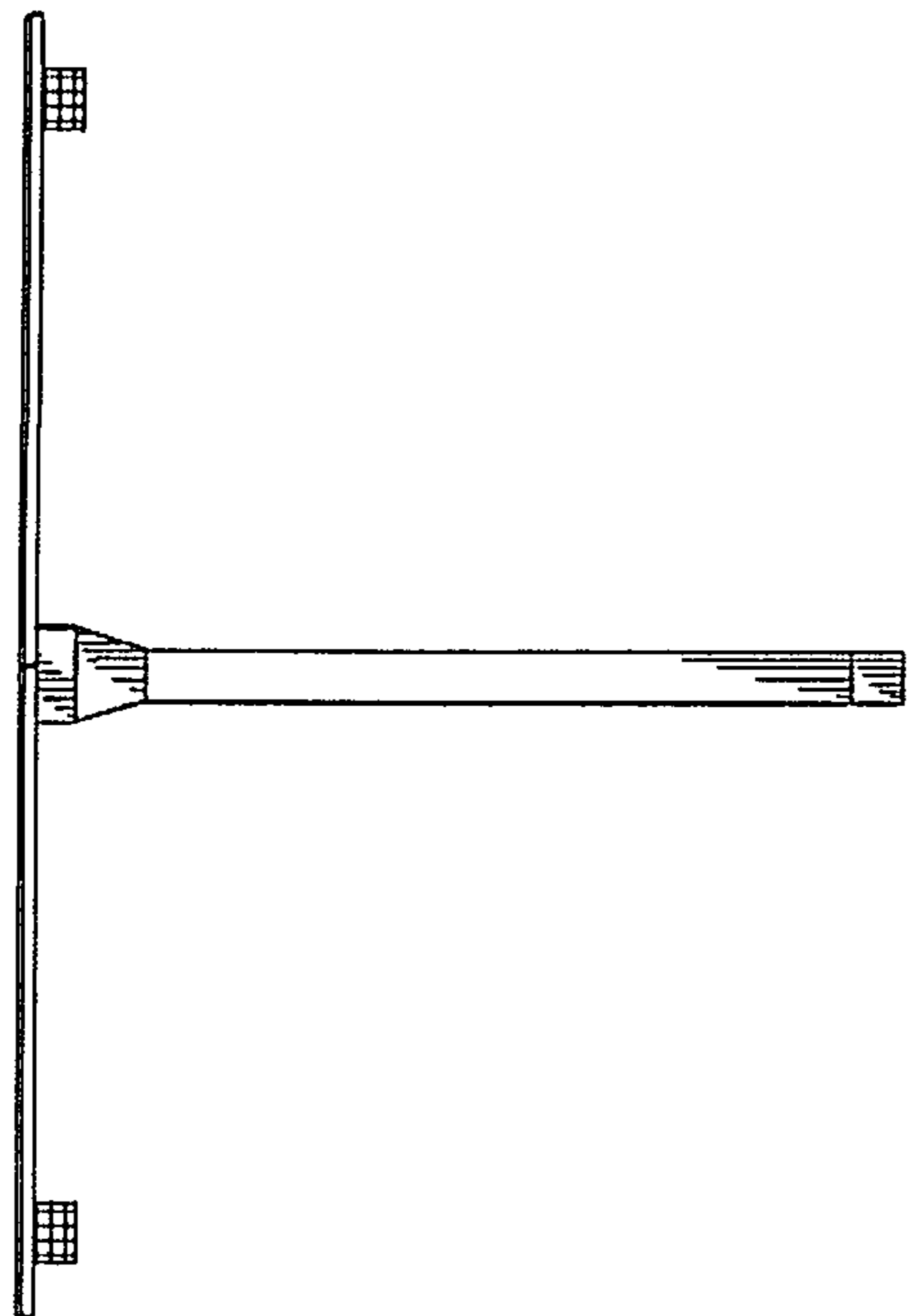


FIG. 5

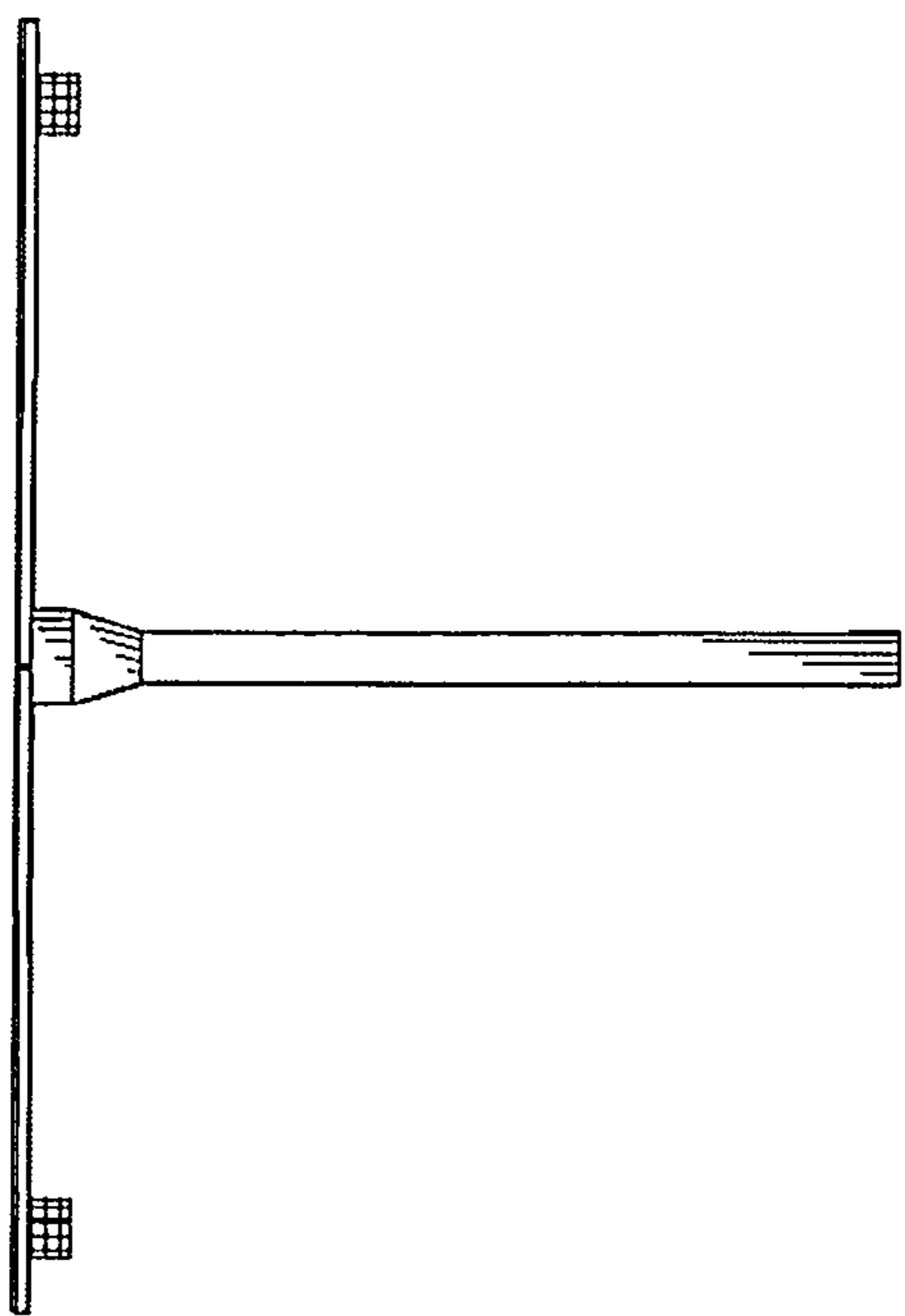


FIG. 6

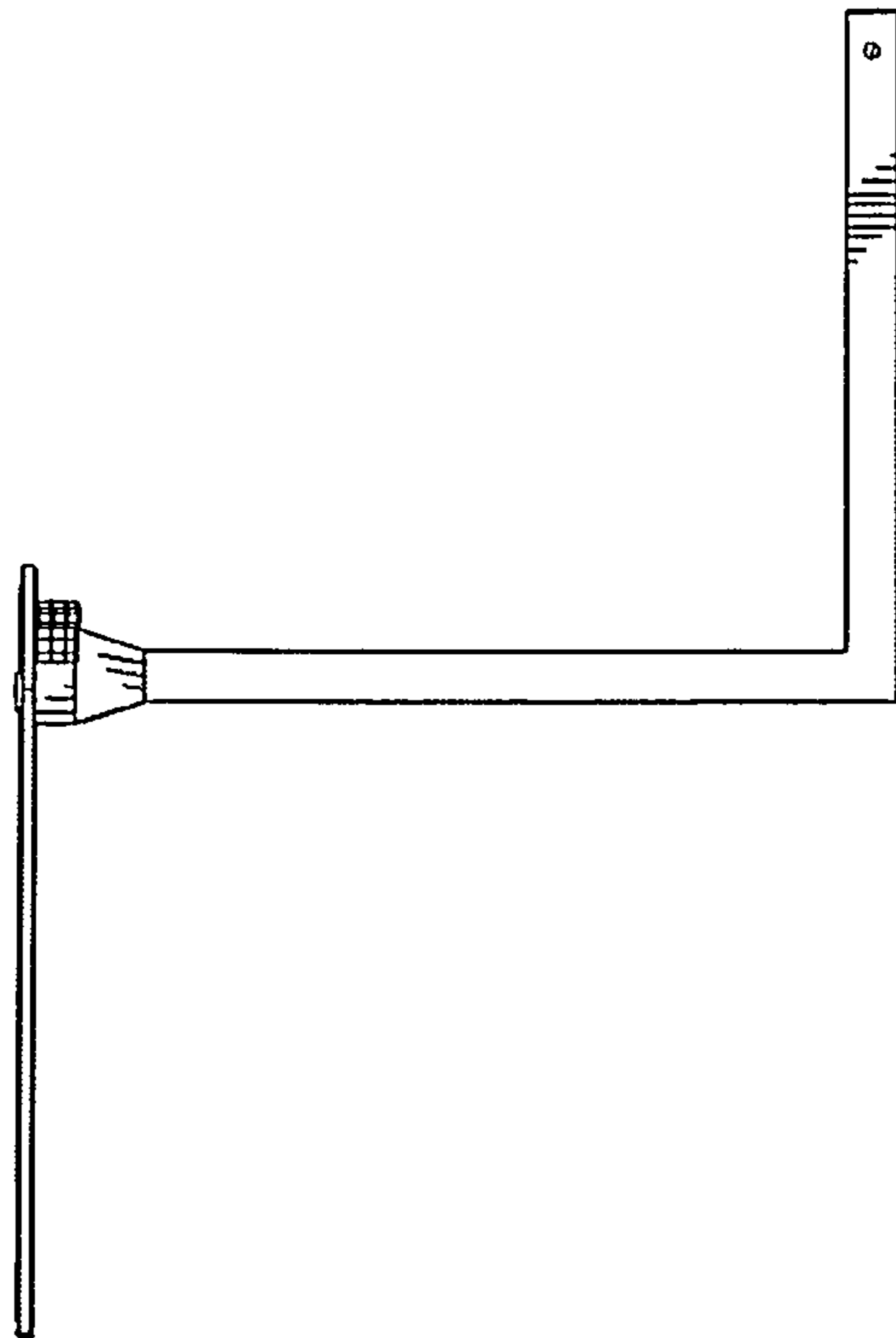


FIG. 7

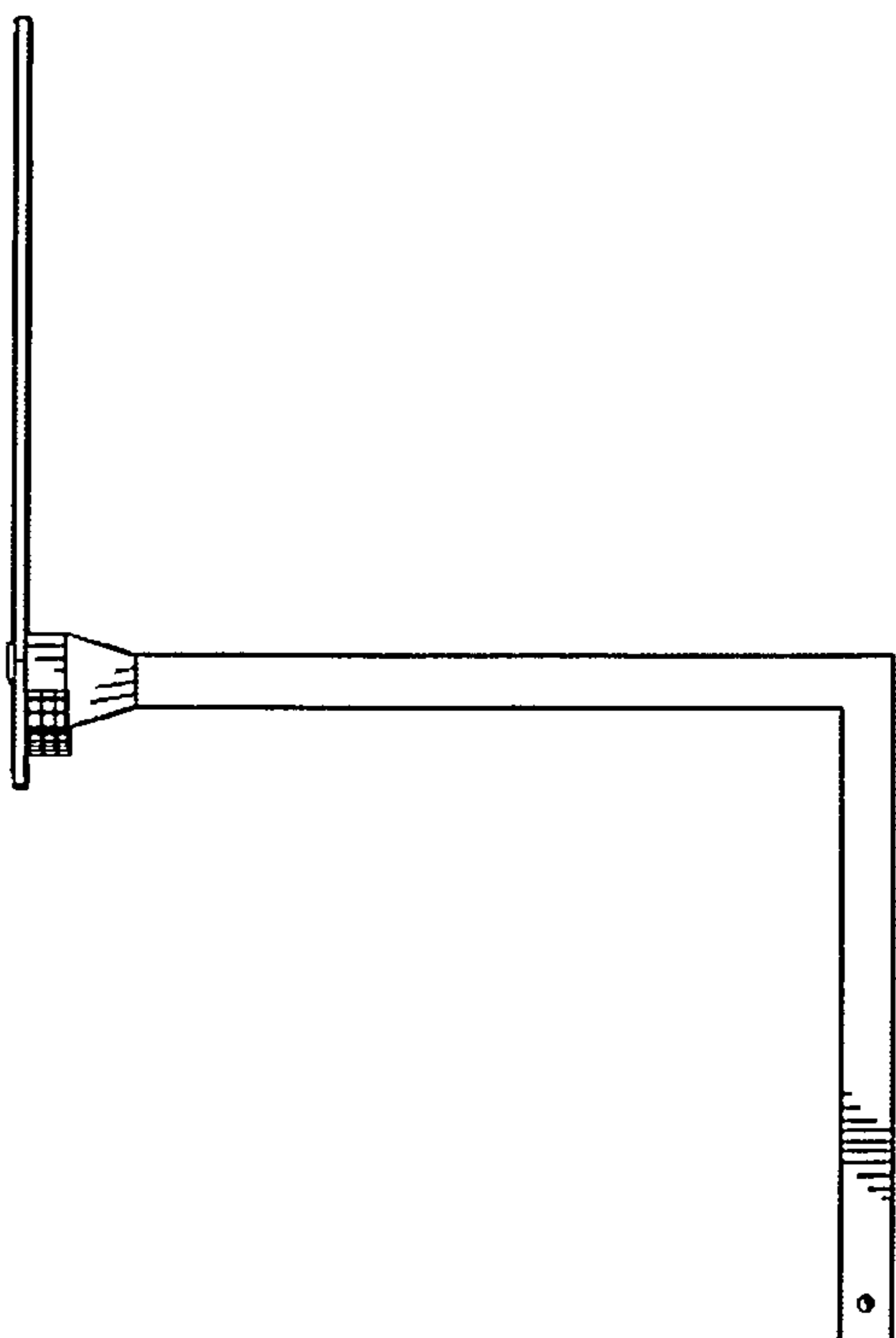


FIG. 8