



US00D737747S

(12) **United States Design Patent**  
**Fretz et al.**

(10) **Patent No.:** **US D737,747 S**  
(45) **Date of Patent:** **\*\* Sep. 1, 2015**

(54) **HUBLOCK**

(71) Applicant: **Warn Industries, Inc.**, Clackamas, OR  
(US)

(72) Inventors: **Darren G. Fretz**, Canby, OR (US);  
**Mitchell R. Lawson**, Perrysburg, OH  
(US)

(73) Assignee: **Warn Industries, Inc.**, Clackamas, OR  
(US)

(\*\*) Term: **14 Years**

(21) Appl. No.: **29/448,687**

(22) Filed: **Mar. 13, 2013**

(51) **LOC (10) Cl.** ..... **12-16**

(52) **U.S. Cl.**  
USPC ..... **D12/207**

(58) **Field of Classification Search**

USPC ..... D12/204–213, 197; D3/318; D7/387,  
D7/391, 392.1; D8/330–331, 341, 396;  
180/247; 192/69.41–69.43

CPC ..... B60B 7/00; B60B 7/02; B60B 7/04;  
B60B 7/01; B60B 7/06; B60B 3/02; B60B  
3/04; B60B 3/06; B60B 3/10; B60B 1/00;  
B60B 1/08; B60B 1/10; B60B 1/12; B60B  
7/16

See application file for complete search history.

(56) **References Cited**

**U.S. PATENT DOCUMENTS**

D53,981 S *	11/1919	Berge	.....	D12/207
D123,083 S *	10/1940	Guild	.....	D12/197
D191,420 S *	9/1961	Shaar	.....	D12/197
4,696,382 A *	9/1987	Aho	.....	192/69.43
D321,164 S *	10/1991	Gibson	.....	D12/213
5,908,080 A *	6/1999	Bigley et al.	.....	180/247
D455,107 S *	4/2002	Zimmerman	.....	D12/197
D498,198 S *	11/2004	Buma	.....	D12/213

D498,447 S *	11/2004	Kato	.....	D12/207
D500,719 S *	1/2005	Baker	.....	D12/207
D608,716 S *	1/2010	Baumann	.....	D12/213

**OTHER PUBLICATIONS**

Warn Industries Product Guide 2005-06; (4 pages).  
Warn Industries 1979 Dealer Catalog; Off-Road Accessories Built  
for the Long Run (5 pages).  
Warn Industries Products Catalog (1993); (7 pages).

\* cited by examiner

*Primary Examiner* — Stacia Cadmus

(74) *Attorney, Agent, or Firm* — Alleman Hall McCoy  
Russell & Tuttle LLP

(57) **CLAIM**

The ornamental design for a hublock, as shown and  
described.

**DESCRIPTION**

FIG. 1 is a front perspective view of a hublock, showing our  
new design;

FIG. 2 is a front view thereof;

FIG. 3 is a side view thereof, it being understood that the  
opposite side is a mirror image thereof;

FIG. 4 is a front perspective view of a second embodiment of  
a hublock, showing our new design;

FIG. 5 is a front view of FIG. 4;

FIG. 6 is a side view of FIG. 4, it being understood that the  
opposite side is a mirror image thereof;

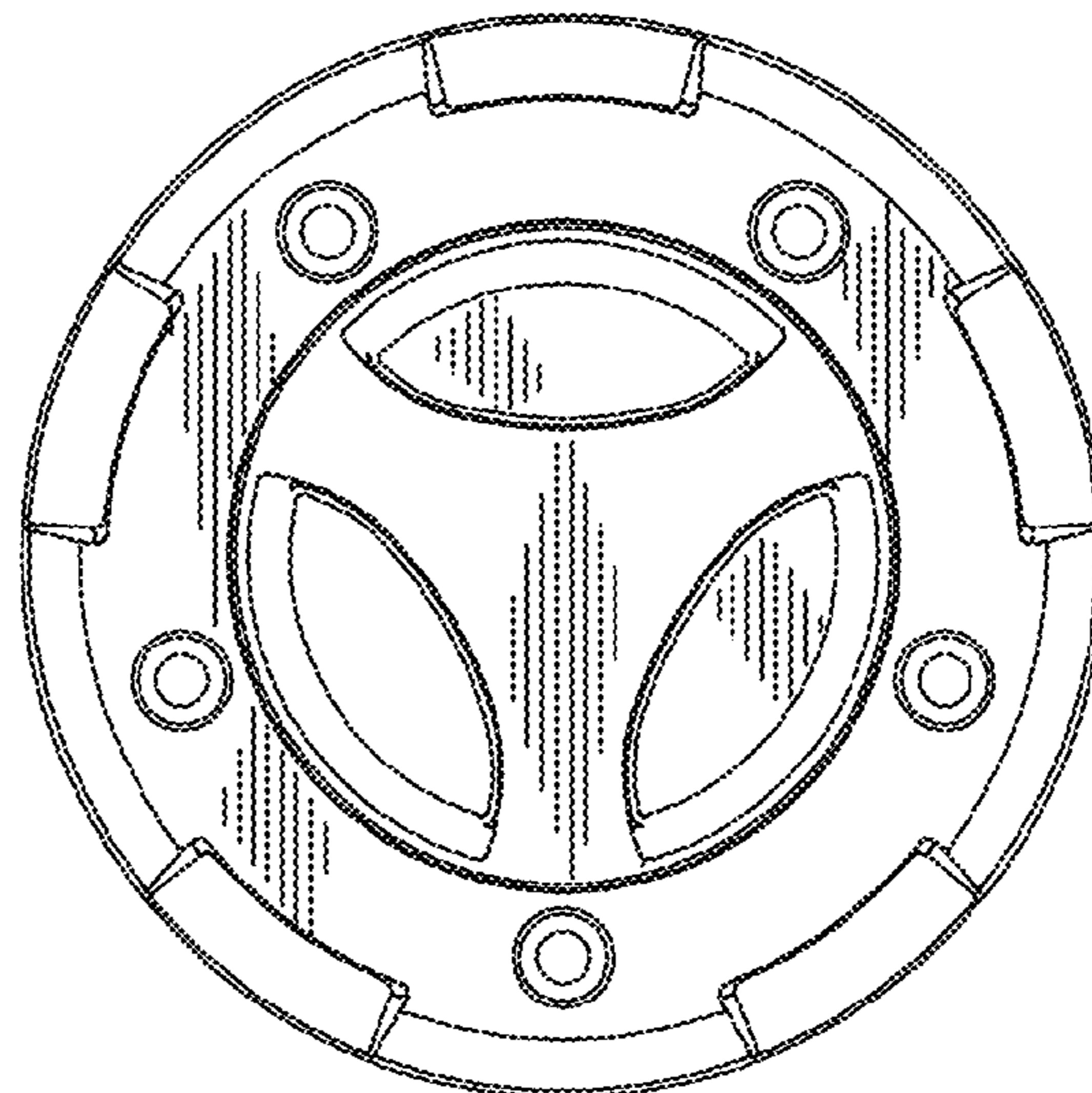
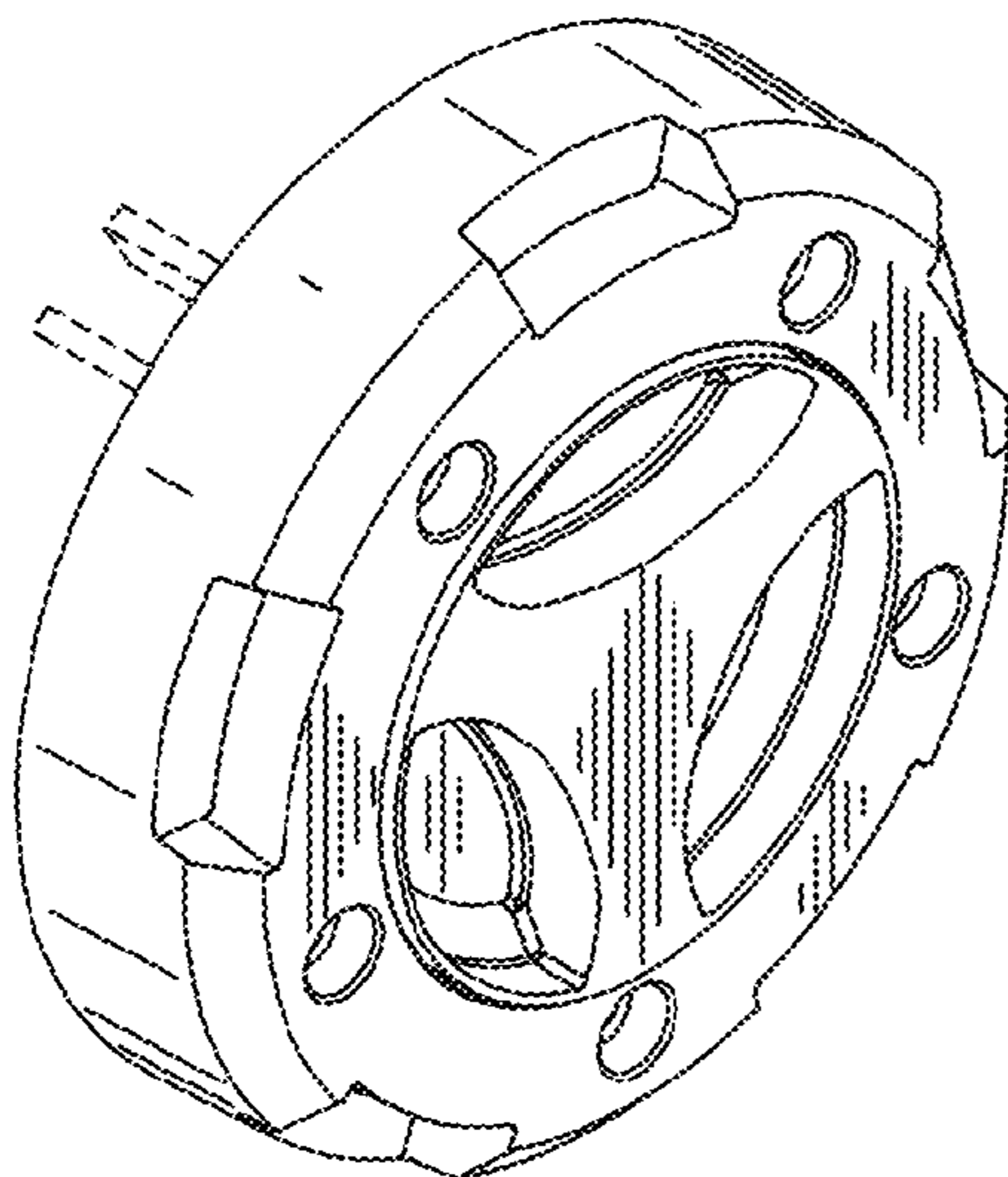
FIG. 7 is a front perspective view of a third embodiment of a  
hublock, showing our new design;

FIG. 8 is a front view of FIG. 7; and,

FIG. 9 is a side view of FIG. 7, it being understood that the  
opposite side is a mirror image thereof.

The broken line showing of the side and back portions of the  
hublock in FIGS. 1, 3, 6, 7 and 9 is included for the purpose  
of illustrating environment and forms no part of the claimed  
design.

**1 Claim, 3 Drawing Sheets**



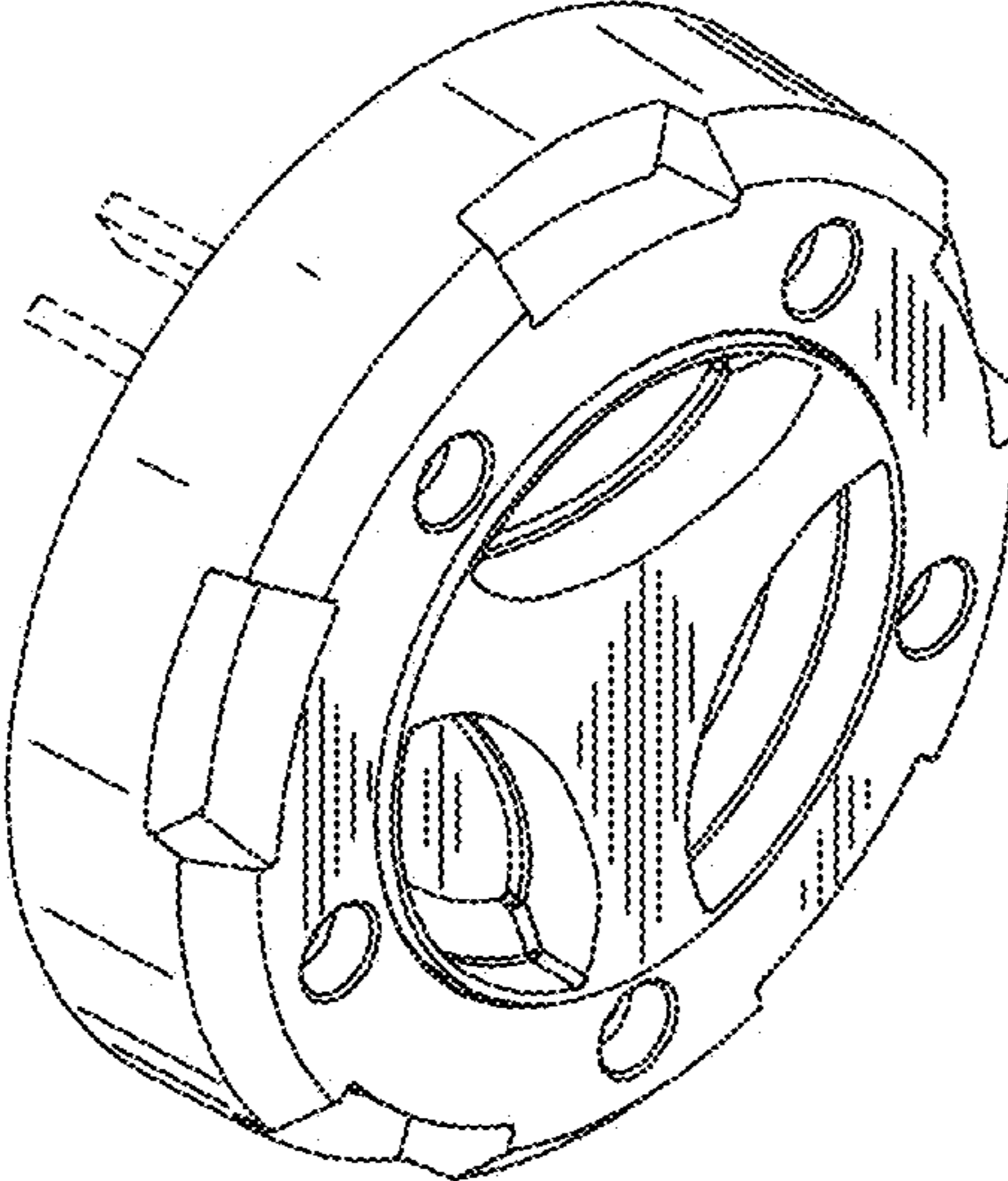


FIG 1

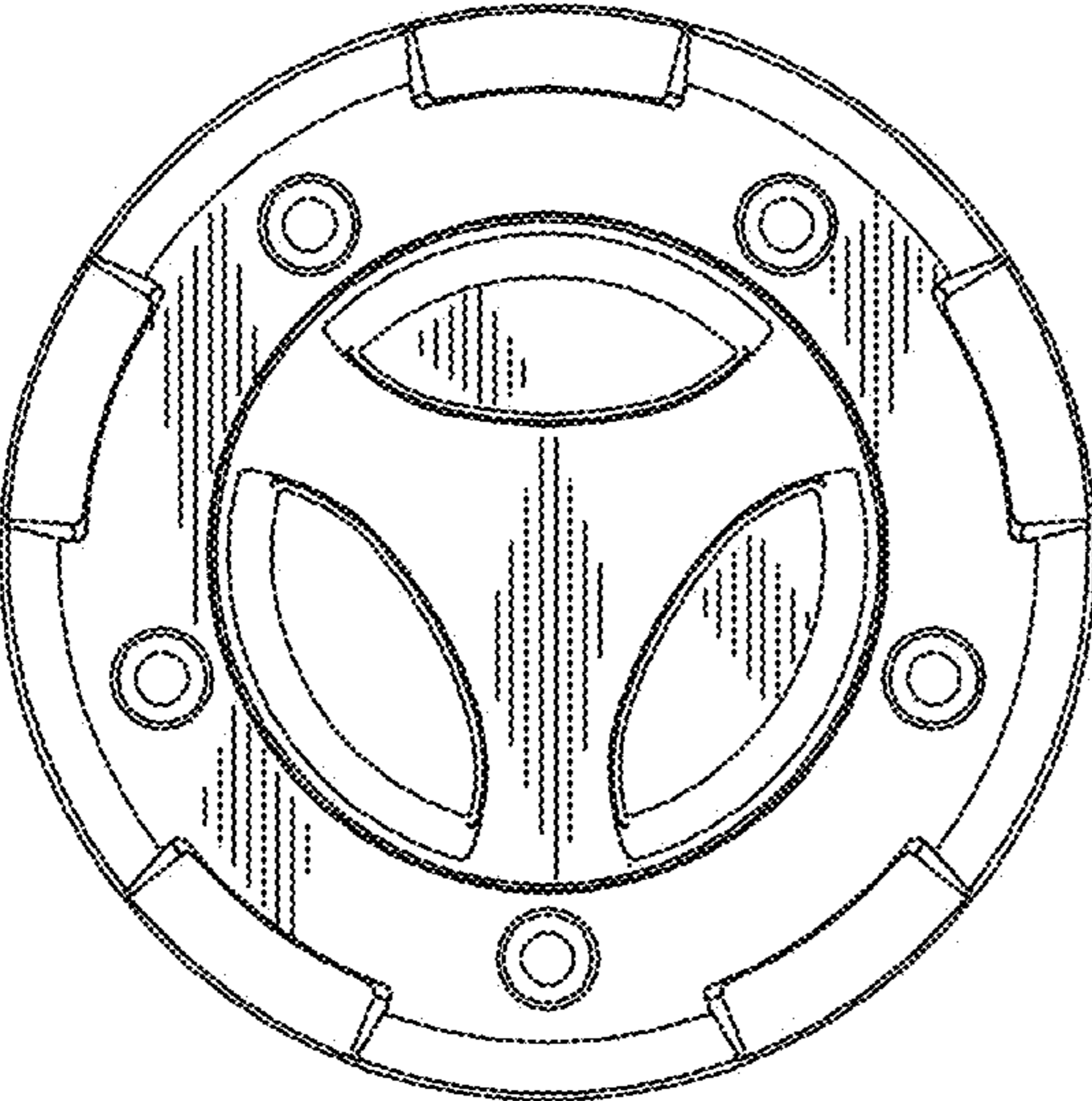


FIG 2

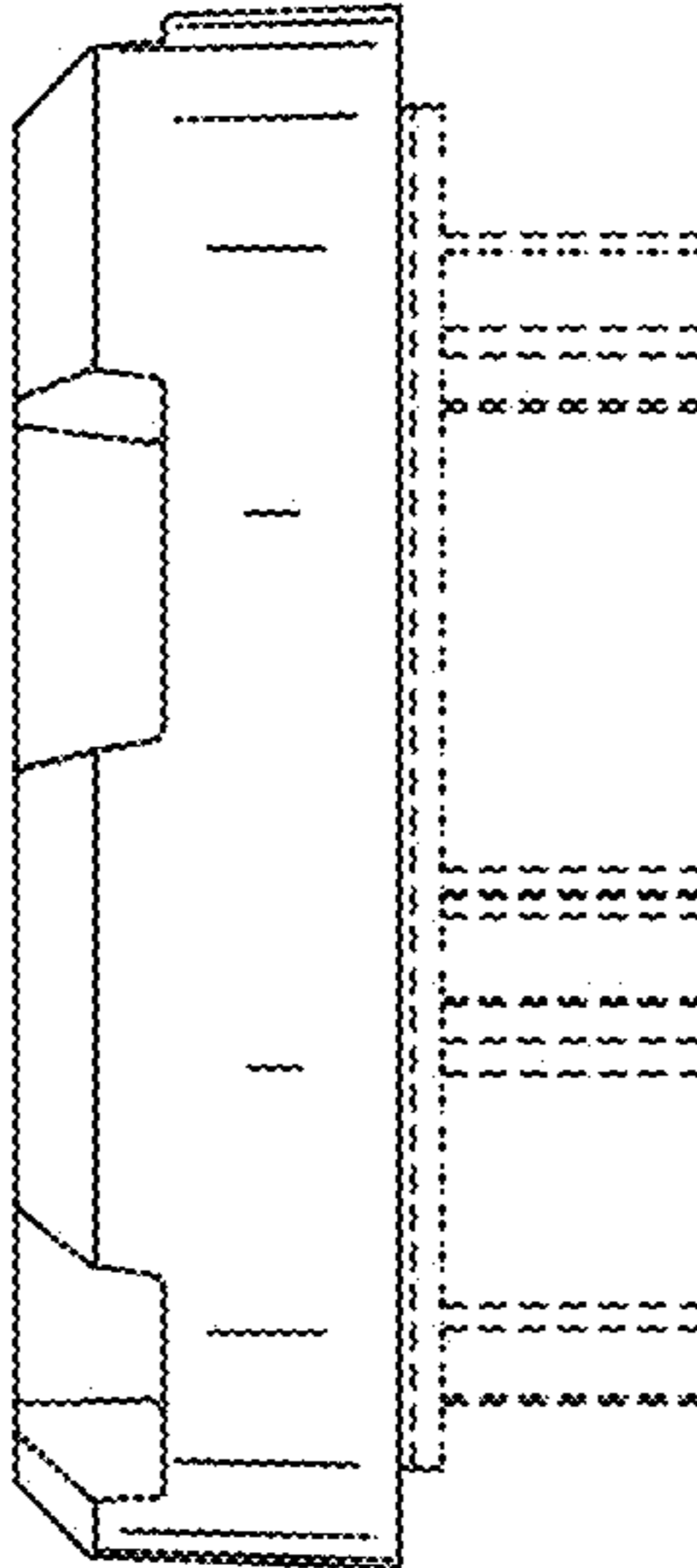


FIG 3

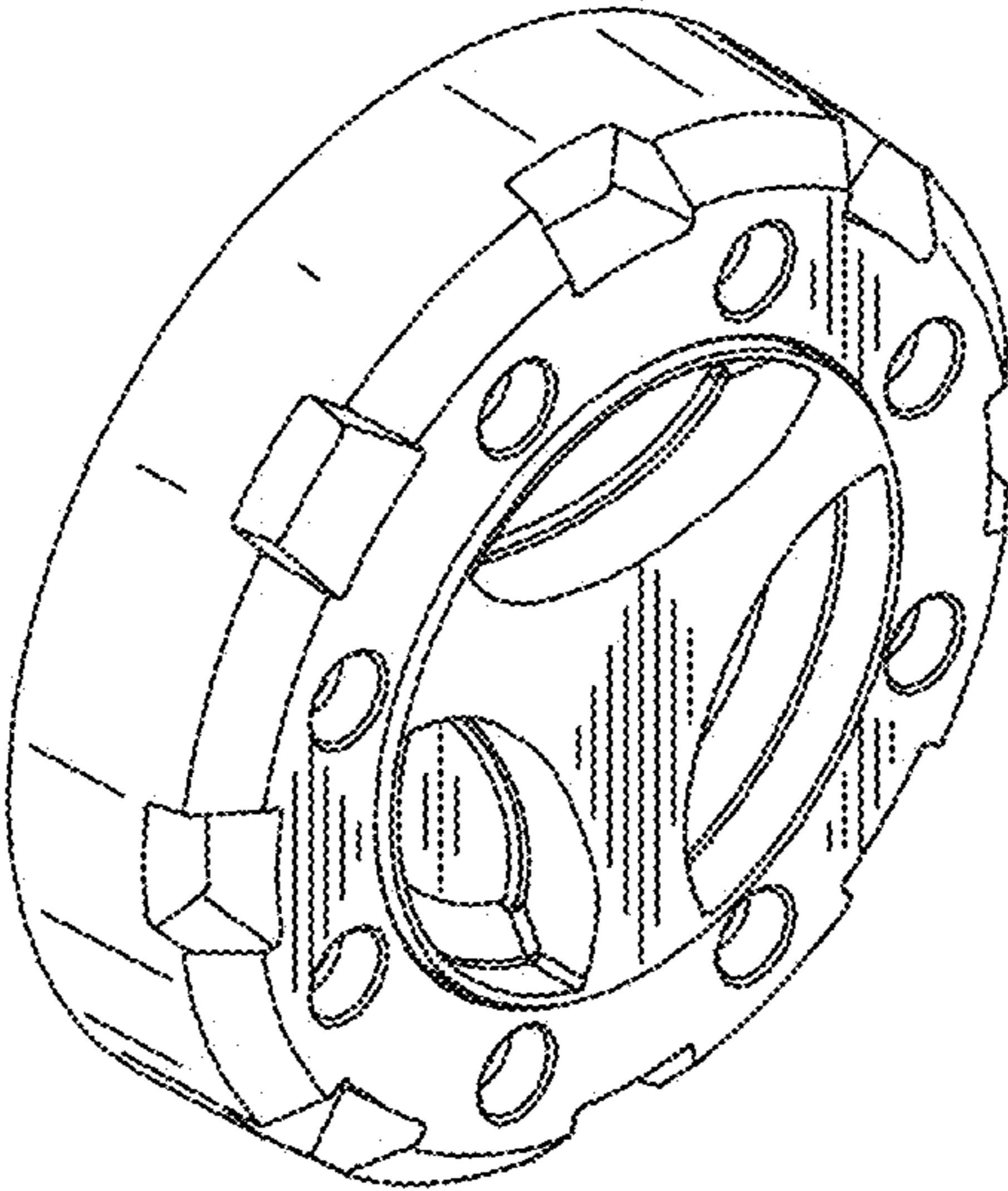


FIG 4

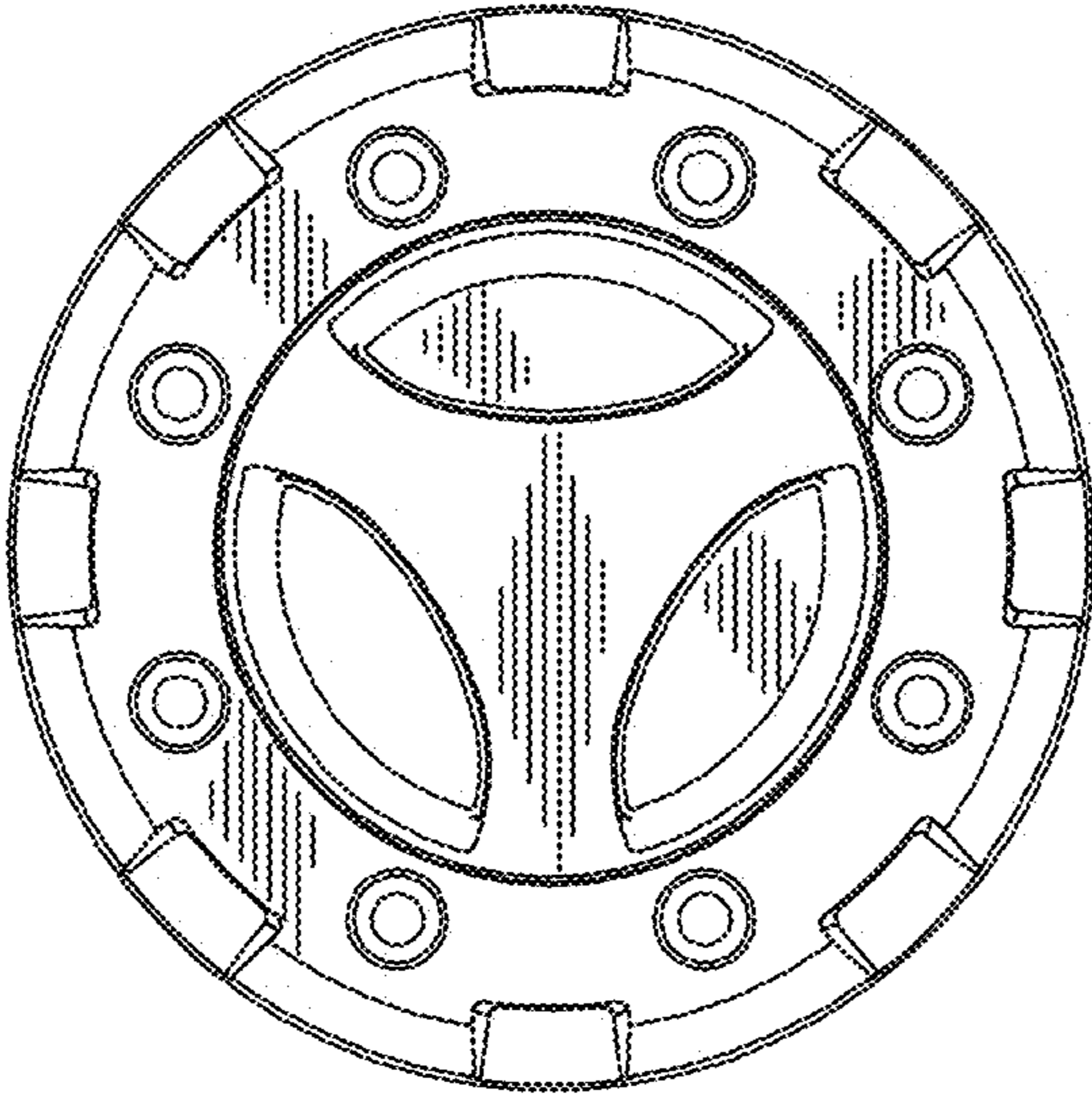


FIG 5

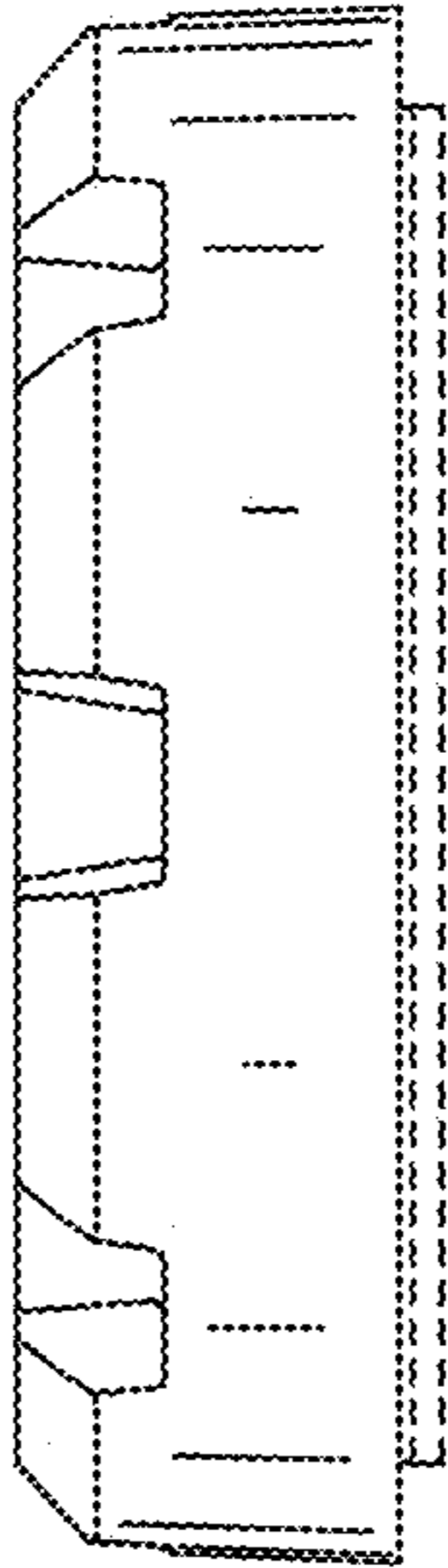


FIG 6

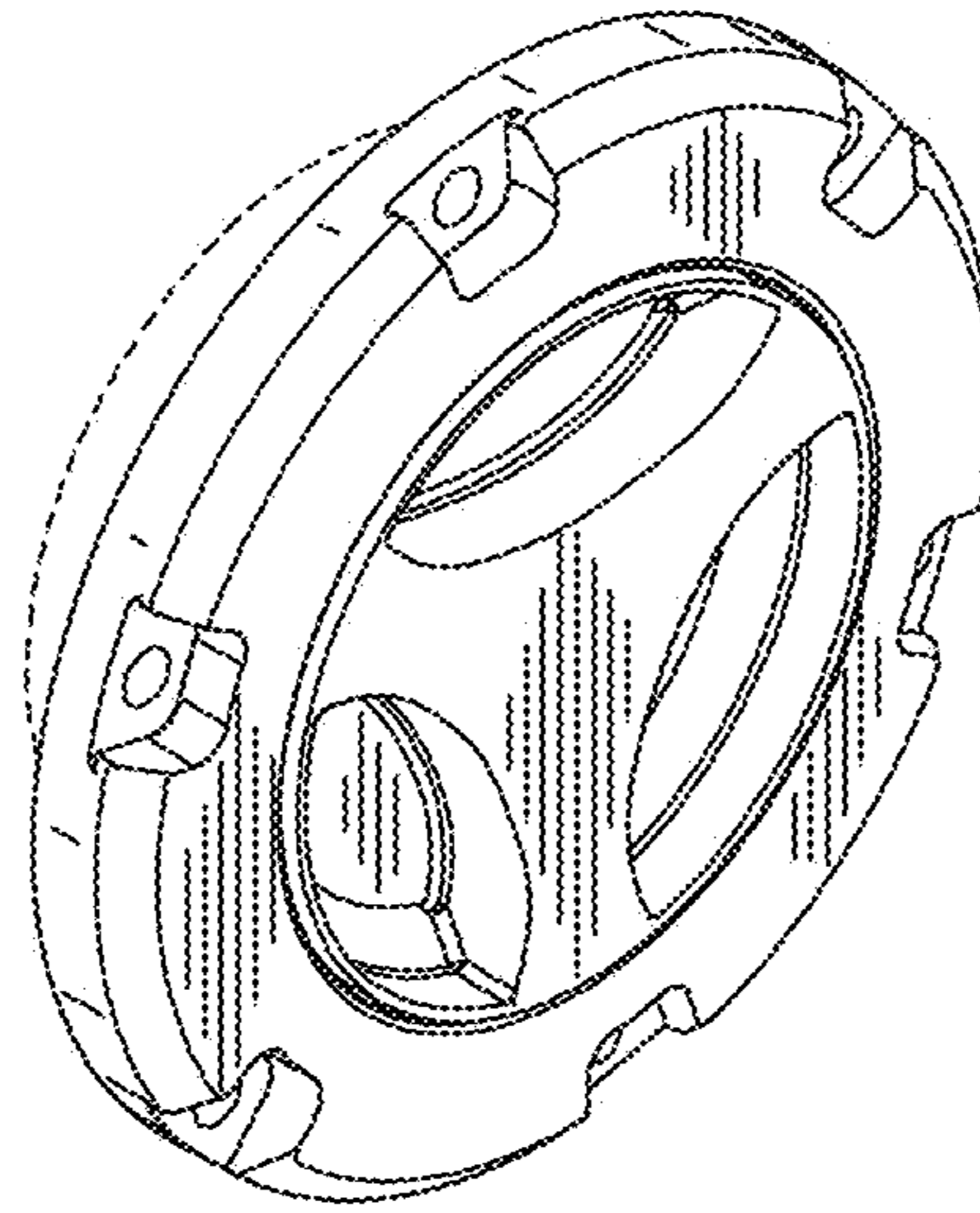


FIG 7

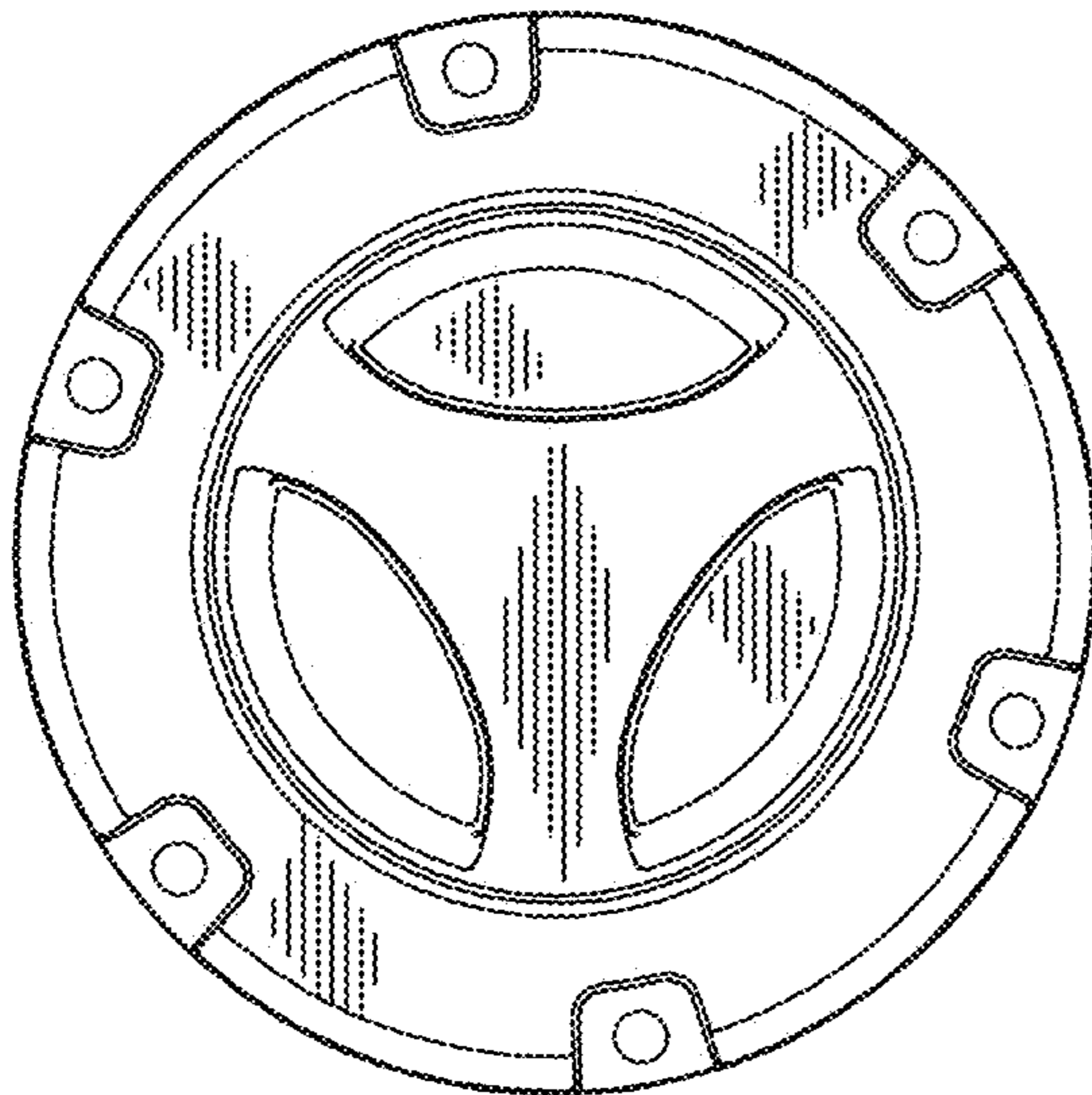


FIG 8

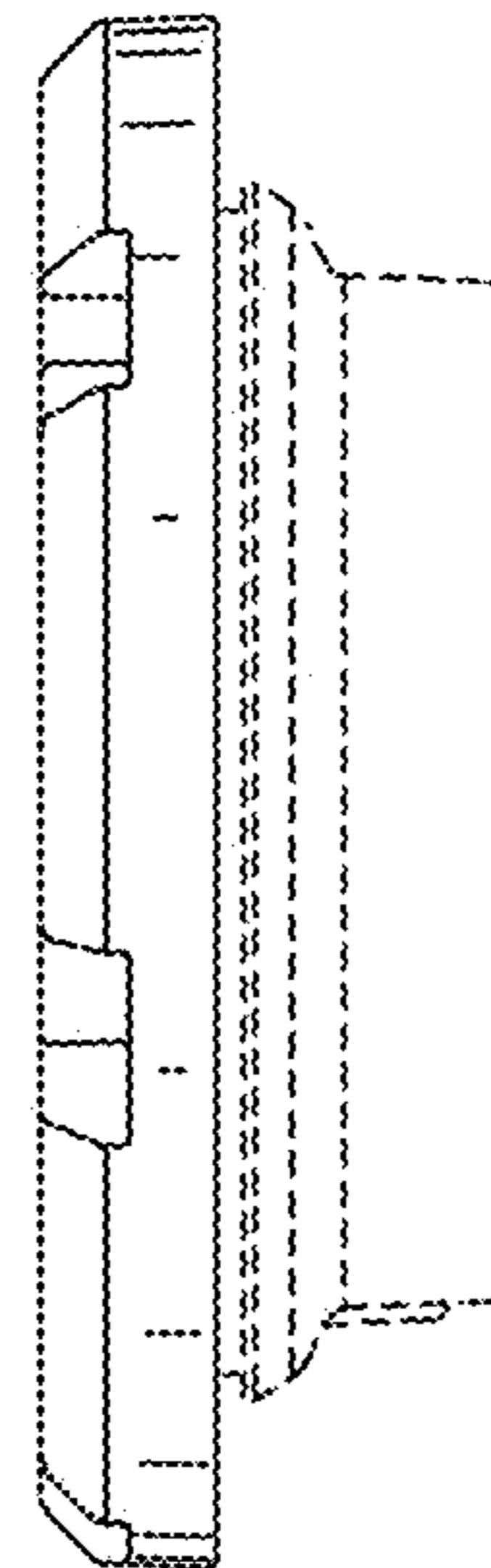


FIG 9