



US00D737744S

(12) **United States Design Patent**
Knoedle-Bunte et al.

(10) **Patent No.:** **US D737,744 S**

(45) **Date of Patent:** **** Sep. 1, 2015**

(54) **VEHICLE COMPONENT**

(74) *Attorney, Agent, or Firm* — Fishman Stewart Yamaguchi PLLC

(71) Applicant: **Land Rover**, Warwickshire (GB)

(72) Inventors: **Andreas Knoedle-Bunte**, Warwickshire (GB); **Sean Henstridge**, Warwickshire (GB); **James Watkins**, Warwickshire (GB)

(57) **CLAIM**

The ornamental design for vehicle component, as shown and described.

(73) Assignee: **Land Rover** (GB)

(**) Term: **14 Years**

DESCRIPTION

(21) Appl. No.: **29/435,158**

(22) Filed: **Oct. 19, 2012**

(51) **LOC (10) Cl.** **12-08**

(52) **U.S. Cl.**
USPC **D12/181**

(58) **Field of Classification Search**
USPC D12/181, 191, 196, 167, 401, 190, 93,
D12/86; 280/727, 770, 848;
296/180.1–180.5, 91; 180/903
See application file for complete search history.

FIG. 1 is a rear perspective view of a left hand side vehicle component;
FIG. 2 is a side view of the left hand side vehicle component;
FIG. 3 is a front view of the left hand side vehicle component;
FIG. 4 is a rear view of the left hand side vehicle component;
FIG. 5 is an outboard side view of the left hand side vehicle component;
FIG. 6 is an inboard side view of the left hand side vehicle component;
FIG. 7 is a top view of the left hand side vehicle component;
FIG. 8 is a rear perspective view of a right hand side vehicle component;
FIG. 9 is a side view of the right hand side vehicle component;
FIG. 10 is a front view of the right hand side vehicle component;
FIG. 11 is a rear view of a right hand side vehicle component;
FIG. 12 is an outboard side view of the right hand side vehicle component;
FIG. 13 is an inboard side view of the right hand side vehicle component;
FIG. 14 is a top view of the right hand side vehicle component; and,
FIG. 15 is a supplemental front perspective view of the left and right vehicle components in an installed position on a vehicle.

(56) **References Cited**

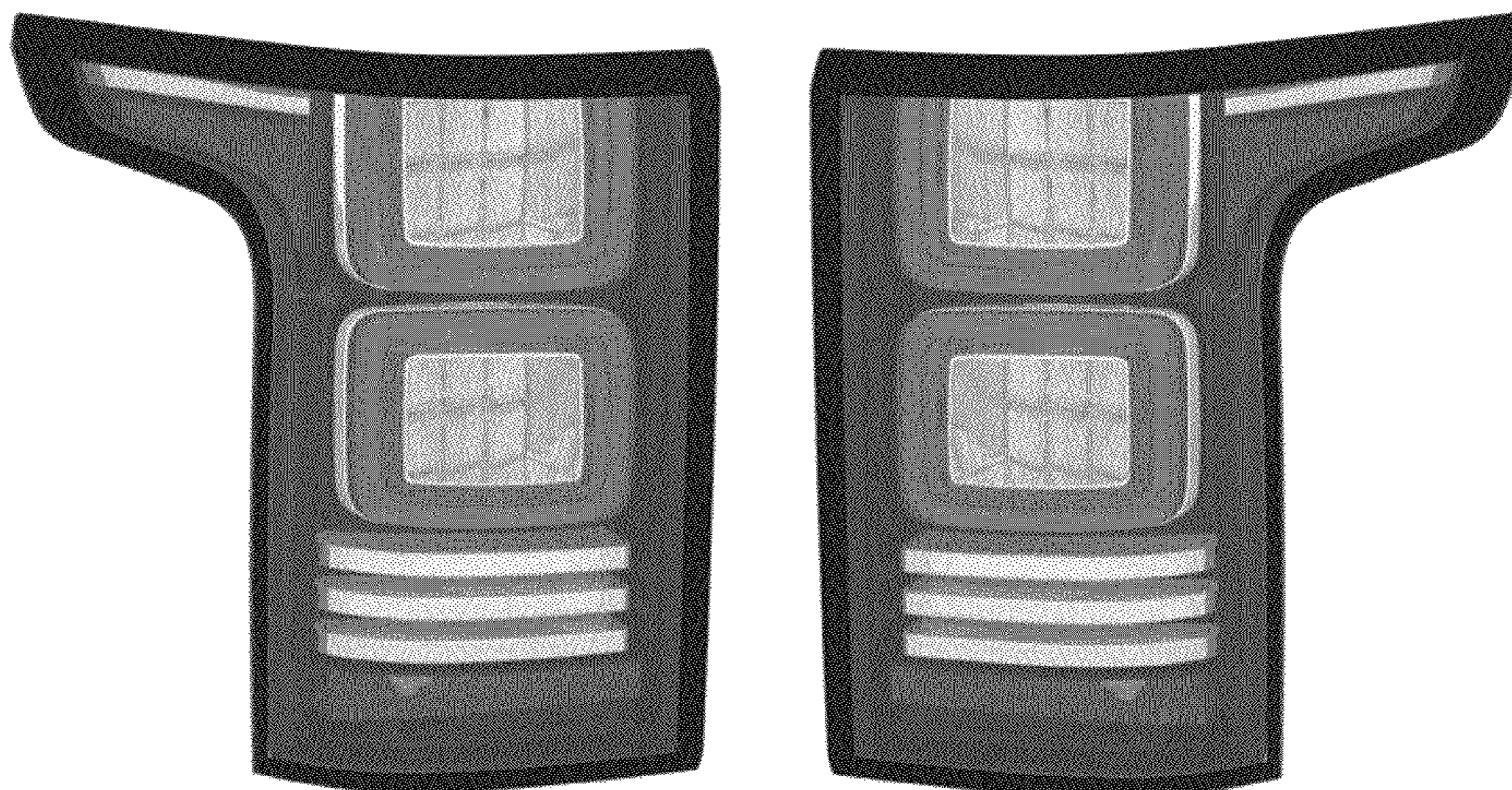
U.S. PATENT DOCUMENTS

2,833,344	A *	5/1958	Lucht	297/465
D307,409	S *	4/1990	Bott	D12/181
D307,410	S *	4/1990	Bott	D12/181
D307,411	S *	4/1990	Bott	D12/181
D331,560	S *	12/1992	Ivey	D12/181
D505,890	S *	6/2005	Kubota et al.	D12/91
D510,543	S *	10/2005	Matsuoka et al.	D12/91
D516,956	S *	3/2006	Bucci et al.	D12/91
D520,928	S *	5/2006	Matei et al.	D12/196
D524,189	S *	7/2006	Wheel et al.	D12/91
D543,900	S *	6/2007	Lian	D12/96

* cited by examiner

Primary Examiner — Katrina A Betton

1 Claim, 9 Drawing Sheets



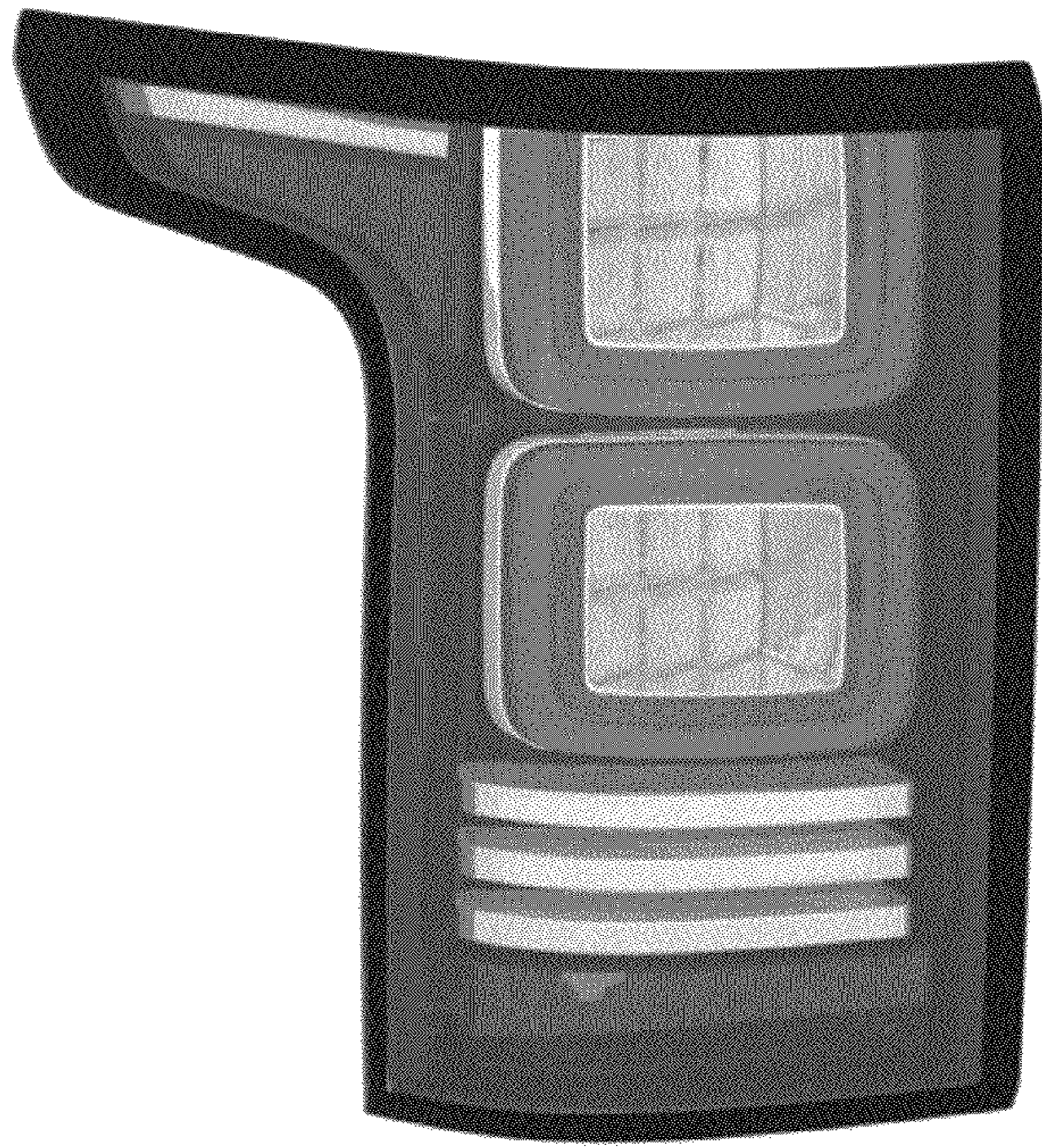


FIG. 1

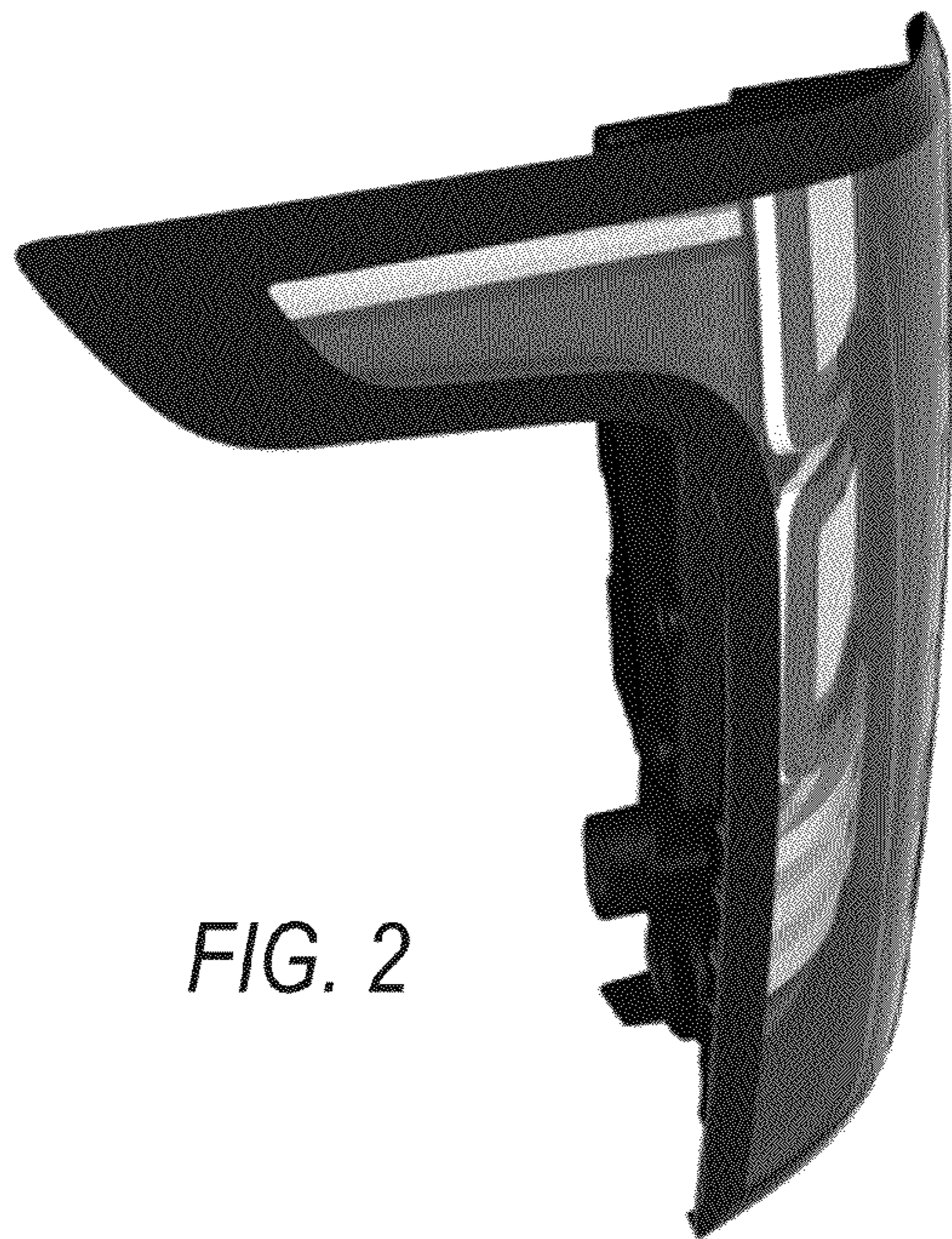


FIG. 2

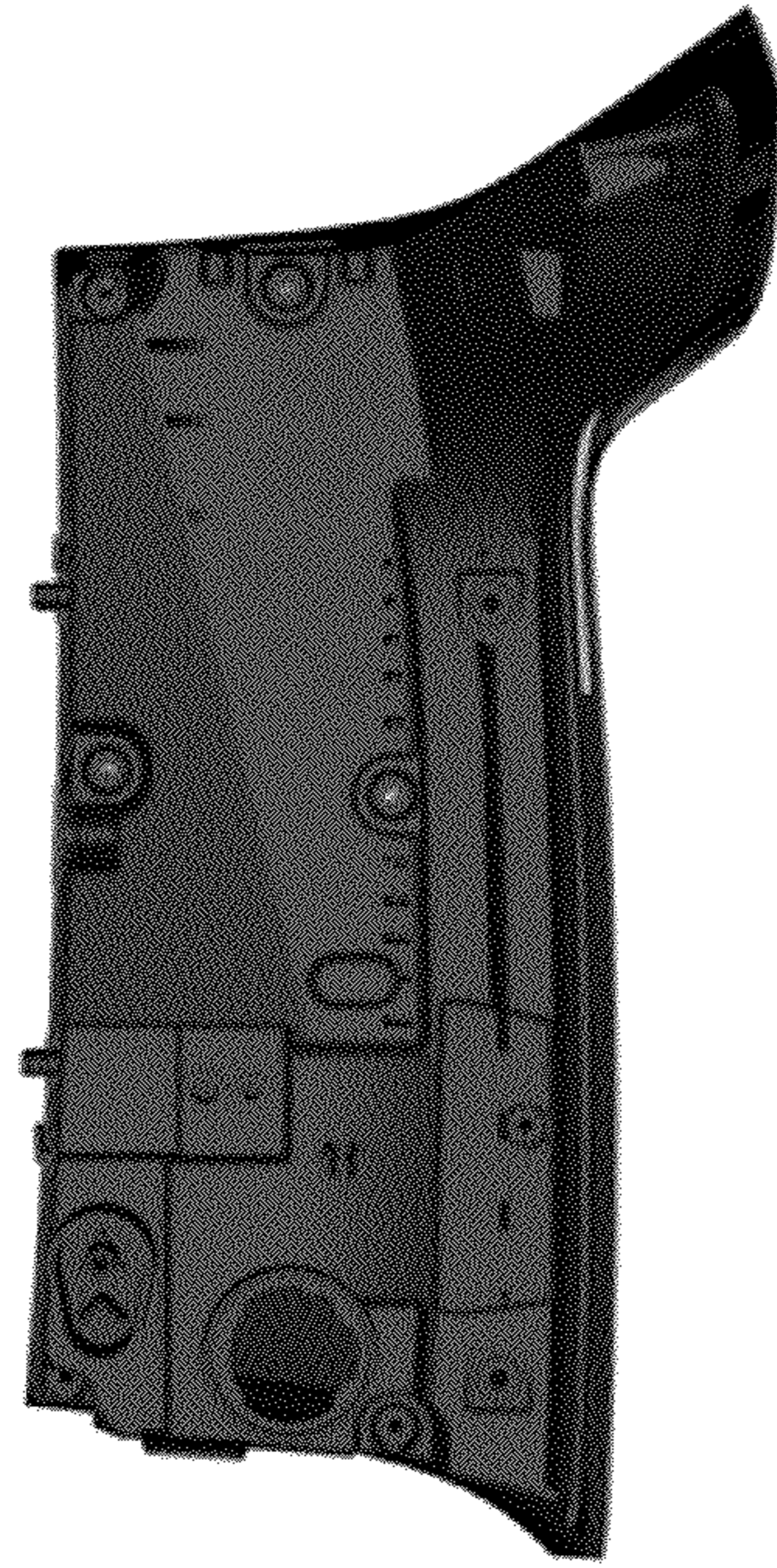


FIG. 3



FIG. 4



FIG. 5

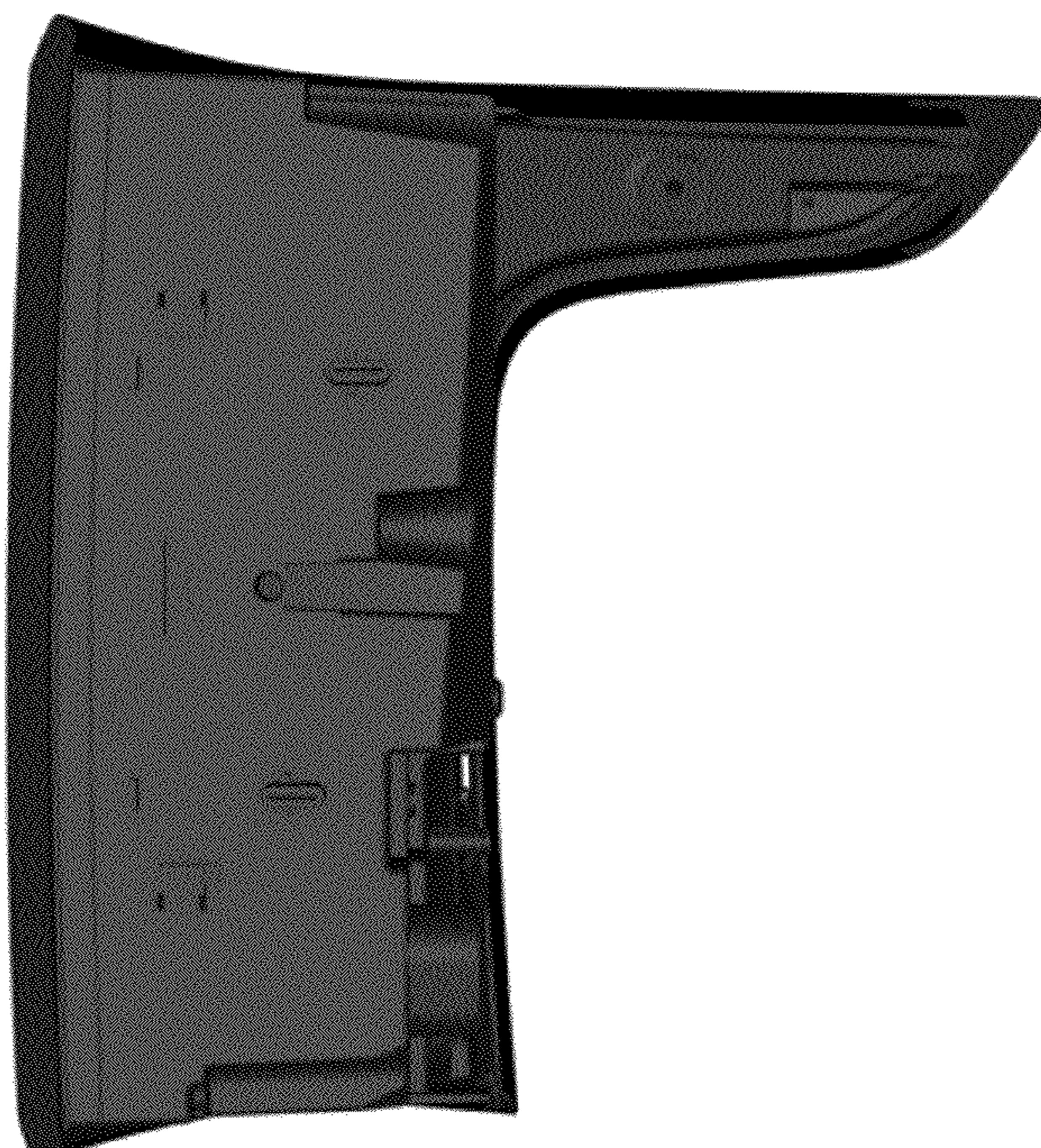


FIG. 6

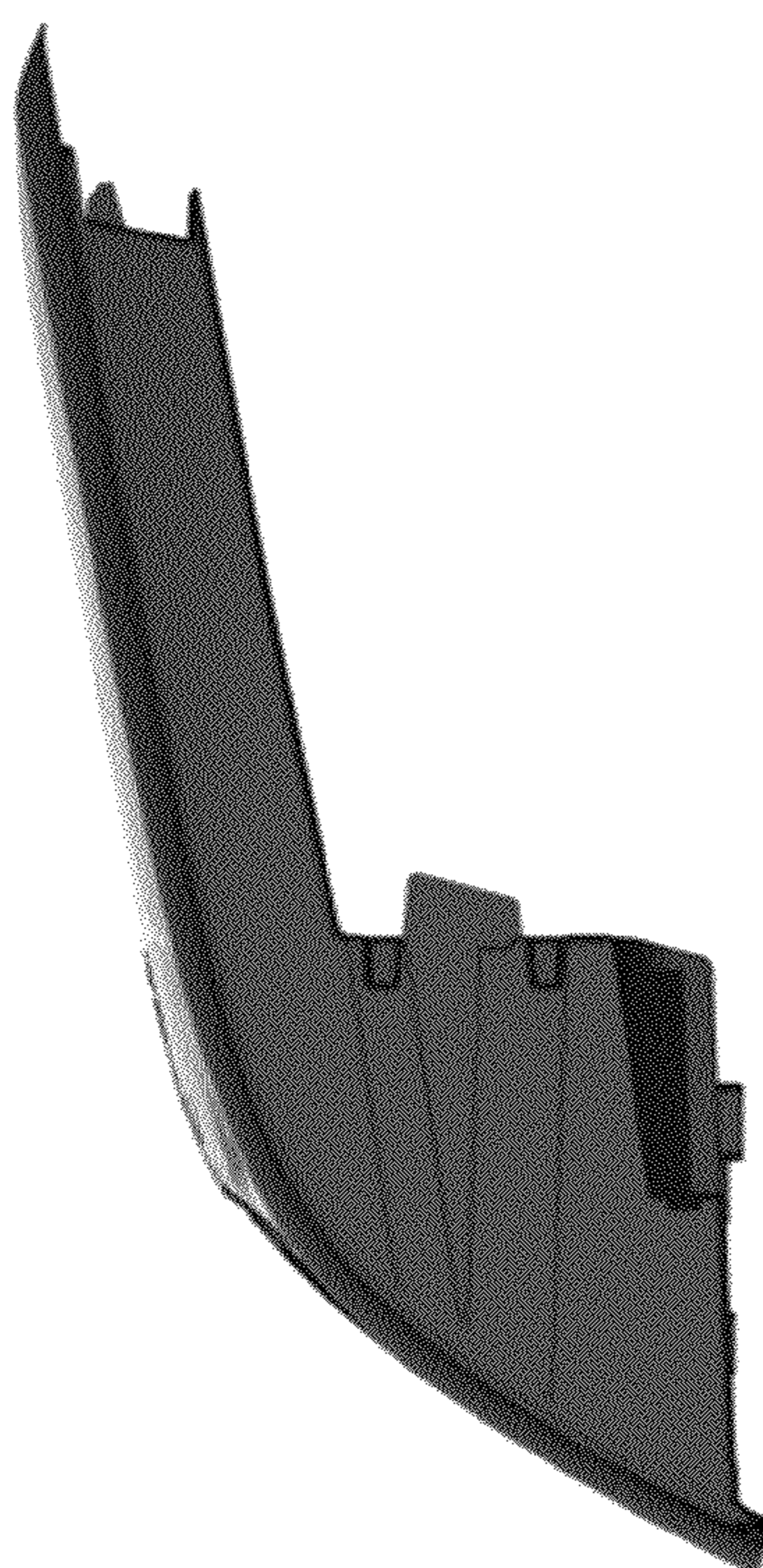


FIG. 7

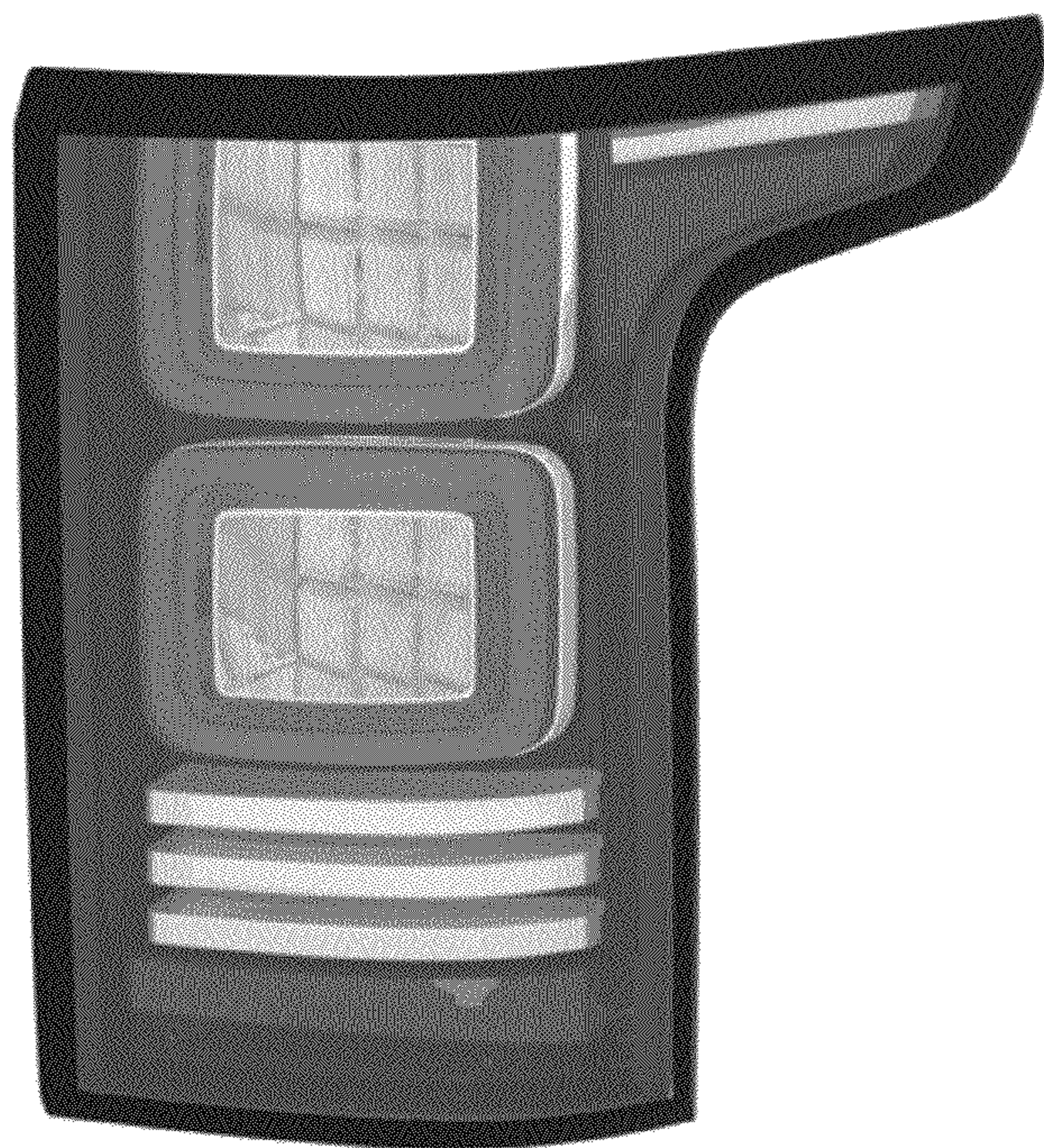


FIG. 8



FIG. 9

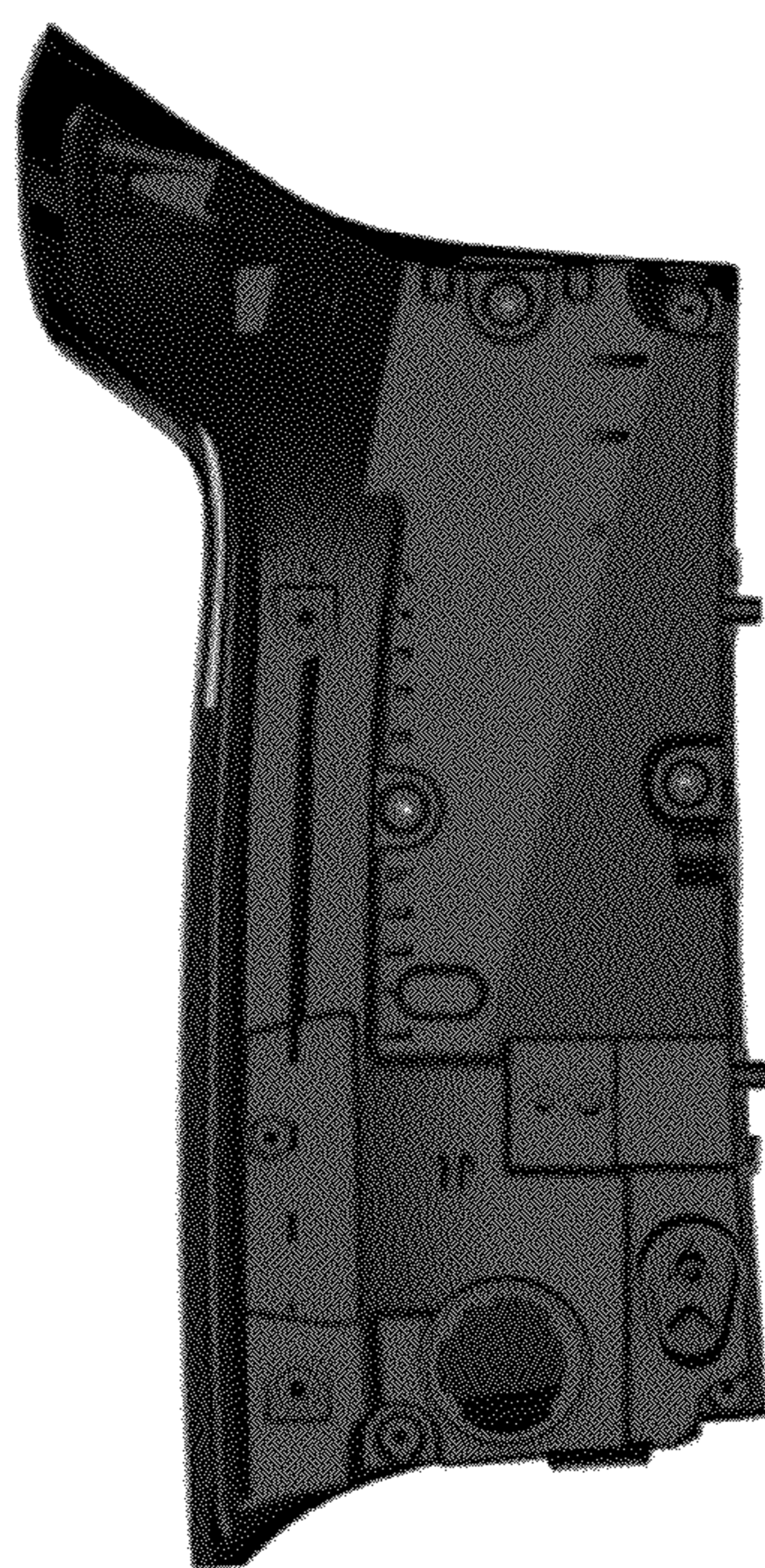


FIG. 10

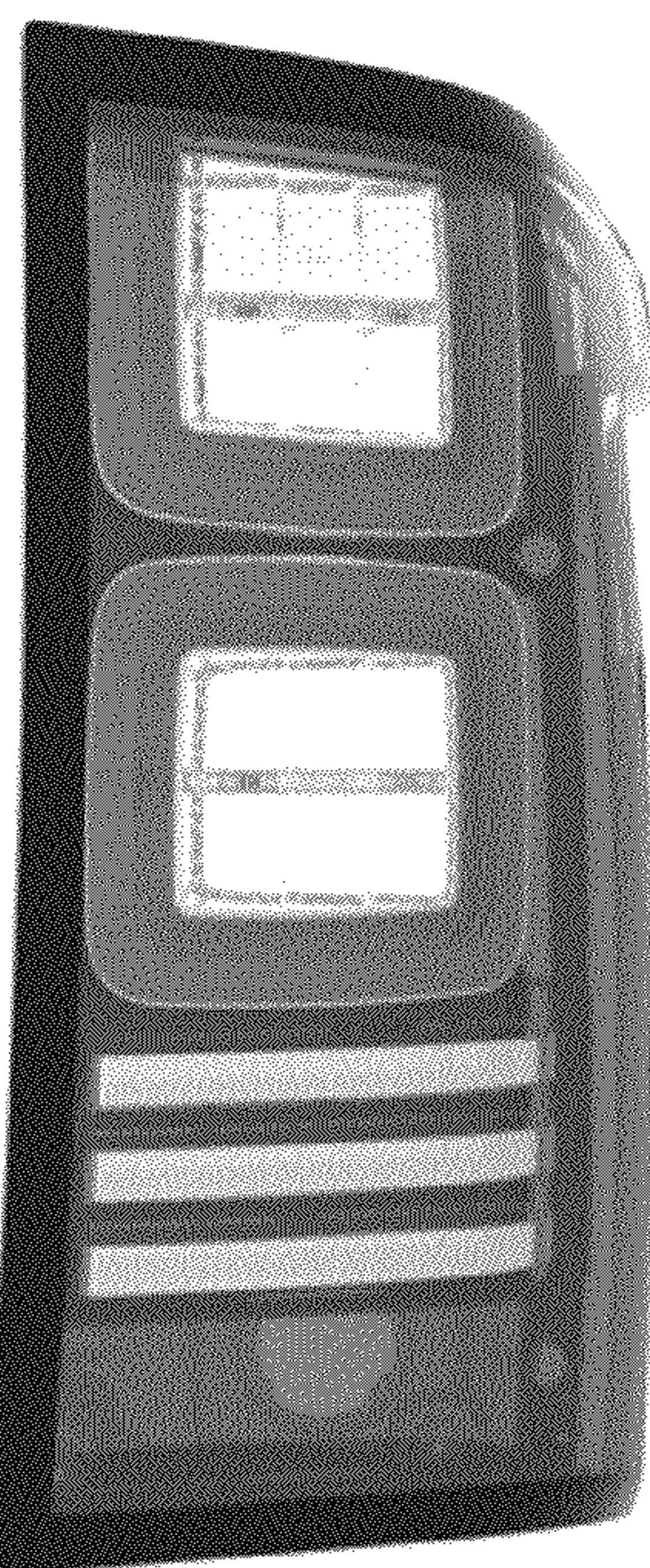


FIG. 11

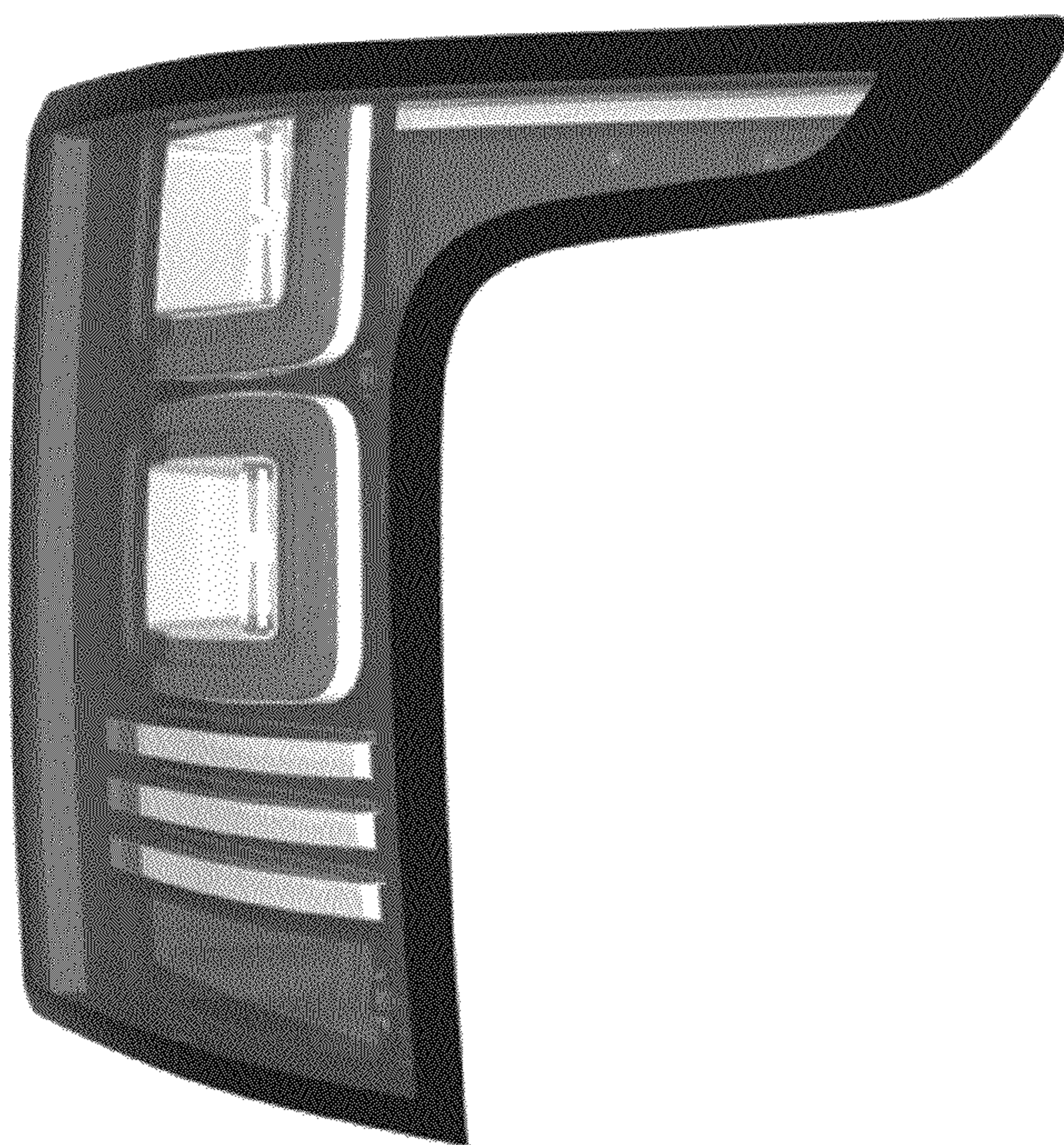


FIG. 12

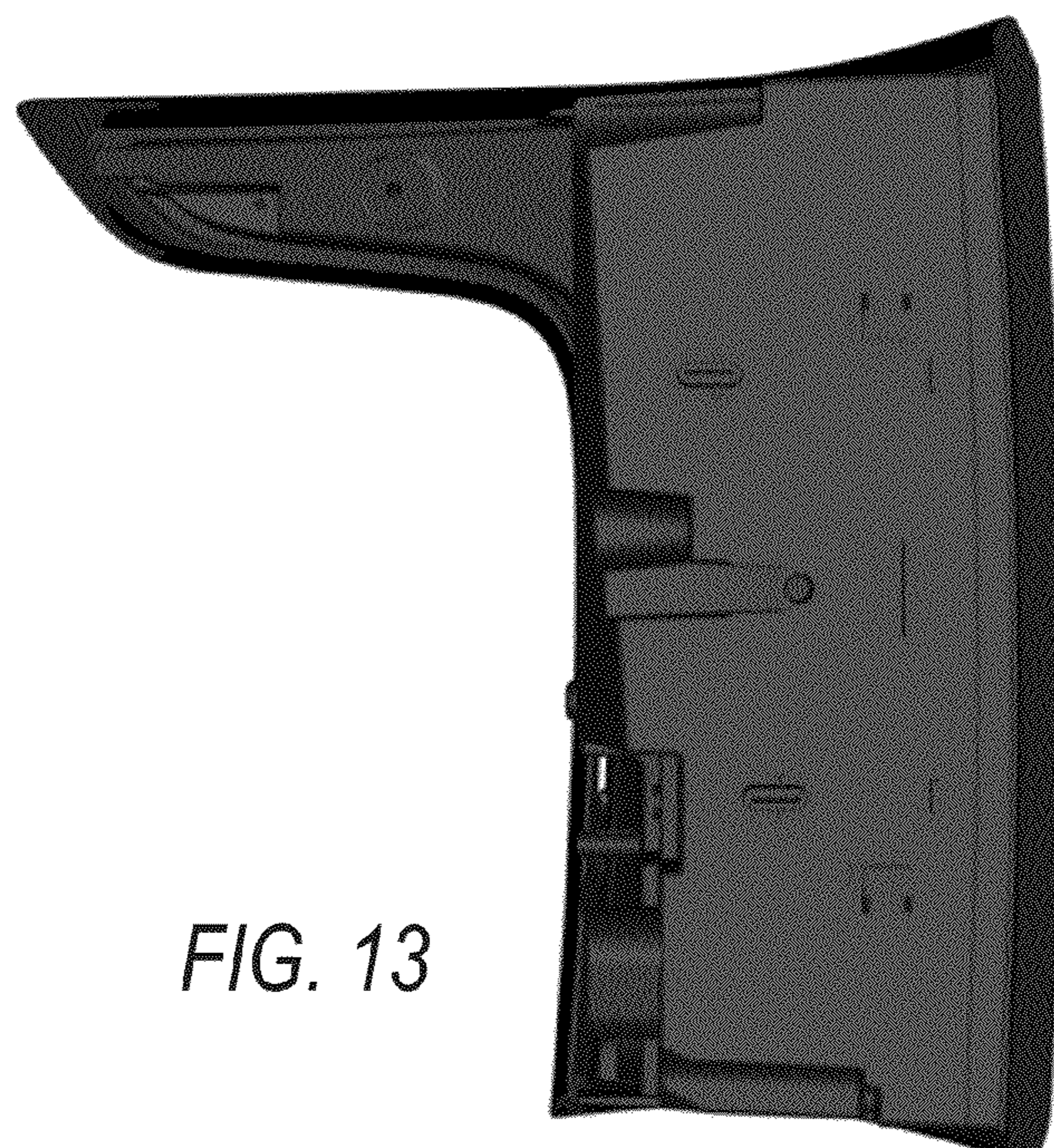


FIG. 13

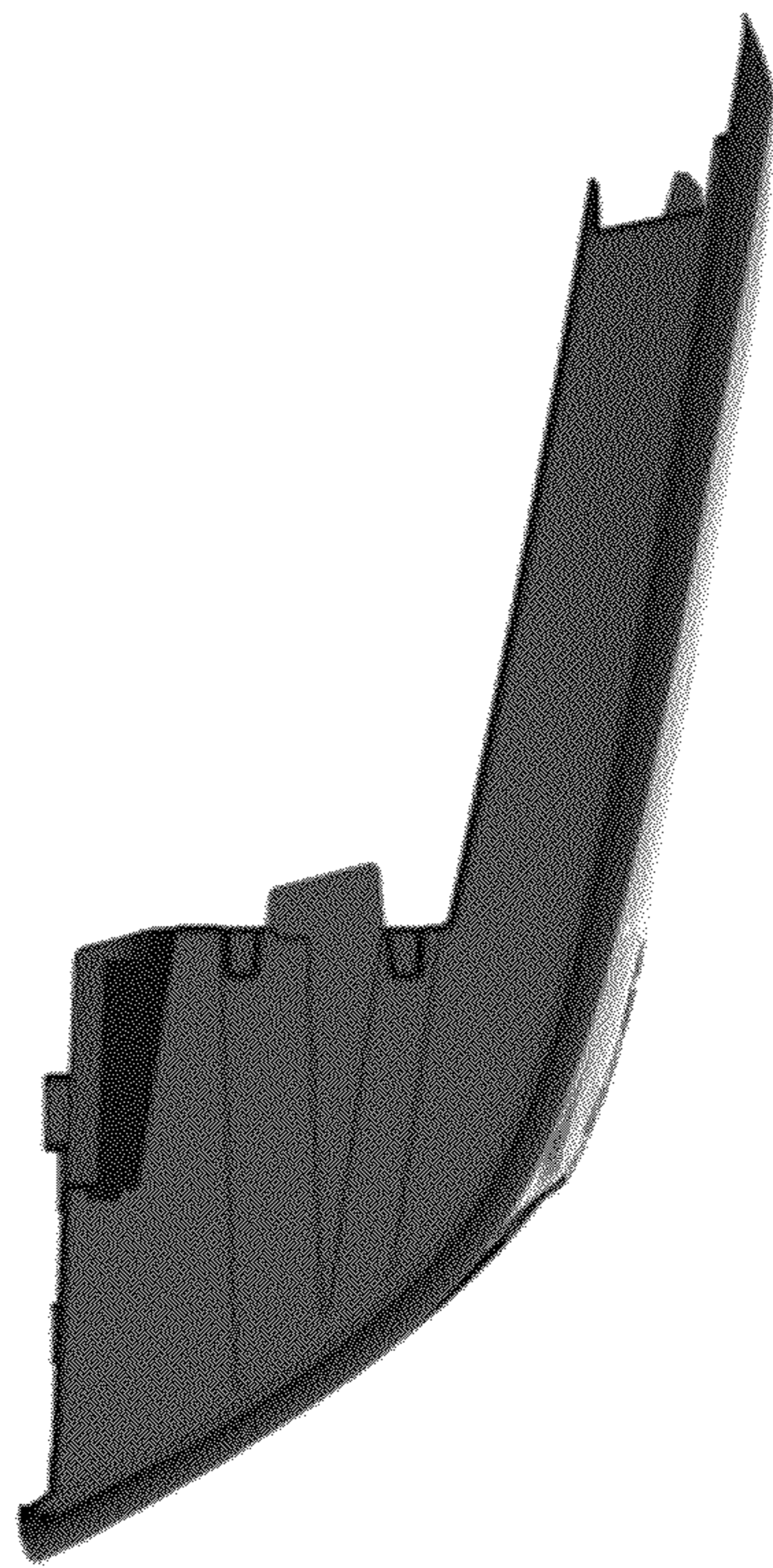


FIG. 14

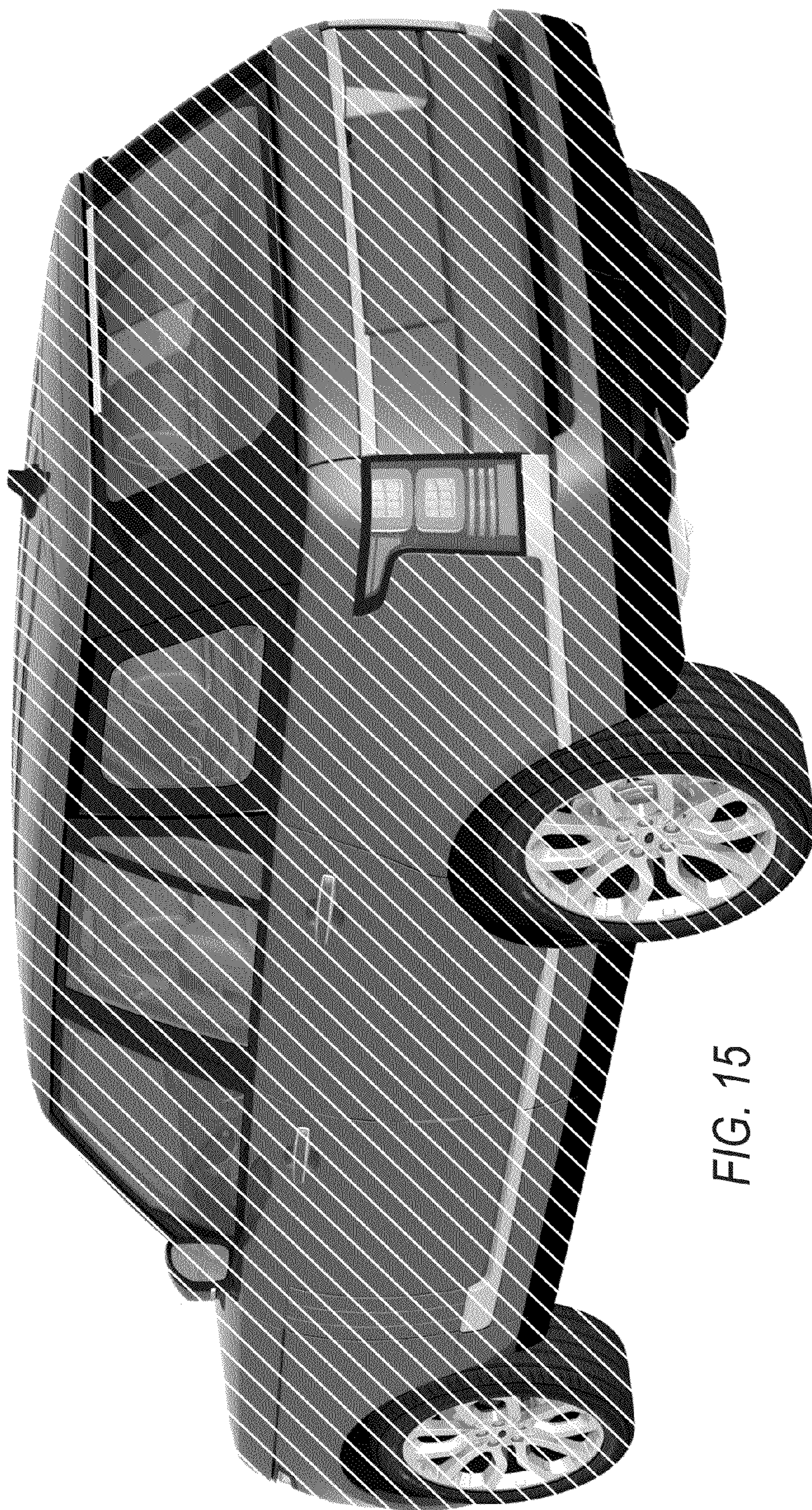


FIG. 15