



US00D737743S

(12) **United States Design Patent**
Duff et al.

(10) **Patent No.:** **US D737,743 S**
(45) **Date of Patent:** **** Sep. 1, 2015**

(54) **VEHICLE HOOD**

(71) Applicant: **GM GLOBAL TECHNOLOGY OPERATIONS LLC**, Detroit, MI (US)
(72) Inventors: **Richard S. Duff**, Warren, MI (US); **Ying He**, Shanghai (CN)
(73) Assignee: **GM GLOBAL TECHNOLOGY OPERATIONS LLC**, Detroit, MI (US)
(**) Term: **14 Years**
(21) Appl. No.: **29/484,368**
(22) Filed: **Mar. 8, 2014**
(51) **LOC (10) Cl.** **12-16**
(52) **U.S. Cl.**
USPC **D12/173**
(58) **Field of Classification Search**
USPC D12/173, 196, 86, 90-92, 181;
180/69.21, 69.2, 69.22
CPC B62D 25/10; B60Q 1/00
See application file for complete search history.

(56) **References Cited**

U.S. PATENT DOCUMENTS

D609,615	S	*	2/2010	Krigger et al.	D12/173
D640,959	S	*	7/2011	Furst	D12/173
D655,227	S	*	3/2012	Hanson et al.	D12/173
D692,812	S	*	11/2013	Harriton	D12/173
D699,643	S	*	2/2014	Chae	D12/173
D703,119	S	*	4/2014	Platto et al.	D12/173
D703,593	S	*	4/2014	Gueler et al.	D12/173
D718,682	S	*	12/2014	McFarlin et al.	D12/173

* cited by examiner

Primary Examiner — Melody Brown

(74) *Attorney, Agent, or Firm* — Parks Wood LLC; Mickki D. Murray

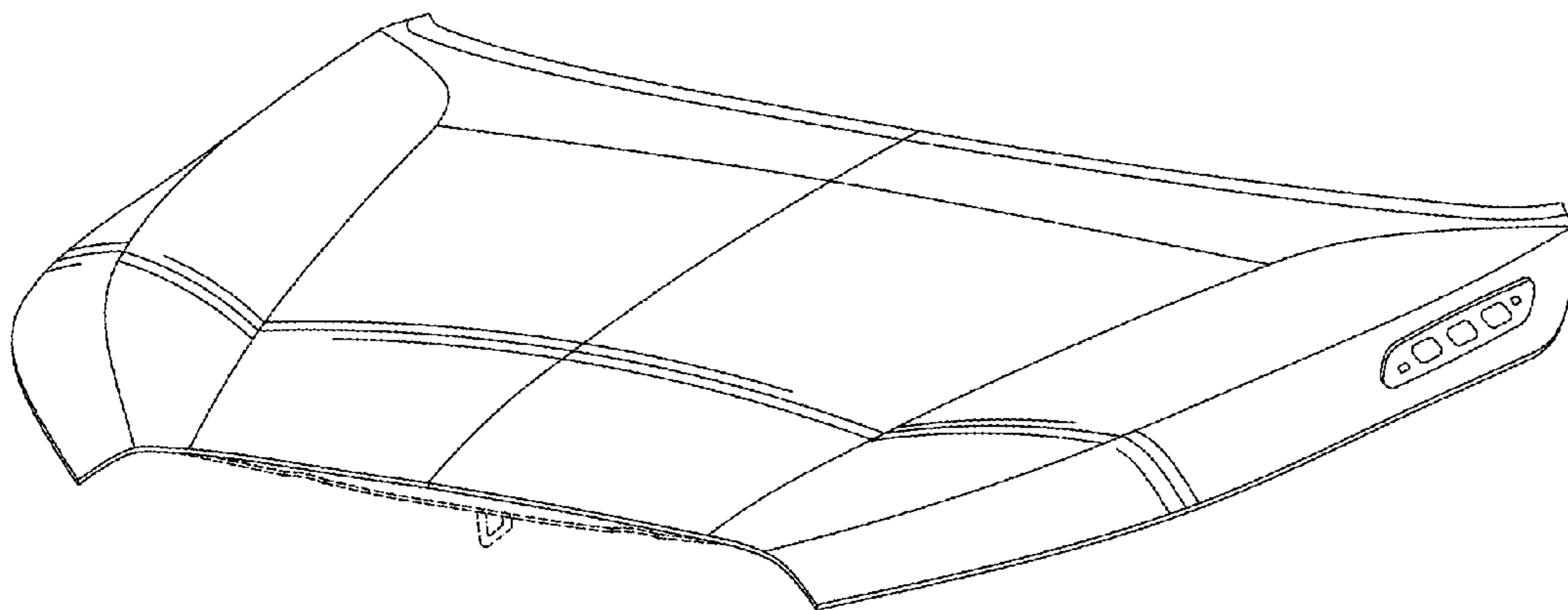
(57) **CLAIM**

The ornamental design for a vehicle hood, as shown and described.

DESCRIPTION

FIG. 1 is a perspective view of a vehicle hood showing the new design;
FIG. 2 is a side elevation view, thereof;
FIG. 3 is a top view thereof; and,
FIG. 4 is a front view thereof.
The broken lines shown in the drawings illustrate portions of the vehicle hood that form no part of claimed design.

1 Claim, 2 Drawing Sheets



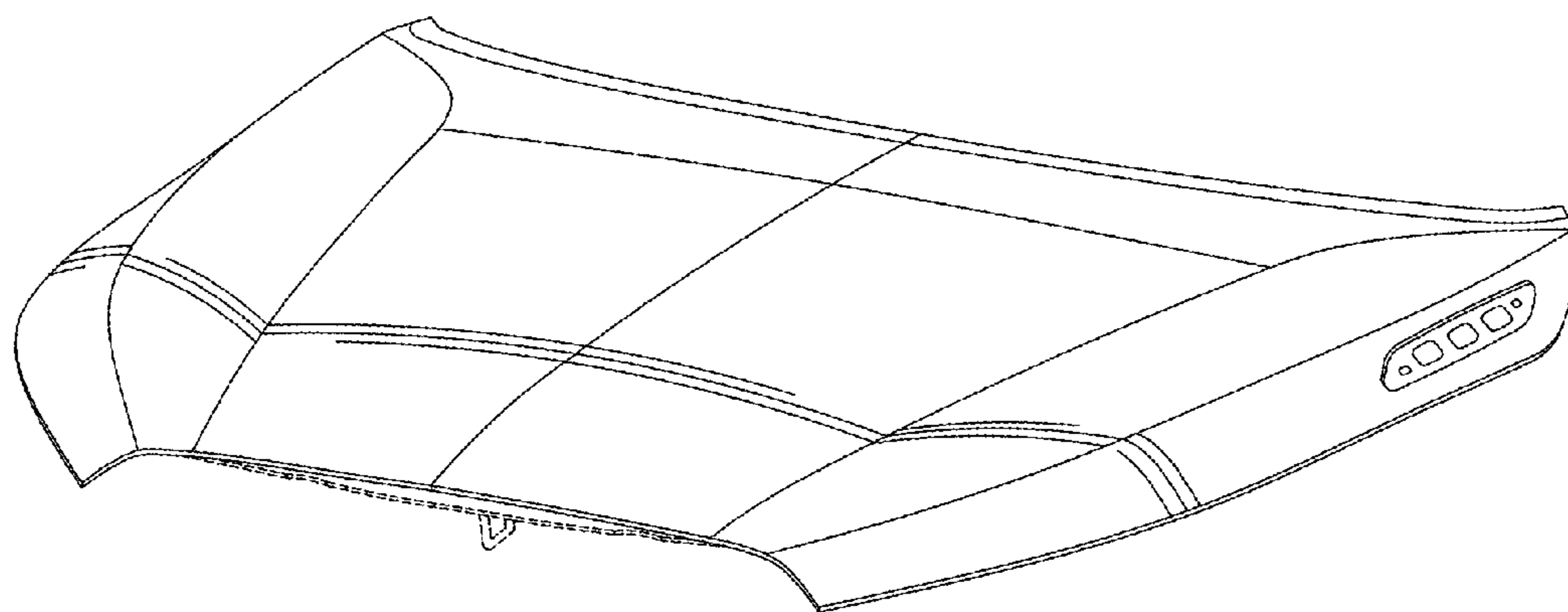


Fig-1

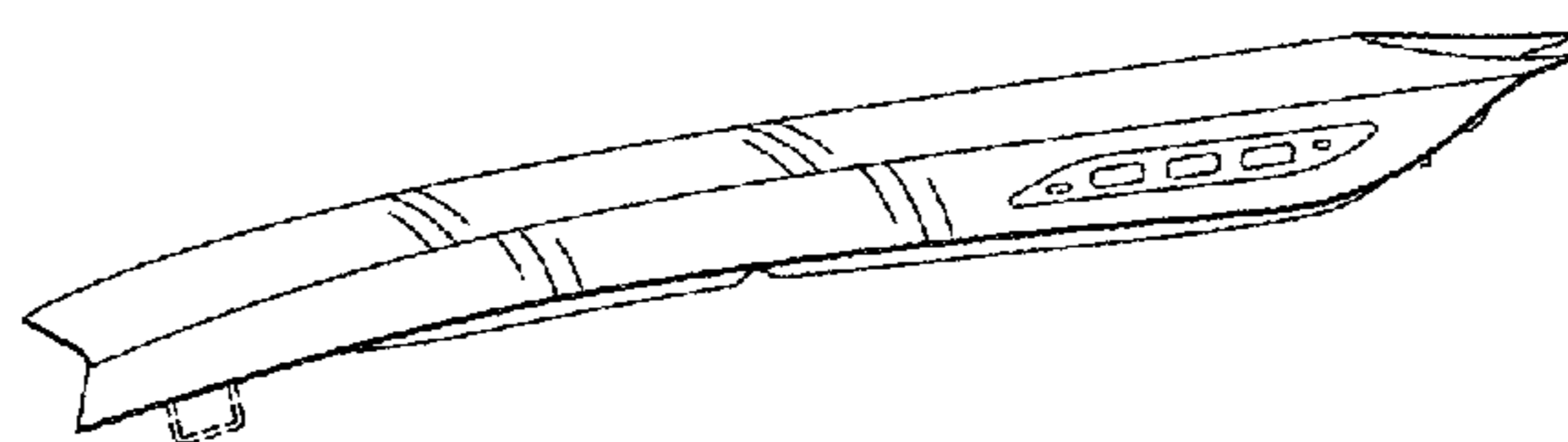


Fig-2

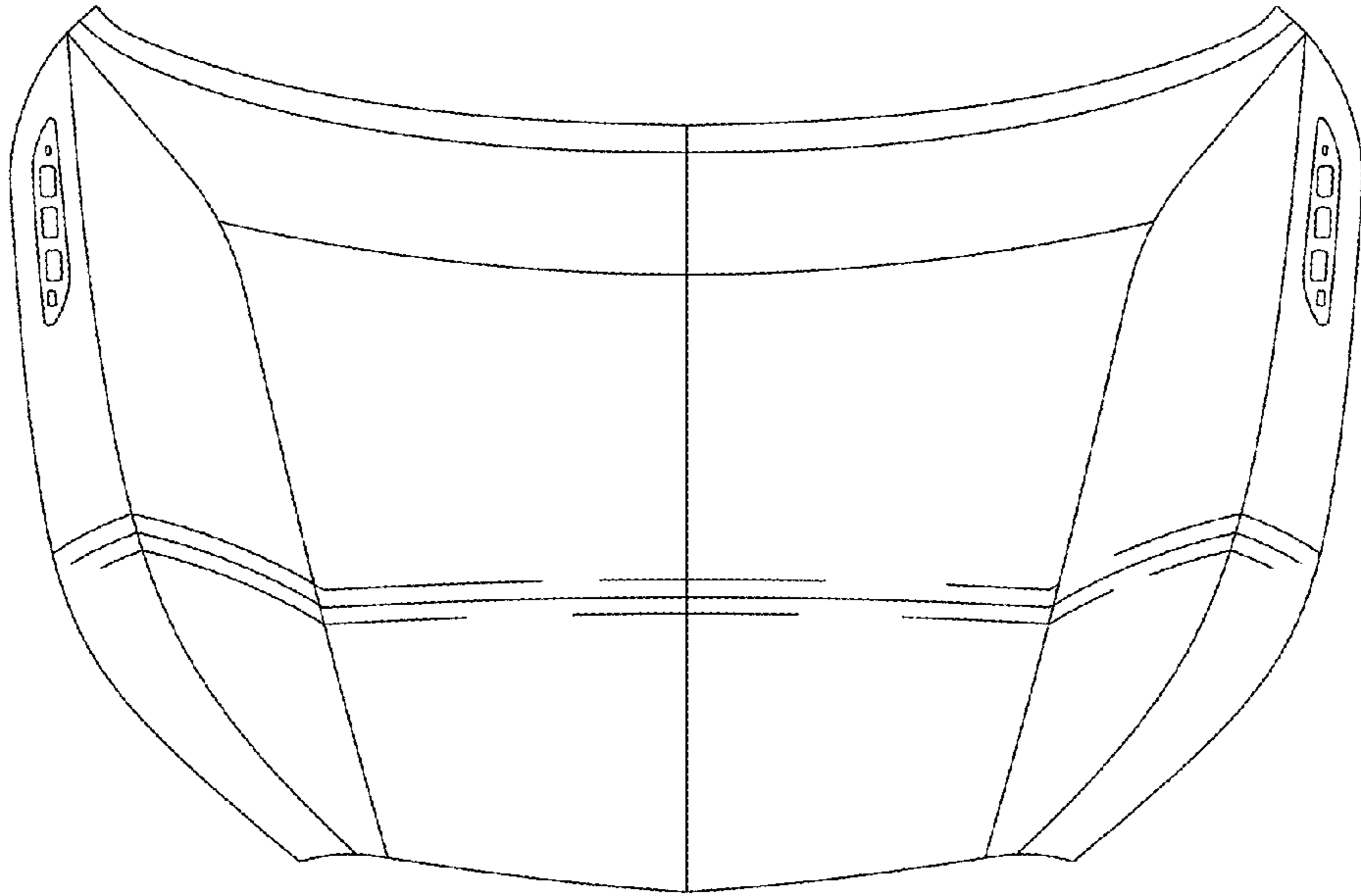


Fig-3

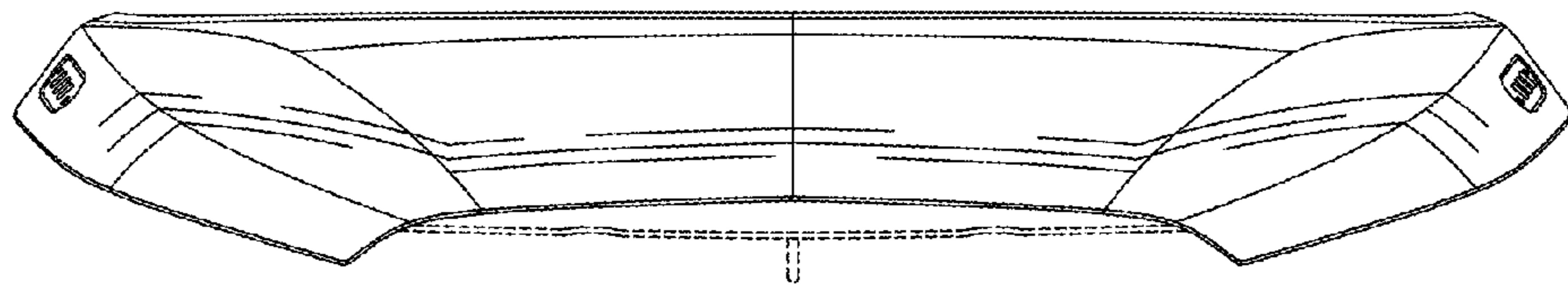


Fig-4