



US00D737742S

(12) **United States Design Patent**  
**Metzger, Jr. et al.**

(10) **Patent No.:** **US D737,742 S**

(45) **Date of Patent:** **\*\* Sep. 1, 2015**

(54) **VEHICLE BUMPER**

(71) Applicant: **Hendrick Motorsports Performance Group, LLC**, Charlotte, NC (US)

(72) Inventors: **Robert J. Metzger, Jr.**, Huntersville, NC (US); **Cody T. Nix**, Pinehurst, NC (US)

(73) Assignee: **Hendrick Motorsports Performance Group, LLC**, Charlotte, NC (US)

(\*\*) Term: **14 Years**

(21) Appl. No.: **29/496,888**

(22) Filed: **Jul. 18, 2014**

(51) **LOC (10) Cl.** ..... **12-16**

(52) **U.S. Cl.**  
USPC ..... **D12/169**

(58) **Field of Classification Search**  
USPC ..... D12/169, 216, 90-93, 86, 171, 196,  
D12/163, 96; 293/102, 113, 115, 117, 120;  
296/180.1, 180.2  
CPC ..... B60R 19/02; B60R 19/04; B62D 25/08;  
B60K 11/08  
See application file for complete search history.

(56) **References Cited**

**U.S. PATENT DOCUMENTS**

D516,971 S \* 3/2006 Hess ..... D12/169  
D584,664 S \* 1/2009 Johnson et al. .... D12/169

D584,665 S \* 1/2009 Johnson et al. .... D12/169  
7,810,857 B2 \* 10/2010 Schutt ..... 293/102  
D669,827 S \* 10/2012 Svensson et al. .... D12/169  
D688,993 S \* 9/2013 Campbell et al. .... D12/169  
D699,640 S \* 2/2014 Duderstadt ..... D12/169  
8,740,268 B2 \* 6/2014 Ebara et al. .... 293/102  
8,746,761 B2 \* 6/2014 Haneda et al. .... 293/102  
D725,008 S \* 3/2015 Peltola et al. .... D12/169

\* cited by examiner

*Primary Examiner* — Melody N Brown

(74) *Attorney, Agent, or Firm* — Nelson Mullins Riley & Scarborough LLP

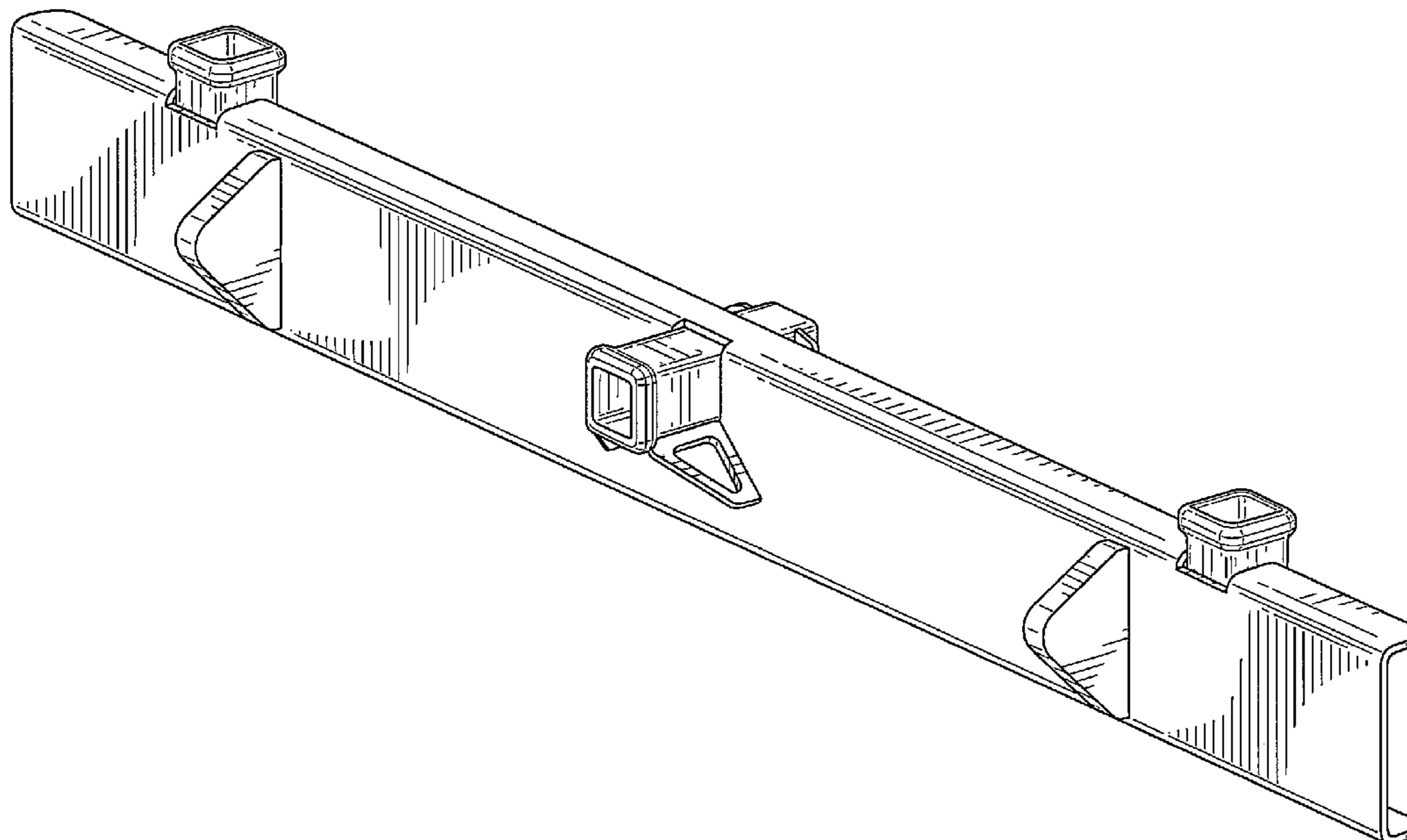
(57) **CLAIM**

The ornamental design for a vehicle bumper, as shown and described.

**DESCRIPTION**

FIG. 1 is a front perspective view of a vehicle bumper showing my new design;  
FIG. 2 is a rear perspective view thereof;  
FIG. 3 is a front elevational view thereof;  
FIG. 4 is a rear elevational view thereof;  
FIG. 5 is a right side elevational view thereof;  
FIG. 6 is a left side elevational view thereof;  
FIG. 7 is a top plan view thereof; and,  
FIG. 8 is a bottom plan view thereof.

**1 Claim, 6 Drawing Sheets**



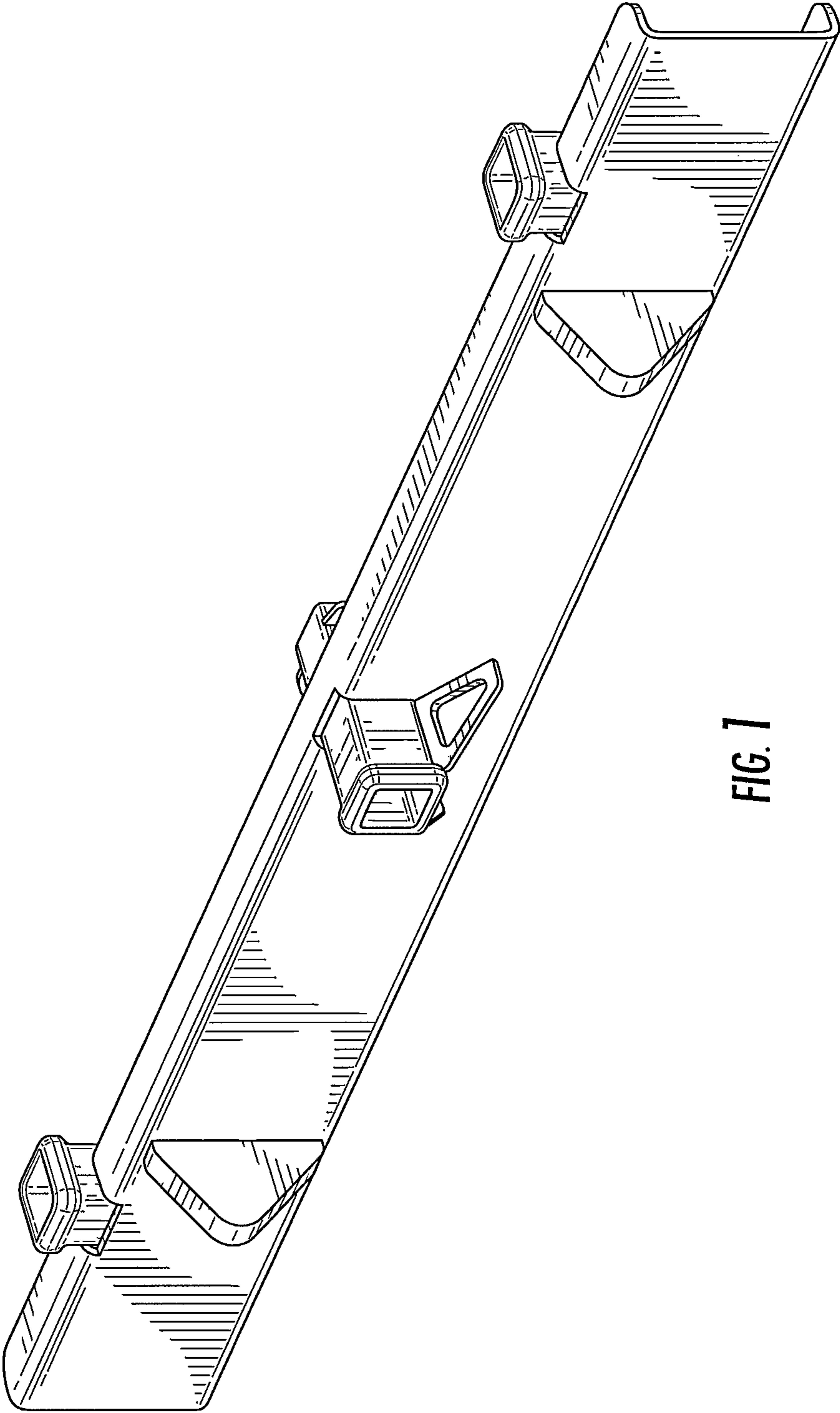


FIG. 1

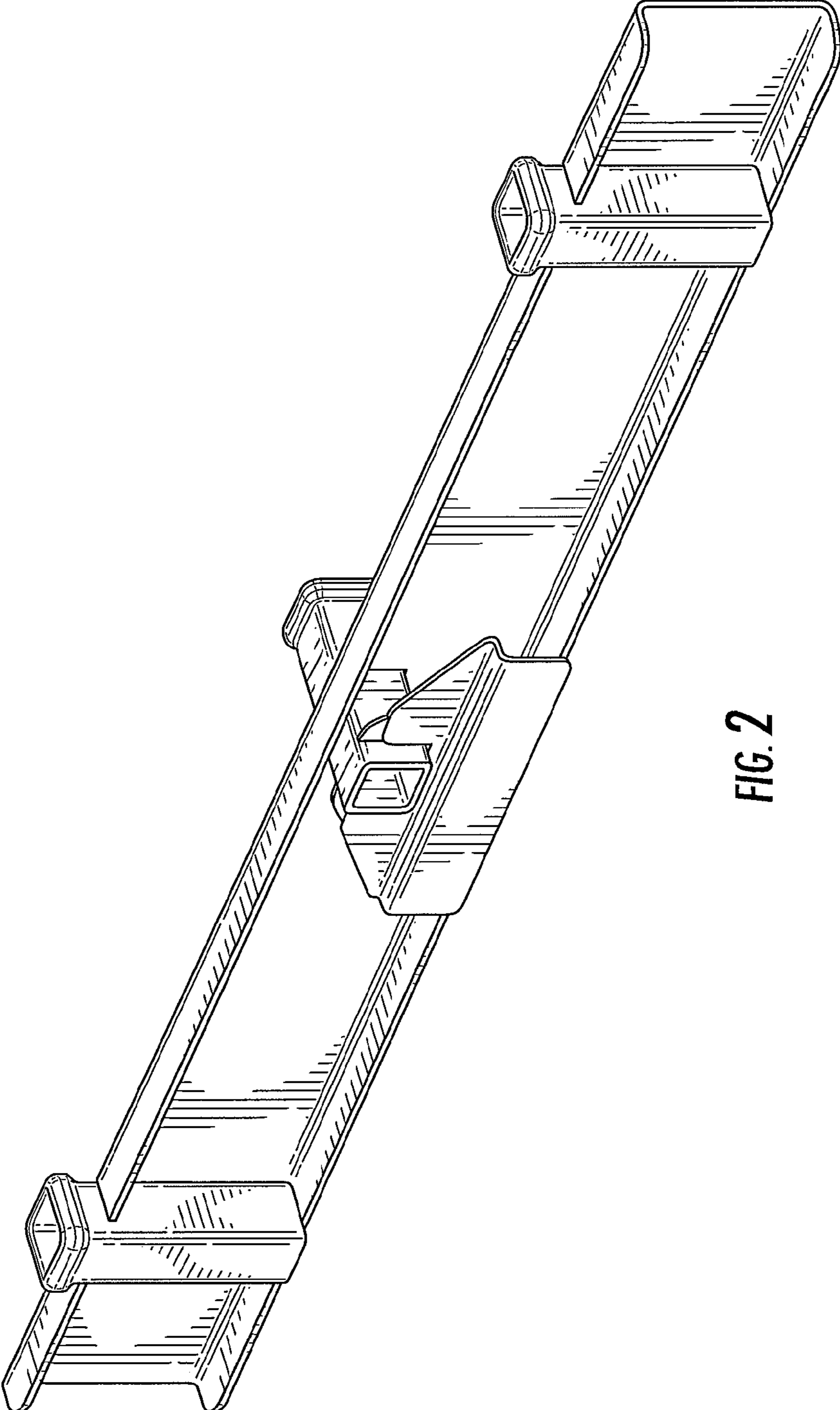


FIG. 2

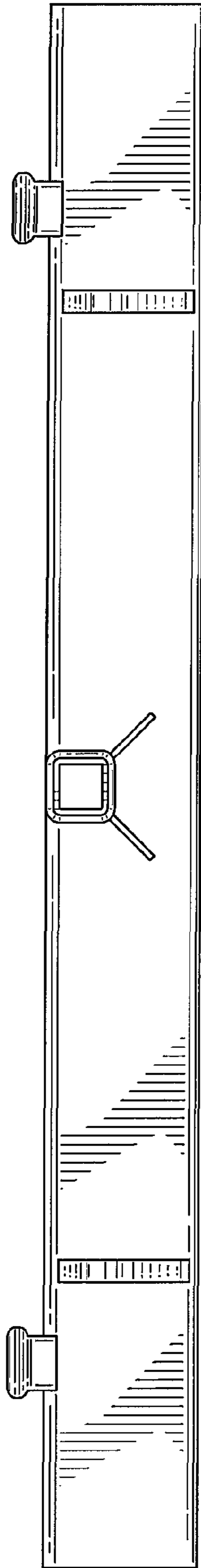


FIG. 3

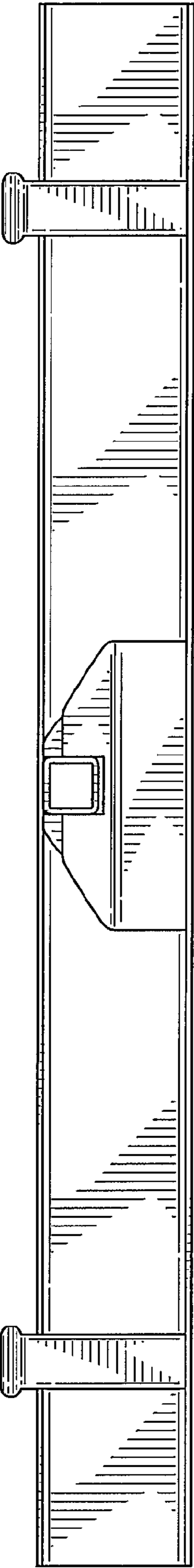
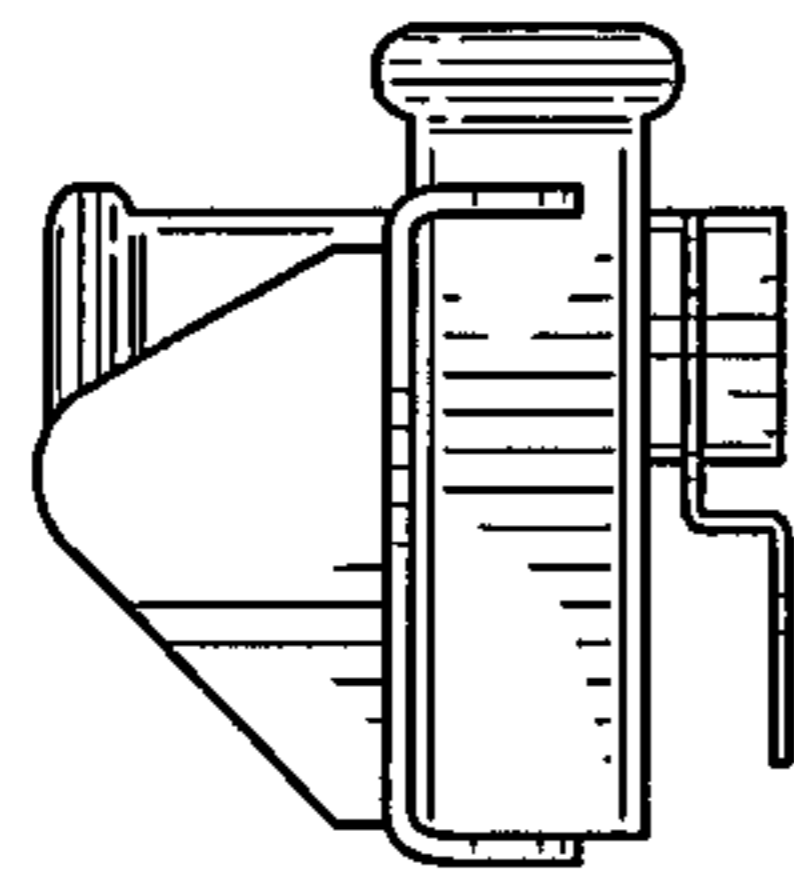
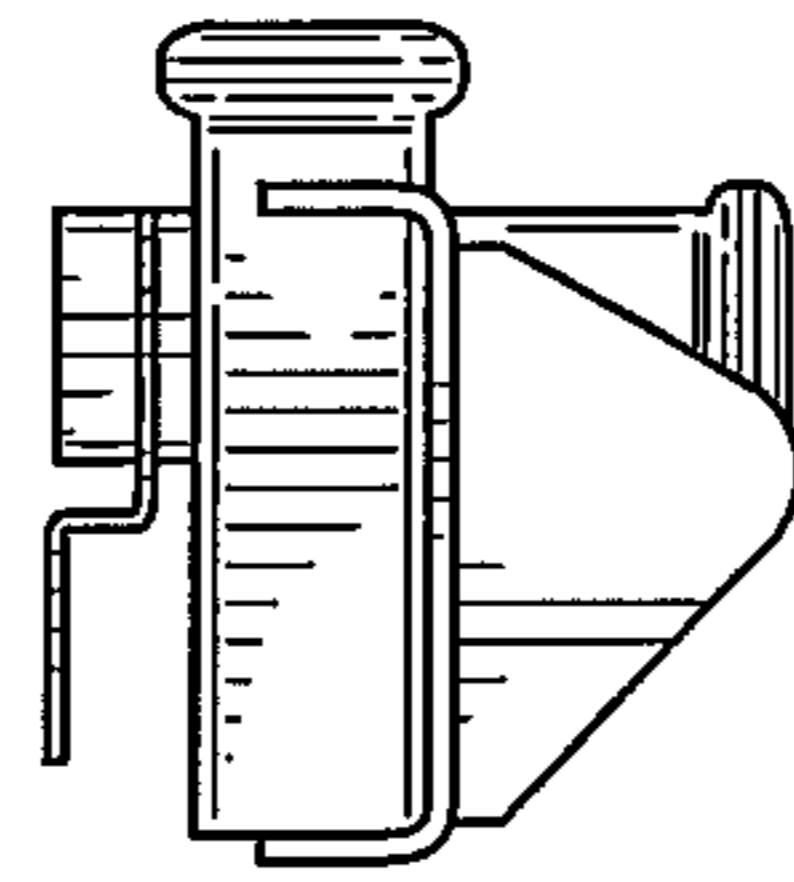


FIG. 4



**FIG. 5**



**FIG. 6**

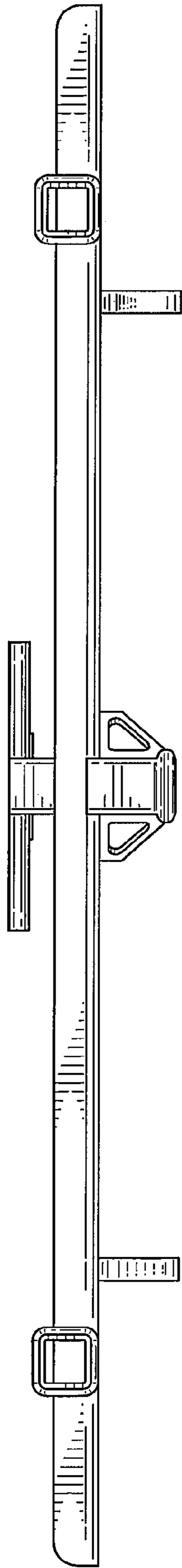


FIG. 7

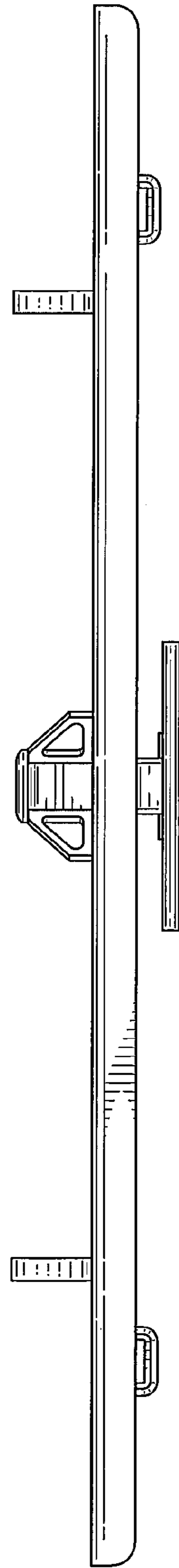


FIG. 8