



US00D737741S

(12) **United States Design Patent**
Goepfel

(10) **Patent No.:** **US D737,741 S**

(45) **Date of Patent:** **** Sep. 1, 2015**

(54) **REAR BUMPER FOR A VEHICLE**

(56) **References Cited**

(71) Applicant: **Bayerische Motoren Werke**
Aktiengesellschaft, Munich (DE)

(72) Inventor: **Stefan Goepfel, Munich (DE)**

(73) Assignee: **Bayerische Motoren Werke**
Aktiengesellschaft, Munich (DE)

(**) Term: **14 Years**

(21) Appl. No.: **29/489,248**

(22) Filed: **Apr. 29, 2014**

(30) **Foreign Application Priority Data**

Oct. 31, 2013 (DE) 40 2013 101 079

(51) **LOC (10) Cl.** **12-16**

(52) **U.S. Cl.**
USPC **D12/169**

(58) **Field of Classification Search**
USPC D12/169, 216, 90-92, 86, 171, 196,
D12/163; 293/102, 113, 115, 117, 120;
296/180.1, 180.2
CPC B60R 19/02; B60R 19/04; B62D 25/08
See application file for complete search history.

U.S. PATENT DOCUMENTS

| | | | |
|--------------|---------|----------------------|---------|
| D583,730 S * | 12/2008 | Tonello | D12/169 |
| D584,199 S * | 1/2009 | Leclercq | D12/169 |
| D619,513 S * | 7/2010 | Miyazawa | D12/169 |
| D675,550 S * | 2/2013 | Hamilton et al. | D12/169 |
| D681,517 S * | 5/2013 | Giachin | D12/169 |
| D693,279 S * | 11/2013 | Dunkel | D12/169 |

* cited by examiner

Primary Examiner — Melody N Brown

(74) *Attorney, Agent, or Firm* — Crowell & Moring LLP

(57) **CLAIM**

The ornamental design for a rear bumper for a vehicle, as shown and described.

DESCRIPTION

This application contains subject matter related to the following co-pending U.S. design patent application: Application Ser. No. 29/489,251, filed herewith and entitled "rear bumper for a vehicle".

FIG. 1 is a front view of a rear bumper for a vehicle according to the design;

FIG. 2 is a left perspective view thereof;

FIG. 3 is a right perspective view thereof;

FIG. 4 is a left side view thereof;

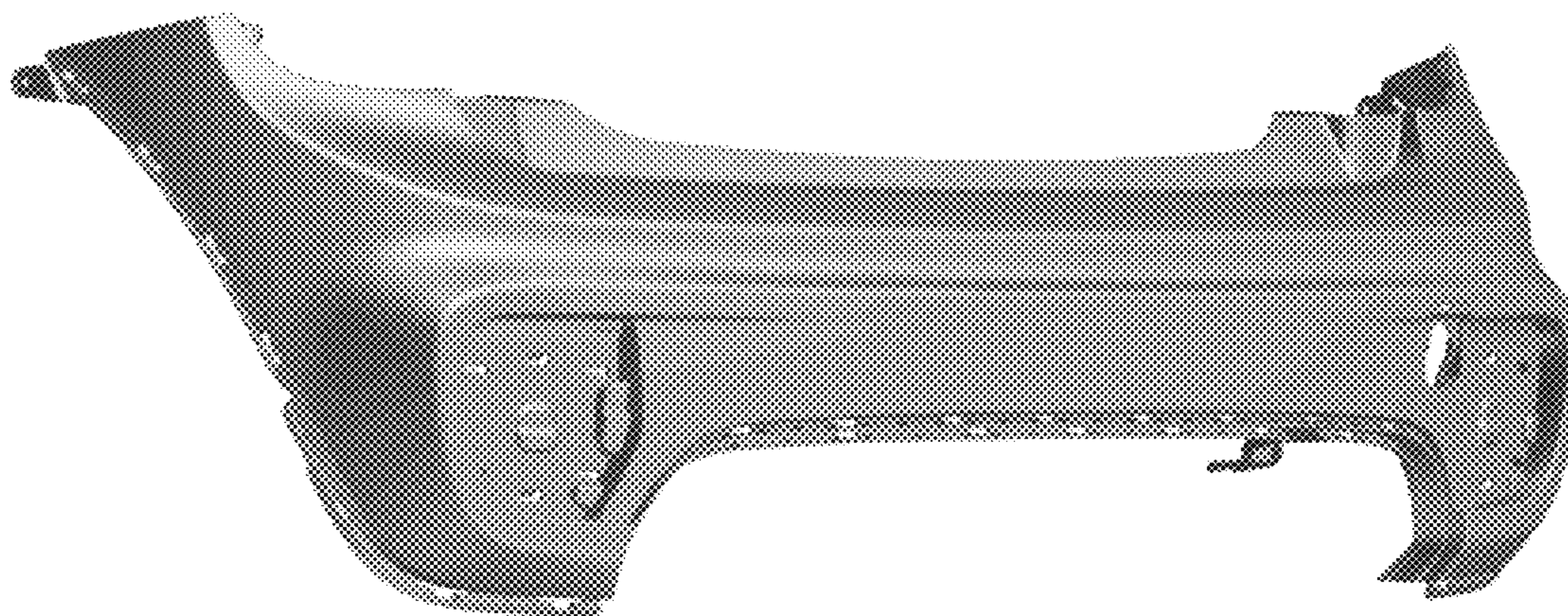
FIG. 5 is a right side view thereof;

FIG. 6 is a top view thereof;

FIG. 7 is a bottom view thereof; and,

FIG. 8 is a rear view thereof.

1 Claim, 8 Drawing Sheets



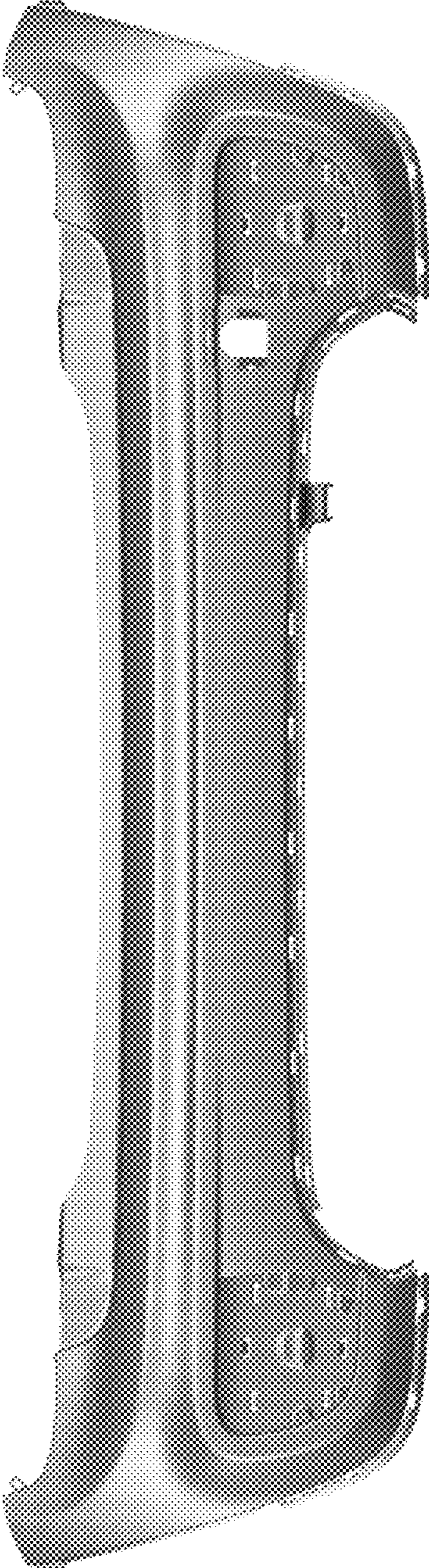


Fig. 1

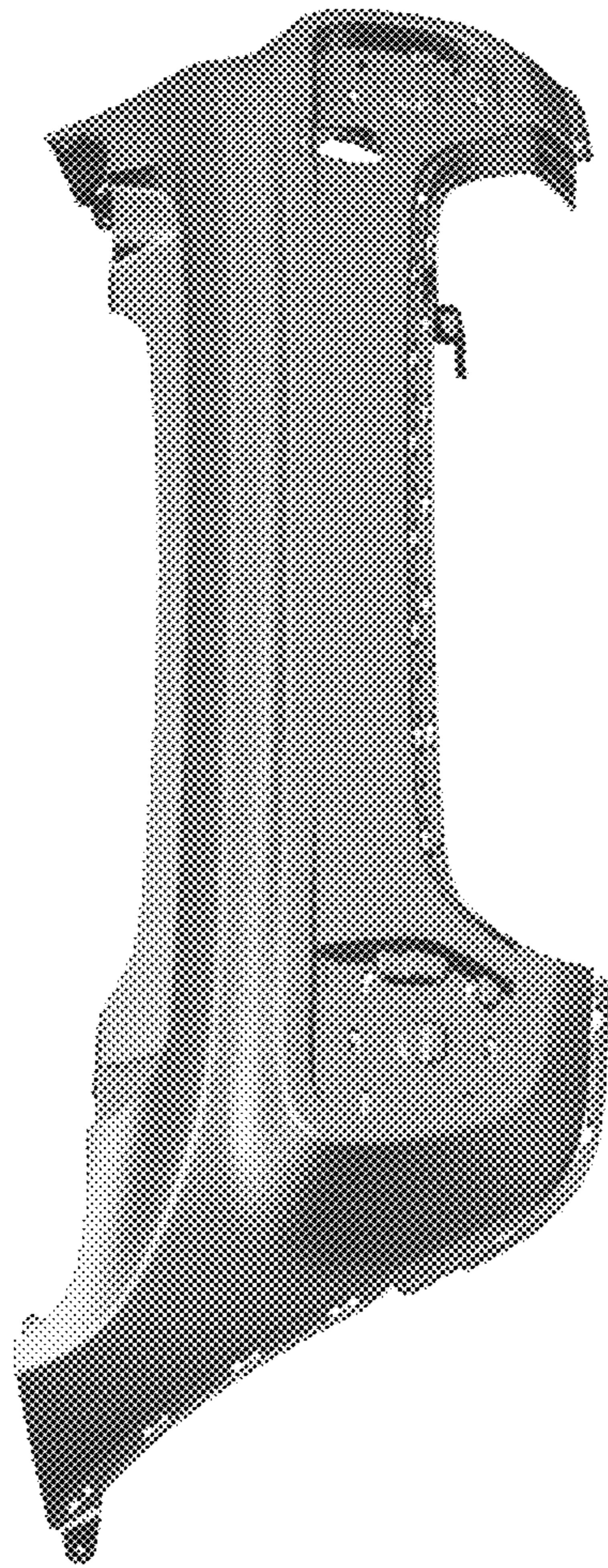


Fig. 2

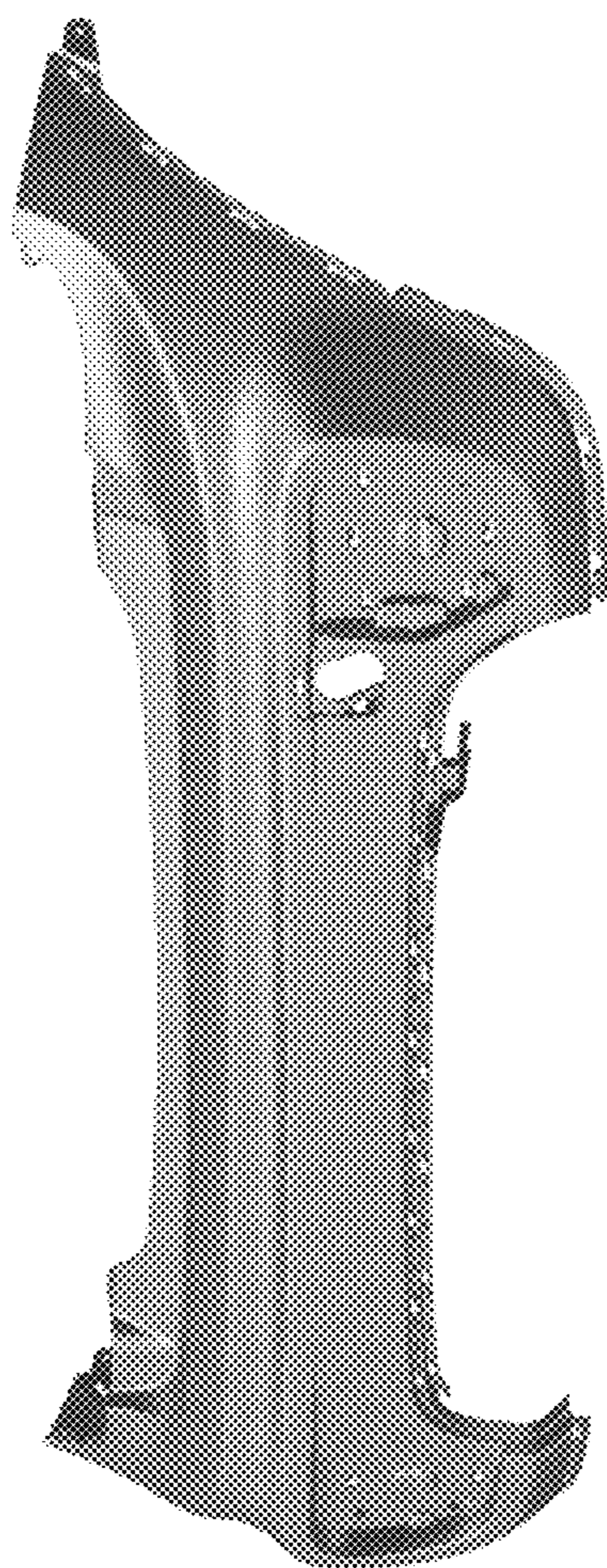


Fig. 3

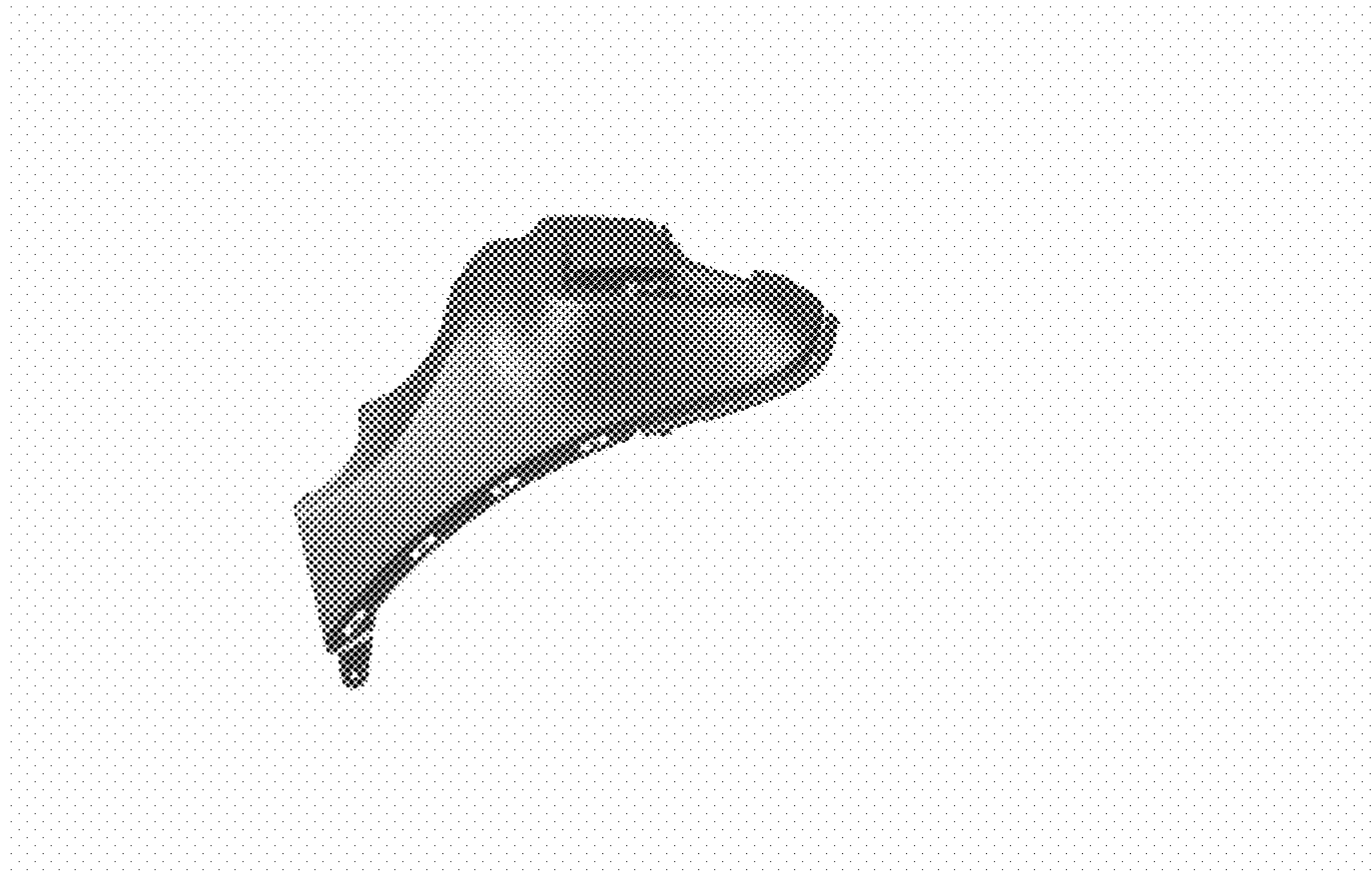


Fig. 4

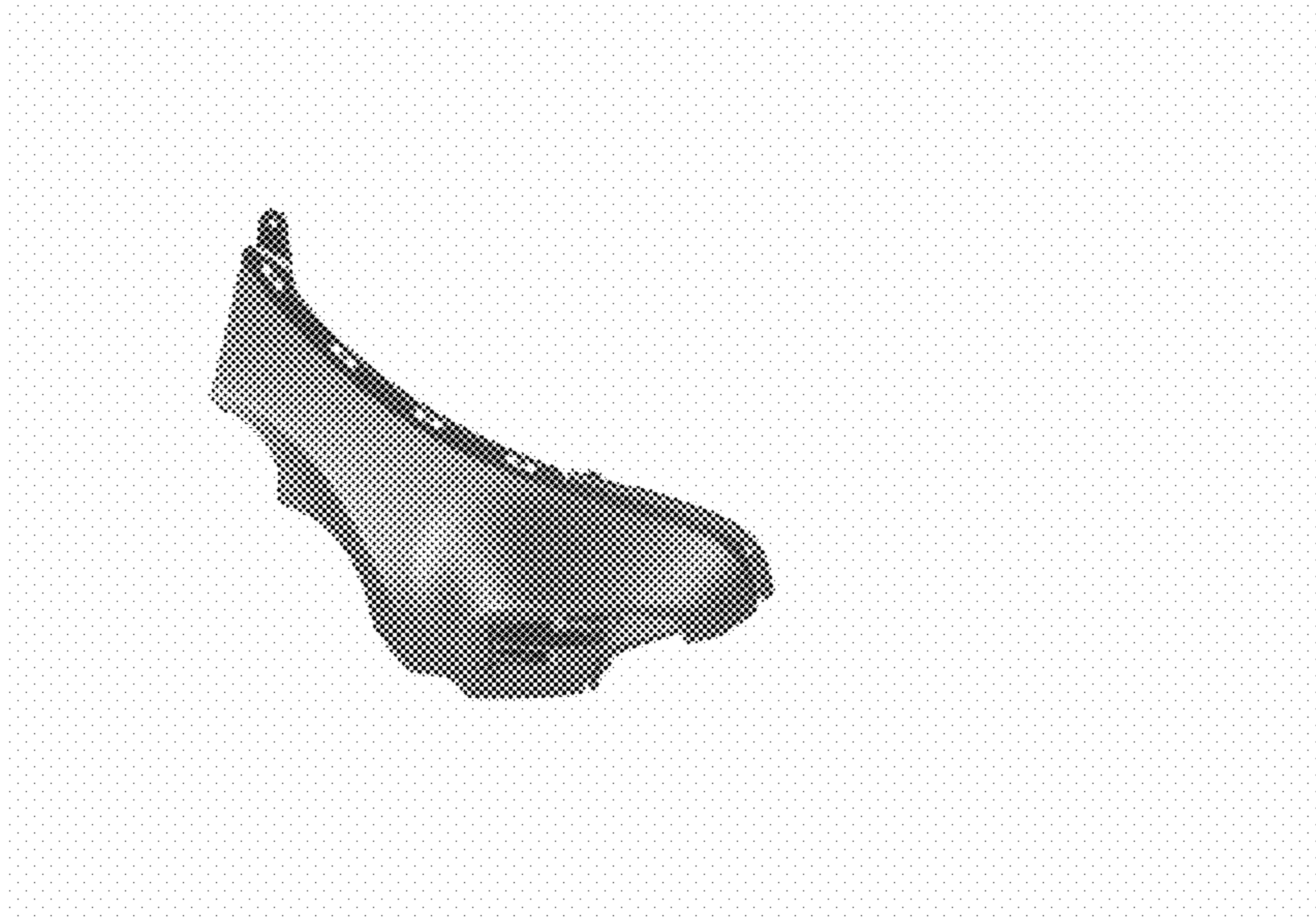


Fig. 5

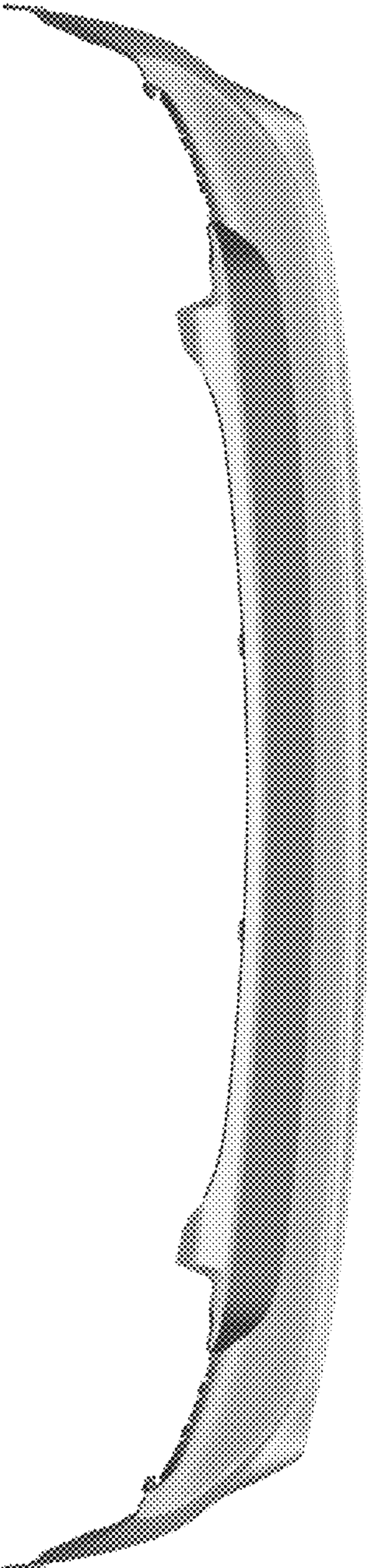


Fig. 6

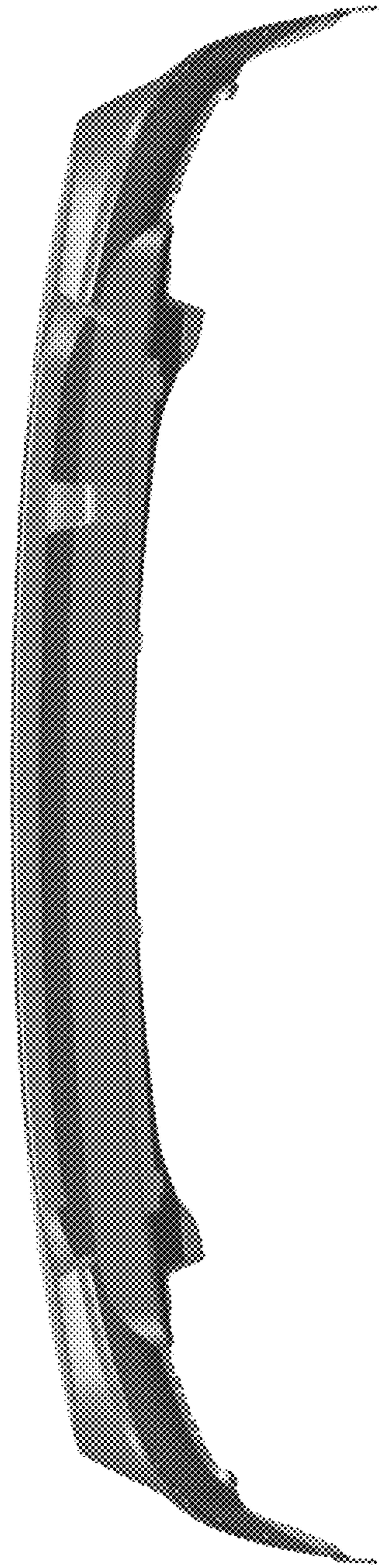


Fig. 7

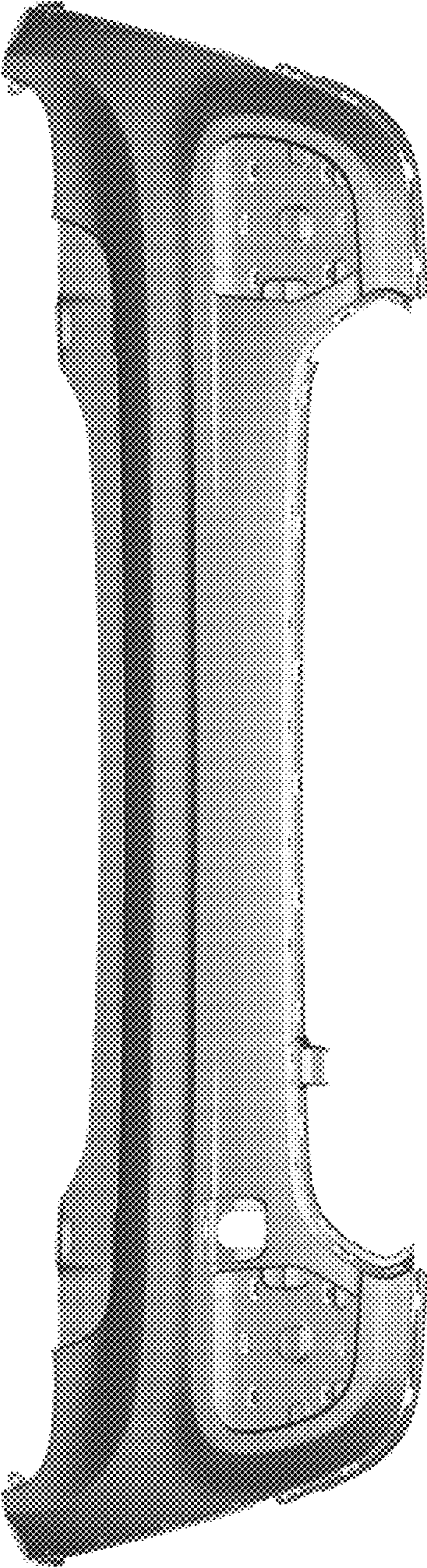


Fig. 8