



US00D737739S

(12) **United States Design Patent**
Hanson et al.

(10) **Patent No.:** **US D737,739 S**
(45) **Date of Patent:** **** Sep. 1, 2015**

- (54) **BUMPER**
- (71) Applicant: **Caterpillar Inc.**, Peoria, IL (US)
- (72) Inventors: **Eric Hanson**, Valparaiso, IN (US); **G. L. Pabst**, Davisburg, MI (US); **Curt Wilson**, Naperville, IL (US)
- (73) Assignee: **Caterpillar Inc.**, Peoria, IL (US)
- (**) Term: **14 Years**

D619,049	S	7/2010	Beigel et al.	
D623,091	S	9/2010	Beigel et al.	
D623,092	S	9/2010	Beigel et al.	
D632,224	S	2/2011	Peltola et al.	
D653,994	S	2/2012	Fukushima et al.	
D654,836	S *	2/2012	Rao	D12/169
8,322,763	B2 *	12/2012	Tejler et al.	293/155
8,408,608	B2	4/2013	Wilkens et al.	
D685,294	S	7/2013	Hanson et al.	
8,540,307	B2 *	9/2013	Cunagin	296/193.09
D725,008	S *	3/2015	Peltola et al.	D12/169
2010/0181786	A1 *	7/2010	Tejler et al.	293/130
2011/0285152	A1 *	11/2011	Kwon et al.	293/102

- (21) Appl. No.: **29/486,954**
- (22) Filed: **Apr. 4, 2014**
- (51) **LOC (10) Cl.** **12-16**
- (52) **U.S. Cl.**
USPC **D12/169**
- (58) **Field of Classification Search**
USPC D12/169, 216, 90-92, 86, 171, 196,
D12/163; 293/102, 113, 115, 117, 120, 155;
296/180.1, 180.2
CPC B60R 19/02; B60R 19/04; B62D 25/08
See application file for complete search history.

OTHER PUBLICATIONS

U.S. Appl. No. 61/975,114; Tilting Hood Assembly Having Fender-Mounted Handle; Eric Hanson et al.; filed Apr. 4, 2014.
U.S. Appl. No. 14/274,196; Tilting Hood Assembly Having Fender-Mounted Handle; Eric Hanson et al; filed May 9, 2014.

* cited by examiner

Primary Examiner — Melody N Brown
(74) *Attorney, Agent, or Firm* — Finnegan, Henderson, Farabow, Garrett & Dunner, LLP

(56) **References Cited**

U.S. PATENT DOCUMENTS

D286,031	S	10/1986	Breitschwerdt et al.	
4,813,736	A	3/1989	Schubert et al.	
4,950,010	A *	8/1990	Denny	293/117
5,308,134	A *	5/1994	Stanesic	296/91
D348,705	S *	7/1994	Onopa	D12/181
D381,946	S *	8/1997	Delashaw et al.	D12/167
D406,552	S *	3/1999	Hellhake et al.	D12/93
5,984,037	A	11/1999	Duhem	
D458,565	S *	6/2002	Maher et al.	D12/169
D467,202	S	12/2002	Mondragon Sarmiento et al.	
D483,707	S *	12/2003	Satou	D12/169
6,666,291	B2	12/2003	Hyslop et al.	
D584,664	S *	1/2009	Johnson et al.	D12/169
D584,665	S *	1/2009	Johnson et al.	D12/169

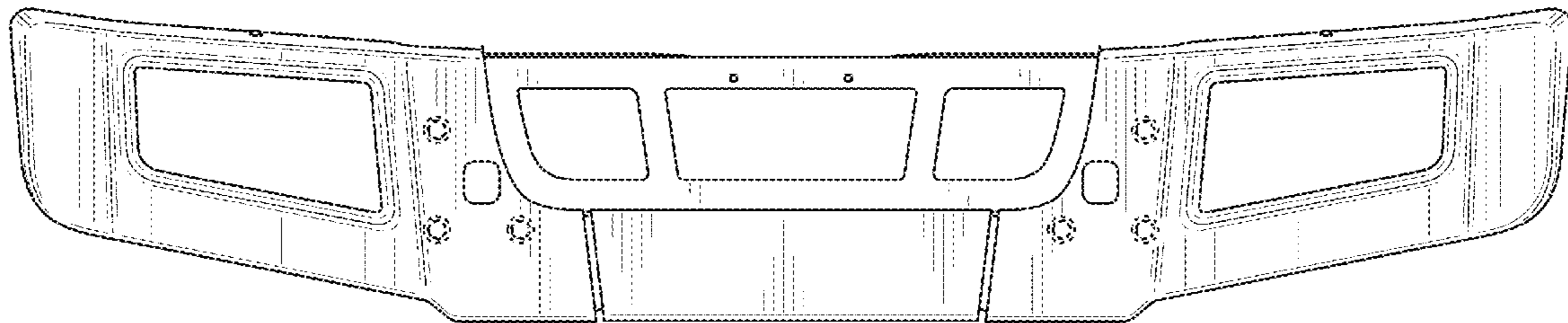
CLAIM

(57) The ornamental design for a bumper, as shown and described.

DESCRIPTION

FIG. 1 is an enlarged front left perspective view of a bumper showing our new design;
FIG. 2 is a front elevation view thereof;
FIG. 3 is a rear elevation view thereof;
FIG. 4 is a left side view thereof;
FIG. 5 is a right side view thereof;
FIG. 6 is a top plan view thereof; and,
FIG. 7 is a bottom view thereof.
The broken lines shown in the drawings illustrate portions of the bumper that form no part of the claimed design.

1 Claim, 6 Drawing Sheets



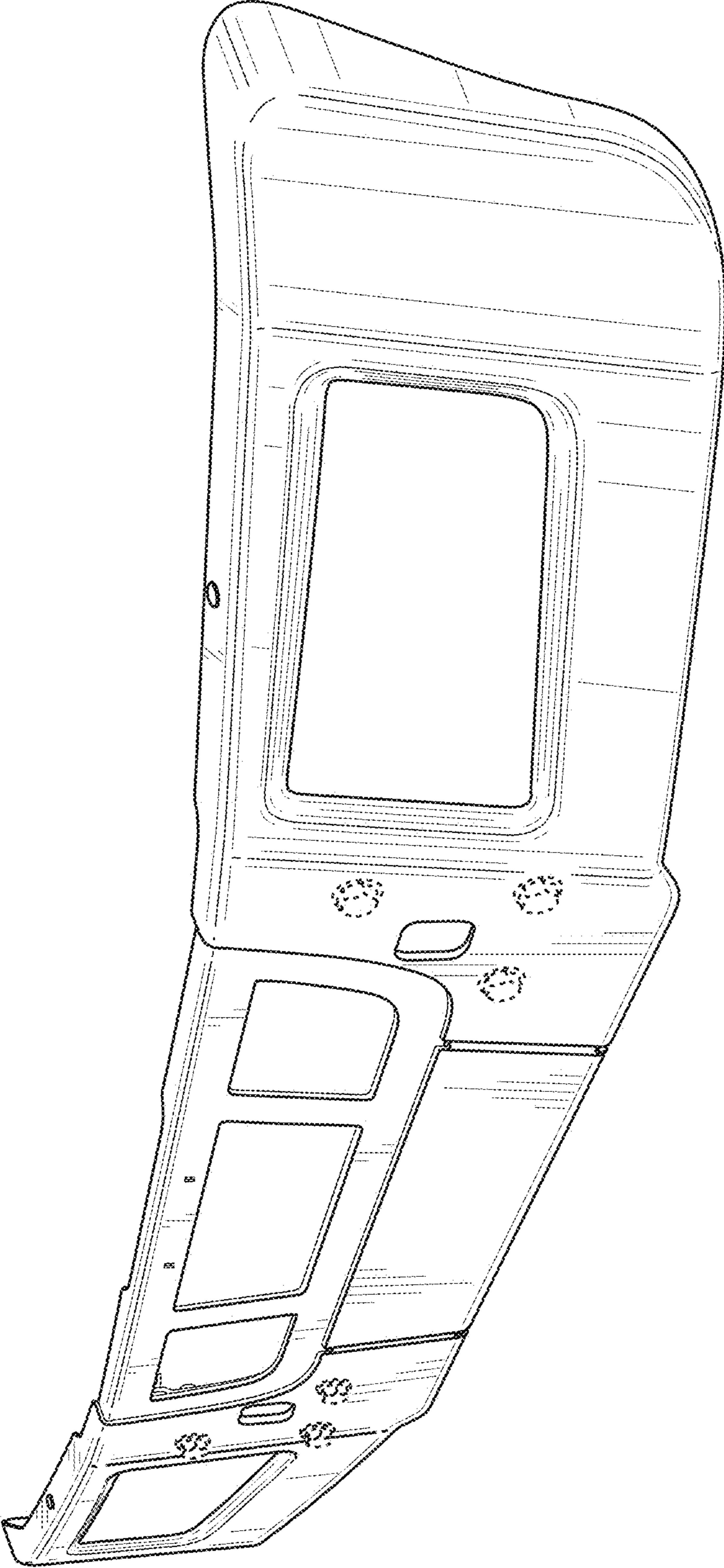


FIG. 1

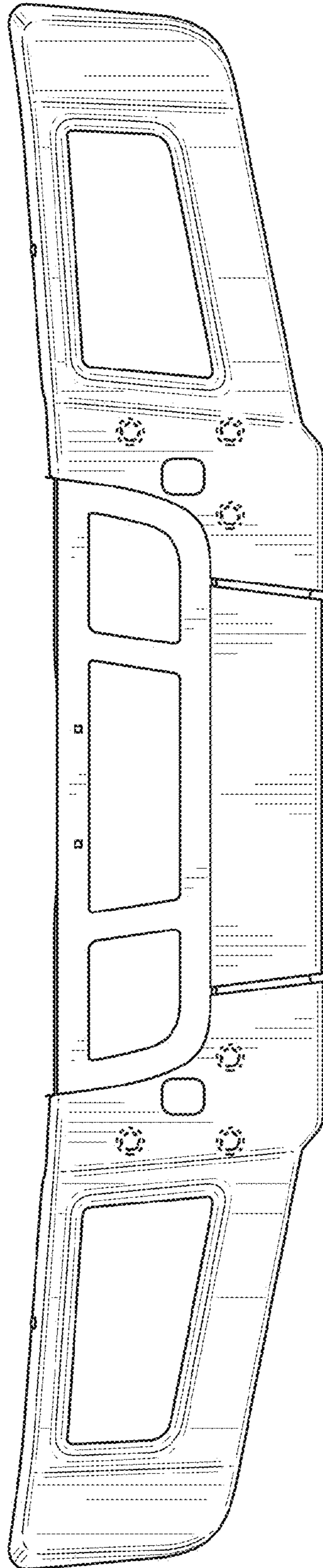


FIG. 2

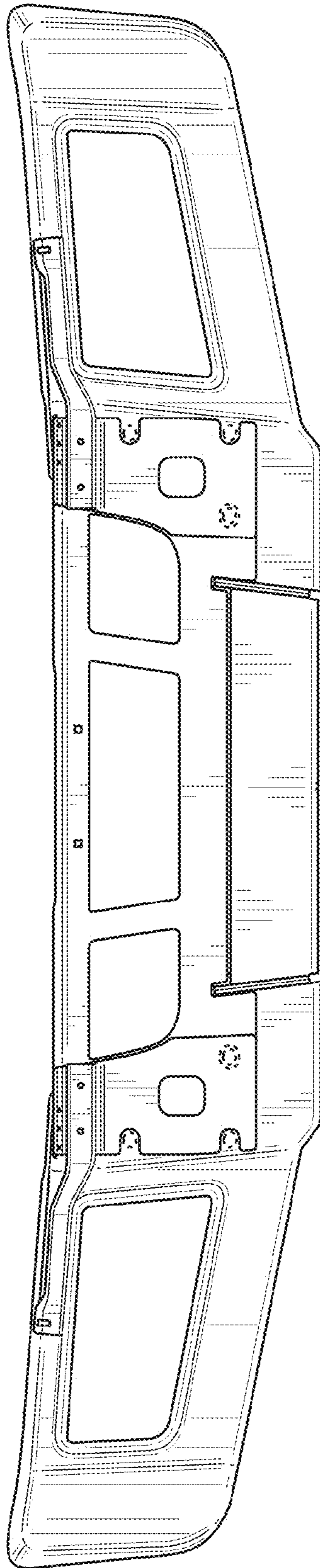


FIG. 3

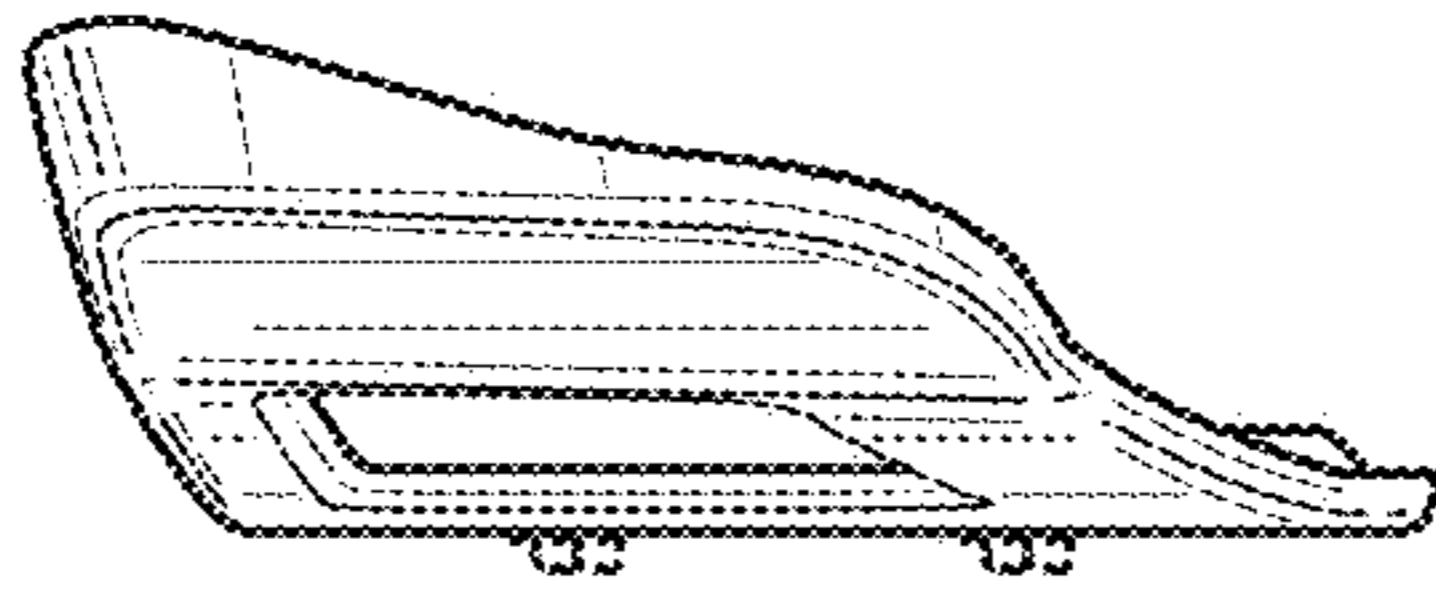


FIG. 4

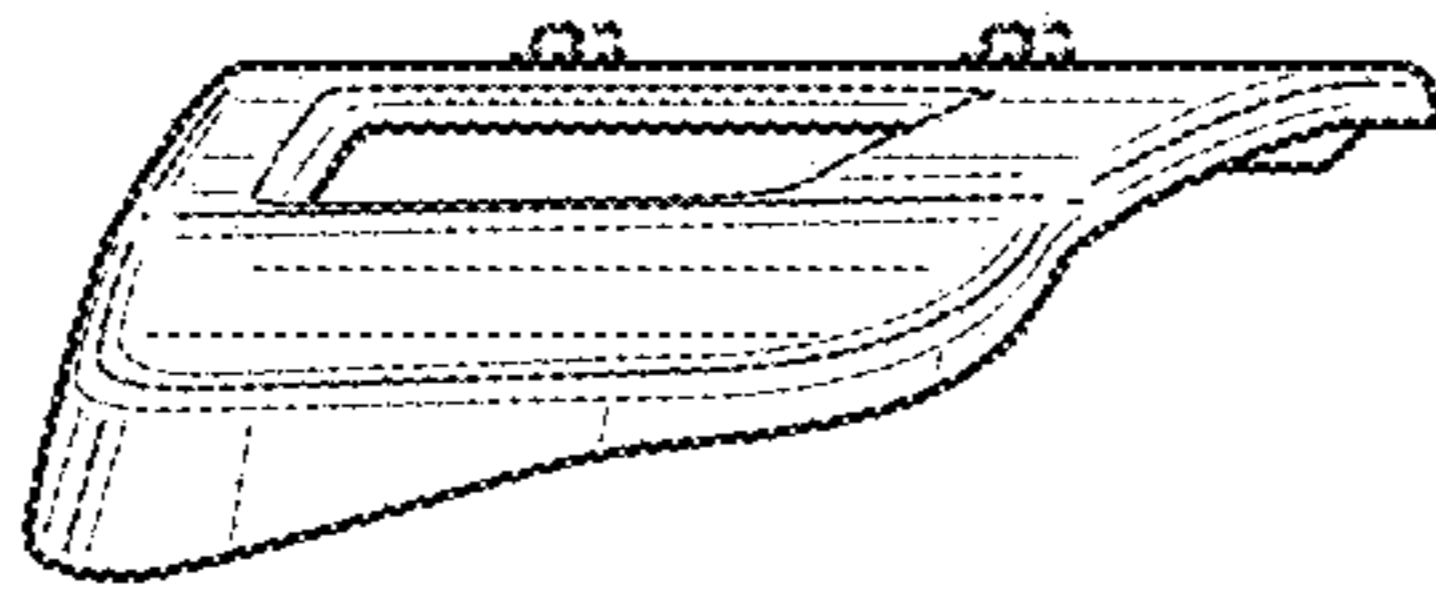


FIG. 5

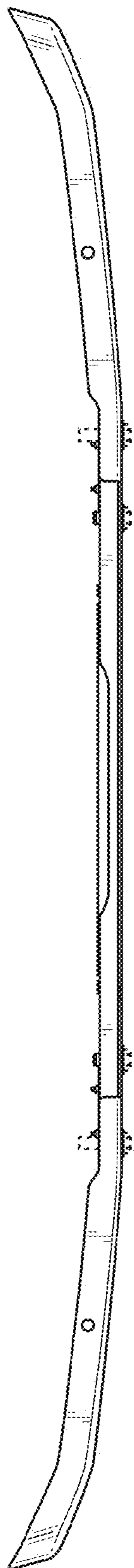


FIG. 6

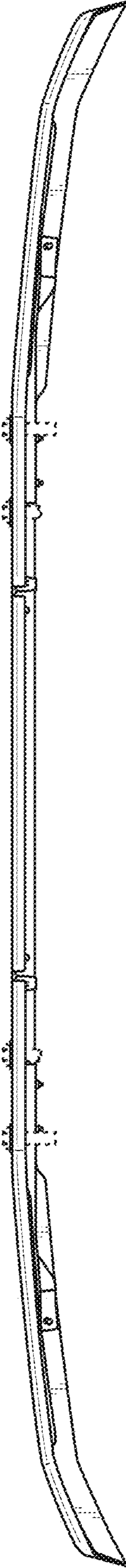


FIG. 7