

US00D737738S

(12) **United States Design Patent**  
**Nordmann**

(10) **Patent No.:** **US D737,738 S**  
(45) **Date of Patent:** **\*\* Sep. 1, 2015**

- (54) **FRONT BUMPER FOR A VEHICLE**
- (71) Applicant: **Bayerische Motoren Werke Aktiengesellschaft, Munich (DE)**
- (72) Inventor: **Christoph Nordmann, Munich (DE)**
- (73) Assignee: **Bayerische Motoren Werke Aktiengesellschaft, Munich (DE)**

D670,625	S	*	11/2012	Frei et al.	.....	D12/169
D675,139	S	*	1/2013	Yamamoto et al.	.....	D12/169
D678,141	S	*	3/2013	Behmer et al.	.....	D12/169
D691,526	S	*	10/2013	Uchino	.....	D12/169
D699,166	S	*	2/2014	Abe et al.	.....	D12/169
D702,160	S	*	4/2014	Miyazawa	.....	D12/169
D703,118	S	*	4/2014	Gueler et al.	.....	D12/169
D713,767	S	*	9/2014	Selvaag	.....	D12/169
D716,199	S	*	10/2014	Beermann	.....	D12/169

- (\*\*) Term: **14 Years**
- (21) Appl. No.: **29/486,318**
- (22) Filed: **Mar. 28, 2014**

**FOREIGN PATENT DOCUMENTS**

EM	002401430-0001	2/2014
WO	DM/065775	11/2001
WO	DM/069404	4/2008
WO	DM/077303	5/2012
WO	DM/078976	2/2013

\* cited by examiner

(30) **Foreign Application Priority Data**

Sep. 30, 2013 (DE) ..... 40 2013 100 991

- (51) **LOC (10) Cl.** ..... **12-16**
- (52) **U.S. Cl.**  
USPC ..... **D12/169**
- (58) **Field of Classification Search**  
USPC ..... D12/169, 216, 90-92, 86, 171, 196,  
D12/163; 293/102, 113, 115, 117, 120;  
296/180.1, 180.2  
CPC ..... B60R 19/02; B60R 19/04; B62D 25/08  
See application file for complete search history.

*Primary Examiner* — Melody N Brown  
(74) *Attorney, Agent, or Firm* — Crowell & Moring LLP

(57) **CLAIM**  
The ornamental design for a front bumper for a vehicle, as shown and described.

**DESCRIPTION**

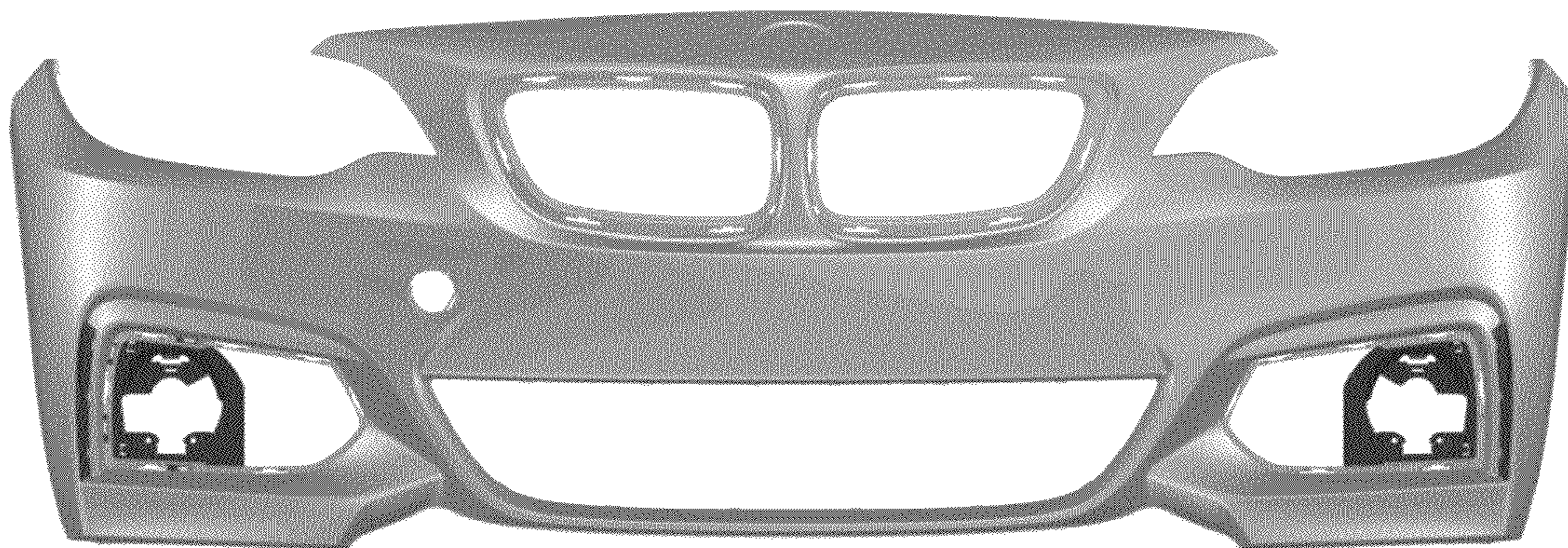
This application contains subject matter related to the following co-pending U.S. design patent applications: Application Ser. No. 29/486,314, filed herewith and entitled "Vehicle, Toy, and/or Replicas Thereof;" Application Ser. No. 29/486,316, filed herewith and entitled "Vehicle, Toy, and/or Replicas Thereof;" and, Application Serial No. 29/486,317, filed herewith and entitled "Front Bumper for a Vehicle." FIG. 1 is a front view of a front bumper for a vehicle according to the design; FIG. 2 is a right, front perspective view thereof; FIG. 3 is a left, front perspective view thereof; FIG. 4 is a right side view thereof; FIG. 5 is a left side view thereof; FIG. 6 is a top view thereof; FIG. 7 is a bottom view thereof; and, FIG. 8 is a rear view thereof.

(56) **References Cited**

**U.S. PATENT DOCUMENTS**

D514,990	S	2/2006	Nagashima	
D570,261	S	*	6/2008	Baum ..... D12/169
D606,465	S	*	12/2009	Weil ..... D12/169
D626,473	S	*	11/2010	Mueller ..... D12/169
D633,013	S	*	2/2011	Bauer et al. .... D12/169
D637,945	S	*	5/2011	Nakagawa ..... D12/169
D643,350	S	*	8/2011	Furst ..... D12/169
D647,010	S	*	10/2011	Karras et al. .... D12/169
D656,871	S	*	4/2012	Fetherston et al. .... D12/169
D668,189	S	*	10/2012	Gifford ..... D12/169
D669,402	S	*	10/2012	Elmitt ..... D12/169

**1 Claim, 8 Drawing Sheets**



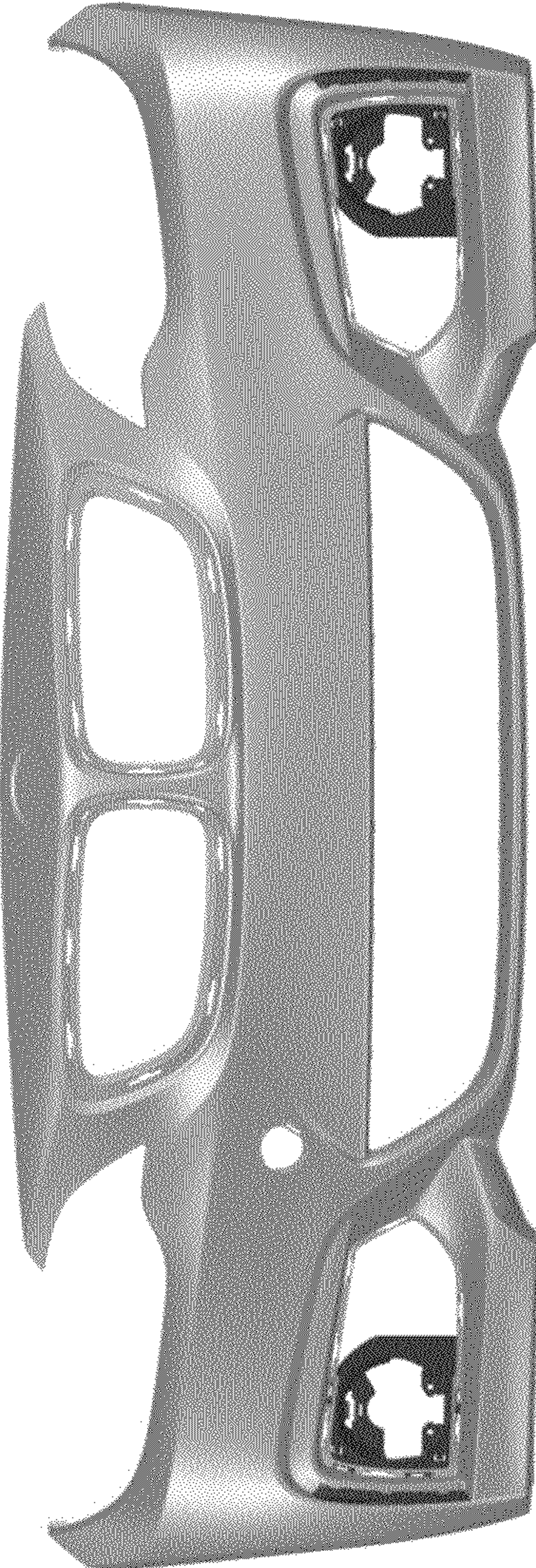


Fig. 1



Fig. 2



Fig. 3

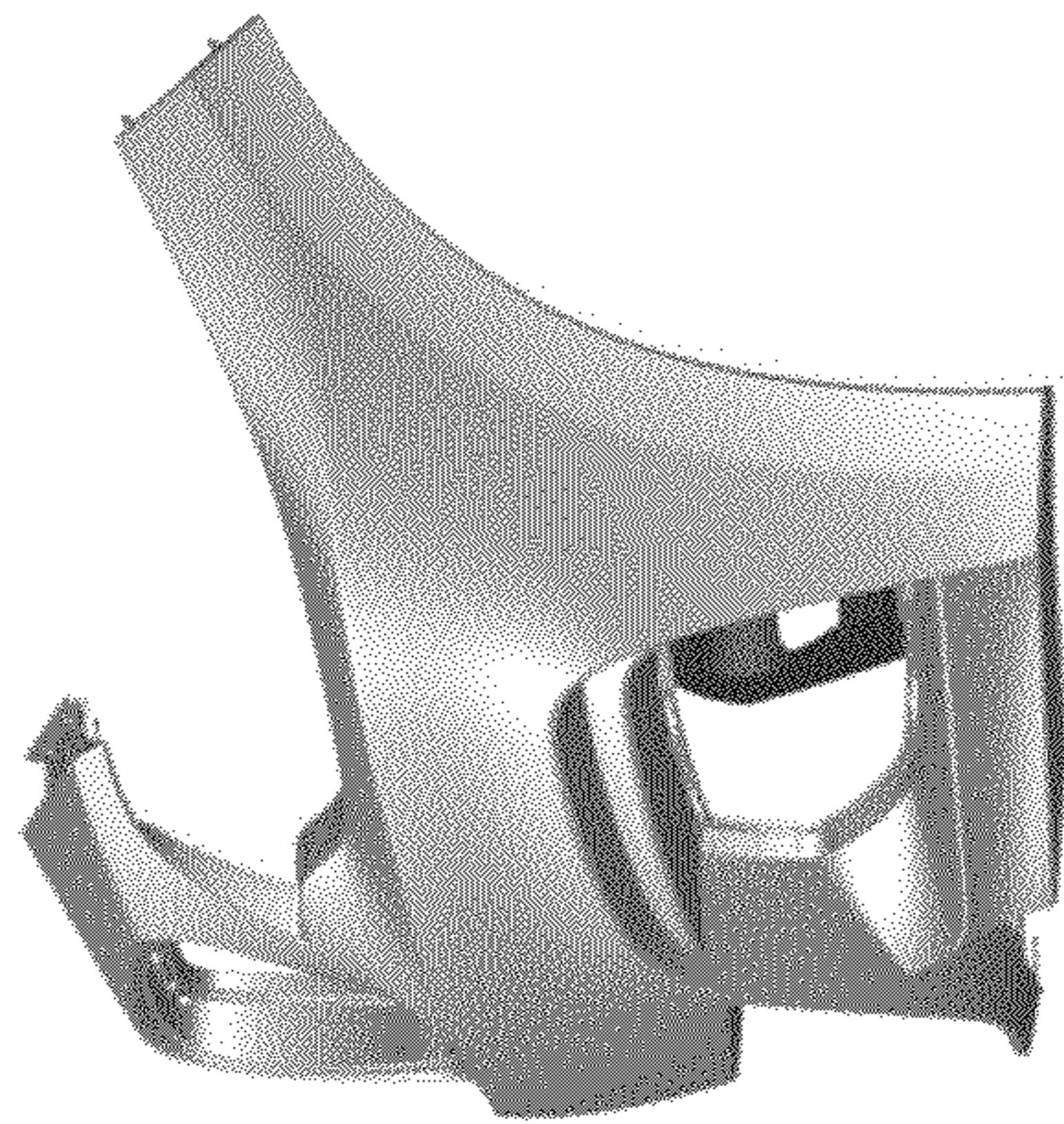


Fig. 4

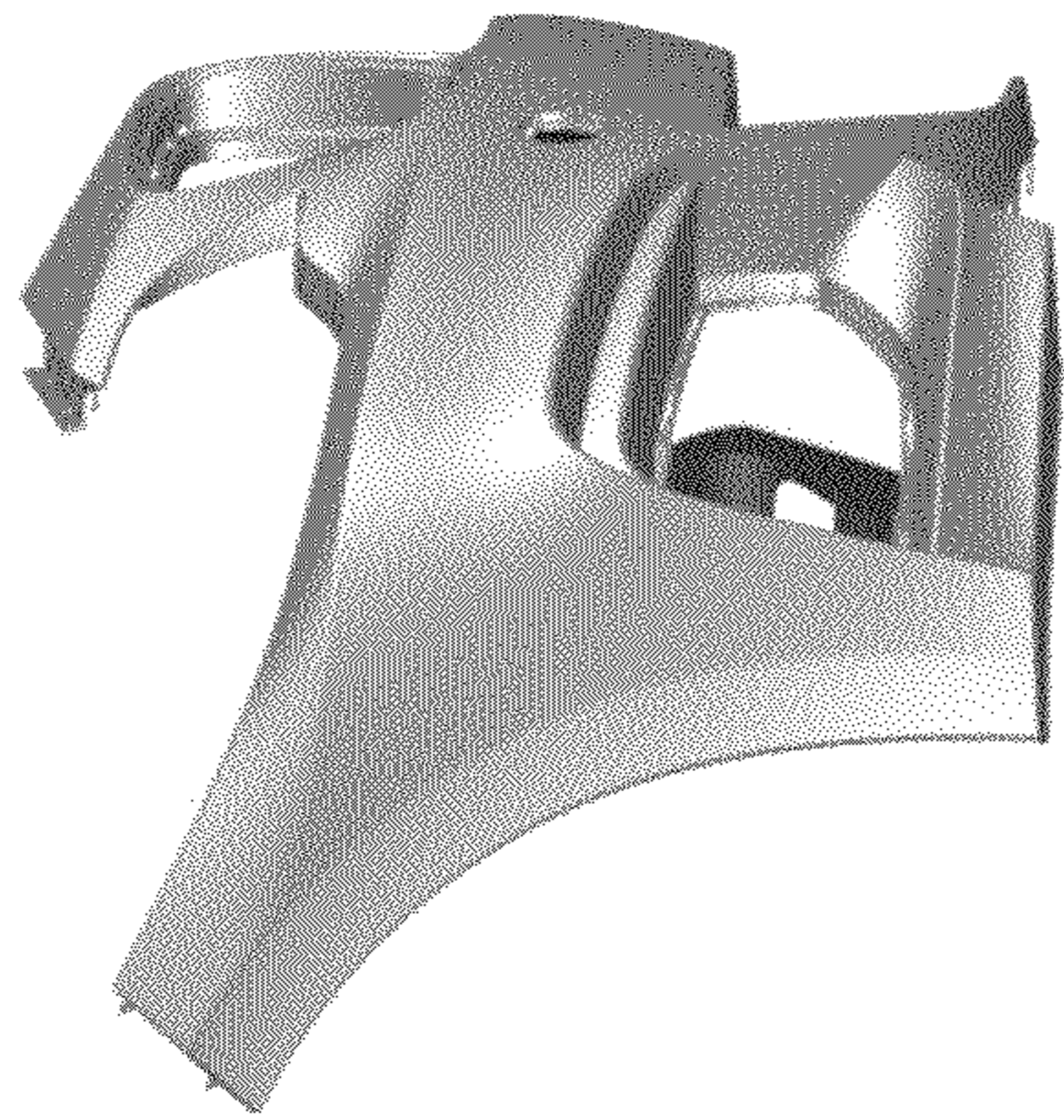


Fig. 5

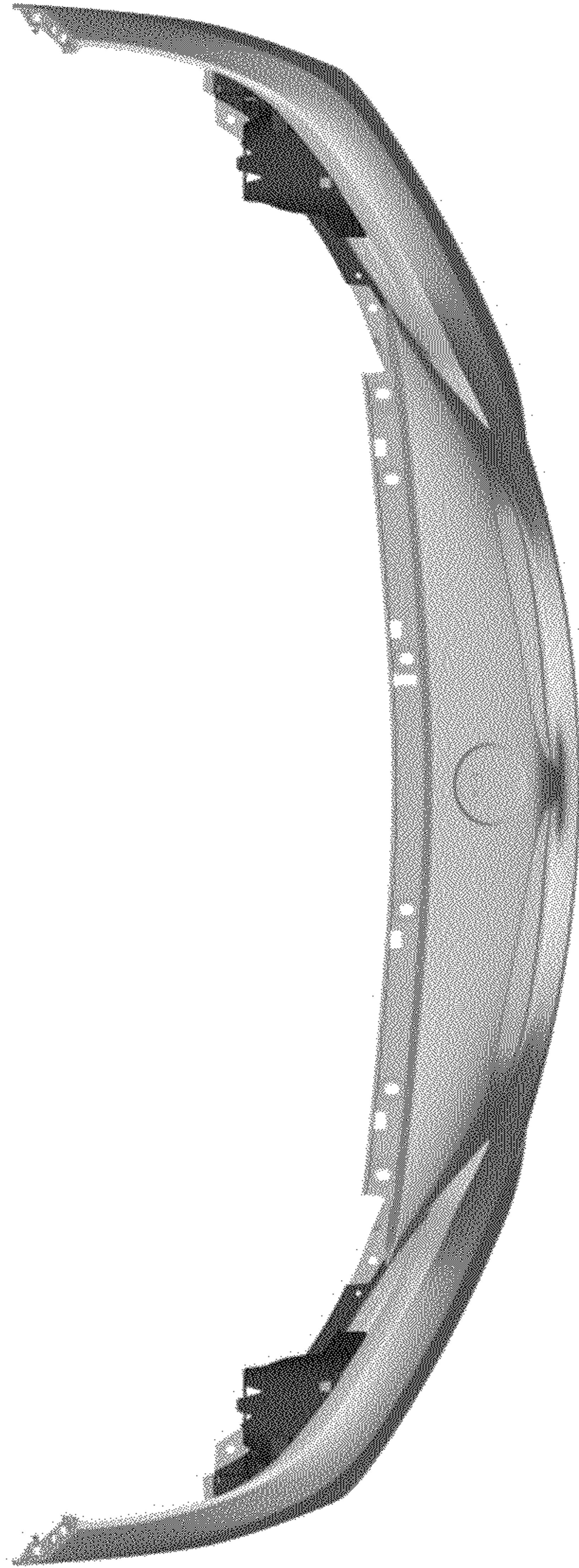


Fig. 6

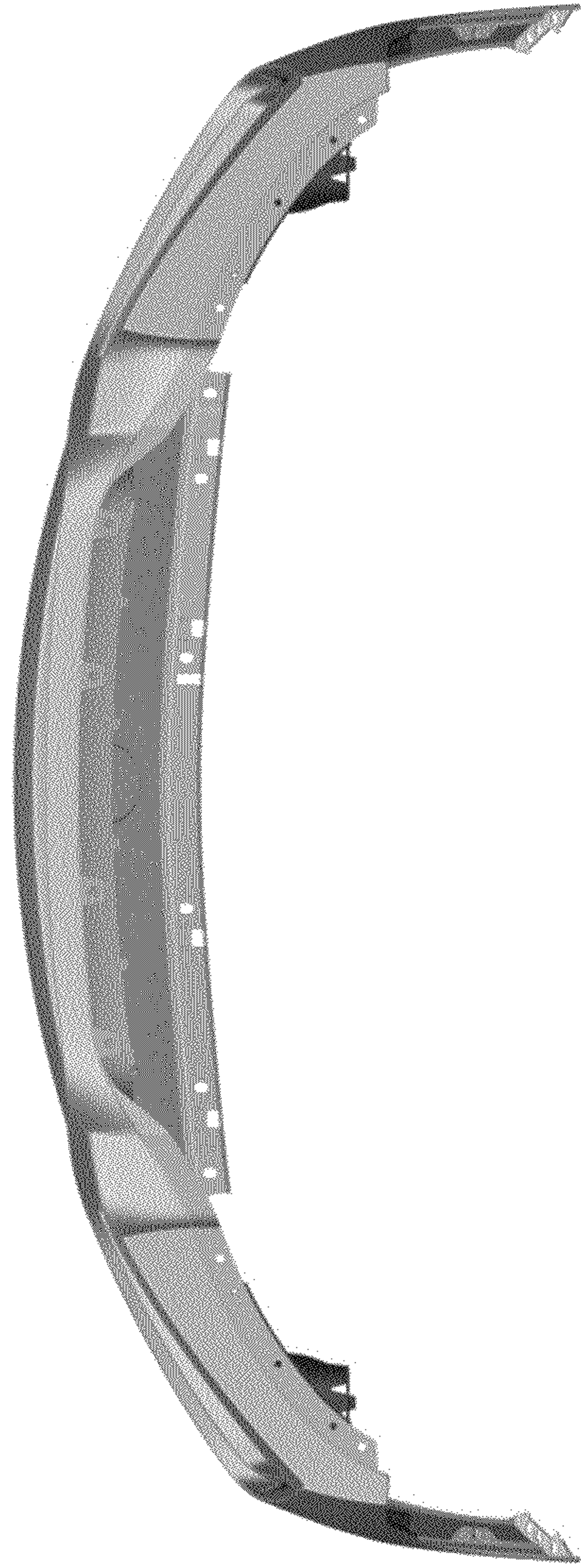


Fig. 7



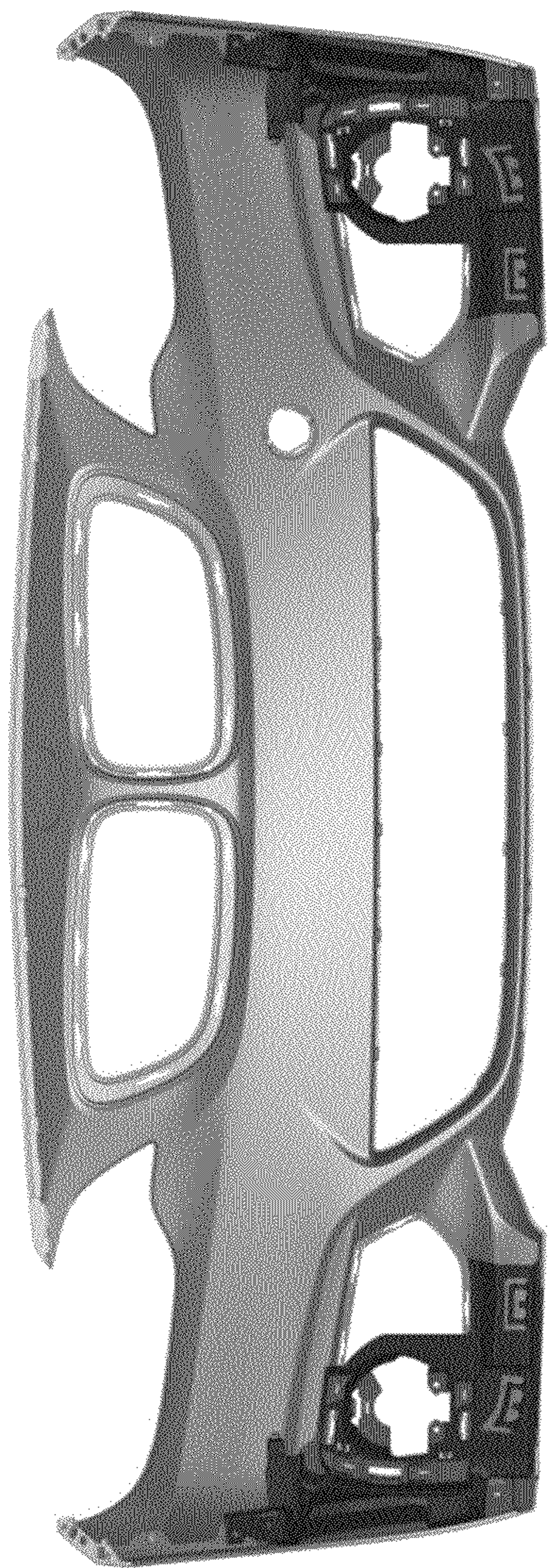


Fig. 8