



US00D737737S

(12) **United States Design Patent**
Kim et al.

(10) **Patent No.:** **US D737,737 S**
(45) **Date of Patent:** **** Sep. 1, 2015**

- (54) **BUMPER FOR AN AUTOMOBILE**
- (71) Applicants: **Yuri Kim**, Toyota (JP); **Nobuyuki Tomatsu**, Nagoya (JP); **Shin Miyata**, Nisshin (JP)
- (72) Inventors: **Yuri Kim**, Toyota (JP); **Nobuyuki Tomatsu**, Nagoya (JP); **Shin Miyata**, Nisshin (JP)
- (73) Assignee: **Toyota Jidosha Kabushiki Kaisha** (JP)
- (**) Term: **14 Years**
- (21) Appl. No.: **29/482,944**
- (22) Filed: **Feb. 24, 2014**
- (30) **Foreign Application Priority Data**
 - Sep. 2, 2013 (JP) 2013-020189
 - Sep. 2, 2013 (JP) 2013-020190
 - Sep. 2, 2013 (JP) 2013-020191
- (51) **LOC (10) Cl.** **12-16**
- (52) **U.S. Cl.**
USPC **D12/169**
- (58) **Field of Classification Search**
USPC D12/169, 216, 90-92, 86, 171, 196,
D12/163; 293/102, 113, 115, 117, 120;
296/180.1, 180.2
CPC B60R 19/02; B60R 19/04; B62D 25/08
See application file for complete search history.

- D640,958 S * 7/2011 Yokoi et al. D12/169
- D664,904 S * 8/2012 Koyama et al. D12/169
- D666,129 S * 8/2012 Iida et al. D12/163
- D667,353 S * 9/2012 Tomatsu D12/169
- D680,472 S * 4/2013 Kido et al. D12/163
- D696,611 S * 12/2013 Kwon et al. D12/169
- D697,458 S * 1/2014 Won D12/169
- D710,265 S * 8/2014 Sakae et al. D12/169
- D715,709 S * 10/2014 Matsumoto et al. D12/169

OTHER PUBLICATIONS

Lexus, Lexus RX 350 F-Sport, netcarshow.com <http://www.netcarshow.com/lexus/2013-rx_350_f_sport/800x600/wallpaper_02.htm>, available at least as early as May 30, 2013.
 Lexus, Lexus IS (2014), netcarshow.com <http://www.netcarshow.com/lexus/2014-is/800x600/wallpaper_50.htm>, available at least as early as May 30, 2013.
 Nissan, Nissan Resonance Concept, netcarshow.com <http://www.netcarshow.com/nissan/2013-resonance_concept/800x600/wallpaper_01.htm>, available at least as early as May 30, 2013.

(Continued)

Primary Examiner — Melody N Brown
 (74) *Attorney, Agent, or Firm* — Saidman DesignLaw Group, LLC

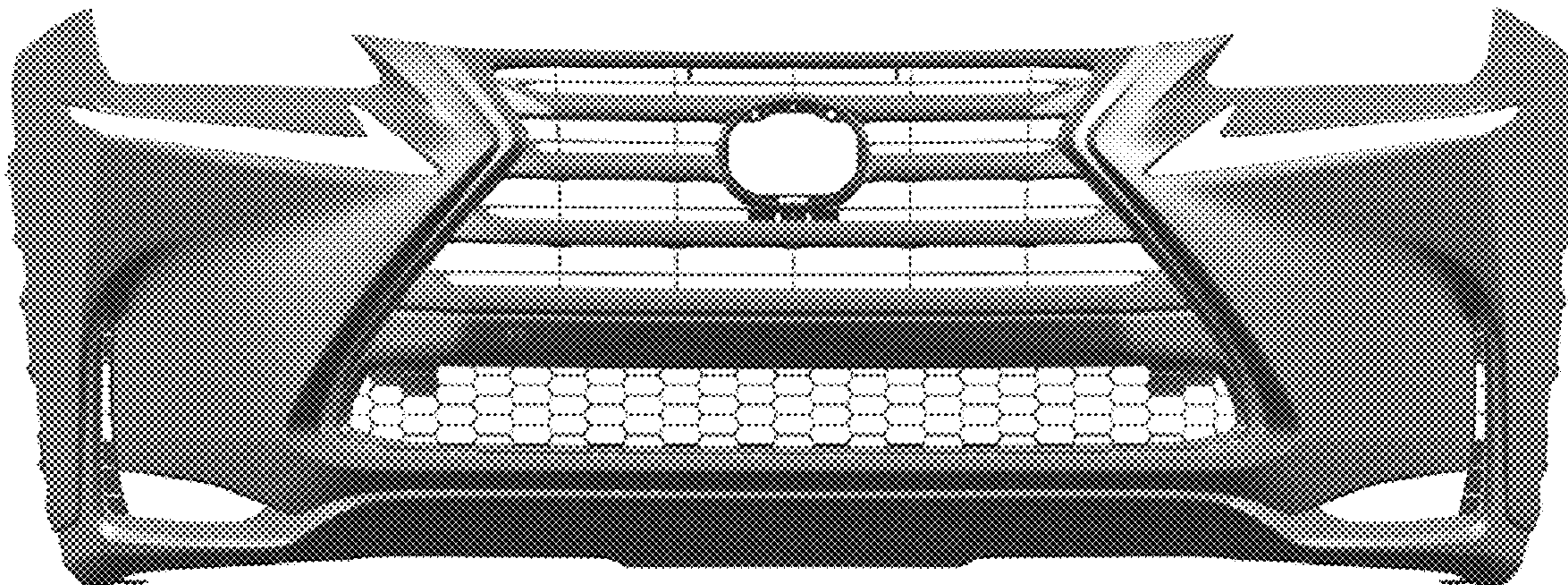
(57) **CLAIM**
 The ornamental design for a bumper for an automobile, as shown and described.

DESCRIPTION

FIG. 1 is a perspective view of a bumper for an automobile showing our new design;
 FIG. 2 is a front view thereof;
 FIG. 3 is a rear view thereof;
 FIG. 4 is a top view thereof;
 FIG. 5 is a bottom view thereof; and,
 FIG. 6 is a right side view, the left side view being a mirror image thereof.

1 Claim, 2 Drawing Sheets

- (56) **References Cited**
U.S. PATENT DOCUMENTS
 - D619,514 S * 7/2010 Syouji et al. D12/169
 - D620,850 S * 8/2010 Sakae et al. D12/169
 - D637,533 S * 5/2011 Miyazawa et al. D12/169
 - D640,614 S * 6/2011 Kumai et al. D12/169



(56)

References Cited

OTHER PUBLICATIONS

Lexus, Lexus RX 350 (2013), netcarshow.com <http://www.netcarshow.com/lexus/2013-rx_350/800x600/wallpaper_08.htm>, available at least as early as May 30, 2013.

Volkswagen, Volkswagen-Tiguan (2012), netcarshow.com <http://www.netcarshow.com/volkswagen/2012-tiguan/800x600/wallpaper_04.htm>, available at least as early as May 30, 2013.

Lexus, Lexus LF CC Concept (2012), netcarshow.com <http://www.netcarshow.com/lexus/2012-lf-cc_concept/800x600/wallpaper_08.htm>, available at least as early as May 30, 2013.

Audi, Audi RS6 Avant (2014), netcarshow.com <http://www.netcarshow.com/audi/2014-rs6_avant/800x600/wallpaper_29.htm>, available at least as early as May 30, 2013.

Aston Martin, Aston Martin AM 310 Vanquish (2013), netcarshow.com <http://www.netcarshow.com/aston_martin/2013-am_310_vanquish/800x600/wallpaper_10.htm>, available at least as early as May 30, 2013.

* cited by examiner

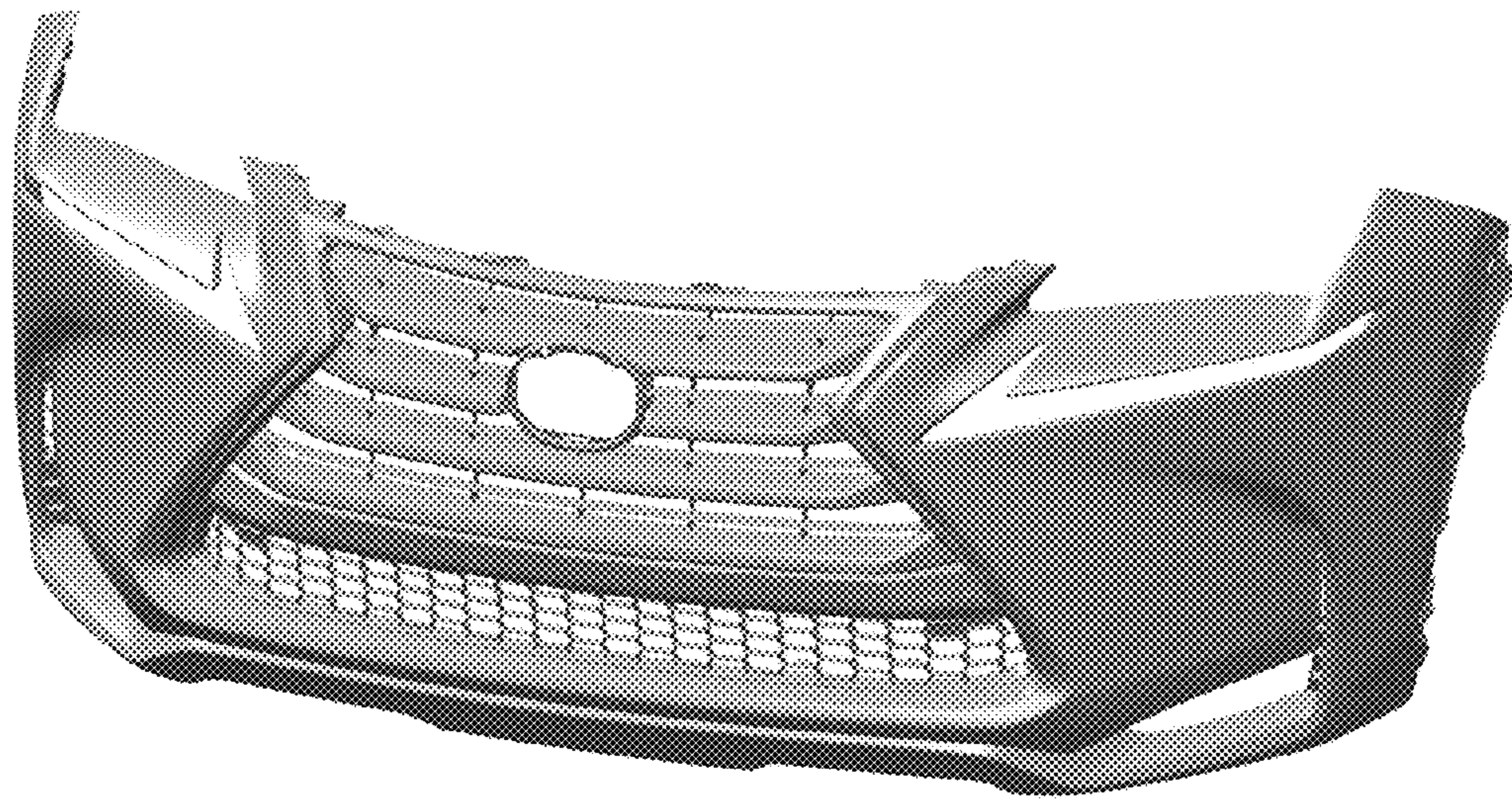


Fig. 1

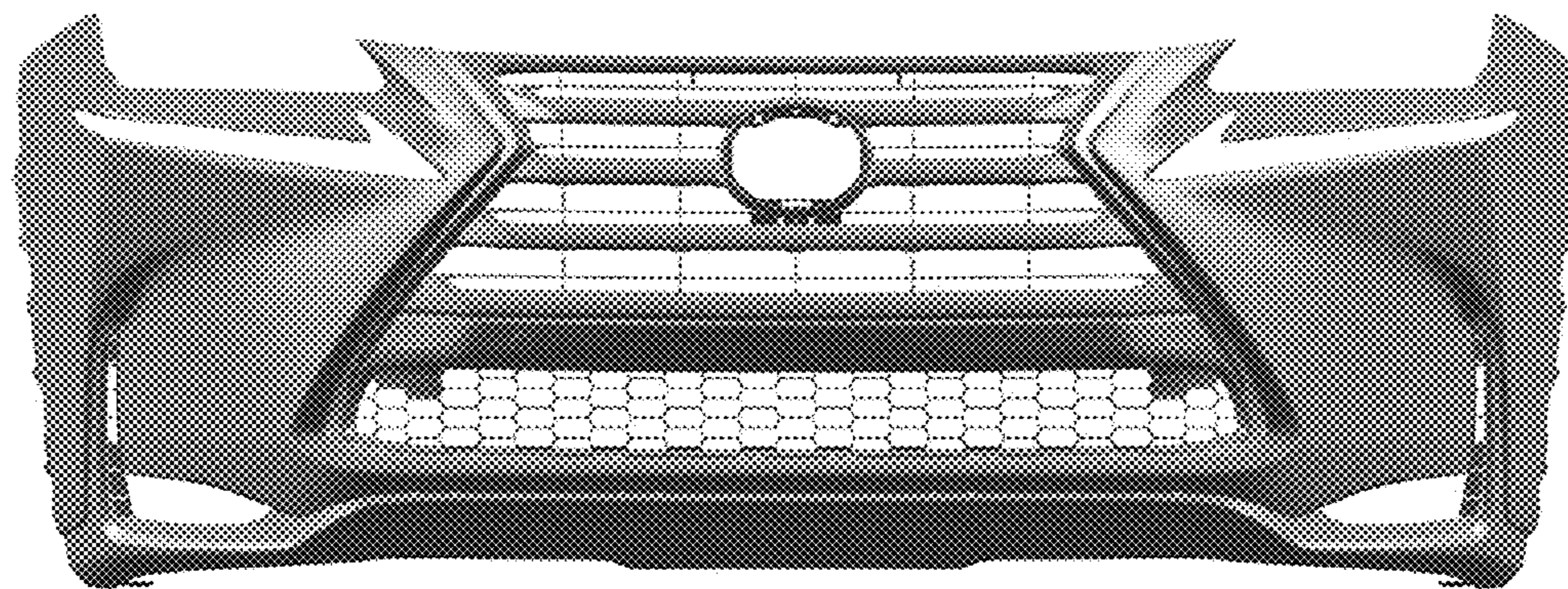


Fig. 2

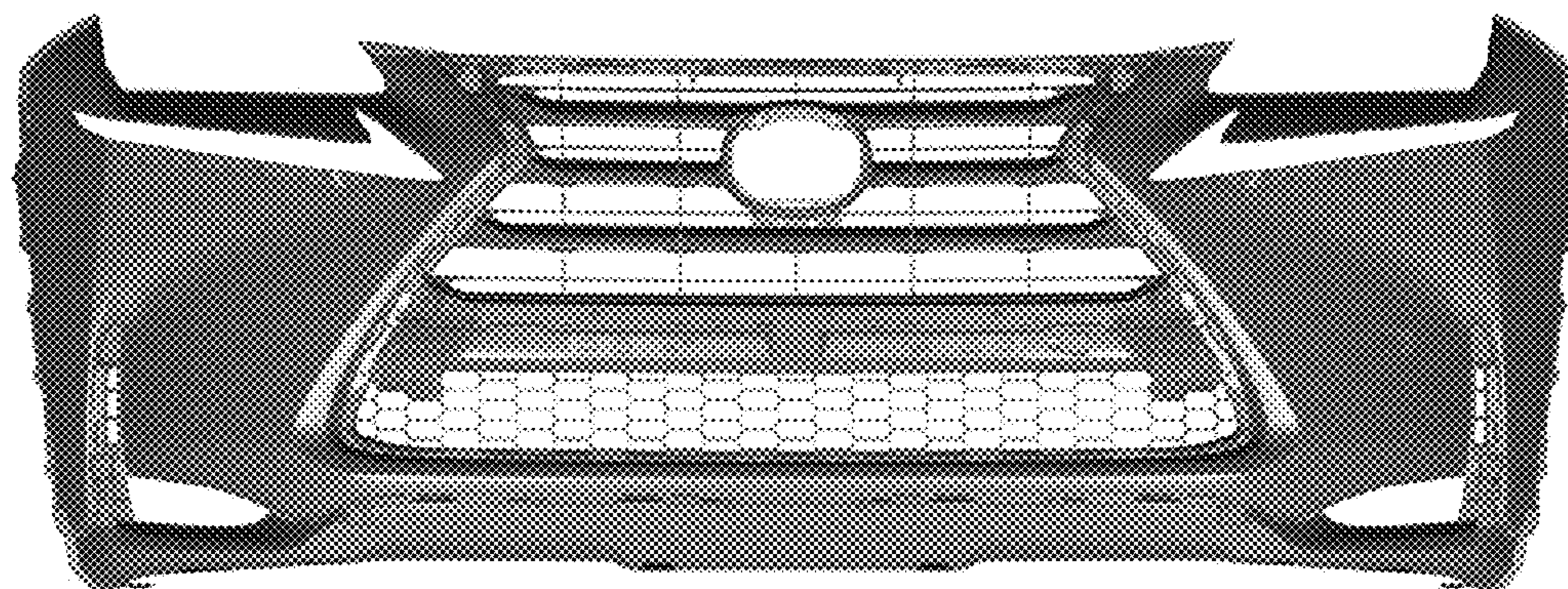


Fig. 3

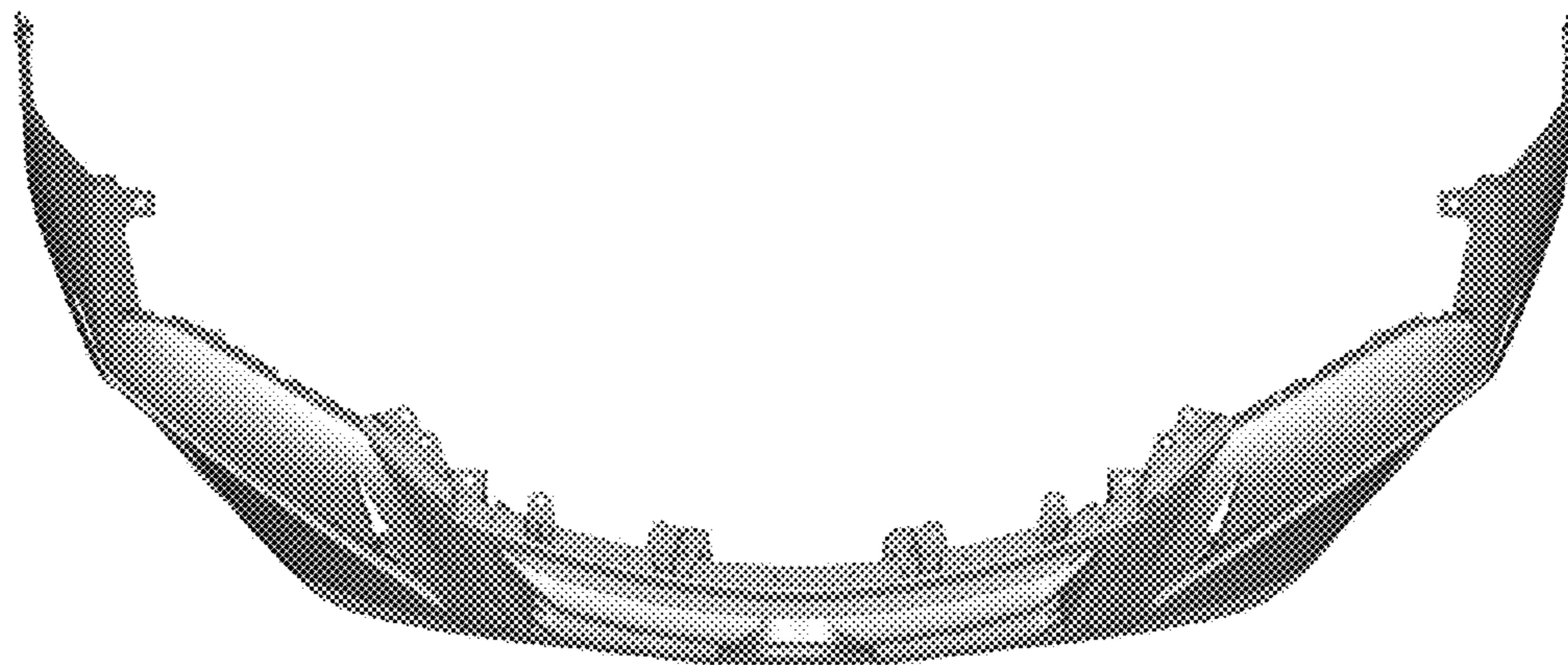


Fig. 4

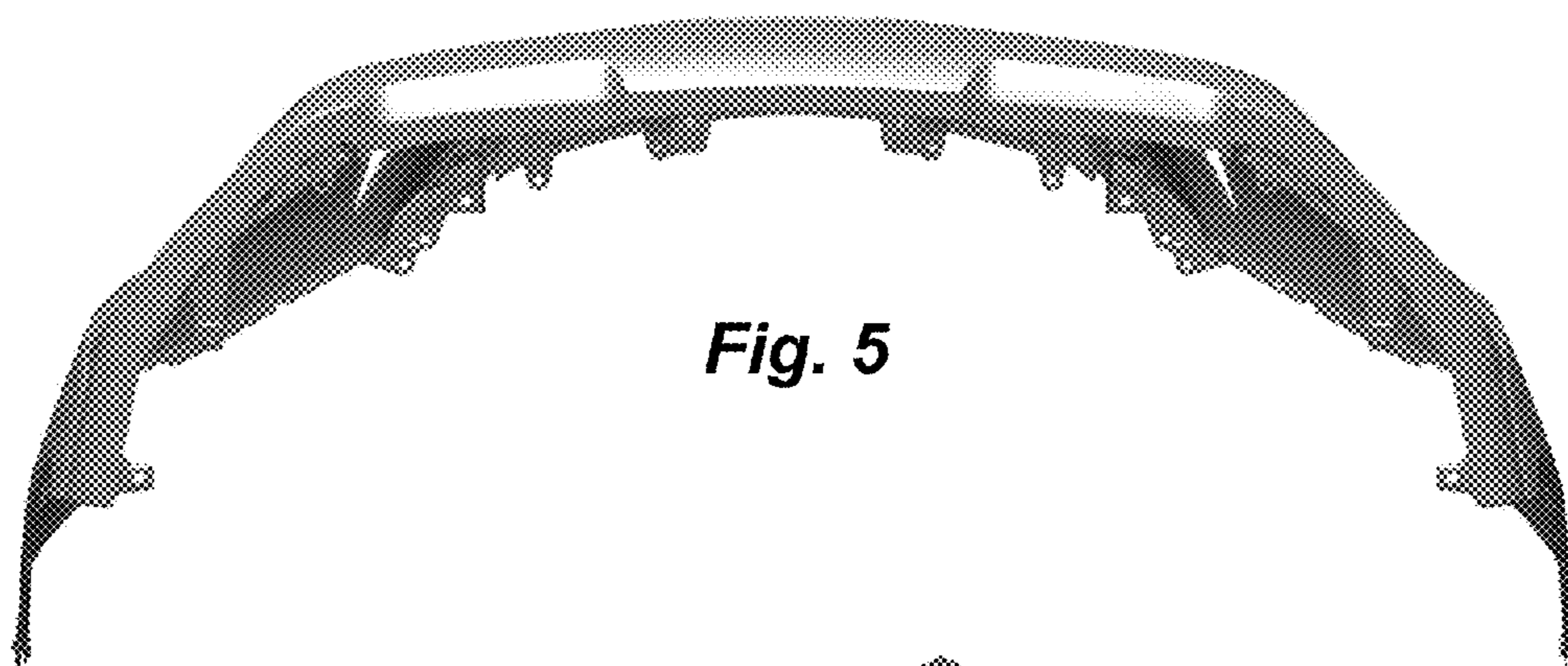


Fig. 5

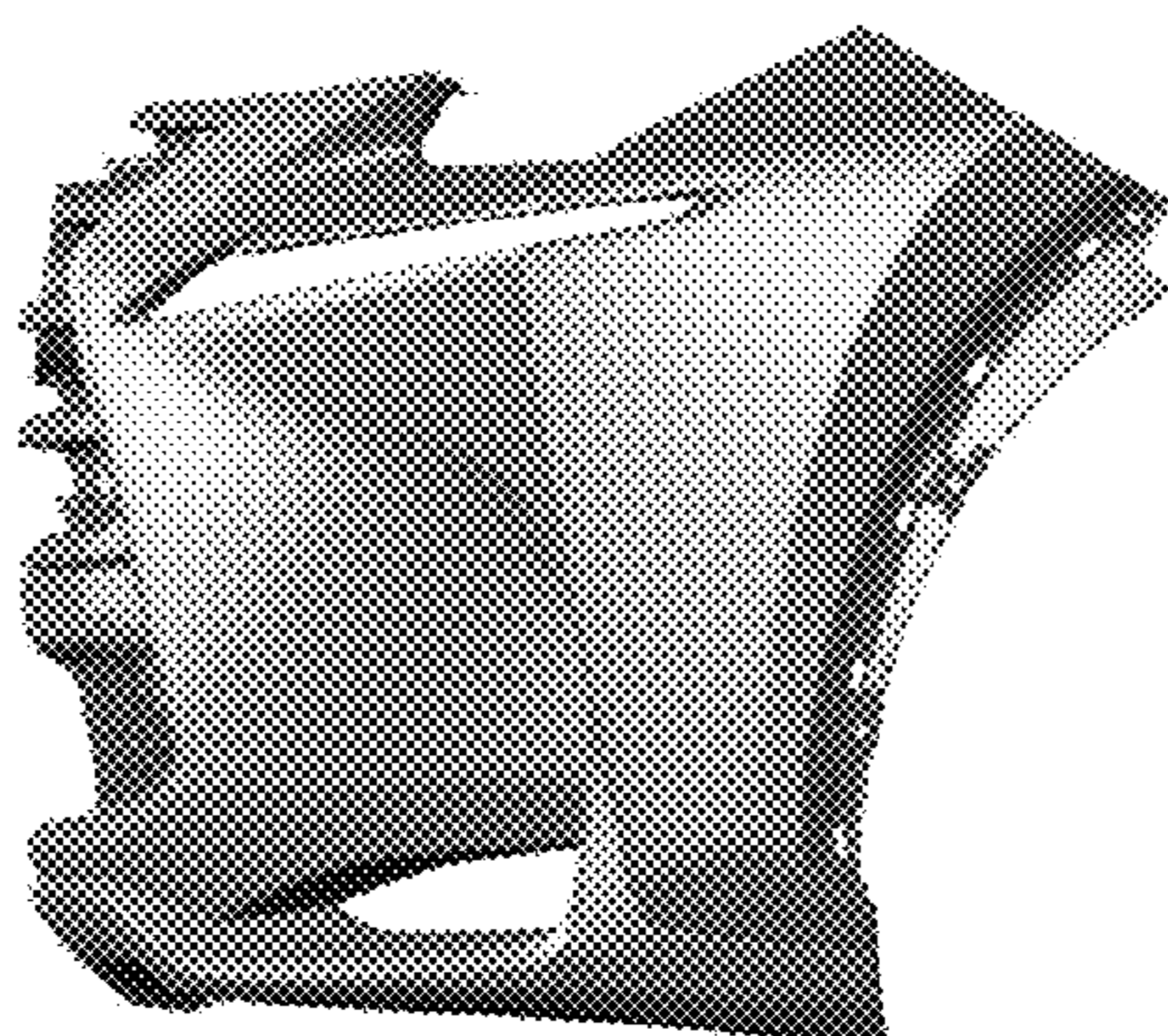


Fig. 6

UNITED STATES PATENT AND TRADEMARK OFFICE
CERTIFICATE OF CORRECTION

PATENT NO. : D737,737 S
APPLICATION NO. : 29/482944
DATED : September 1, 2015
INVENTOR(S) : Yuri Kim et al.

Page 1 of 1

It is certified that error appears in the above-identified patent and that said Letters Patent is hereby corrected as shown below:

Title Page

DESCRIPTION should read,

FIG. 1 is a perspective view of a bumper for an automobile showing our new design;

FIG. 2 is a front view thereof;

FIG. 3 is a rear view thereof;

FIG. 4 is a top view thereof;

FIG. 5 is a bottom view thereof; and,

FIG. 6 is a right side view, the left side view being a mirror image thereof.

The drawings include shadows and reflections which indicate contour, not surface ornamentation.

Signed and Sealed this
Third Day of May, 2016



Michelle K. Lee
Director of the United States Patent and Trademark Office