



US00D737735S

(12) **United States Design Patent**
Giannatti et al.

(10) **Patent No.:** **US D737,735 S**
(45) **Date of Patent:** **** Sep. 1, 2015**

- (54) **TRAILER HITCH COUPLER**
- (71) Applicant: **WINSTON PRODUCTS LLC**,
Cleveland, OH (US)
- (72) Inventors: **Nicholas D Giannatti**, Hudson, OH
(US); **Ryan William Chepla**, Shaker
Heights, OH (US); **Winston Breeden,**
III, Chagrin Falls, OH (US)
- (73) Assignee: **Winston Products LLC**, Cleveland, OH
(US)
- (**) Term: **14 Years**
- (21) Appl. No.: **29/489,447**
- (22) Filed: **Apr. 30, 2014**
- (51) **LOC (10) Cl.** **12-16**
- (52) **U.S. Cl.**
USPC **D12/162**
- (58) **Field of Classification Search**
USPC D12/162, 159-161; 56/DIG. 14; 37/399;
280/406.2, 407, 407.1, 408, 411.1,
280/416.1, 416.2, 416.3, 418, 418.1, 433,
280/434, 435, 441.1, 441.2, 455.1, 456.1,
280/480, 493, 504, 507, 508; 224/42.11,
224/42.12, 42.14, 42.26, 400, 401, 412,
224/413, 488, 494, 500-501, 519, 537;
135/88.05; 150/166
See application file for complete search history.

7,338,064 B1 * 3/2008 Williams 280/491.3
 D708,554 S * 7/2014 Waldner D12/162
 D709,804 S * 7/2014 Provost D12/162
 2007/0145716 A1 * 6/2007 Schulze 280/483

* cited by examiner

Primary Examiner — Katrina A Betton

(74) *Attorney, Agent, or Firm* — Cooper Legal Group, LLC

(57) **CLAIM**

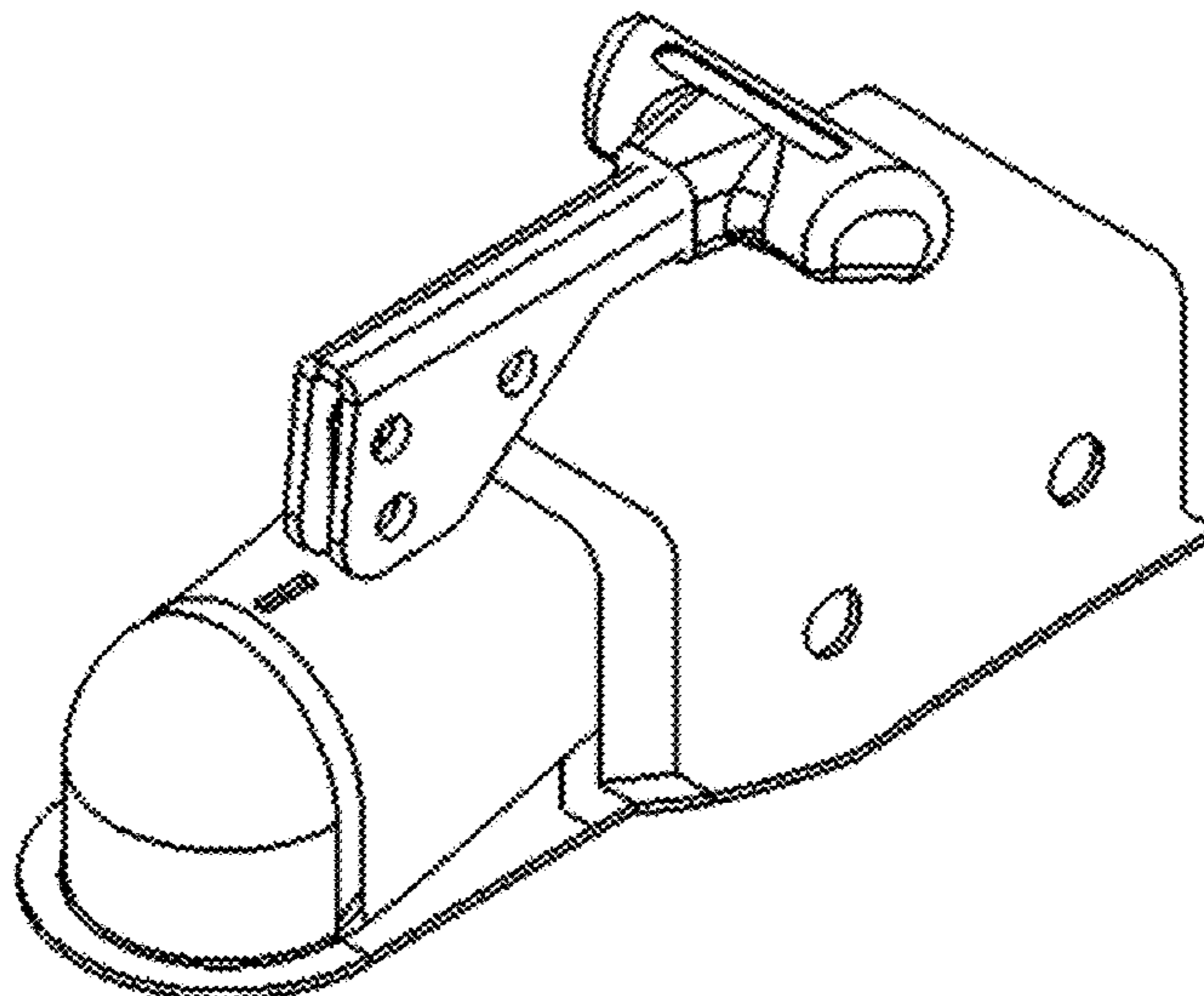
The ornamental design for a trailer hitch coupler, as shown.

DESCRIPTION

FIG. 1 is a perspective view of a trailer hitch coupler, showing the new design;
 FIG. 2 is a front elevation view of the trailer hitch coupler illustrated in FIG. 1;
 FIG. 3 is a rear elevation view of the trailer hitch coupler illustrated in FIG. 1;
 FIG. 4 is a left side elevation view of the trailer hitch coupler illustrated in FIG. 1;
 FIG. 5 is a top elevation view of the trailer hitch coupler illustrated in FIG. 1;
 FIG. 6 is a bottom elevation view of the trailer hitch coupler illustrated in FIG. 1;
 FIG. 7 is a right side elevation view of the trailer hitch coupler illustrated in FIG. 1; and,
 FIG. 8 is an enlarged perspective view of the handle and molded handle grip of the trailer hitch coupler illustrated in FIG. 1.

1 Claim, 3 Drawing Sheets

- (56) **References Cited**
U.S. PATENT DOCUMENTS
6,712,381 B1 * 3/2004 Moss 280/491.1
7,044,493 B1 * 5/2006 Wilson 280/489



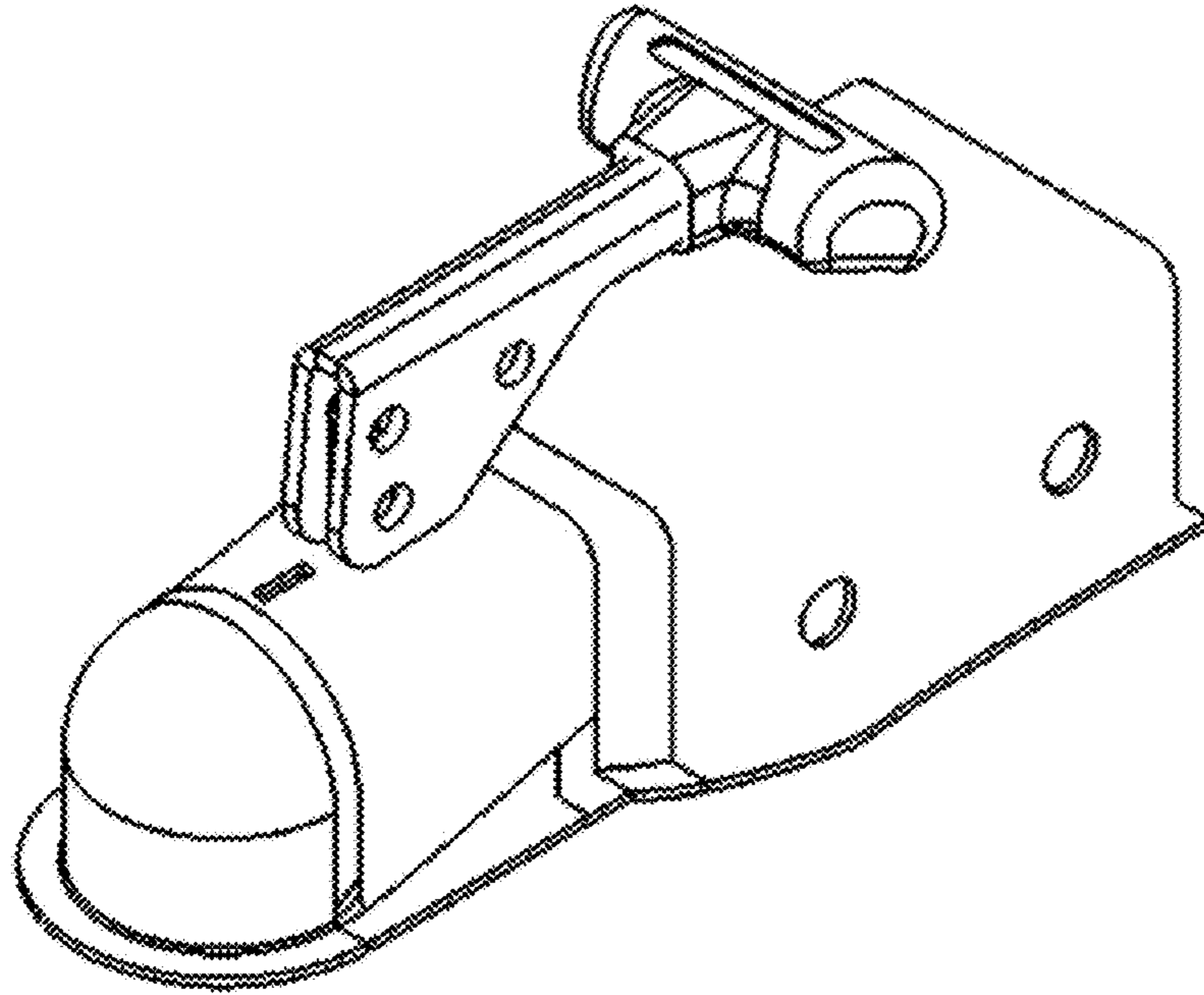


Fig. 1

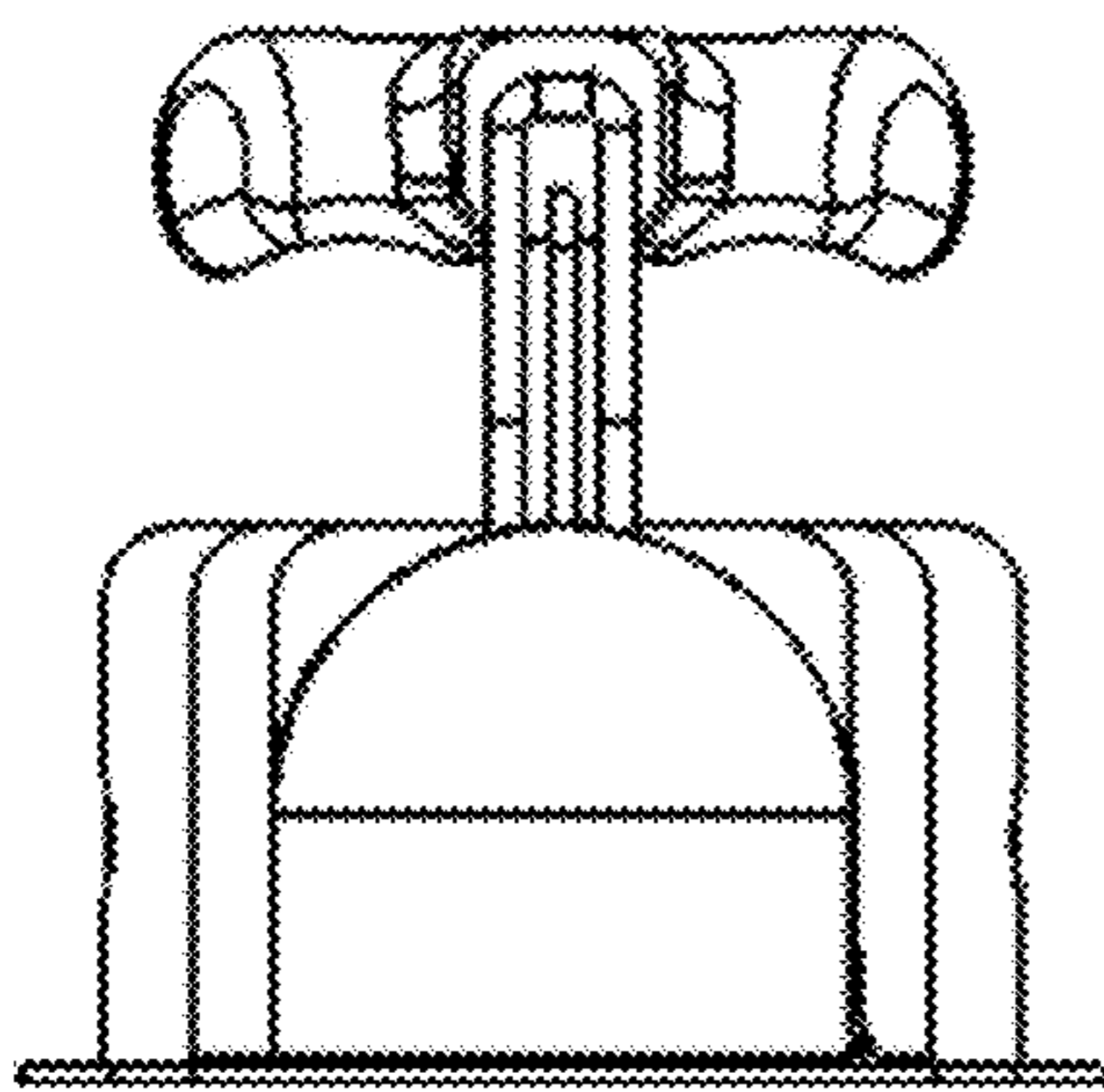


Fig. 2

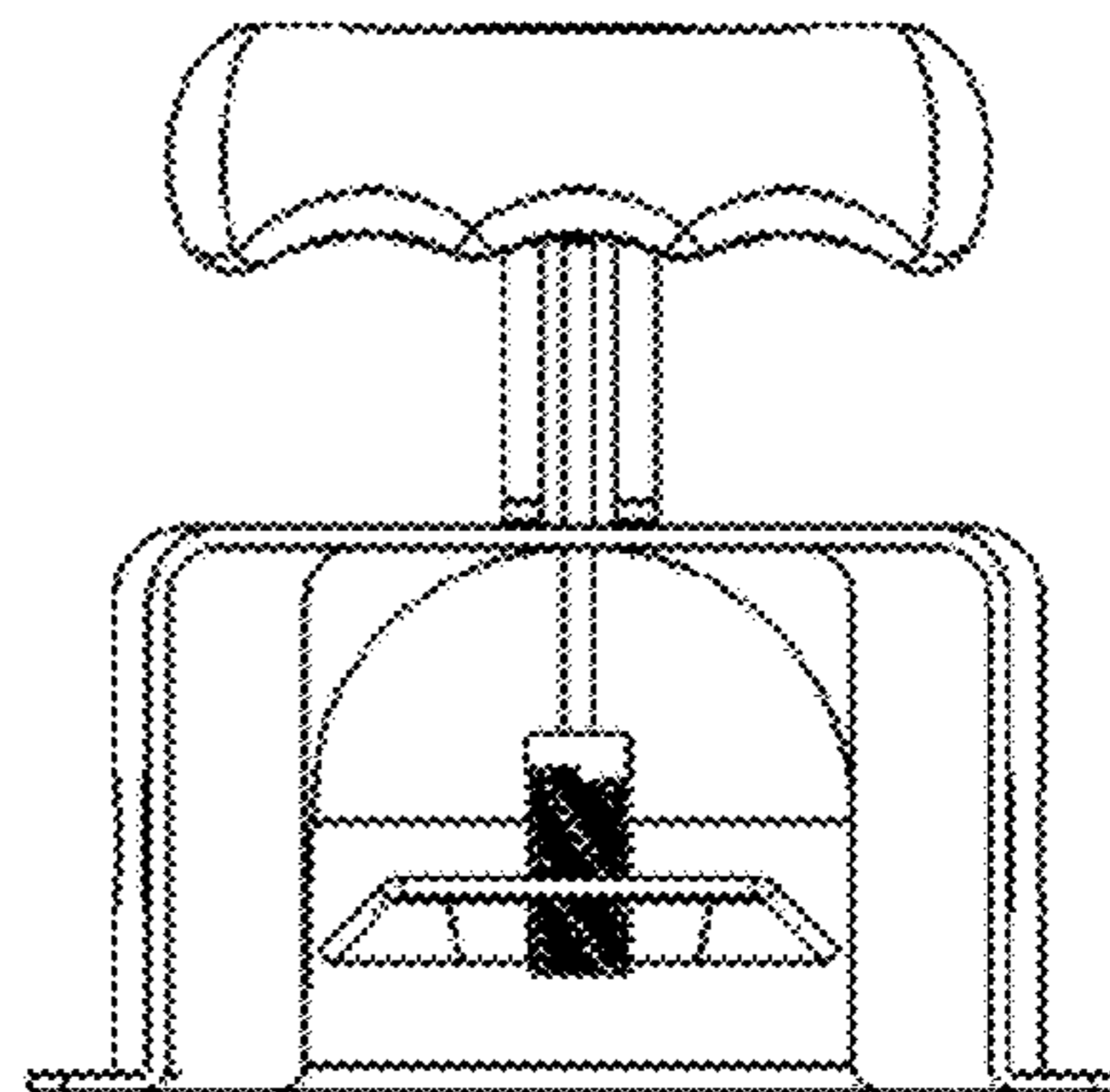


Fig. 3

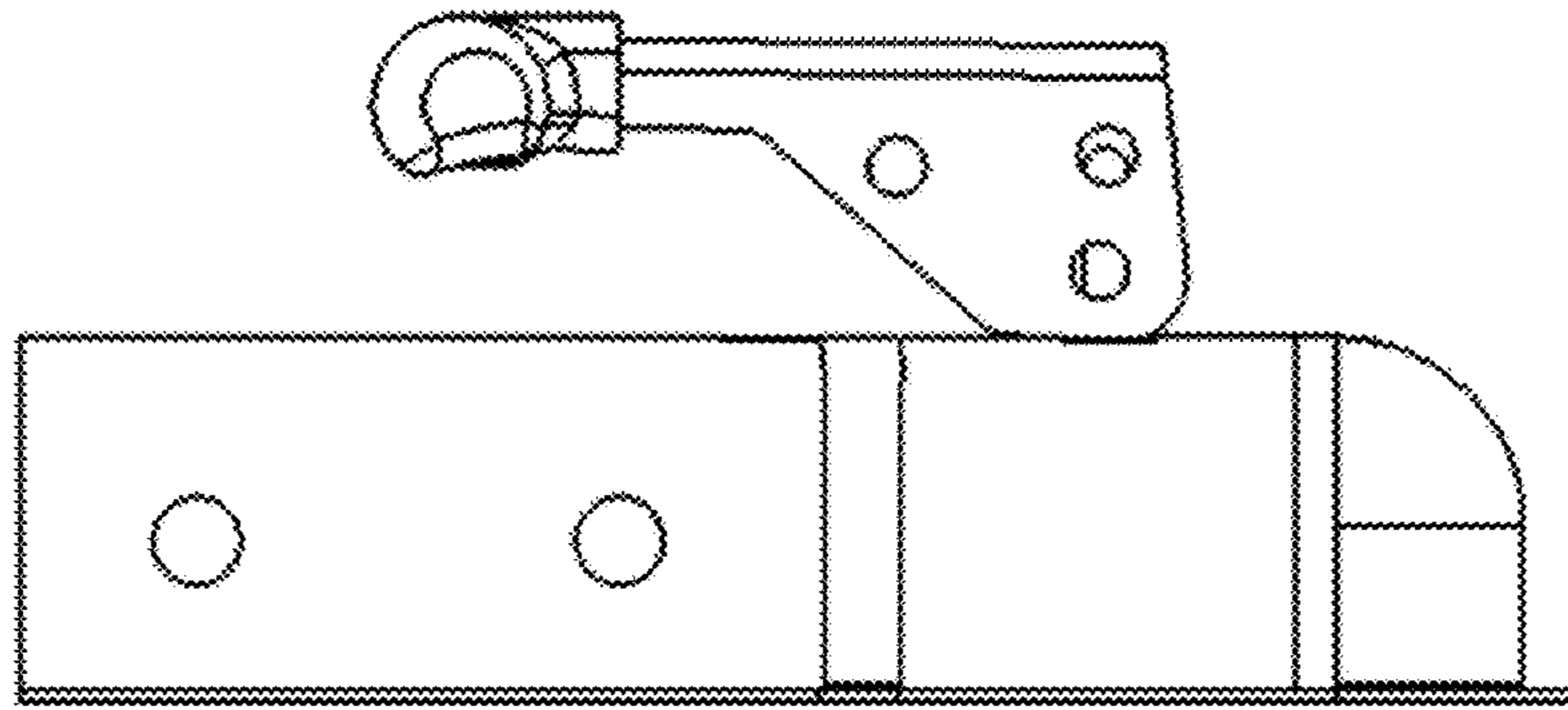


Fig. 4

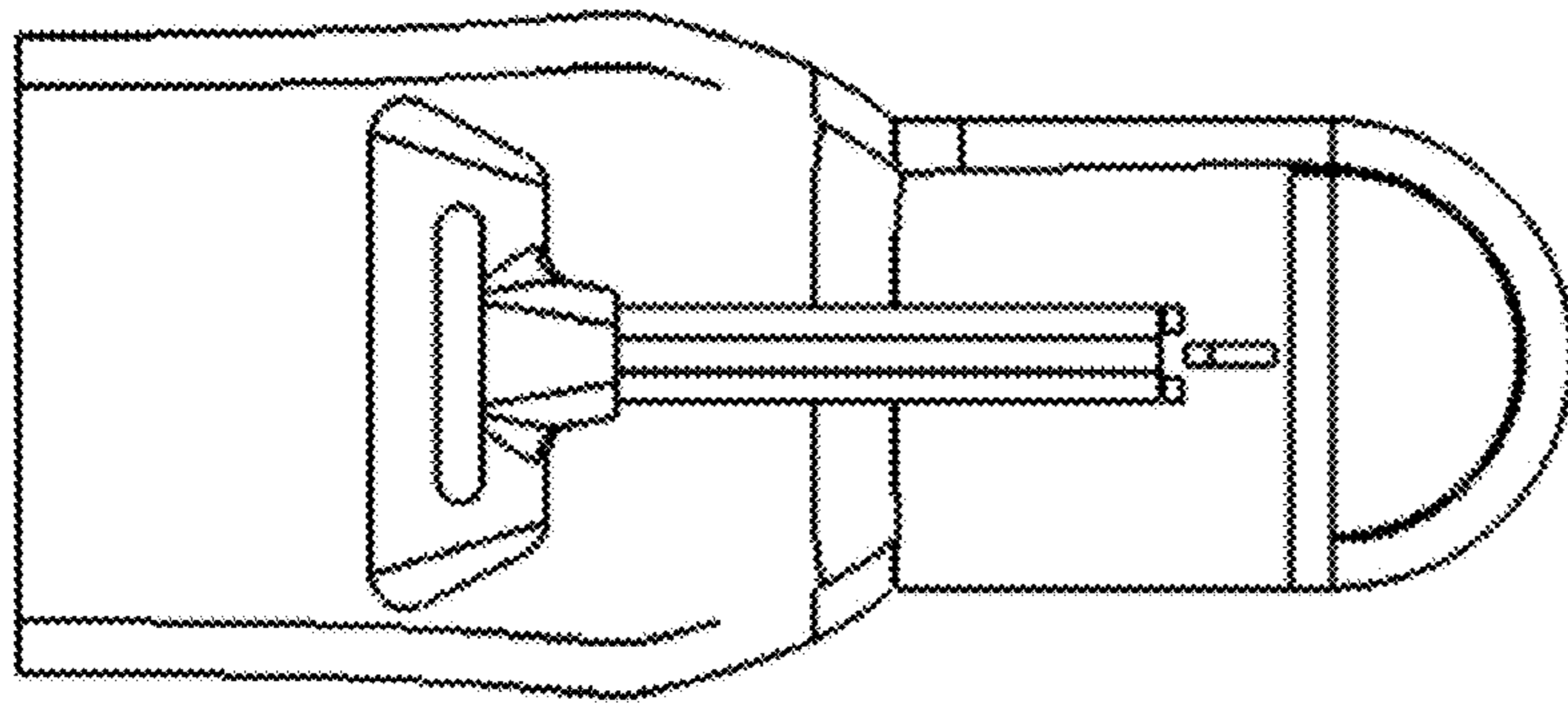


Fig. 5

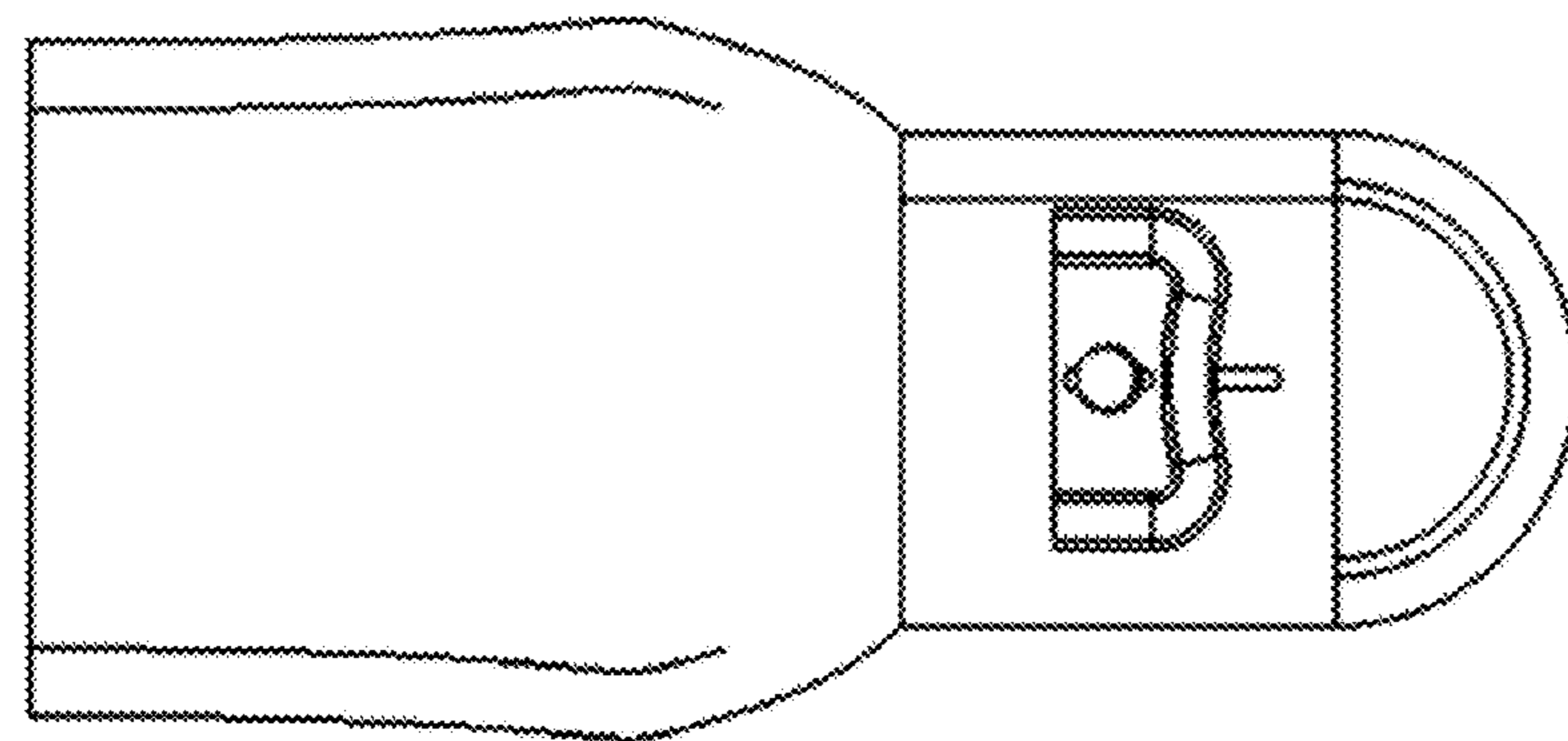


Fig. 6

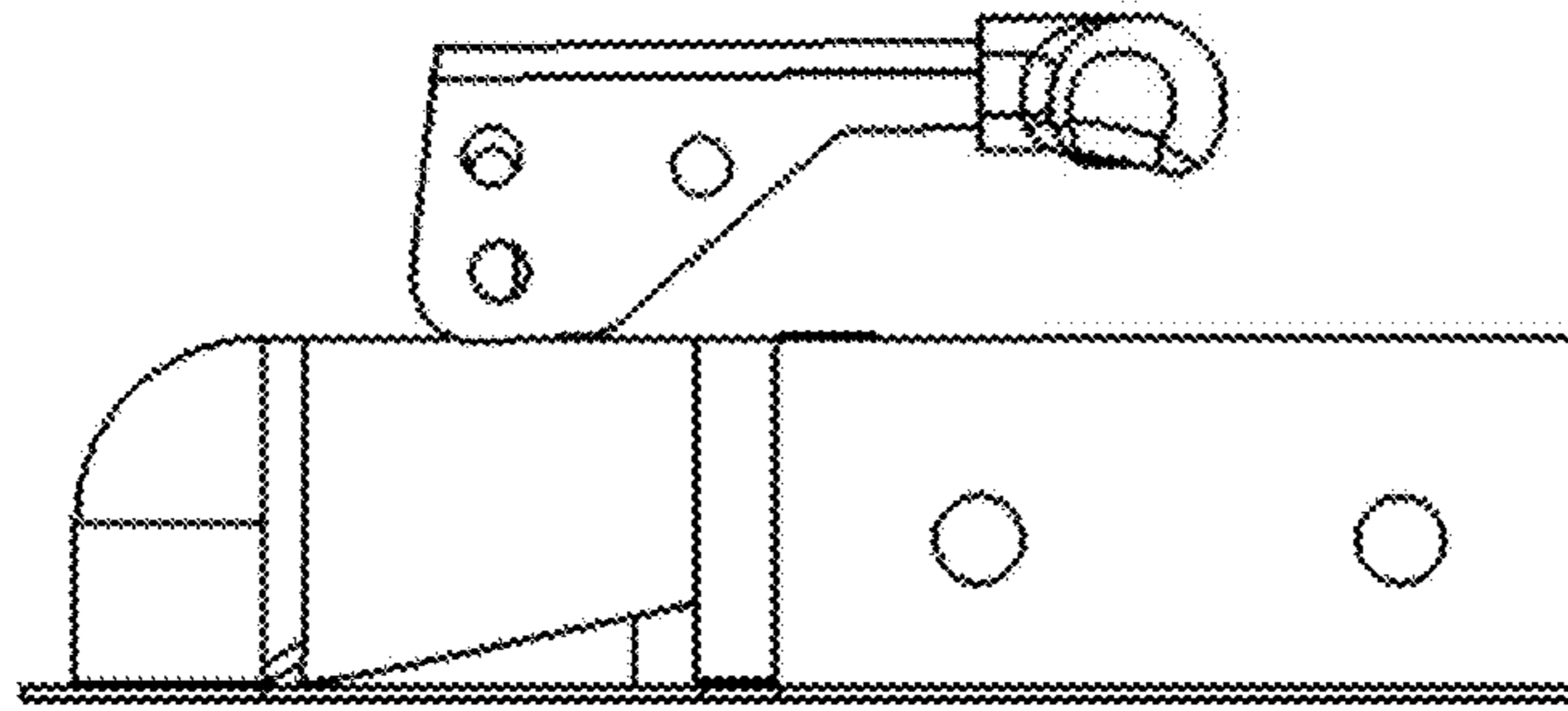


Fig. 7

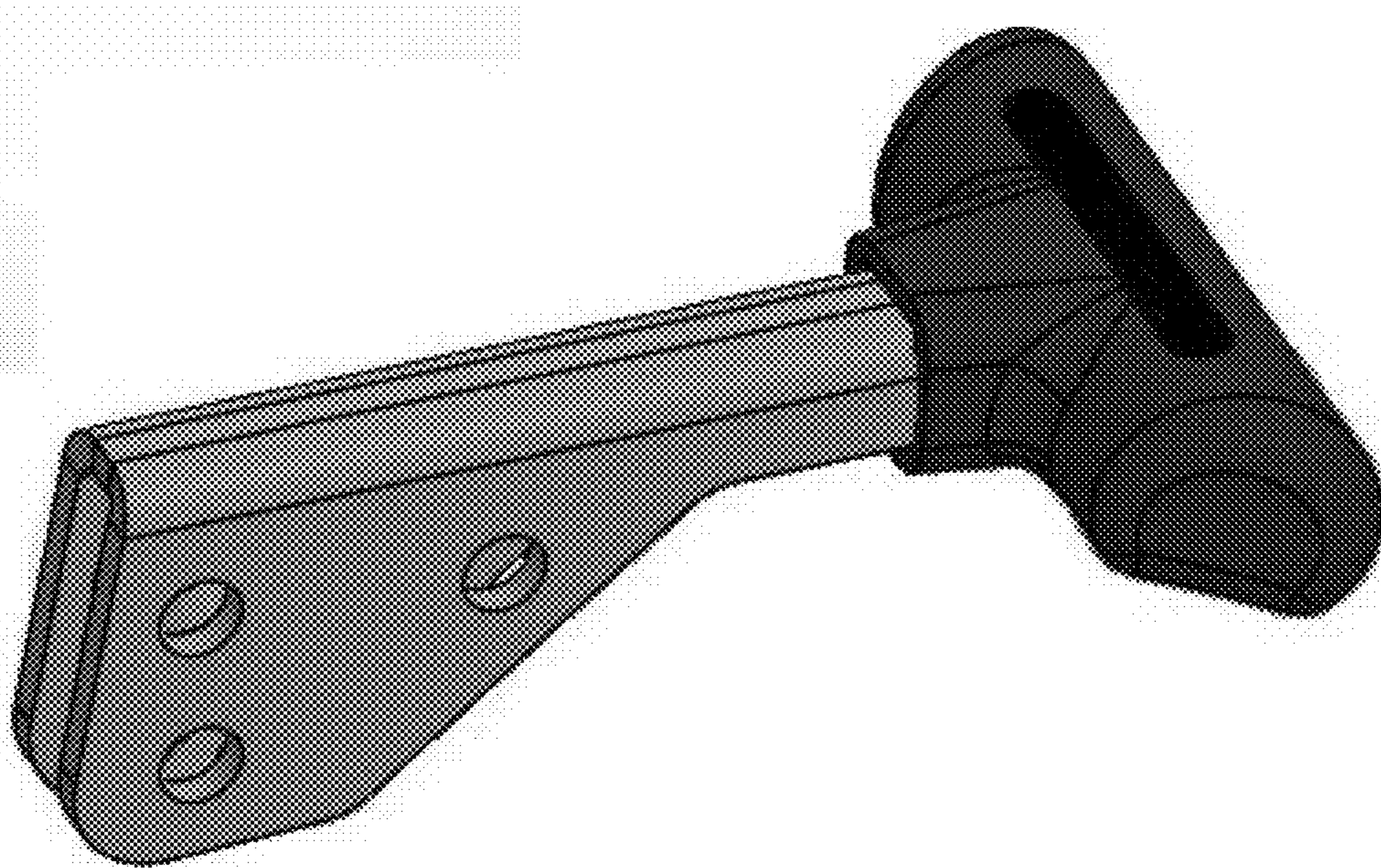


Fig. 8