



US00D737733S

(12) **United States Design Patent**
Zhong et al.

(10) **Patent No.:** **US D737,733 S**
(45) **Date of Patent:** **** Sep. 1, 2015**

(54) **STROLLER**

(56) **References Cited**

(71) Applicant: **Wonderland Nurserygoods Company Limited**, Central (HK)

U.S. PATENT DOCUMENTS

(72) Inventors: **Zhi Ren Zhong**, Central (HK);
Wanquan Zhu, Central (HK)

D580,828 S *	11/2008	Chen	D12/129
D585,336 S *	1/2009	van Buul et al.	D12/129
D621,306 S *	8/2010	Liao	D12/129
D631,401 S *	1/2011	Bagwell et al.	D12/129
D631,402 S *	1/2011	Bagwell et al.	D12/129
D643,786 S *	8/2011	Barenbrug	D12/129
8,033,555 B2 *	10/2011	Mostert et al.	280/47.38
D651,139 S *	12/2011	Angelfoss et al.	D12/129

(73) Assignee: **WONDERLAND NURSERYGOODS COMPANY LIMITED**, Central (HK)

* cited by examiner

(**) Term: **14 Years**

Primary Examiner — Ian Simmons

(21) Appl. No.: **29/460,090**

Assistant Examiner — Charles Hanson

(22) Filed: **Jul. 8, 2013**

(74) *Attorney, Agent, or Firm* — Bacon & Thomas, PLLC

(30) **Foreign Application Priority Data**

(57) **CLAIM**

The ornamental design for a stroller, as shown and described.

Jan. 11, 2013 (CN) 2013 3 0008578

DESCRIPTION

(51) **LOC (10) Cl.** **12-12**

FIG. 1 is a perspective view of a stroller in accordance with our new design;

(52) **U.S. Cl.**

FIG. 2 is a front elevational view thereof;

USPC **D12/129**

FIG. 3 is a rear elevational view thereof;

(58) **Field of Classification Search**

FIG. 4 is a top plan view thereof;

USPC D12/128-133; 280/62, 647-650, 29,
280/200, 47.38, 250.1, 259, 642, 658,
280/304.1; 128/99.1, 100.1

FIG. 5 is a bottom plan view thereof;

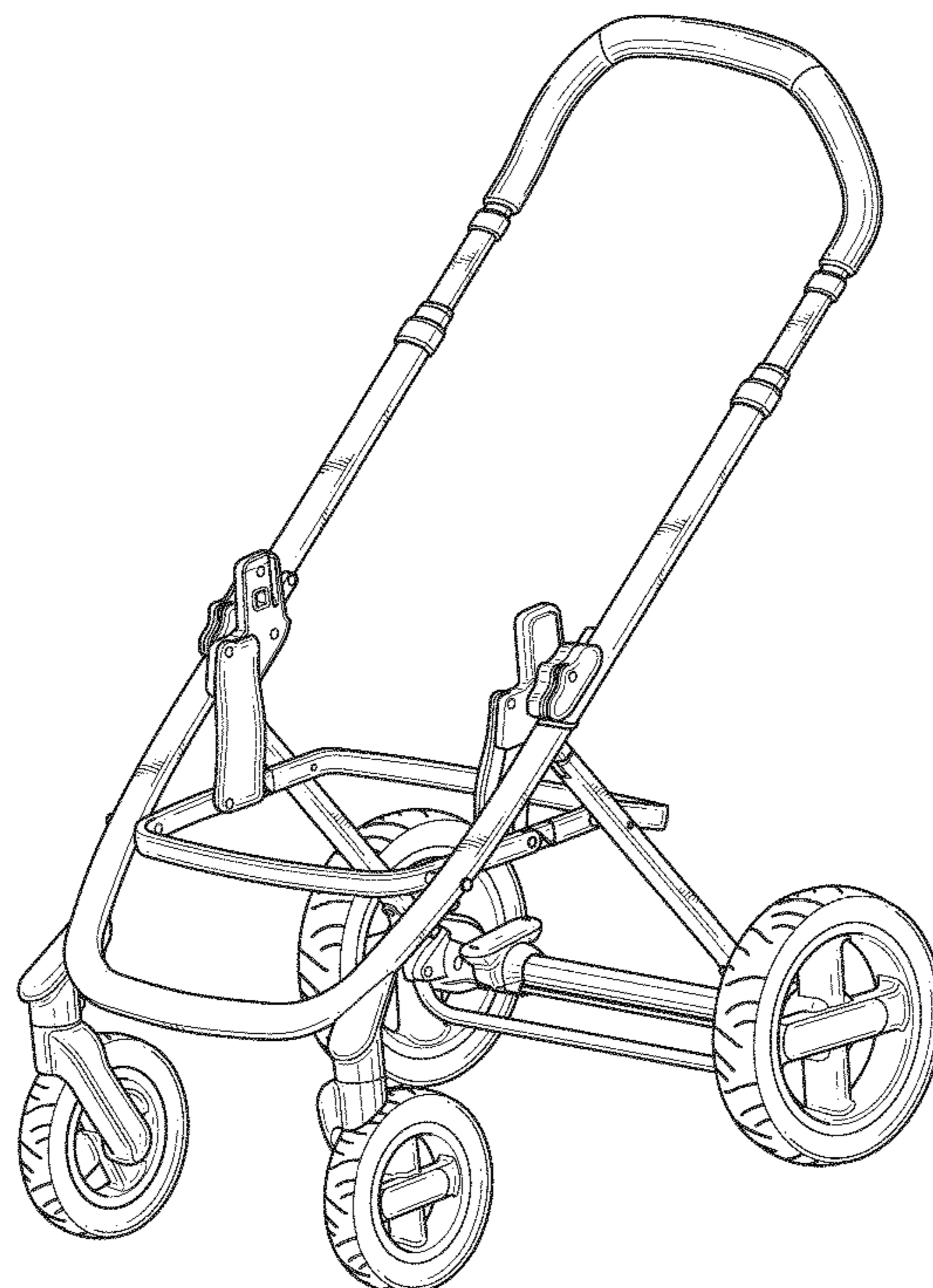
CPC B62B 7/00-7/04; B62B 9/00-9/28

FIG. 6 is a left side elevational view thereof; and,

See application file for complete search history.

FIG. 7 is a right side elevational view thereof.

1 Claim, 7 Drawing Sheets



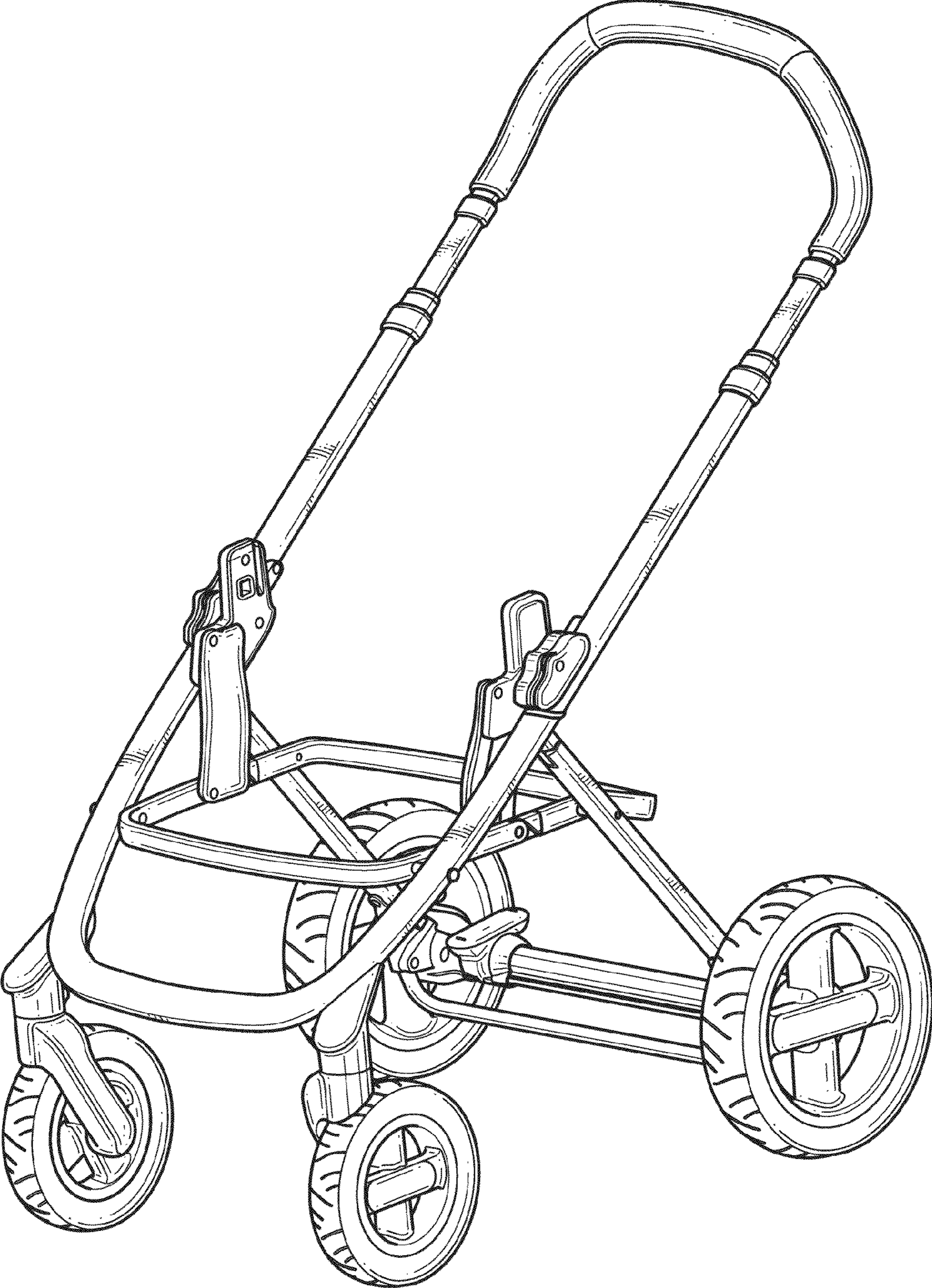


Fig. 1

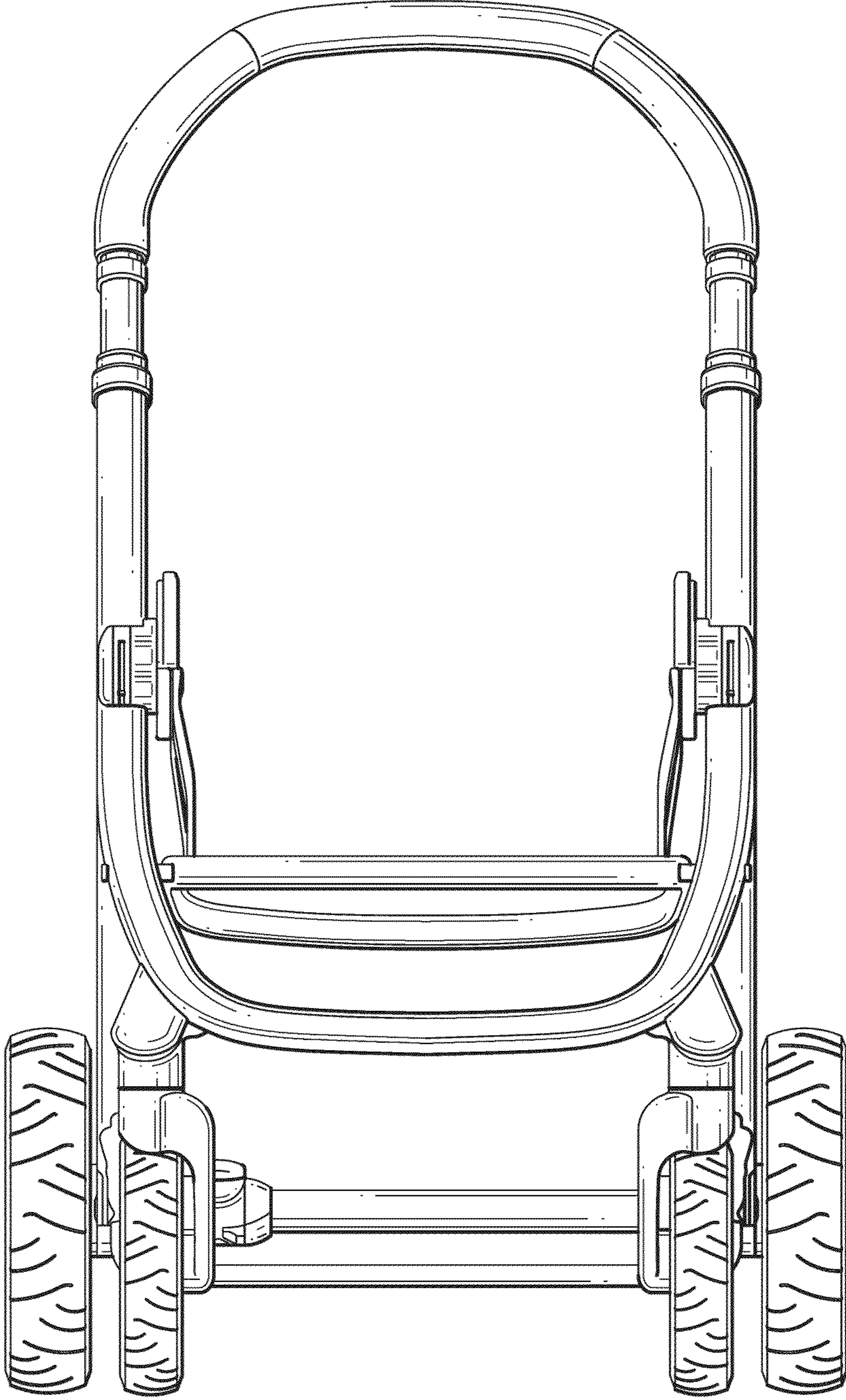


Fig. 2

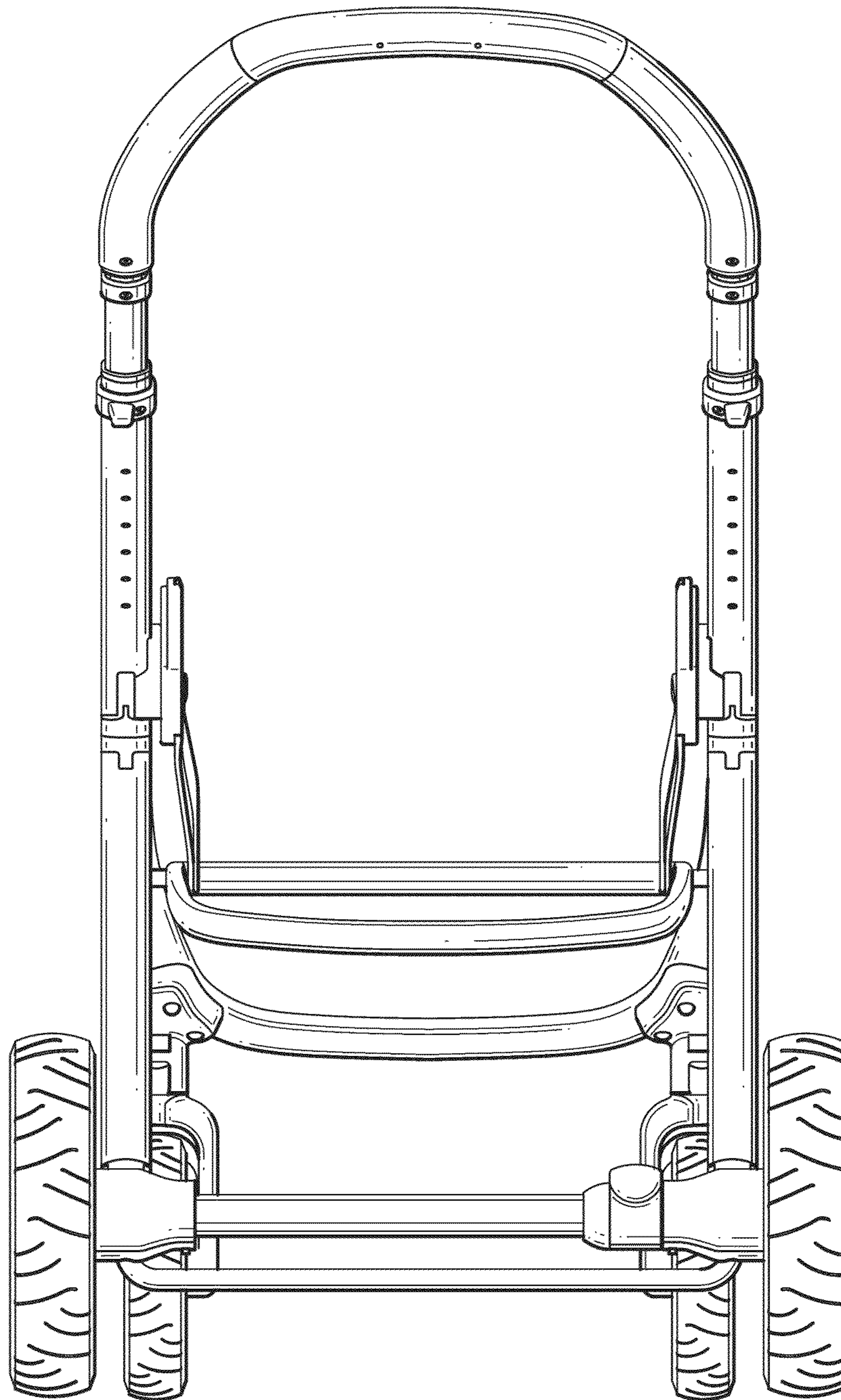


Fig. 3

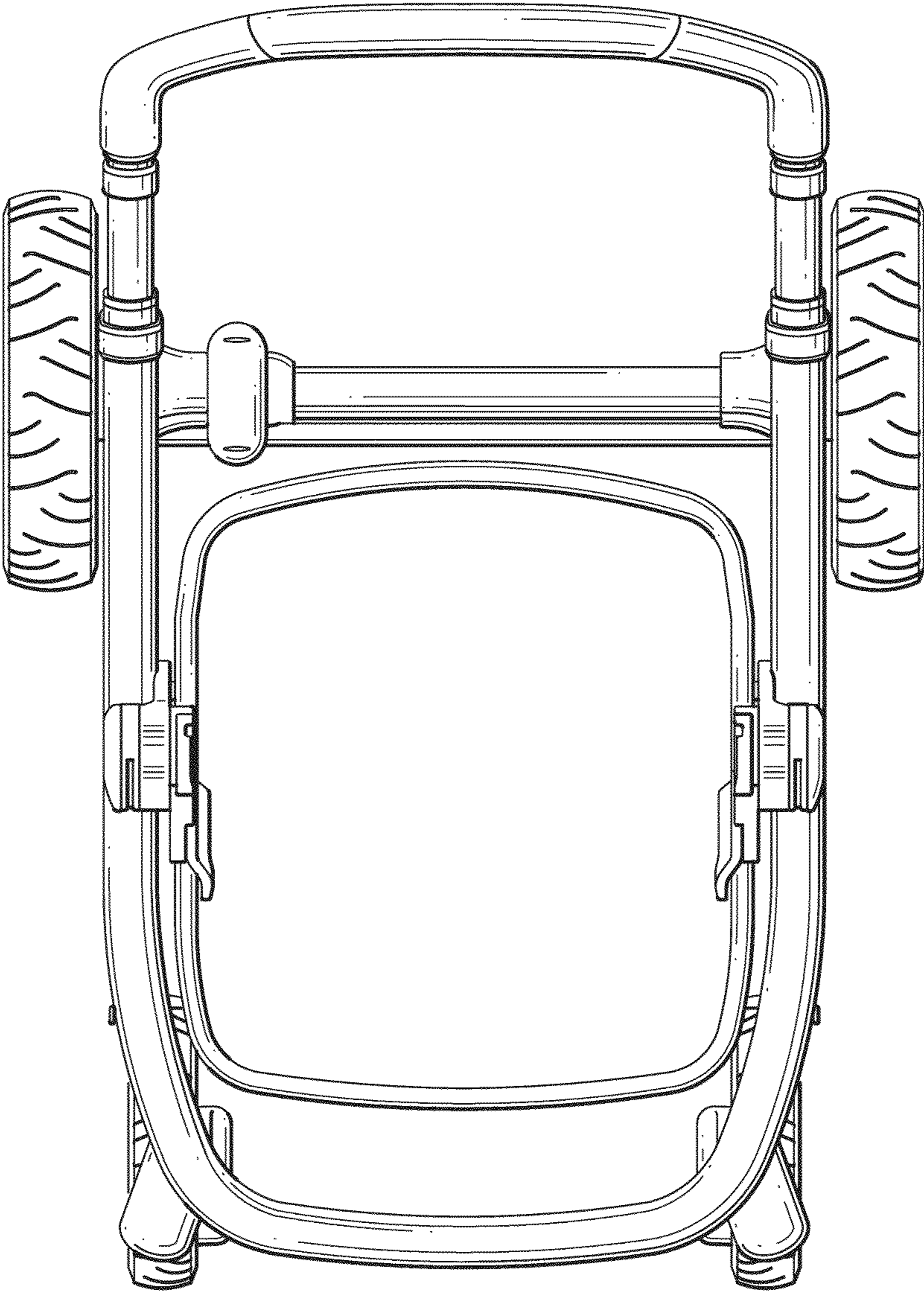


Fig. 4

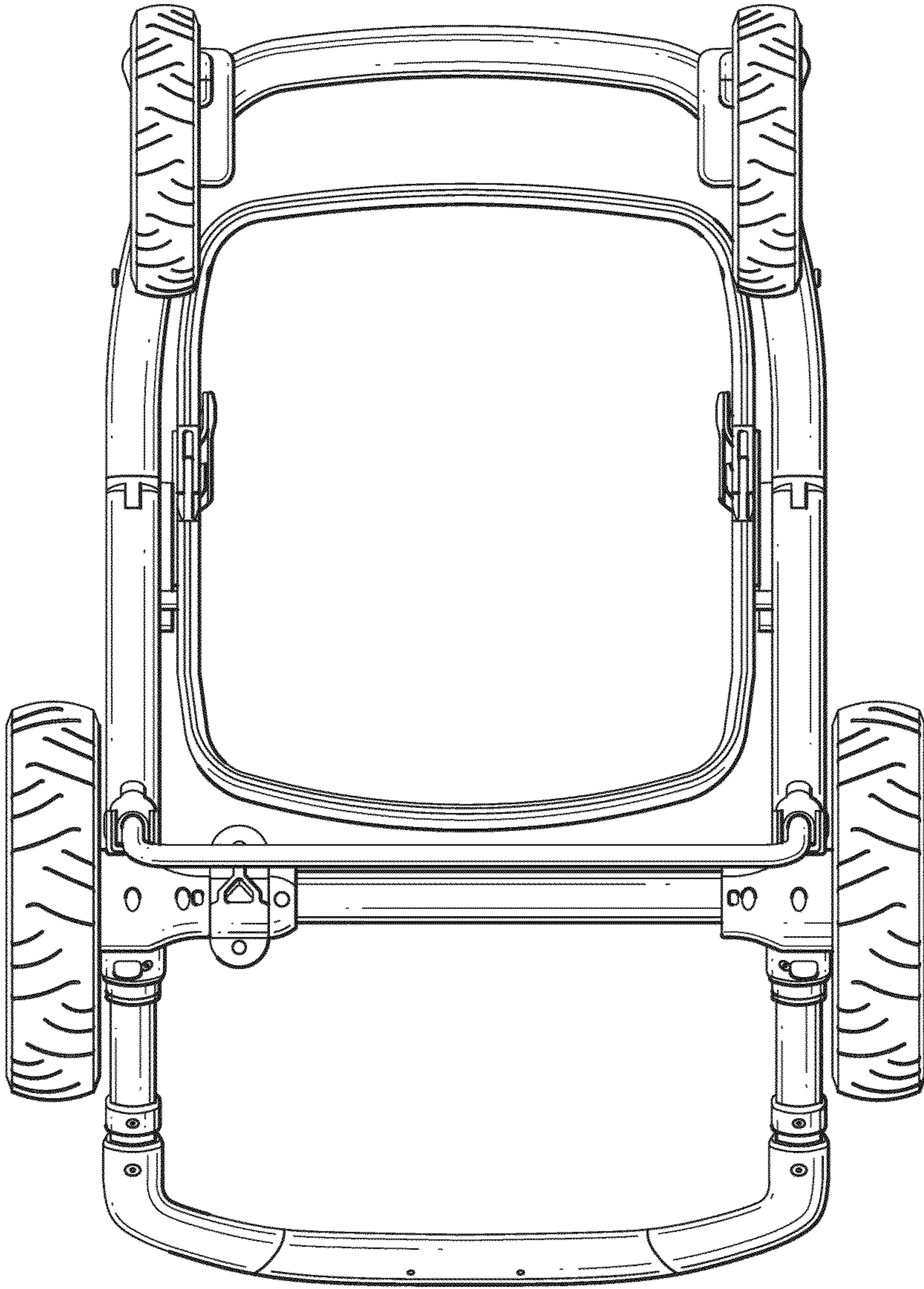


Fig. 5

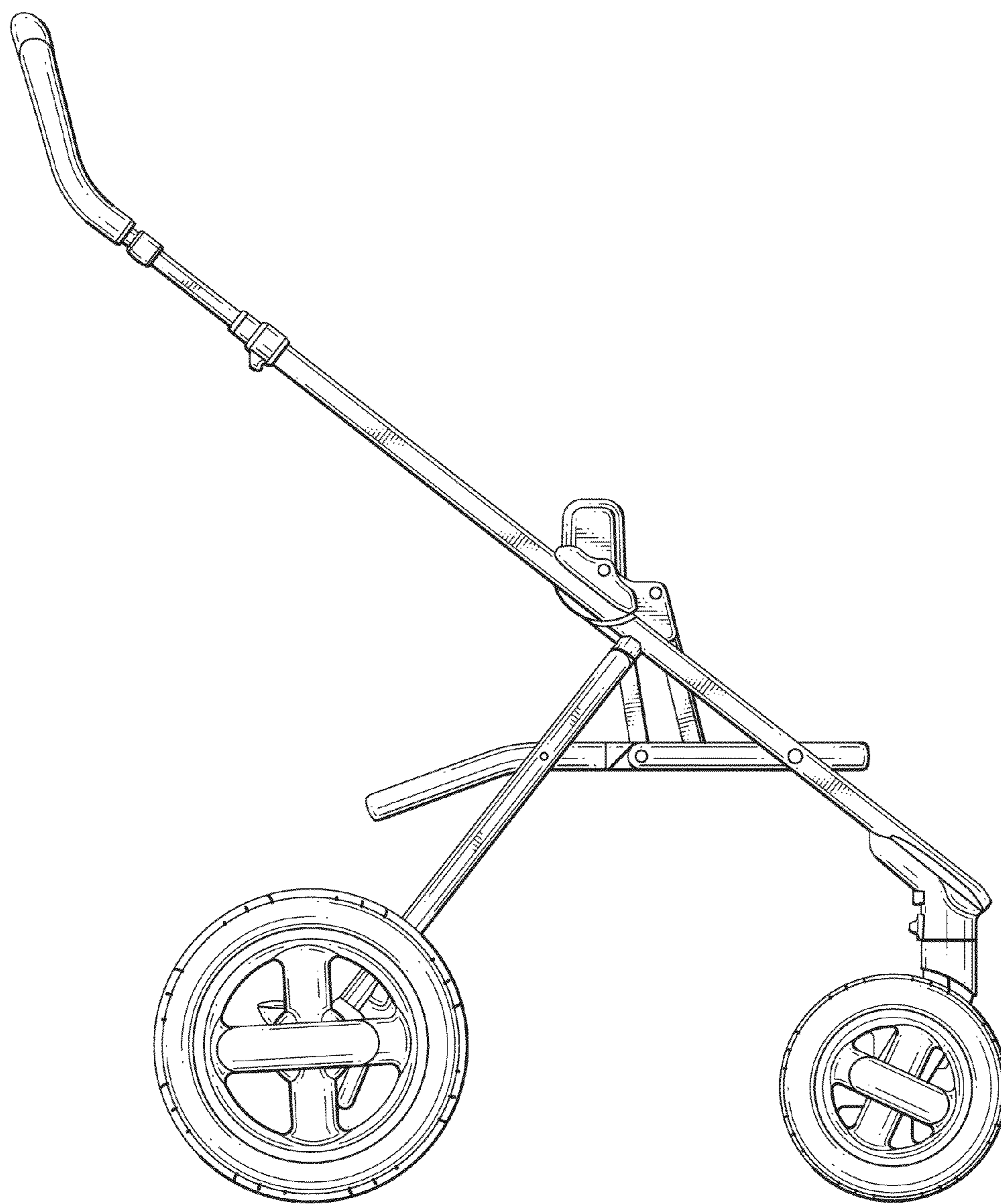


Fig. 6

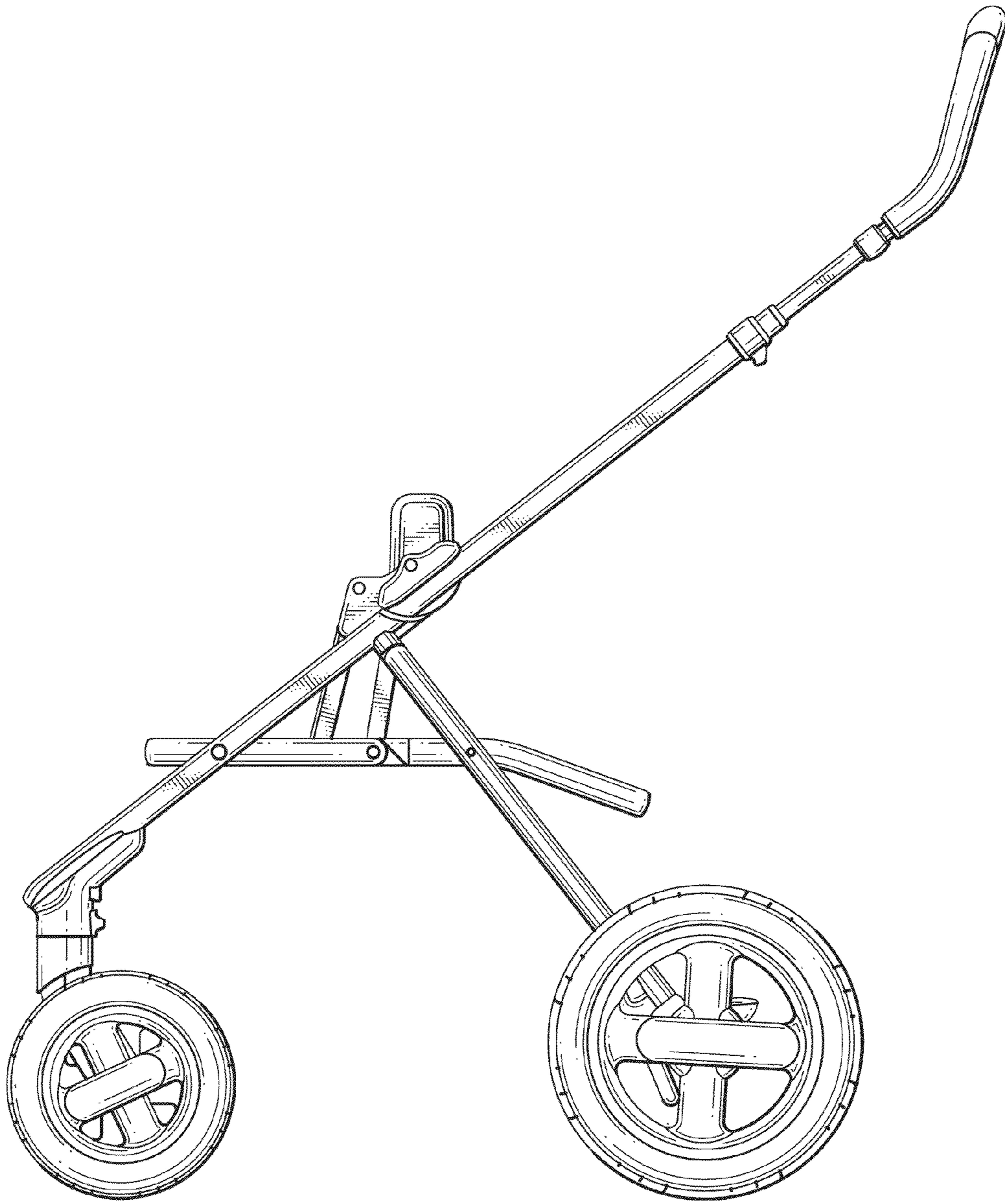


Fig. 7