



US00D737731S

(12) **United States Design Patent**
McNeeley

(10) **Patent No.:** **US D737,731 S**
(45) **Date of Patent:** **** Sep. 1, 2015**

(54) **BLUNTED FORK EXTENDER**
(71) Applicant: **Misty Michele McNeeley**, Smyrna, GA
(US)
(72) Inventor: **Misty Michele McNeeley**, Smyrna, GA
(US)

(**) Term: **14 Years**

(21) Appl. No.: **29/485,476**

(22) Filed: **Mar. 19, 2014**

(51) **LOC (10) Cl.** **12-11**

(52) **U.S. Cl.**
USPC **D12/118**

(58) **Field of Classification Search**
USPC D12/110, 118, 126, 204, 213, 400;
D8/397, 307, 310, 352, 353, 367, 373,
D8/376, 378; D9/435, 445, 680; D14/205,
D14/206, 223; D22/116; D24/106, 173,
D24/174, 200; D28/87; 180/219; 301/65;
411/374, 429, 430, 431, 432, 433, 925;
406/404; D6/550; D21/386, 387, 388,
D21/389, 390, 726; D23/154, 238, 250
CPC B62K 19/38; B62K 25/08; B62L 1/00;
B62L 1/005; F16D 55/228; F16D 2055/002;
F16D 2055/0012; F16D 2121/02
See application file for complete search history.

(56) **References Cited**

U.S. PATENT DOCUMENTS

D128,847 S * 8/1941 Petzold D28/88
D129,291 S * 9/1941 Petzold D28/88
D130,375 S * 11/1941 Zimmerman D28/89
D223,562 S * 5/1972 Madeira et al. D9/674
D235,973 S * 7/1975 Edwards et al. D9/500
4,585,245 A * 4/1986 Rose 280/277
D385,178 S * 10/1997 Poulin D8/376
D414,142 S * 9/1999 Matyas D12/126
D451,363 S * 12/2001 Miller D8/321
D483,302 S * 12/2003 James D12/118
D500,952 S * 1/2005 Moore D9/600
6,837,165 B2 * 1/2005 Eberhart et al. 102/510
D515,859 S * 2/2006 Gilbert D6/550

D517,360 S * 3/2006 Chen D6/550
7,014,603 B2 * 3/2006 Stein 482/148
D536,931 S * 2/2007 Spellman D7/594
D545,726 S * 7/2007 Francis D12/118
D574,453 S * 8/2008 Belhaj et al. D21/726
D584,398 S * 1/2009 Benner D24/106
D602,663 S * 10/2009 Pennington D32/35
D615,818 S * 5/2010 Jansen D7/515

(Continued)

OTHER PUBLICATIONS

“Bullet Fork Covers.” Motorcycle-Superstore., Oct. 25, 2013
[online], [retrieved on Nov. 29, 2014]. Retrieved from the Internet
<URL: http://www.motorcycle-superstore.com/27217/i/show-chrome-bullet-fork-covers?SiteID=SLIIFork%20Caps&WT.MC_ID=10010>.*

(Continued)

Primary Examiner — Philip S Hyder
Assistant Examiner — Darlington Ly
(74) *Attorney, Agent, or Firm* — Thomas I Horstemeyer,
LLP

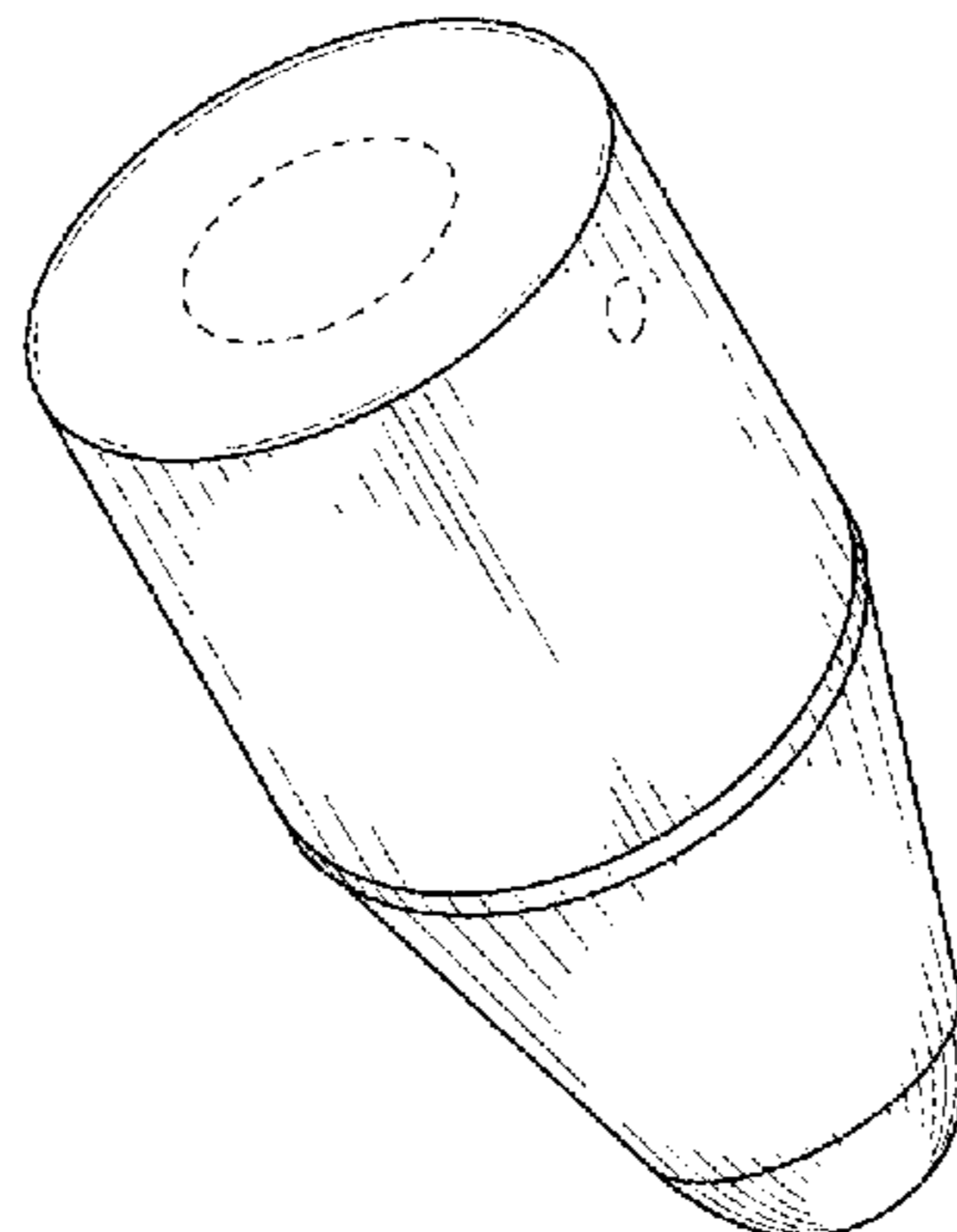
(57) **CLAIM**

The ornamental design for a blunted fork extender, as shown and described.

DESCRIPTION

FIG. 1 is a perspective view showing my new blunted fork extender;
FIG. 2 is a left side view thereof;
FIG. 3 is a right side view thereof;
FIG. 4 is a front view thereof;
FIG. 5 is a back view thereof;
FIG. 6 is a bottom view thereof;
FIG. 7 is a top view thereof; and,
FIG. 8 is a view illustrating an example of the blunted fork extender when attached to a fork of a motorcycle.
The broken lines illustrate portions of the blunted fork extender and environmental structure that form no part of the claimed design.

1 Claim, 2 Drawing Sheets



(56)

References Cited

OTHER PUBLICATIONS

U.S. PATENT DOCUMENTS

D621,388	S	*	8/2010	Koss et al.	D14/223
D639,280	S	*	6/2011	Hayes	D14/223
D664,042	S	*	7/2012	Kurpis	D9/680
D682,413	S	*	5/2013	Gross et al.	D24/106
D685,848	S	*	7/2013	Chu	D19/48
D686,921	S	*	7/2013	Odobescu	D9/680
D717,890	S	*	11/2014	Gramse	D21/726
2003/0217665	A1	*	11/2003	Rennard	102/430
2006/0005731	A1	*	1/2006	Muth	102/501
2006/0220291	A1	*	10/2006	Vincenzo F.	267/221

“Motorcycle Upgrade With Drag Specialties Parts—Cover It With Chrome.” Hot Bike Web., Oct. 1, 2009 [online], [retrieved on Nov. 29, 2014]. Retrieved from the Internet <URL: <http://www.hotbikeweb.com/motorcycle-upgrade-drag-specialties-parts-cover-it-chrome>>.*

* cited by examiner

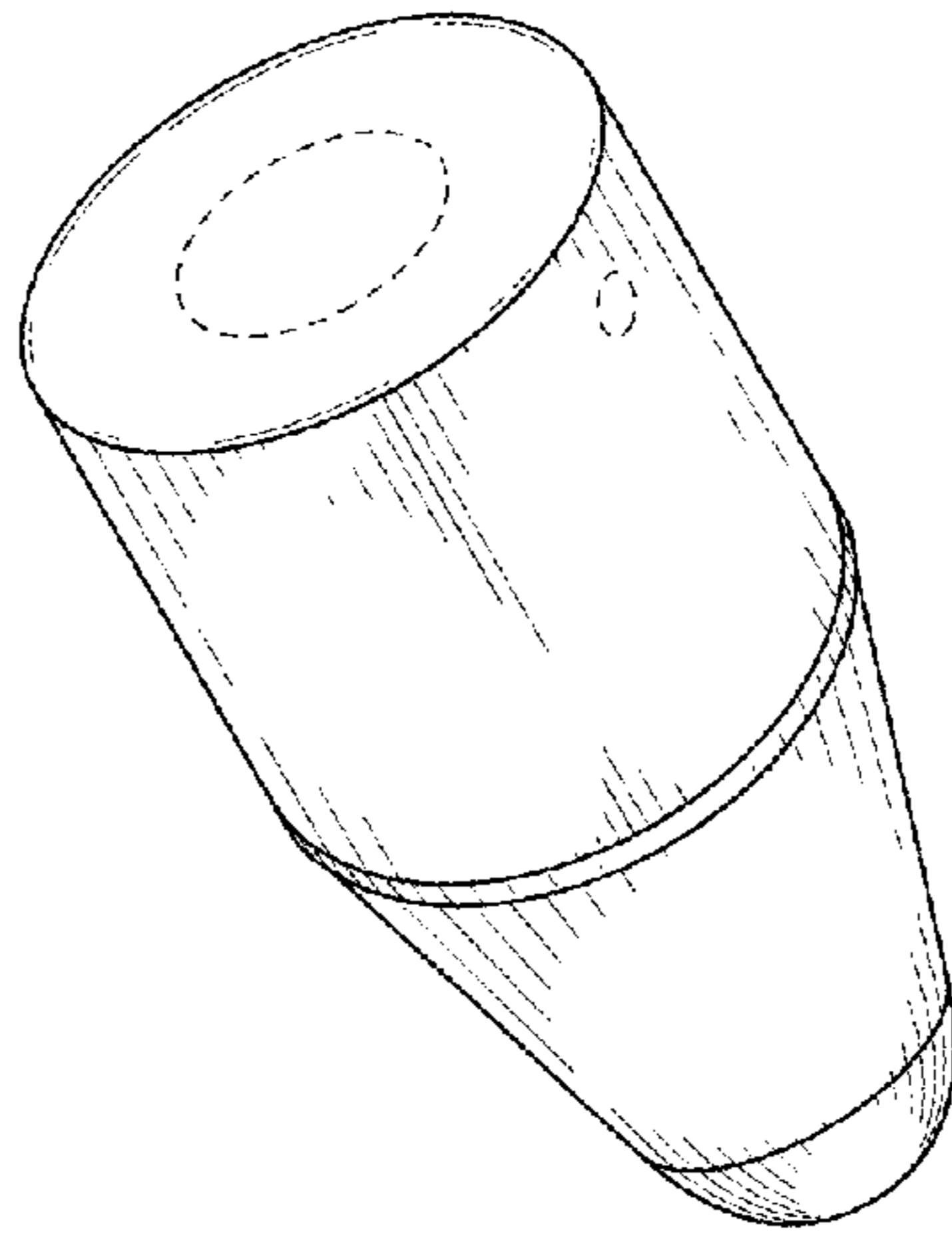


FIG. 1

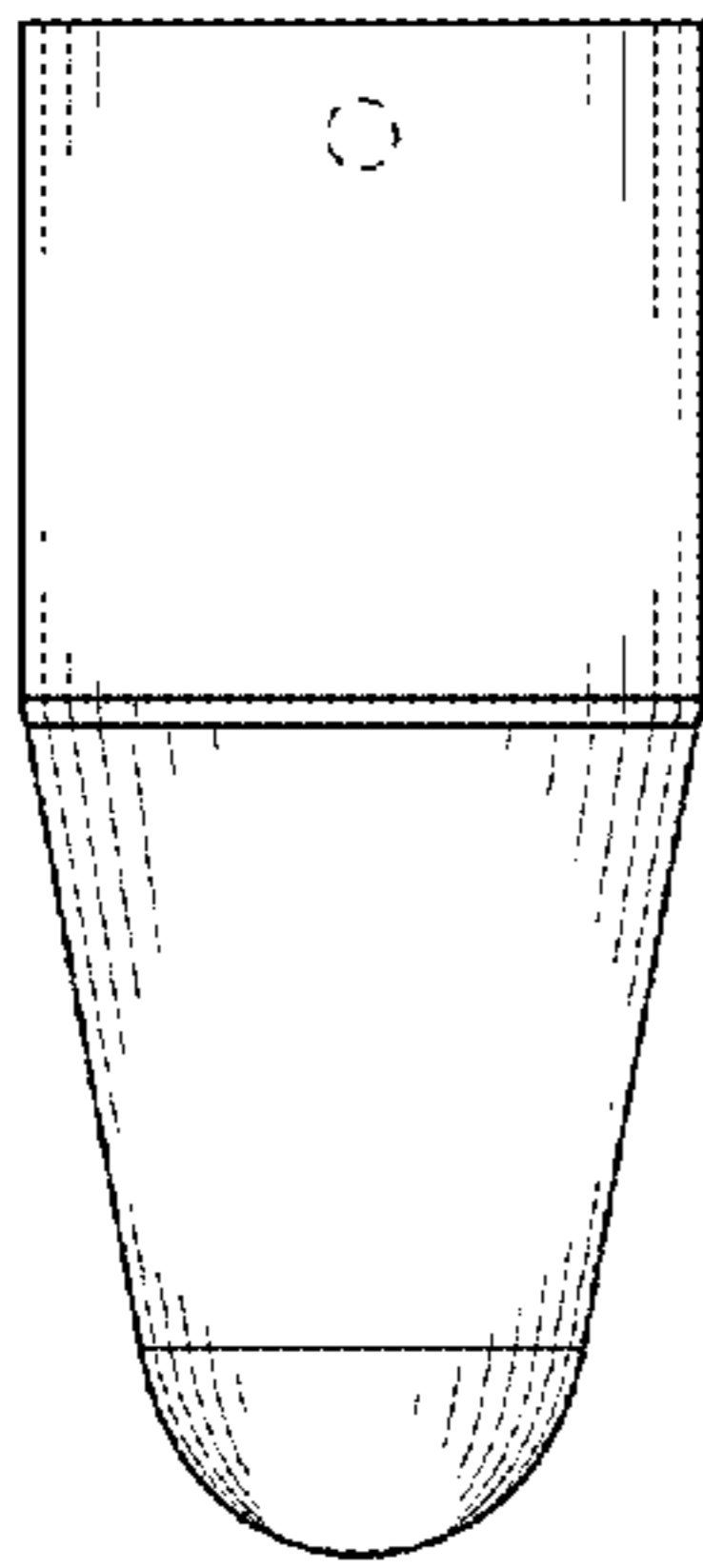


FIG. 2

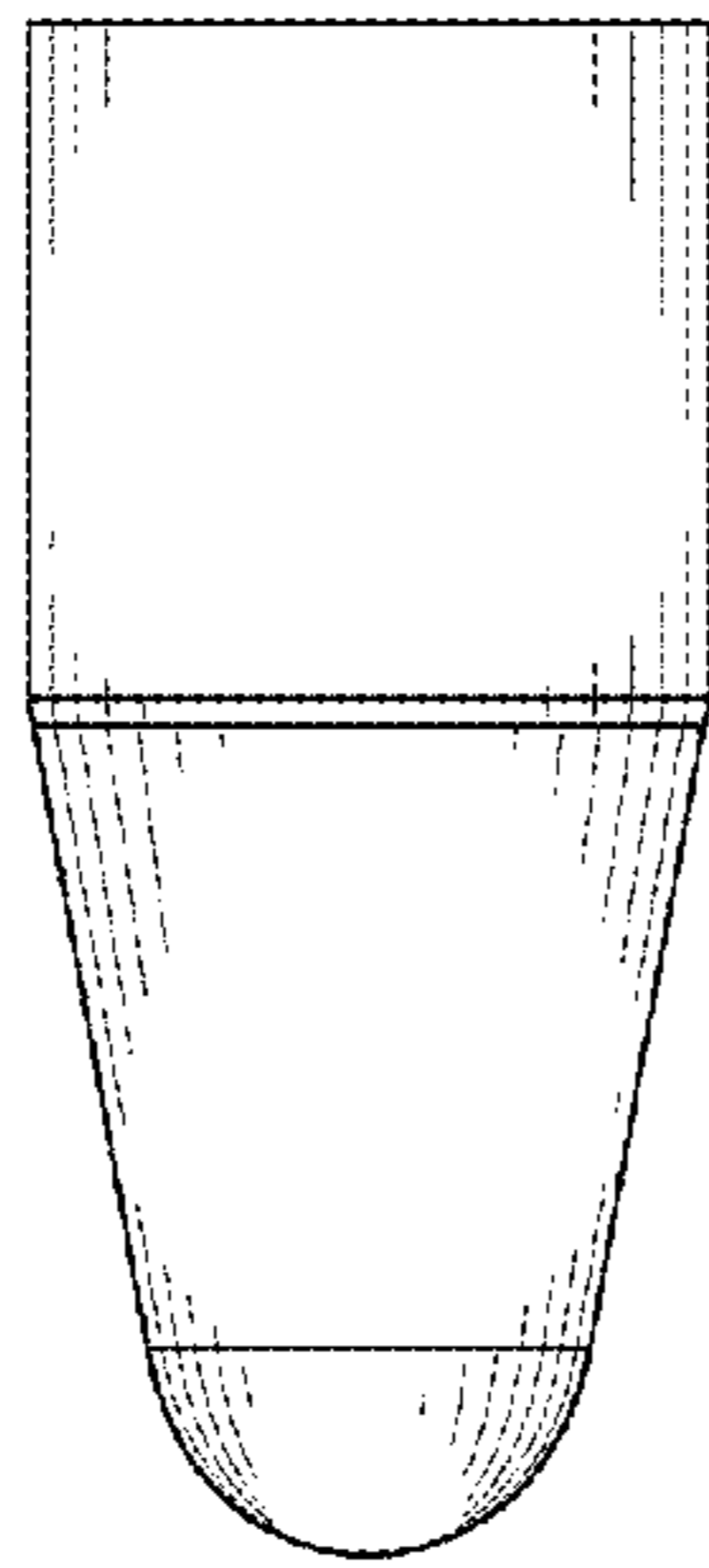


FIG. 3

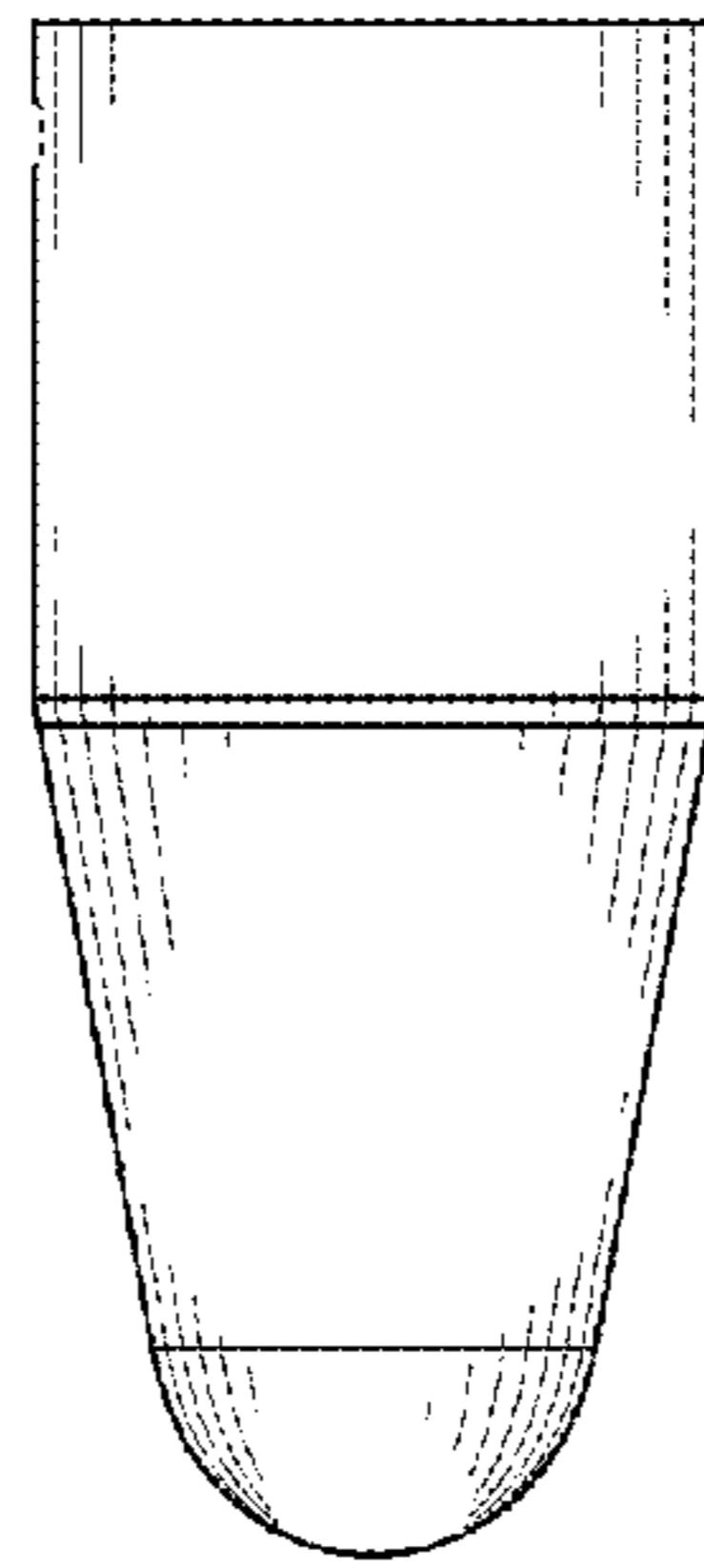


FIG. 4

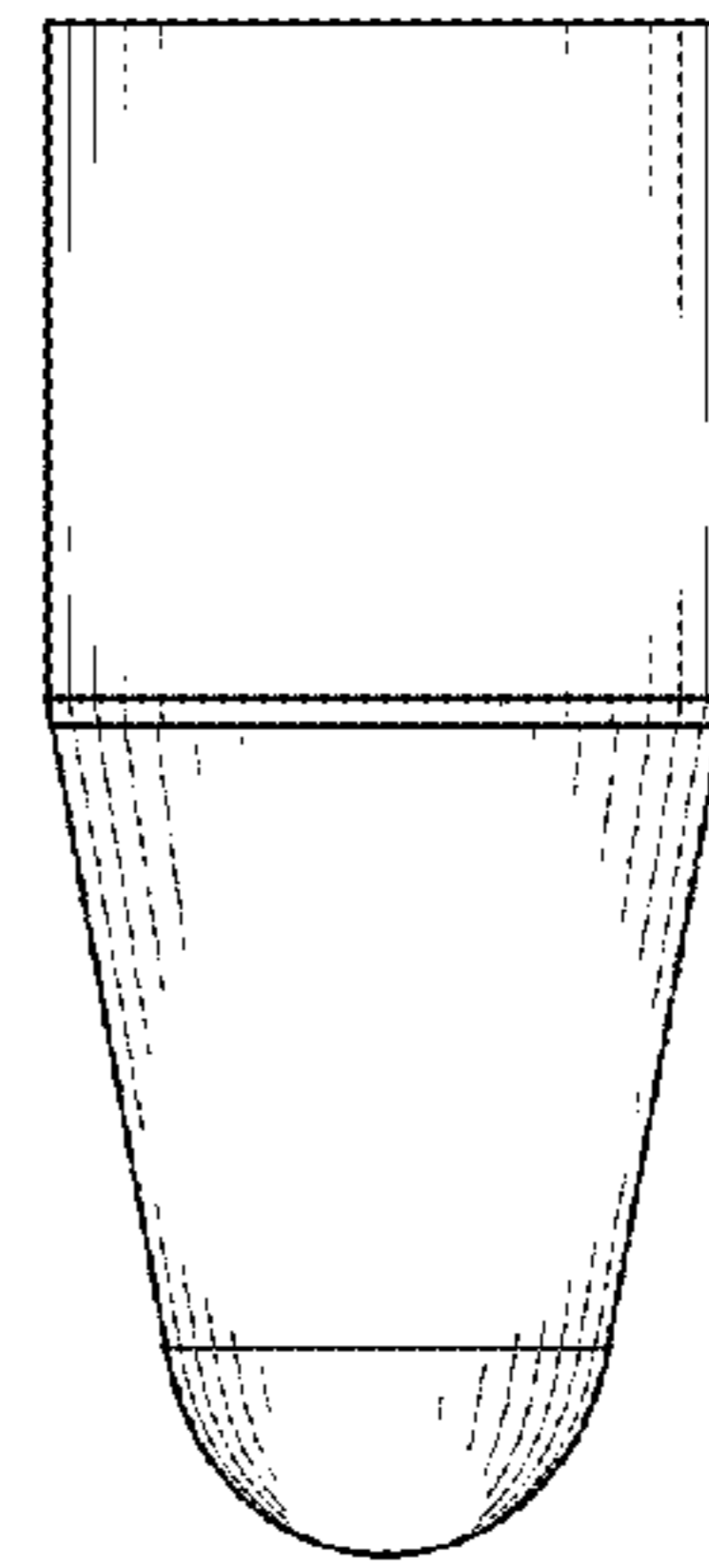


FIG. 5

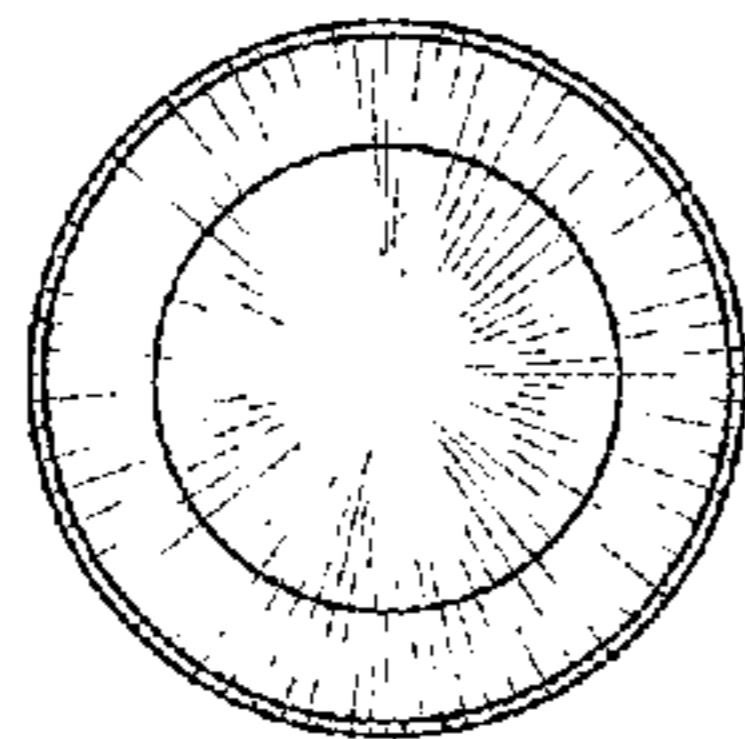


FIG. 6

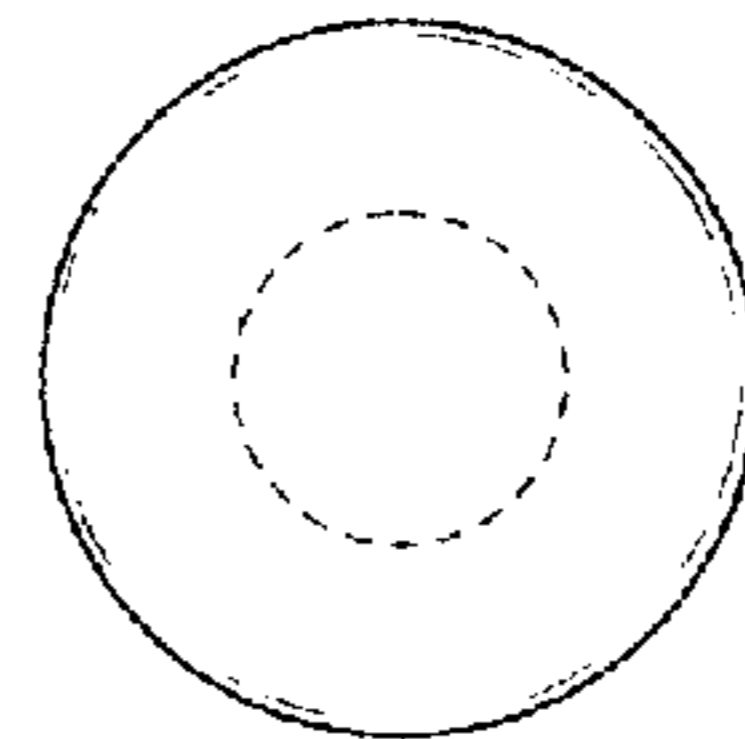


FIG. 7

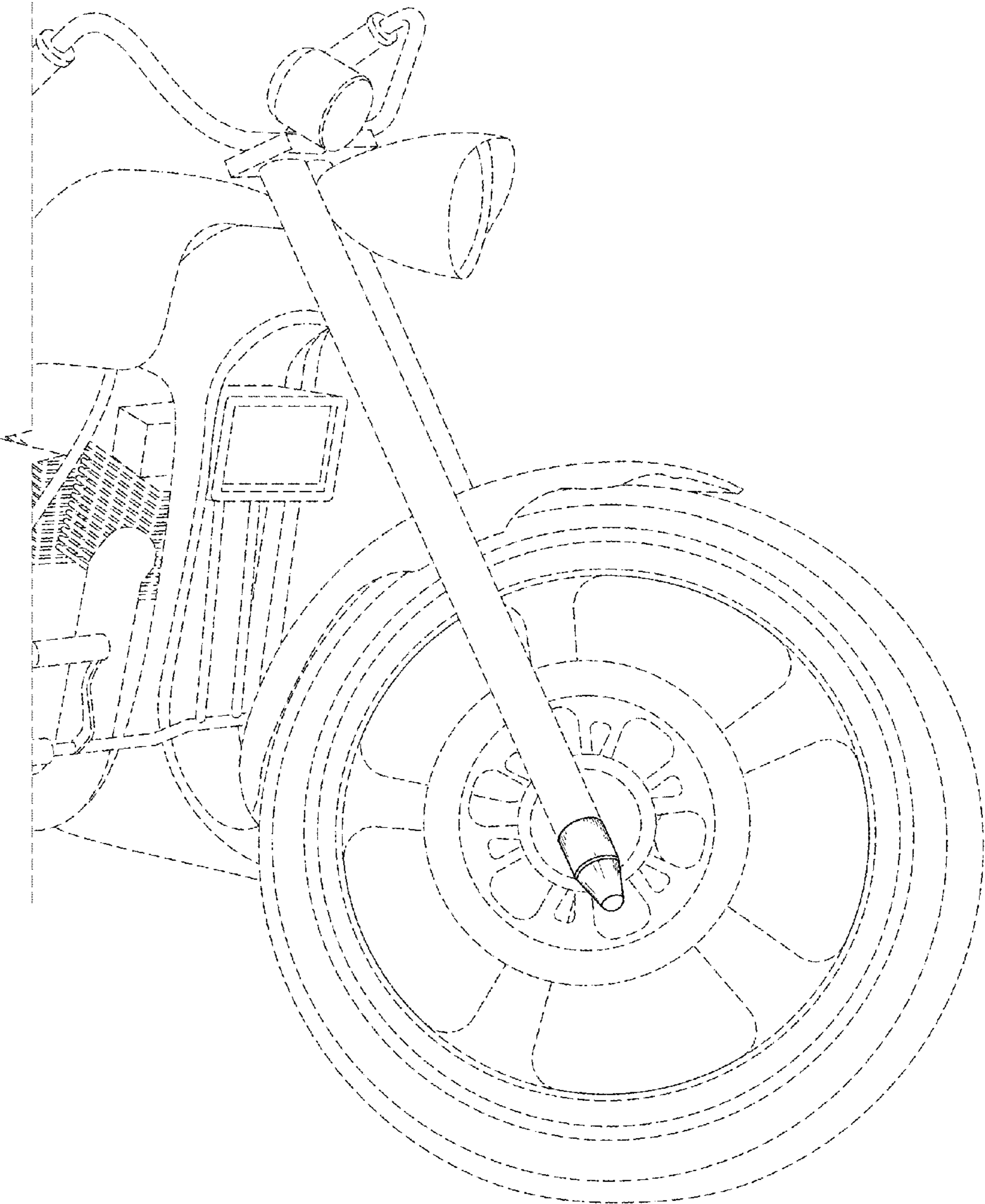


FIG. 8