



US00D737730S

(12) **United States Design Patent**
Yaeger

(10) **Patent No.:** **US D737,730 S**

(45) **Date of Patent:** **** Sep. 1, 2015**

(54) **FORK CROWN**

(71) Applicant: **Sky Yaeger**, San Rafael, CA (US)

(72) Inventor: **Sky Yaeger**, San Rafael, CA (US)

(73) Assignee: **Shinola/Detroit, LLC**, Plano, TX (US)

(**) Term: **14 Years**

(21) Appl. No.: **29/471,430**

(22) Filed: **Oct. 31, 2013**

(51) **LOC (10) Cl.** **12-11**

(52) **U.S. Cl.**

USPC **D12/118**

(58) **Field of Classification Search**

USPC D12/118, 117; 280/280, 276, 279,
280/281.1, 274, 288.4; 188/314, 282.4;
267/166, 178, 179

CPC B62K 25/08; B62K 21/02; B62K 19/16;
B62K 25/02; B62K 21/06

See application file for complete search history.

| | | | | |
|--------------|------|---------|----------------|-----------|
| 6,976,692 | B2 * | 12/2005 | Miyoshi et al. | 280/280 |
| D524,700 | S * | 7/2006 | Savage et al. | D12/118 |
| 7,137,638 | B2 * | 11/2006 | Turner | 280/276 |
| D541,197 | S * | 4/2007 | Costa | D12/118 |
| D544,818 | S * | 6/2007 | Costa | D12/118 |
| D652,355 | S * | 1/2012 | Parvey | D12/118 |
| 8,696,007 | B2 * | 4/2014 | Jankura et al. | 280/281.1 |
| 2004/0070167 | A1 * | 4/2004 | Lin | 280/276 |
| 2005/0012297 | A1 * | 1/2005 | Miyoshi et al. | 280/280 |
| 2005/0189185 | A1 * | 9/2005 | Turner | 188/282.4 |
| 2008/0099968 | A1 * | 5/2008 | Schroeder | 267/166 |
| 2009/0014980 | A1 * | 1/2009 | Chuang | 280/279 |
| 2009/0243251 | A1 * | 10/2009 | Galasso et al. | 280/279 |
| 2010/0102530 | A1 * | 4/2010 | Achenbach | 280/276 |
| 2012/0018265 | A1 * | 1/2012 | Becker et al. | 188/314 |

* cited by examiner

Primary Examiner — Robert M Spear

Assistant Examiner — Ryan Harvey

(74) *Attorney, Agent, or Firm* — John G. Fischer, Esq.;
Jaspal S. Hare, Esq.; Scheef & Stone, L.L.P.

(57) **CLAIM**

I claim the ornamental design for a fork crown, as shown and described.

(56) **References Cited**

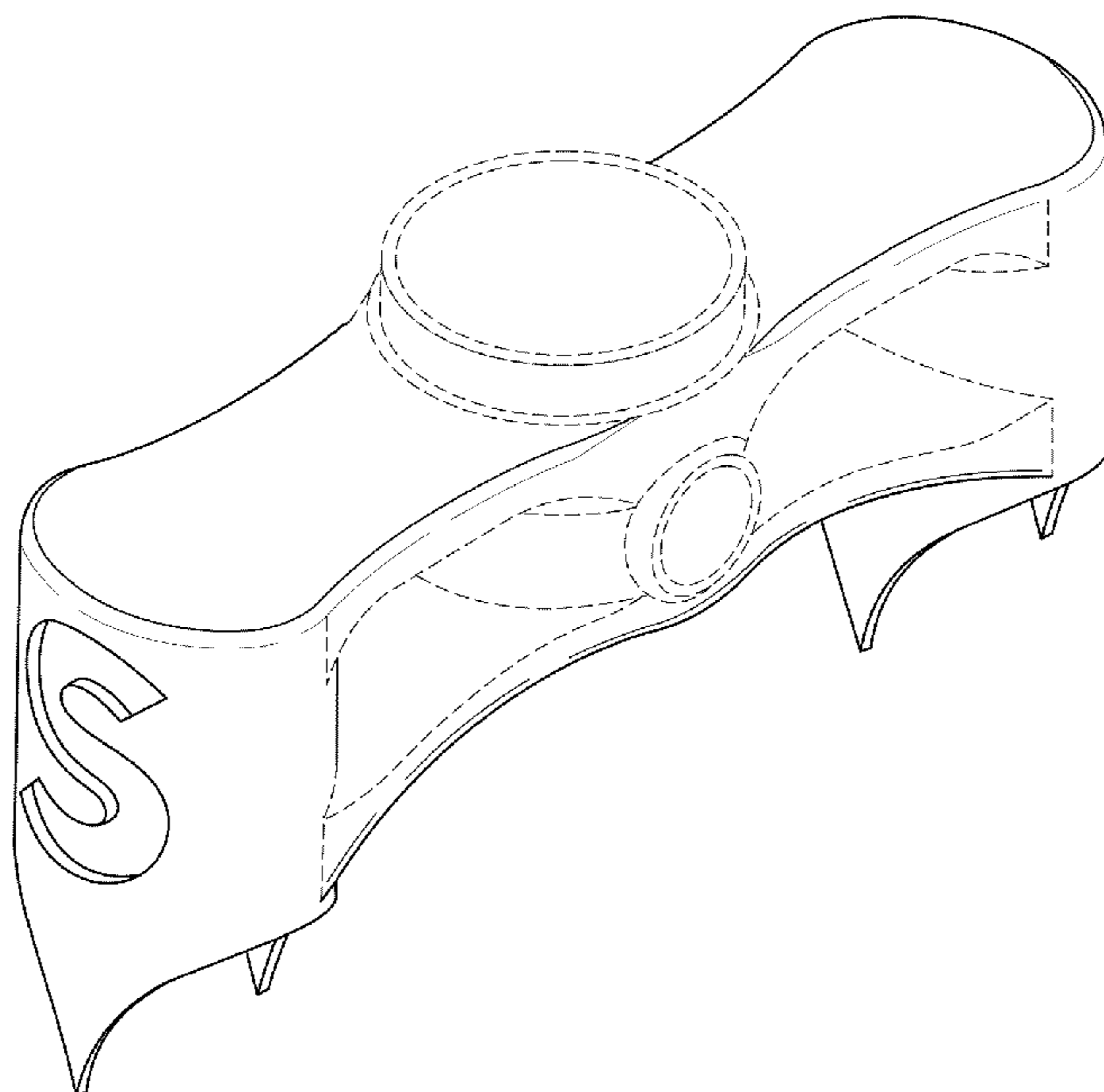
U.S. PATENT DOCUMENTS

| | | | | |
|-----------|-----|---------|-------------------|---------|
| 1,511,350 | A * | 10/1924 | Meiselbach | 280/280 |
| 3,910,600 | A * | 10/1975 | Sprick | 280/280 |
| D300,912 | S * | 5/1989 | Barchek et al. | D12/117 |
| D337,974 | S * | 8/1993 | Muller et al. | D12/117 |
| D368,681 | S * | 4/1996 | Behrens et al. | D12/118 |
| D406,083 | S * | 2/1999 | Turner | D12/118 |
| D414,141 | S * | 9/1999 | Tsai | D12/118 |
| D421,939 | S * | 3/2000 | Lin | D12/118 |
| D427,947 | S * | 7/2000 | Carpinelli et al. | D12/118 |
| D452,836 | S * | 1/2002 | Storz et al. | D12/118 |
| D494,108 | S * | 8/2004 | Liao | D12/118 |

DESCRIPTION

FIG. 1 is a perspective view of a fork crown;
FIG. 2 is a front view thereof;
FIG. 3 is a back view thereof;
FIG. 4 is a top view thereof;
FIG. 5 is a bottom view thereof;
FIG. 6 is a left side view thereof; and,
FIG. 7 is a right side view thereof.
The broken lines illustrate portions of the article that form no part of the claimed design.

1 Claim, 4 Drawing Sheets



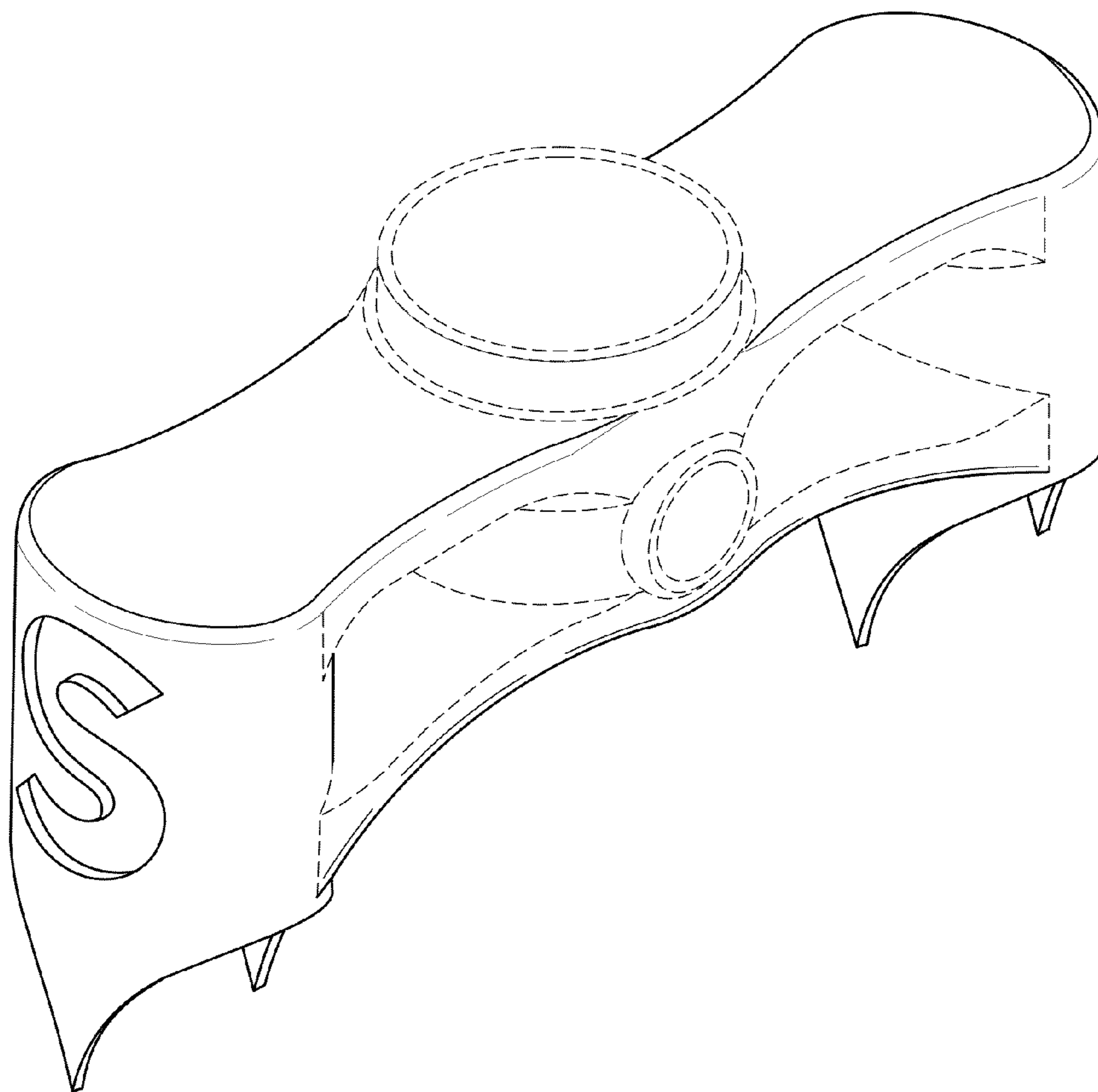


FIG. 1

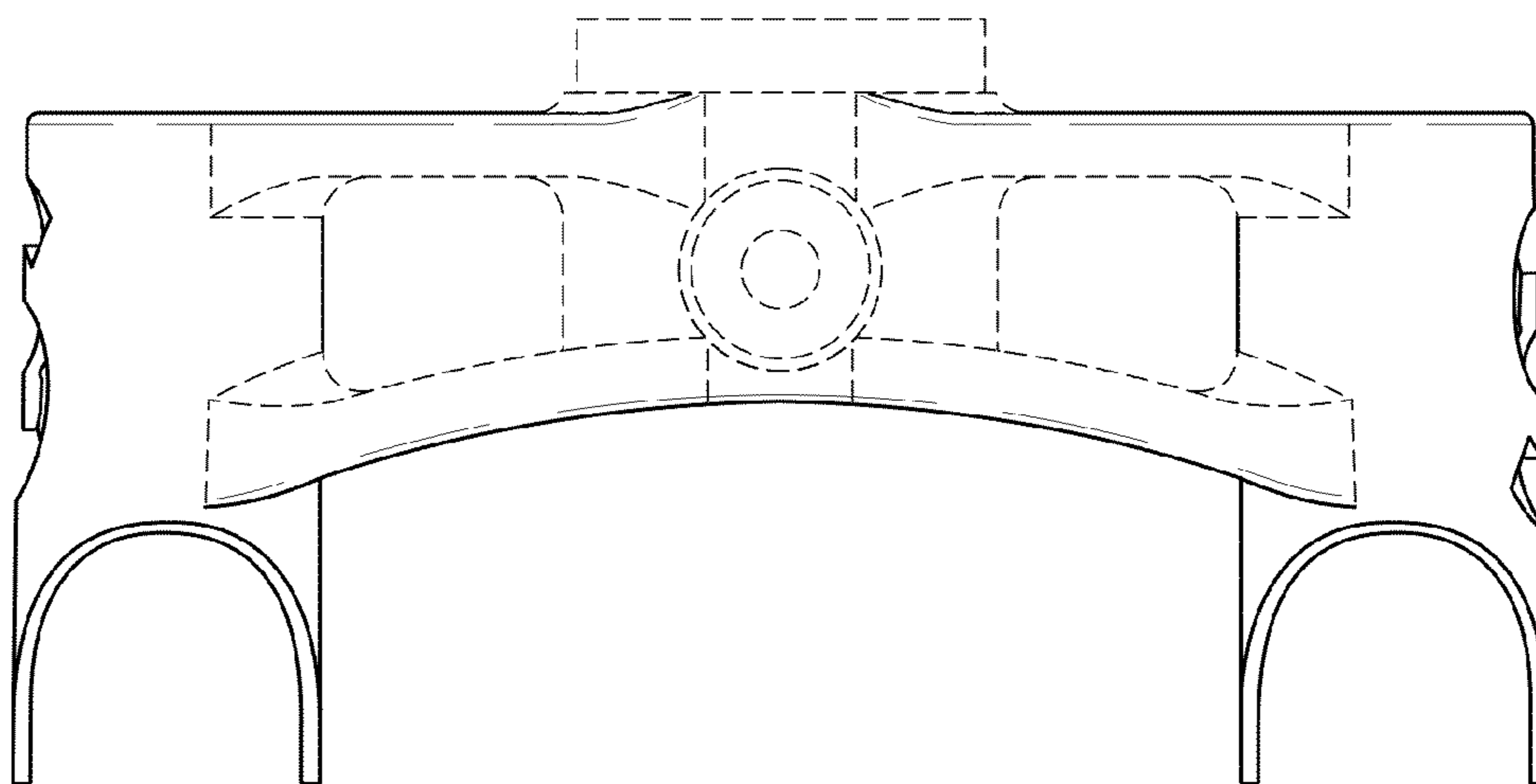


FIG. 2

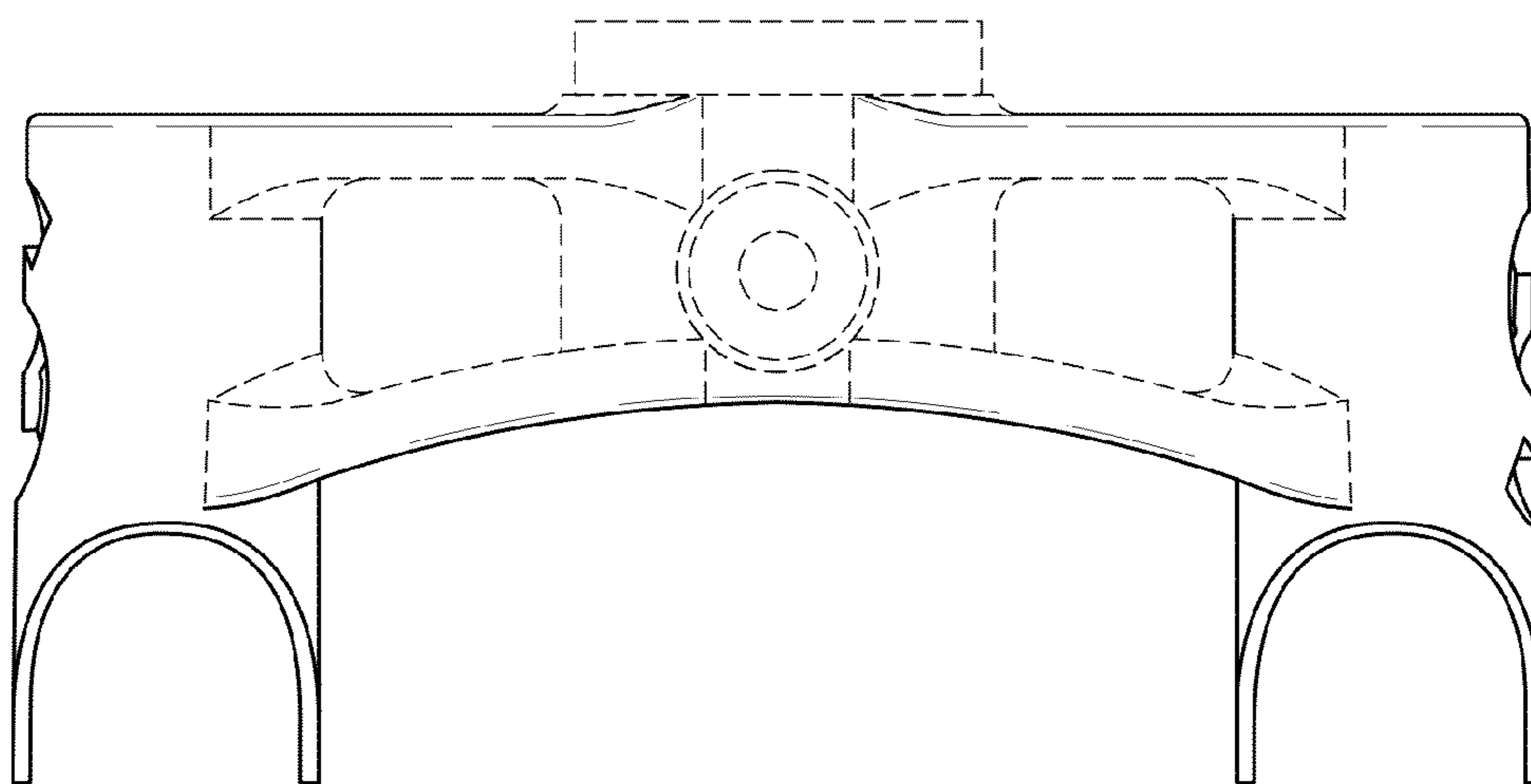


FIG. 3

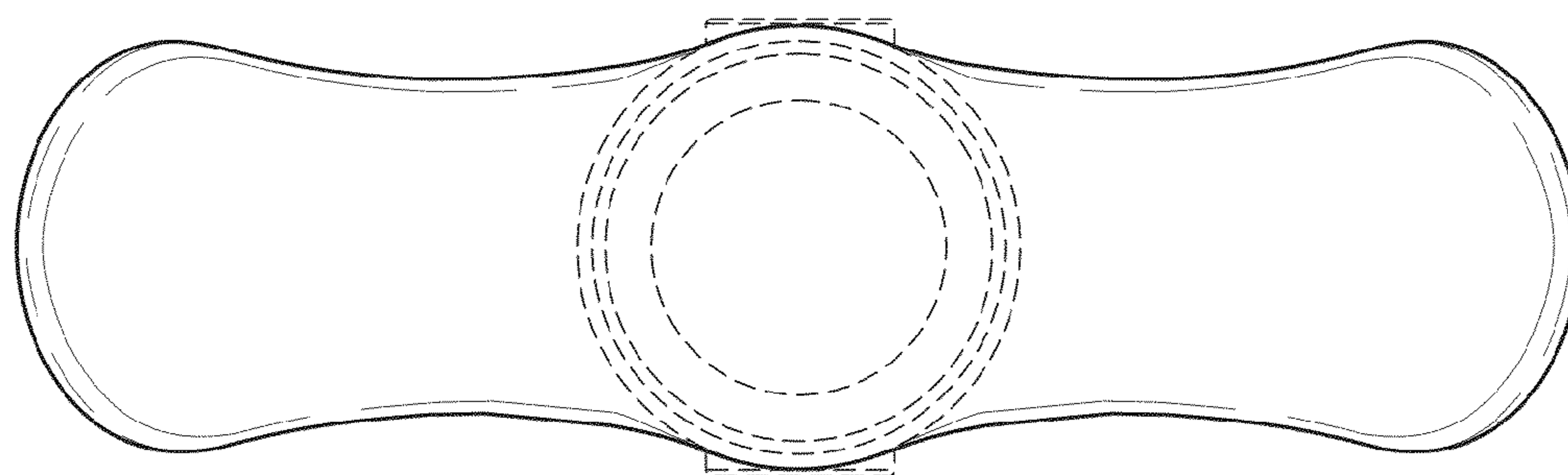


FIG. 4

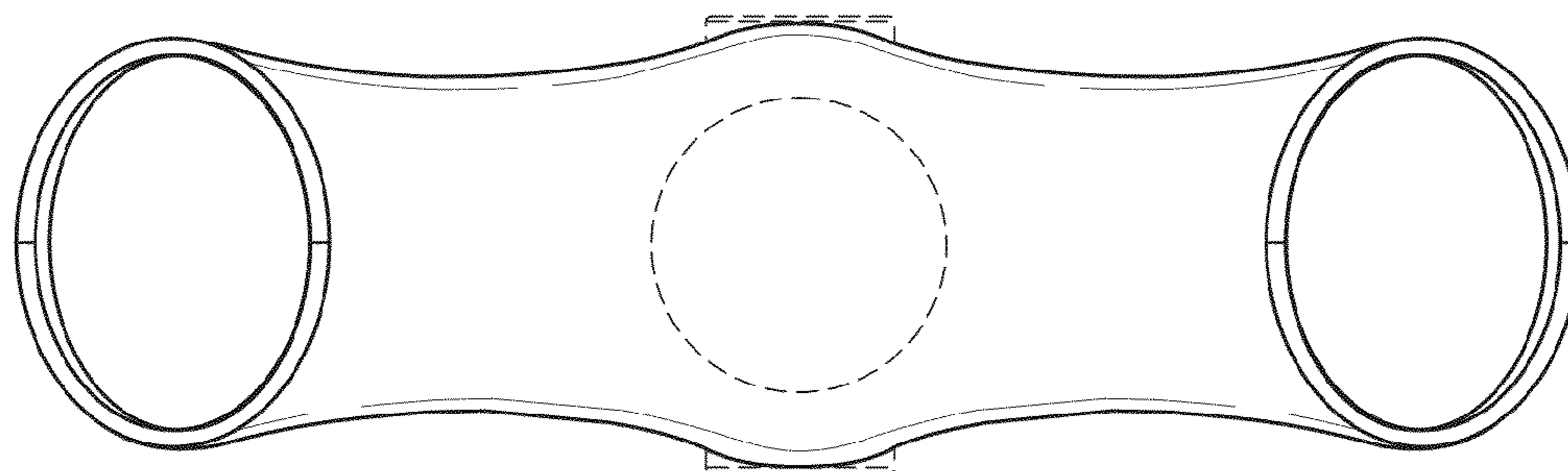


FIG. 5

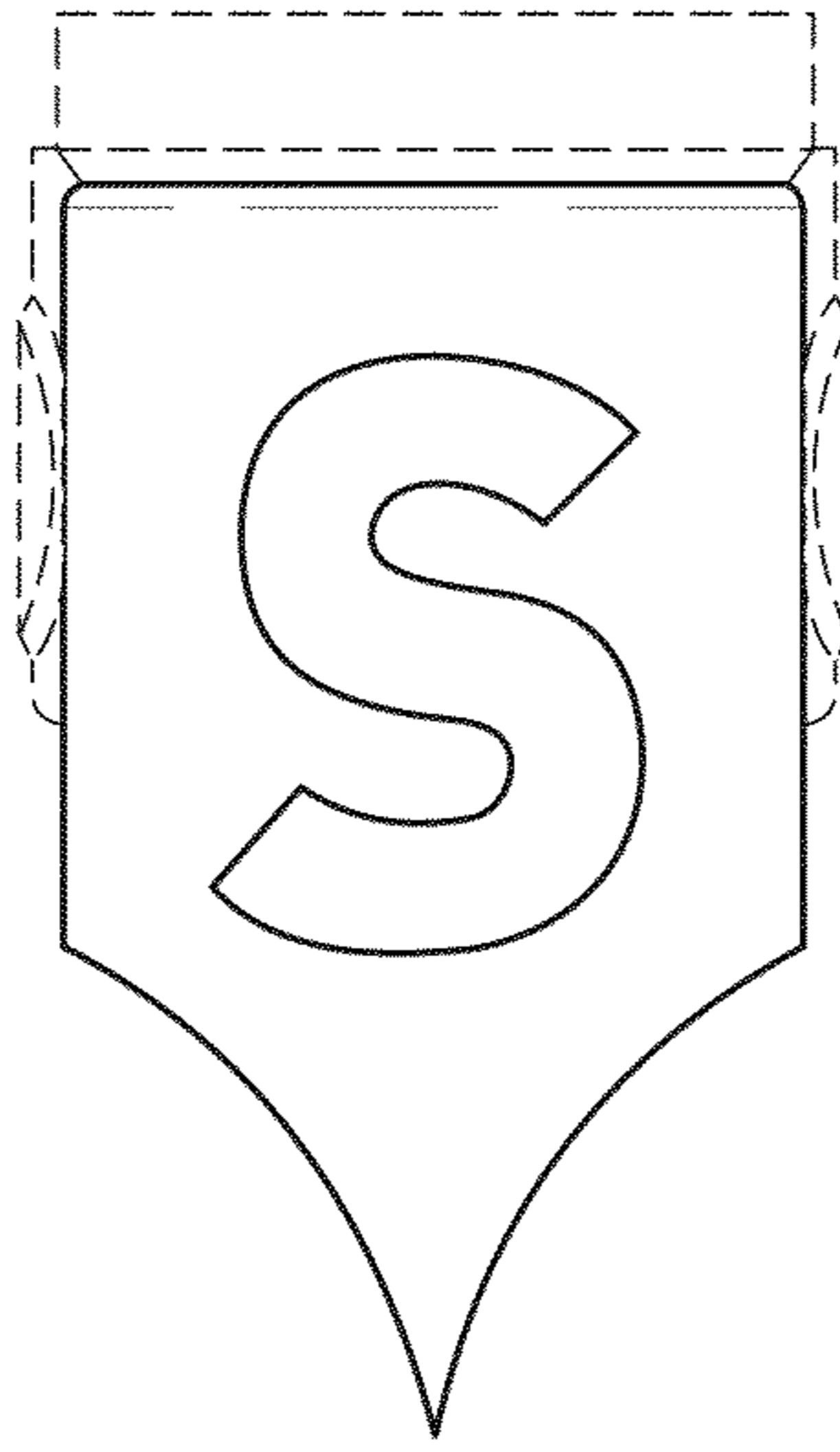


FIG. 6

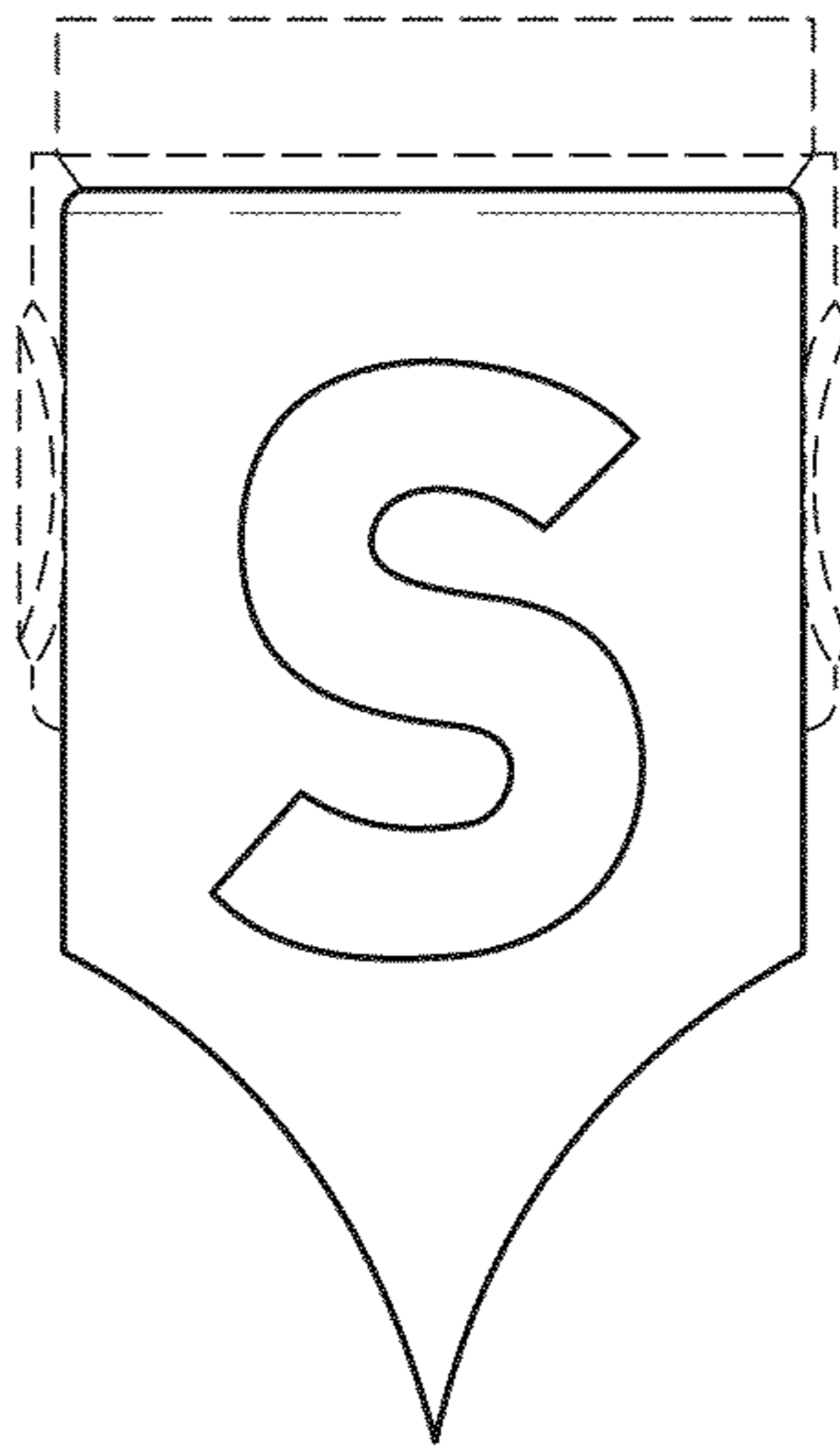


FIG. 7