



US00D737727S

(12) **United States Design Patent**
Brewer et al.

(10) **Patent No.:** **US D737,727 S**
(45) **Date of Patent:** **** Sep. 1, 2015**

(54) **BICYCLE**

(71) Applicant: **ARUANÃ ENERGIA S/A**, Goiânia, GO (BR)

(72) Inventors: **Brian Brewer**, Goiânia (BR); **Robert James McKinnon**, Goiânia (BR)

(**) Term: **14 Years**

(21) Appl. No.: **29/471,804**

(22) Filed: **Nov. 5, 2013**

(30) **Foreign Application Priority Data**

Jun. 20, 2013 (BR) 30 2013 002914 0

(51) **LOC (10) Cl.** **12-11**

(52) **U.S. Cl.**
USPC **D12/111**

(58) **Field of Classification Search**
USPC D12/111; 280/261, 252, 220, 221, 256, 280/232, 259, 254, 257, 253, 62, 63, 87.05, 280/270, 265, 288.1; 482/51, 57, 52; 74/143, 25, 37; 180/24.11, 206.1, 180/206.5, 210; D21/423
See application file for complete search history.

(56) **References Cited**

U.S. PATENT DOCUMENTS

1,977,035	A *	10/1934	Benjamin	280/221
2,076,804	A *	4/1937	Winding	280/221
2,148,919	A *	2/1939	Winding	280/221
5,110,148	A *	5/1992	Stienbarger et al.	280/221
6,334,838	B1 *	1/2002	Lee	482/51
6,439,590	B1 *	8/2002	Liang	280/221
6,659,486	B2 *	12/2003	Eschenbach	280/221
6,764,088	B2 *	7/2004	Hung	280/221
D526,250	S *	8/2006	Trumble et al.	D12/111
D638,482	S *	5/2011	Scolari et al.	D21/423
D638,483	S *	5/2011	Scolari et al.	D21/423
D638,484	S *	5/2011	Scolari et al.	D21/423

D638,498	S *	5/2011	Scolari et al.	D21/423
D638,499	S *	5/2011	Scolari et al.	D21/423
D638,500	S *	5/2011	Scolari et al.	D21/423
D645,792	S *	9/2011	Bai	D12/111
8,128,111	B2 *	3/2012	Scolari et al.	280/221
8,220,814	B1 *	7/2012	Riviglia et al.	280/252
D688,164	S *	8/2013	Calderon	D12/111
8,579,769	B2 *	11/2013	Sans	482/52
2009/0315294	A1 *	12/2009	Conti	280/221
2010/0244399	A1 *	9/2010	Teal et al.	280/221
2010/0320718	A1 *	12/2010	Buchberger	280/221
2011/0285105	A1 *	11/2011	Chen	280/220
2014/0243157	A1 *	8/2014	Huang et al.	482/52
2014/0265218	A1 *	9/2014	Scolari	280/261

* cited by examiner

Primary Examiner — Robert M Spear

Assistant Examiner — Ryan Harvey

(74) *Attorney, Agent, or Firm* — Pillsbury Winthrop Shaw Pittman LLP

(57) **CLAIM**

The ornamental design for a bicycle, as shown and described.

DESCRIPTION

FIG. 1 is a perspective view of an embodiment of the design for a bicycle;

FIG. 2 is a lateral/side elevation view of the embodiment of the design of FIG. 1;

FIG. 3 is lateral/side elevation view of the embodiment of the design of FIG. 1 on the opposite side of the side depicted in FIG. 2;

FIG. 4 is a rear elevation view of the embodiment of the design of FIG. 1;

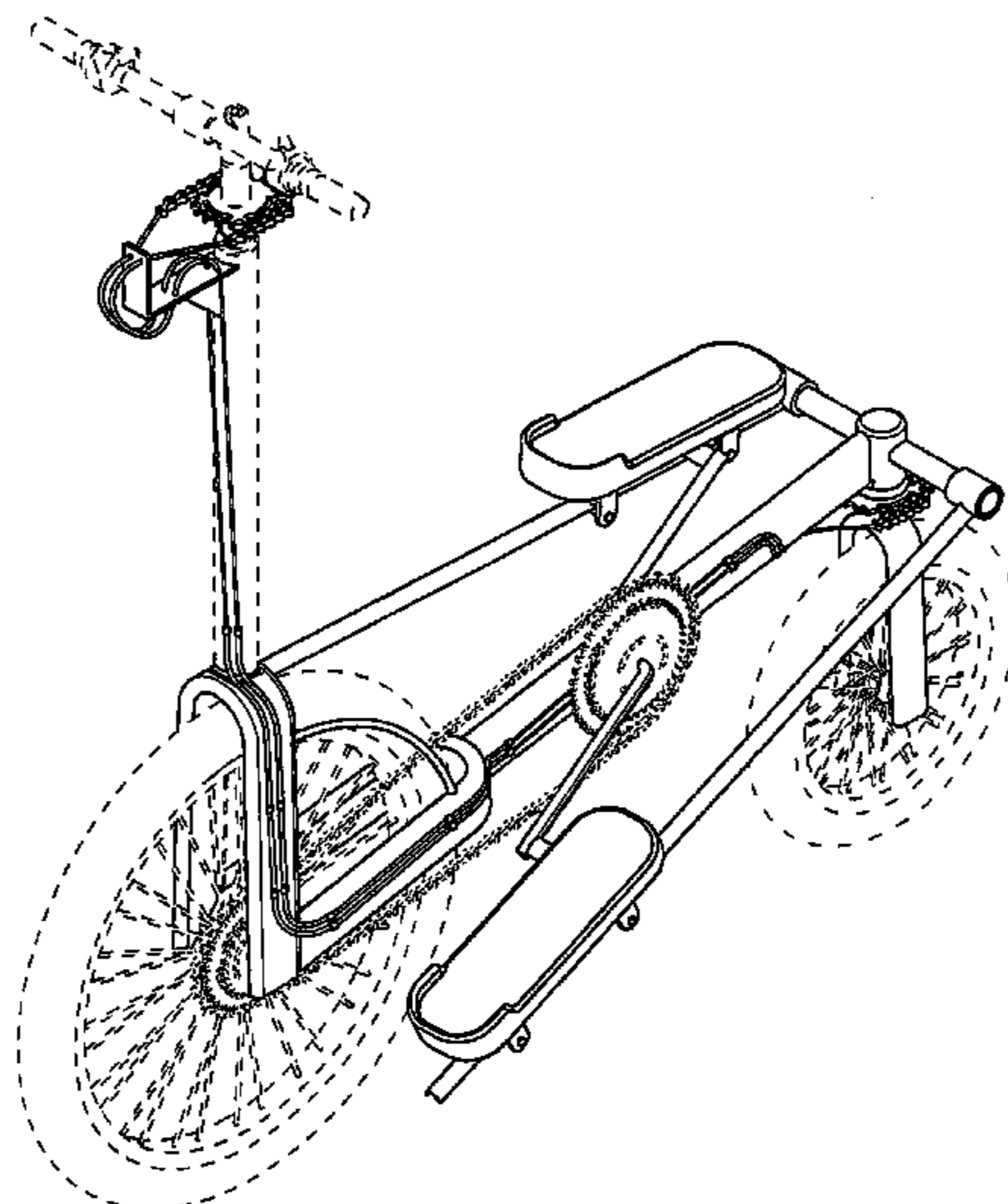
FIG. 5 is a front elevation view of the embodiment of the design of FIG. 1;

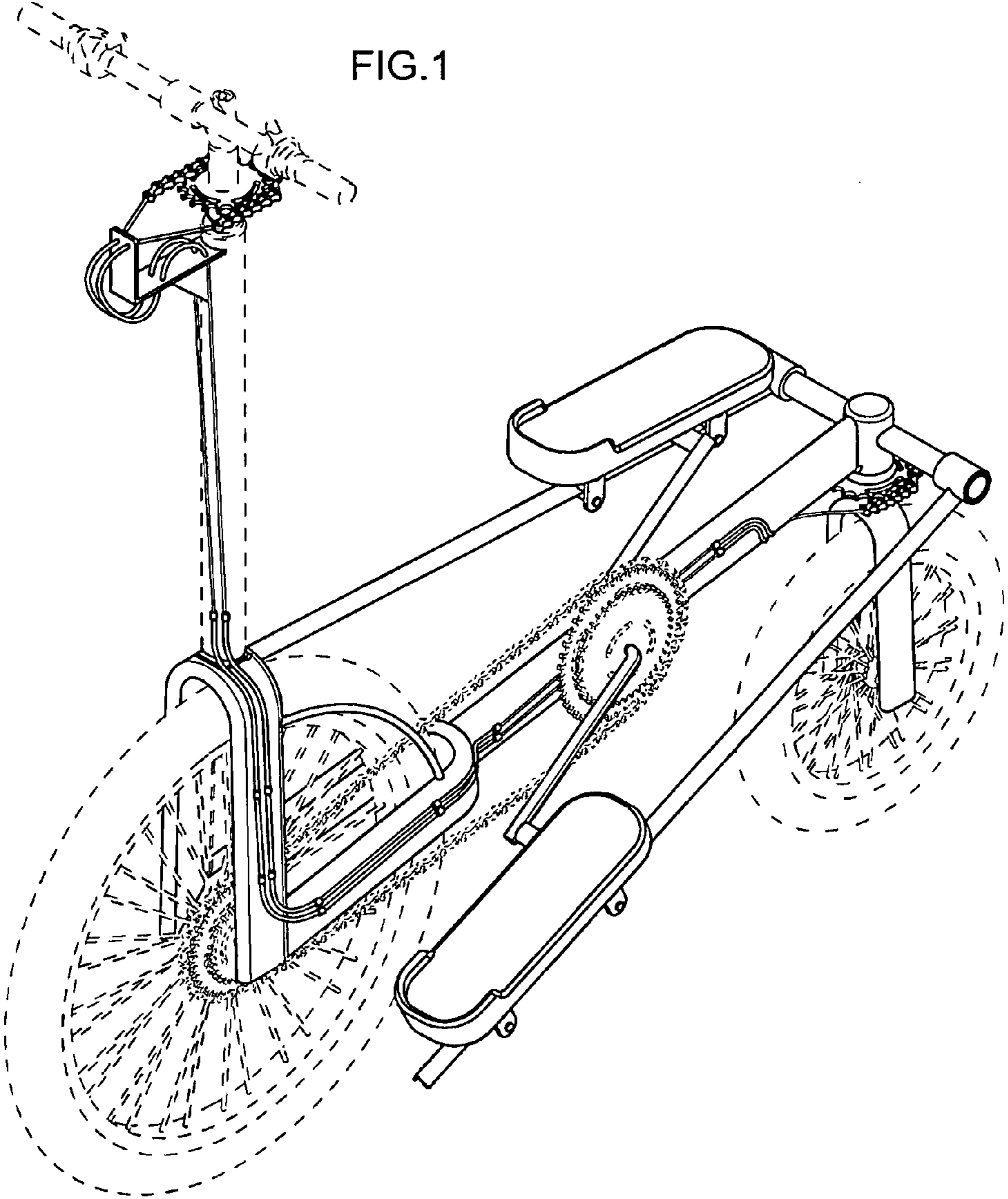
FIG. 6 is a bottom plan view of the embodiment of the design of FIG. 1; and,

FIG. 7 is a top plan view of the embodiment of the design of FIG. 1.

Any components or portions in the accompanying drawings shown in broken lines form no part of the claimed design or a specified embodiment thereof.

1 Claim, 7 Drawing Sheets





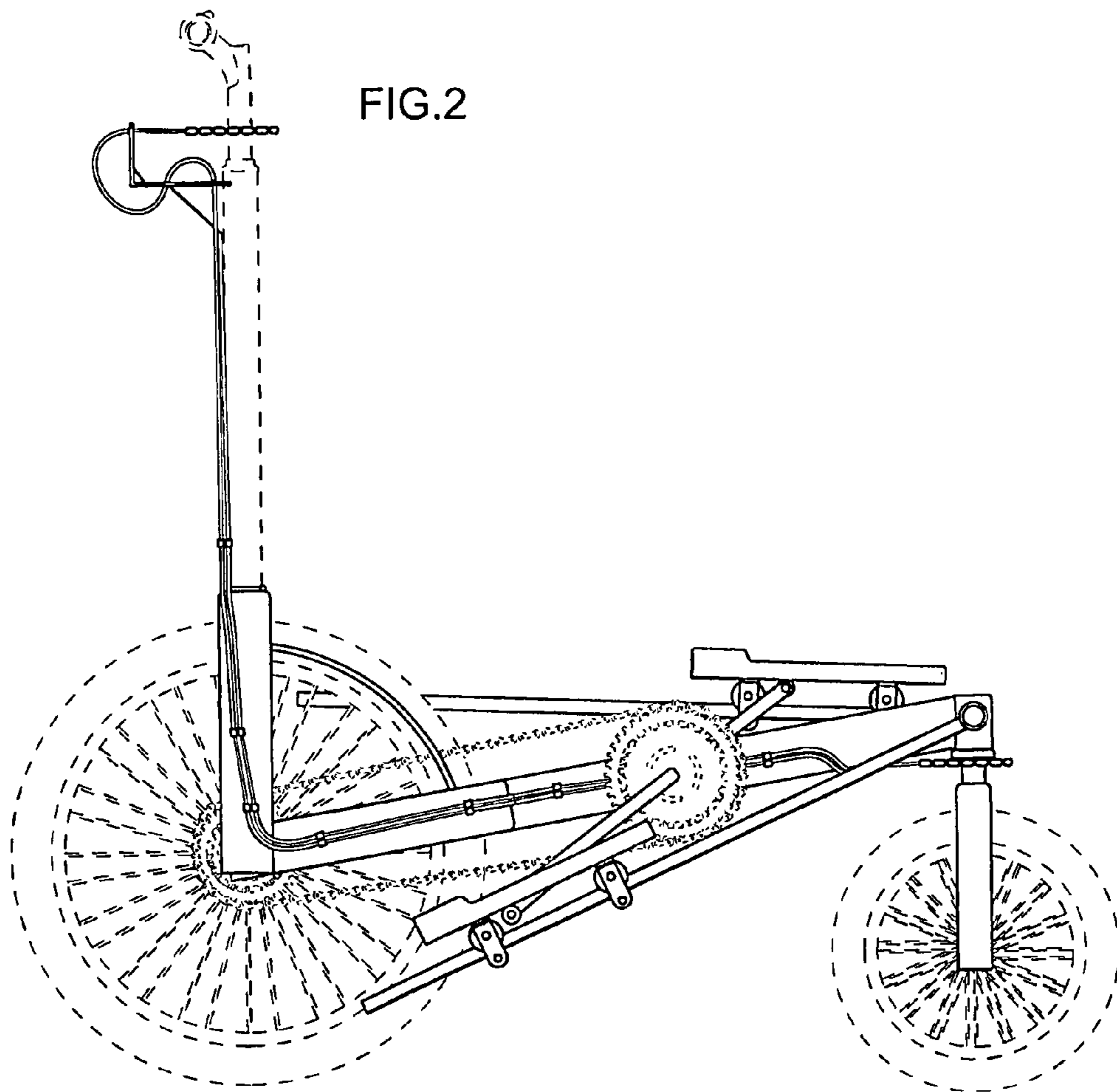


FIG.3

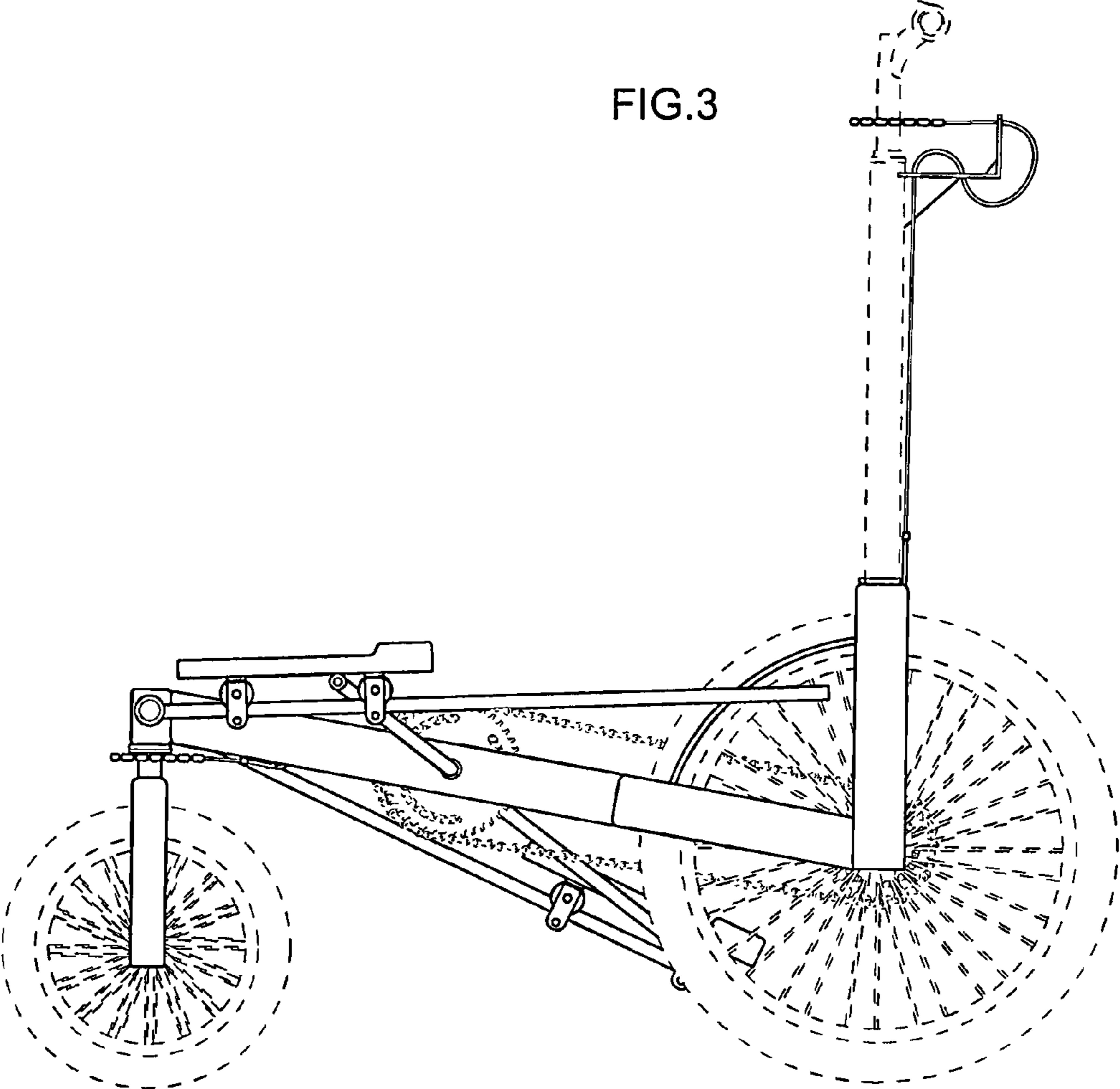


FIG.4

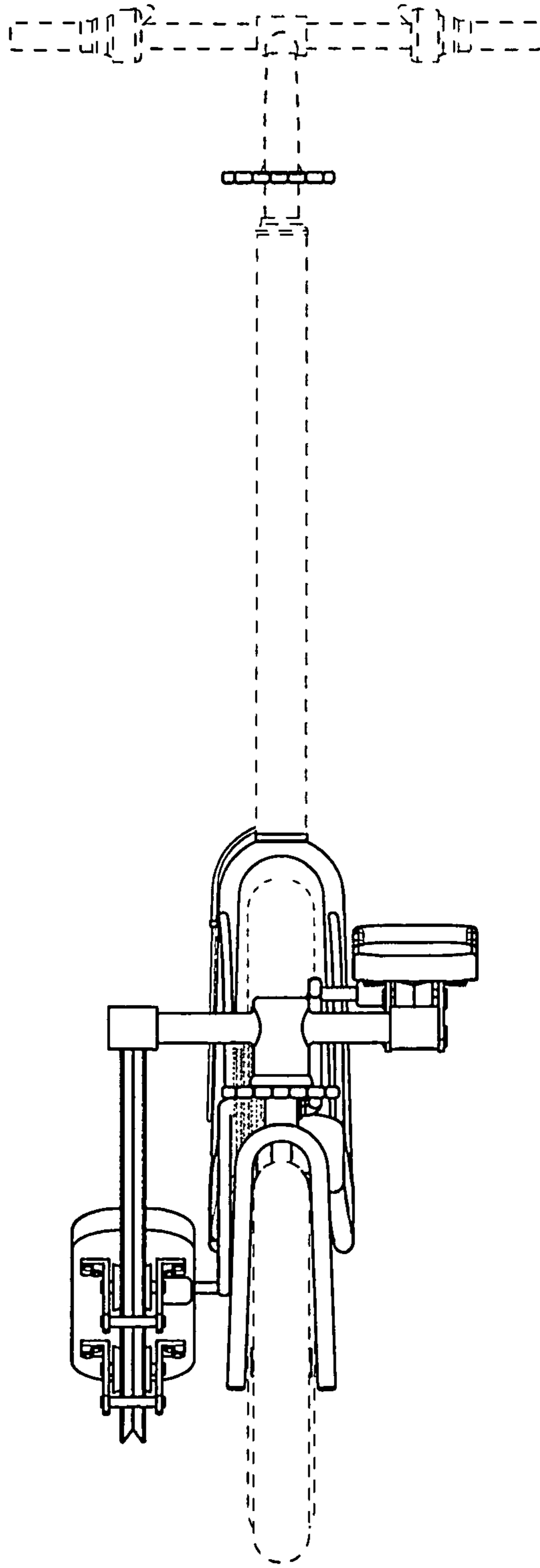


FIG.5

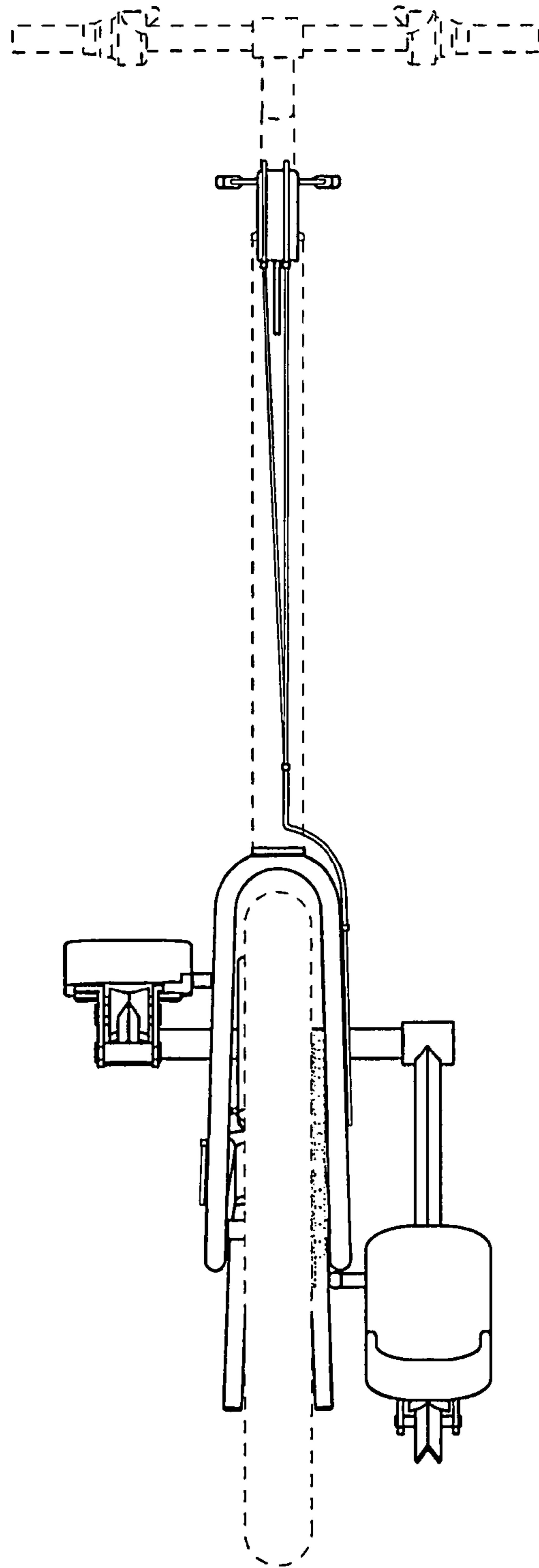


FIG.6

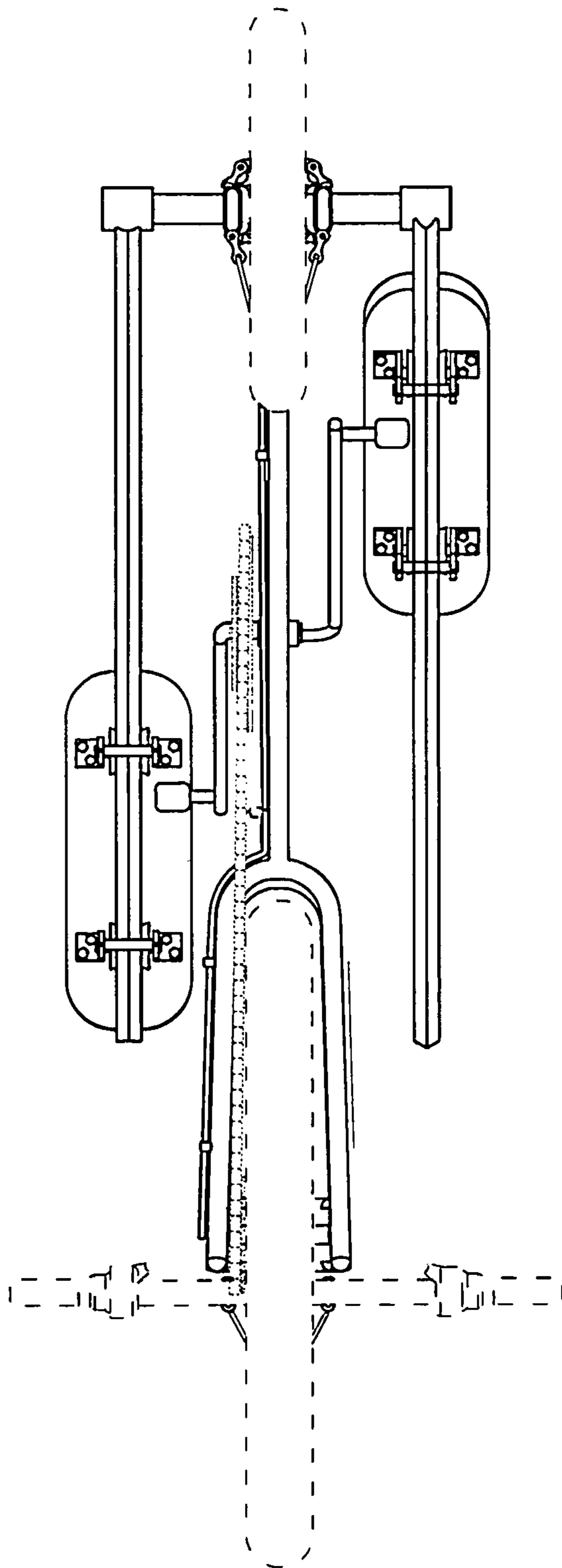


FIG.7

