



US00D737726S

(12) **United States Design Patent**
Austin

(10) **Patent No.:** **US D737,726 S**

(45) **Date of Patent:** **** Sep. 1, 2015**

(54) **COMPACT OFF ROAD EXPANDABLE
CAMPING TRAILER**

(71) Applicant: **Chad Jeremy Austin**, Flowery Branch,
GA (US)

(72) Inventor: **Chad Jeremy Austin**, Flowery Branch,
GA (US)

(**) Term: **14 Years**

(21) Appl. No.: **29/473,449**

(22) Filed: **Nov. 21, 2013**

(51) **LOC (10) Cl.** **12-10**

(52) **U.S. Cl.**
USPC **D12/104**

(58) **Field of Classification Search**
USPC D12/100–106, 19, 129, 111–112;
D34/21–26, 12, 16–19; 280/204, 205,
280/63, 475, 482, 647; 296/168, 180,
296/180.2, 61, 10, 100.01–100.08;
D21/425, 435

See application file for complete search history.

(56) **References Cited**

U.S. PATENT DOCUMENTS

D251,244 S *	3/1979	Olmstead et al.	D12/104
D271,388 S *	11/1983	Bourke	D12/104
D357,649 S *	4/1995	Neyer	D12/103
D406,800 S *	3/1999	Nece	D12/104
D603,299 S *	11/2009	Prusmack	D12/102
D625,667 S *	10/2010	Oviedo	D12/102
D653,588 S *	2/2012	Heard	D12/102
D659,595 S *	5/2012	Eliason	D12/102

* cited by examiner

Primary Examiner — Katrina A Betton

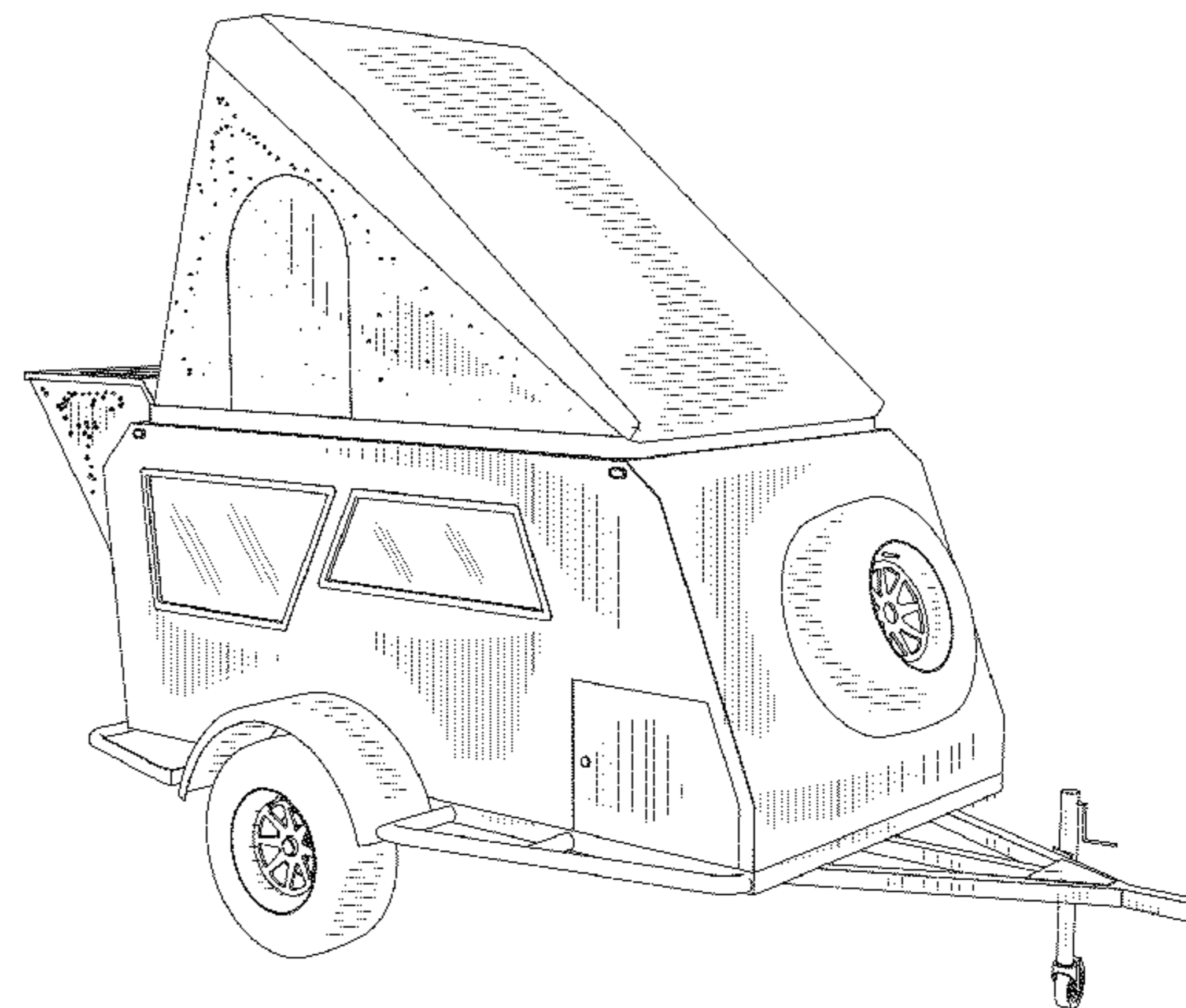
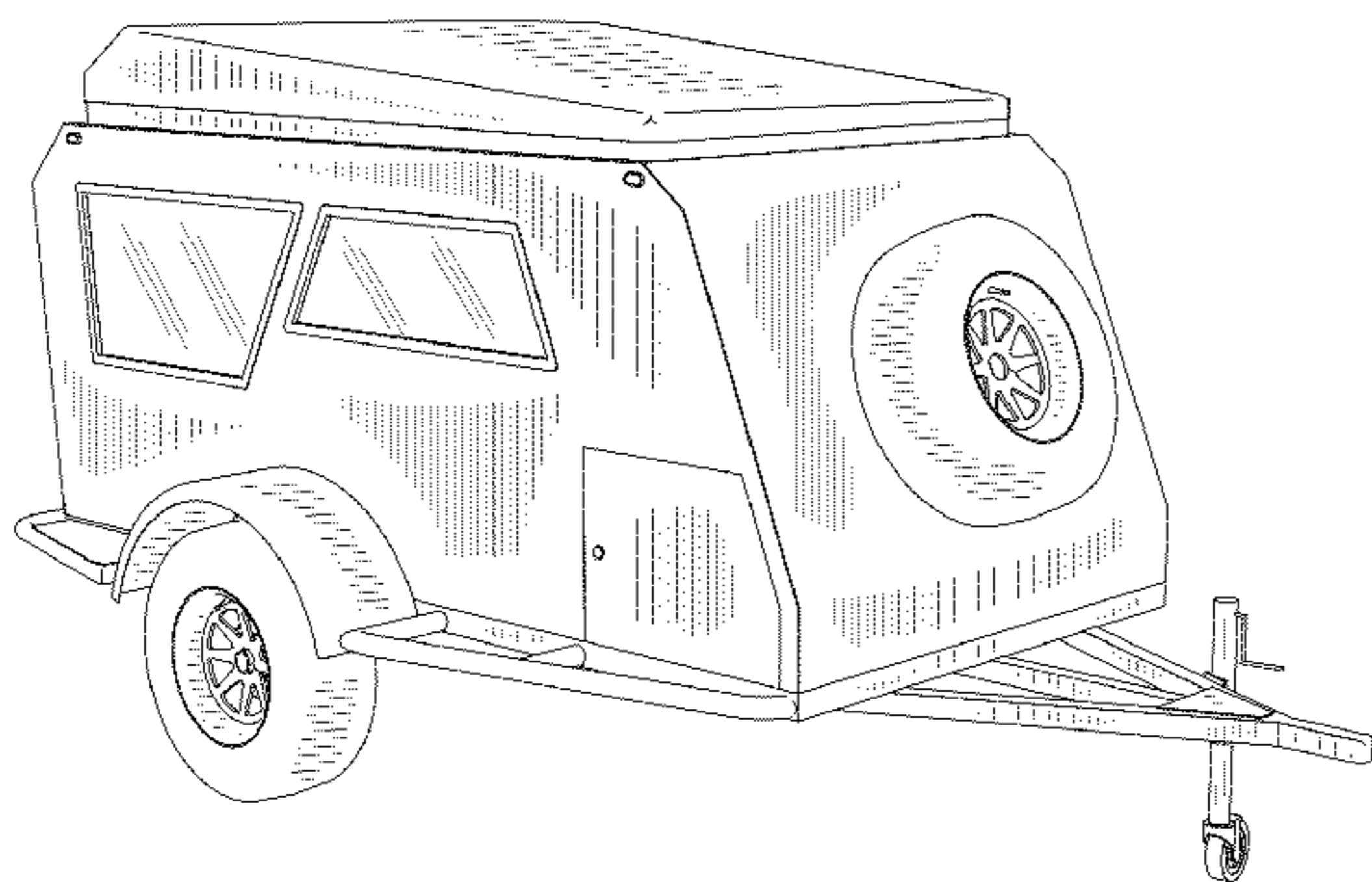
(57) **CLAIM**

The ornamental design for a compact off road expandable camping trailer, as shown and described.

DESCRIPTION

FIG. 1 is a perspective front view of a compact off road expandable camping trailer;
 FIG. 2 is a perspective rear view of the compact off road expandable camping trailer;
 FIG. 3 is a front elevation view of the compact off road expandable camping trailer;
 FIG. 4 is a rear elevation view of the compact off road expandable camping trailer;
 FIG. 5 is a left elevation view of the compact off road expandable camping trailer;
 FIG. 6 is a right elevation view of the compact off road expandable camping trailer;
 FIG. 7 is a top elevation view of the compact off road expandable camping trailer;
 FIG. 8 is a perspective front view of the compact off road expandable camping trailer expanded;
 FIG. 9 is a perspective rear view of the compact off road expandable camping trailer expanded;
 FIG. 10 is a front elevation view of the compact off road expandable camping trailer expanded;
 FIG. 11 is a rear elevation view of the compact off road expandable camping trailer expanded;
 FIG. 12 is a left elevation view of the compact off road expandable camping trailer expanded;
 FIG. 13 is a right elevation view of the compact off road expandable camping trailer expanded; and,
 FIG. 14 is a top elevation view of the compact off road expandable camping trailer expanded.

1 Claim, 8 Drawing Sheets



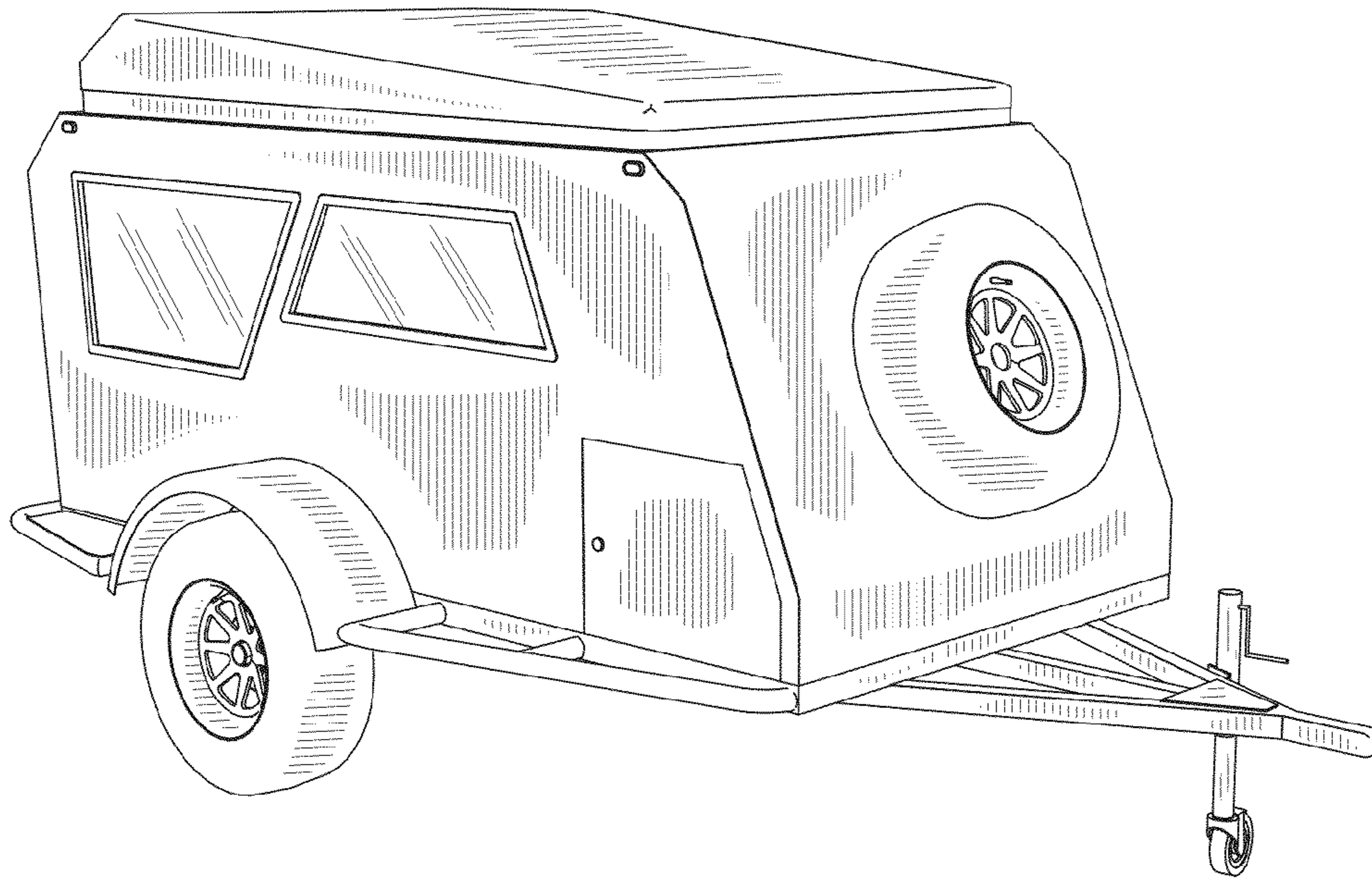


FIG. 1

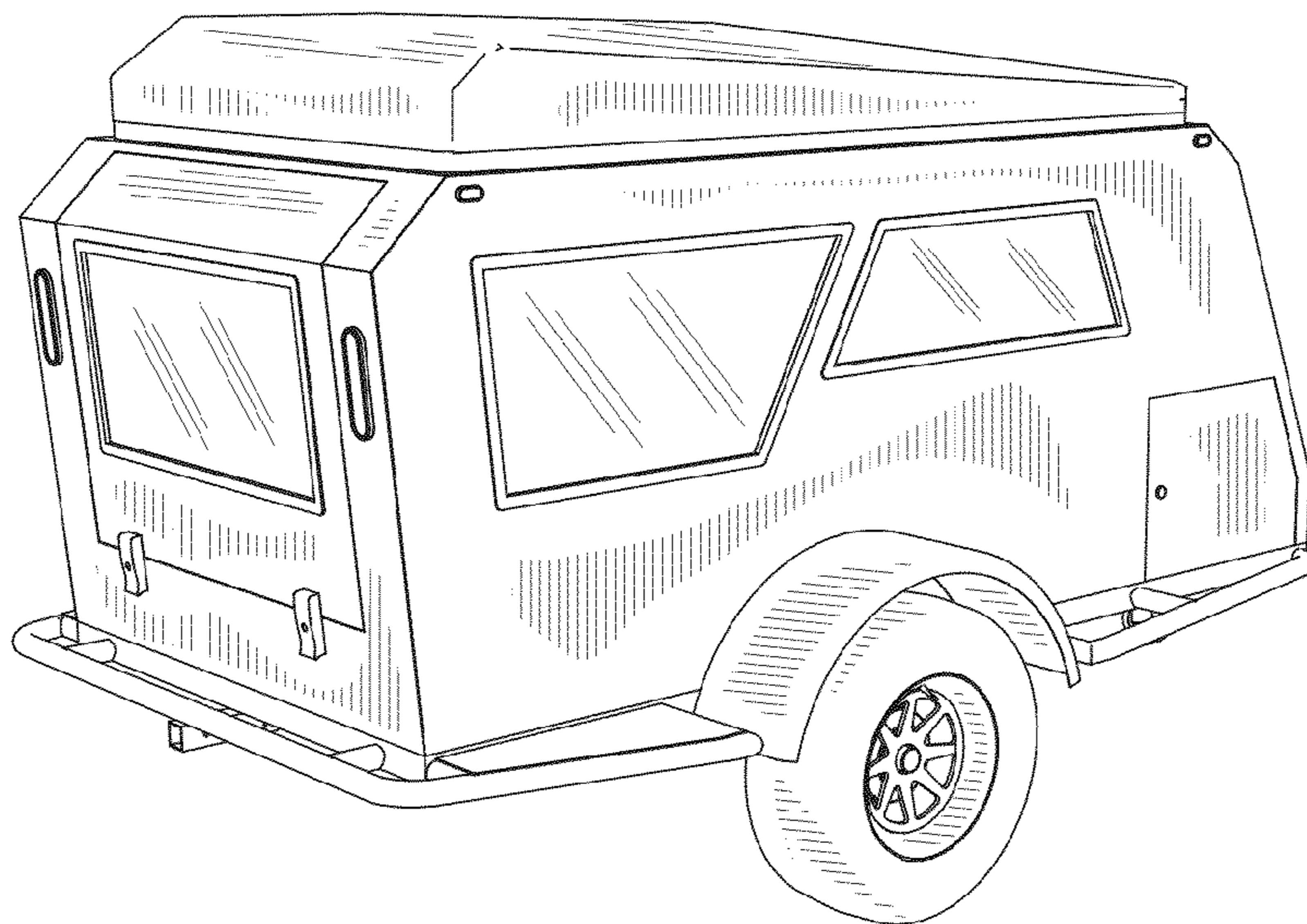


FIG. 2

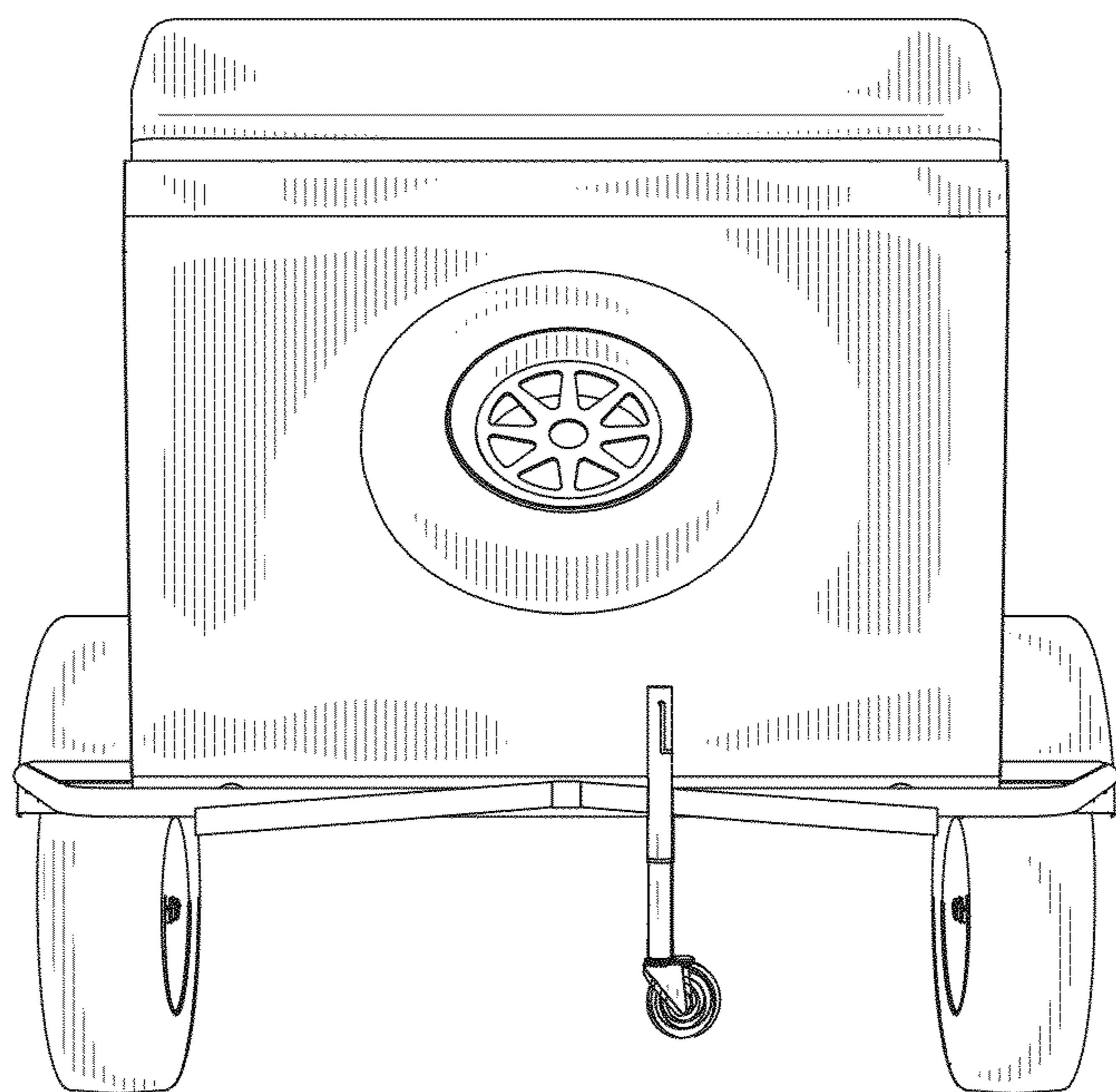


FIG. 3

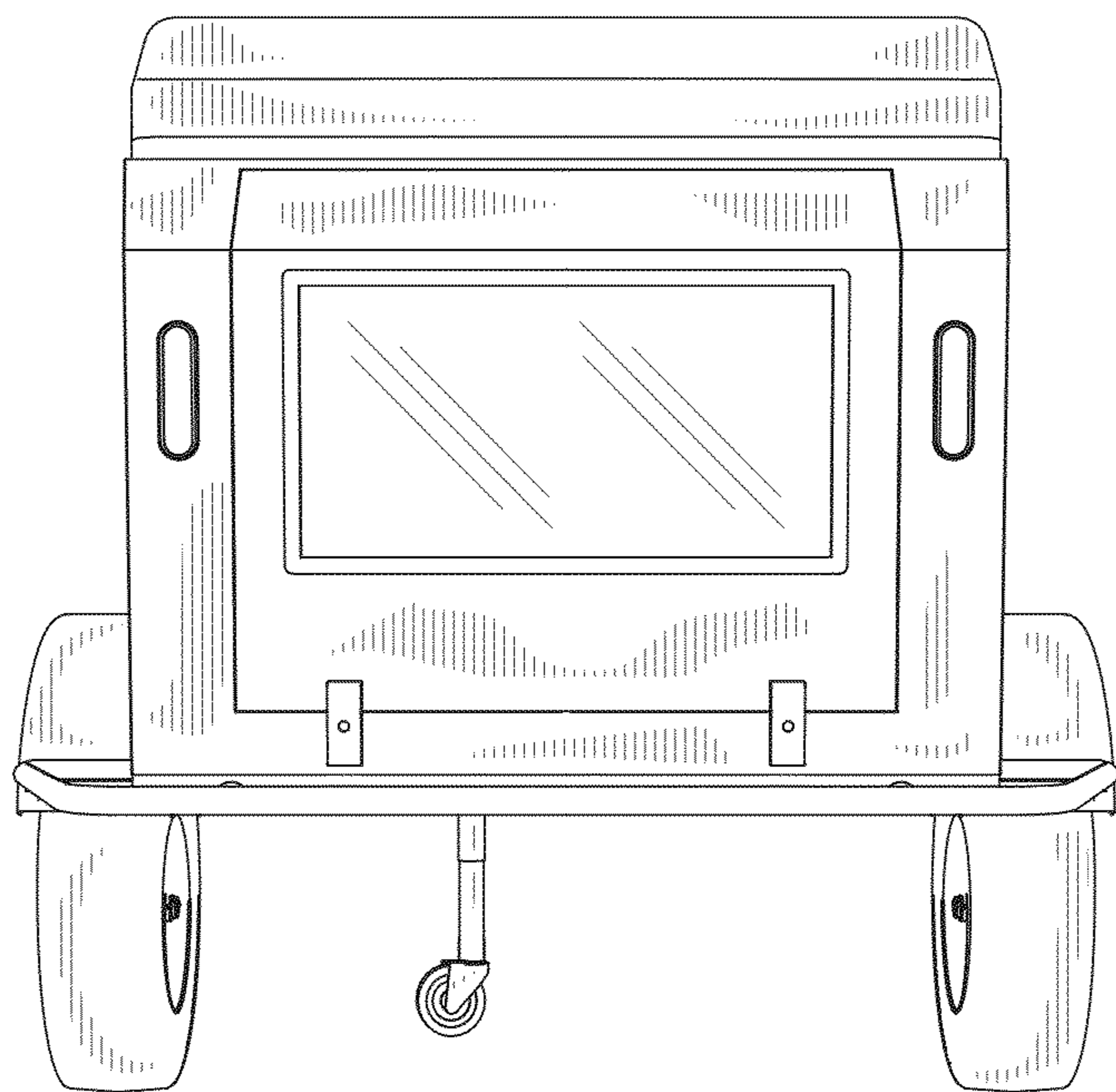


FIG. 4

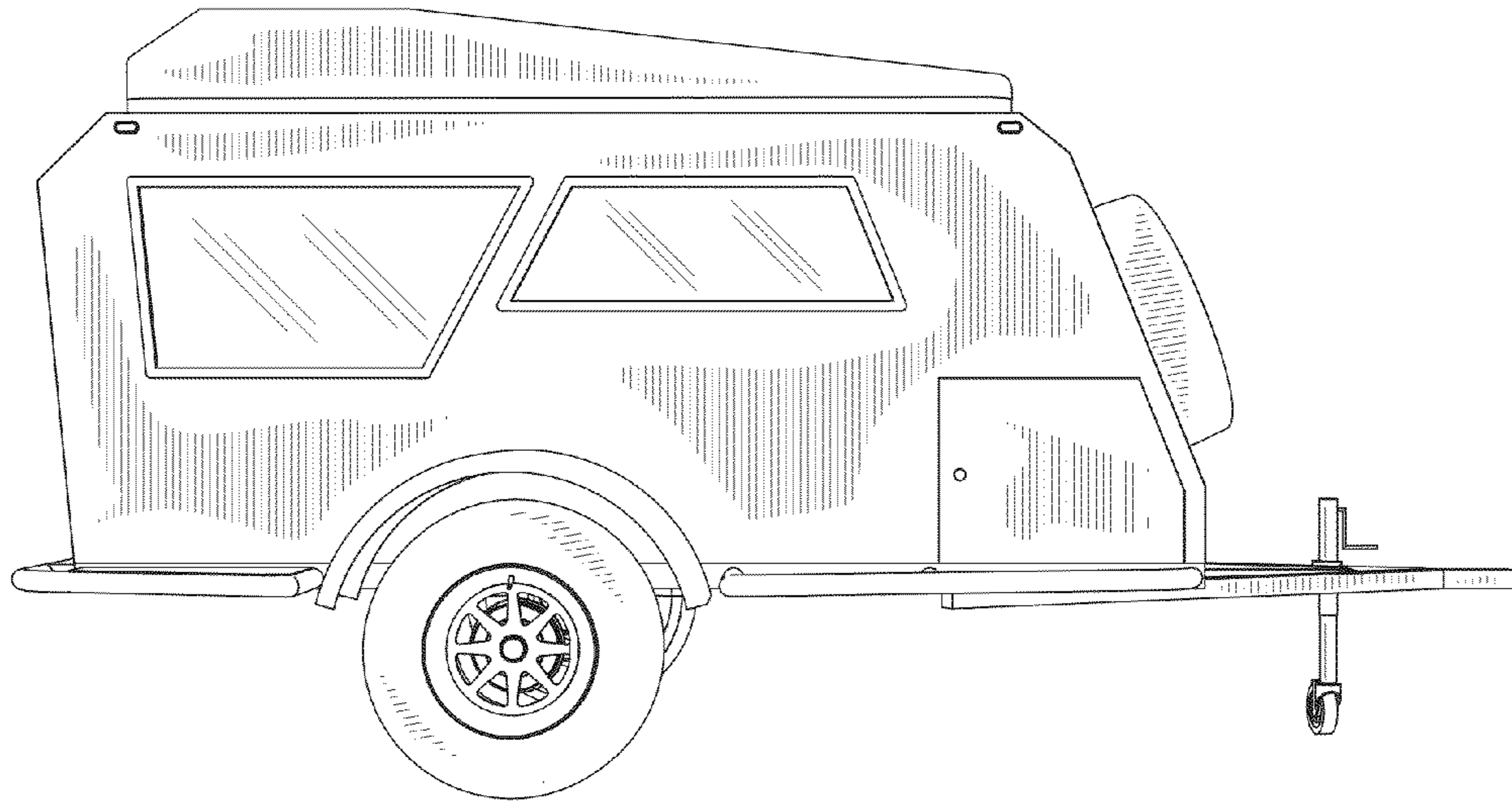


FIG. 5

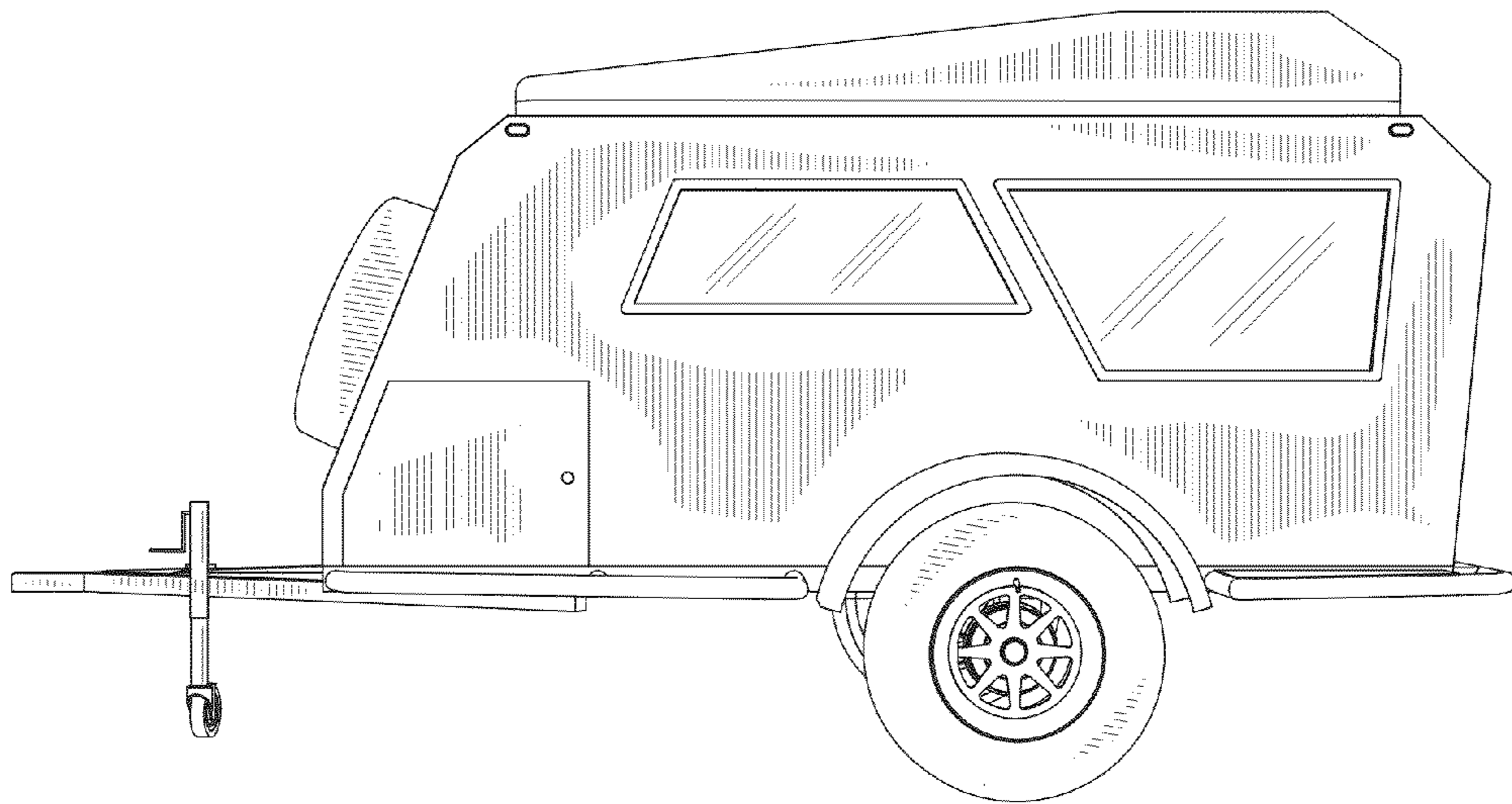


FIG. 6

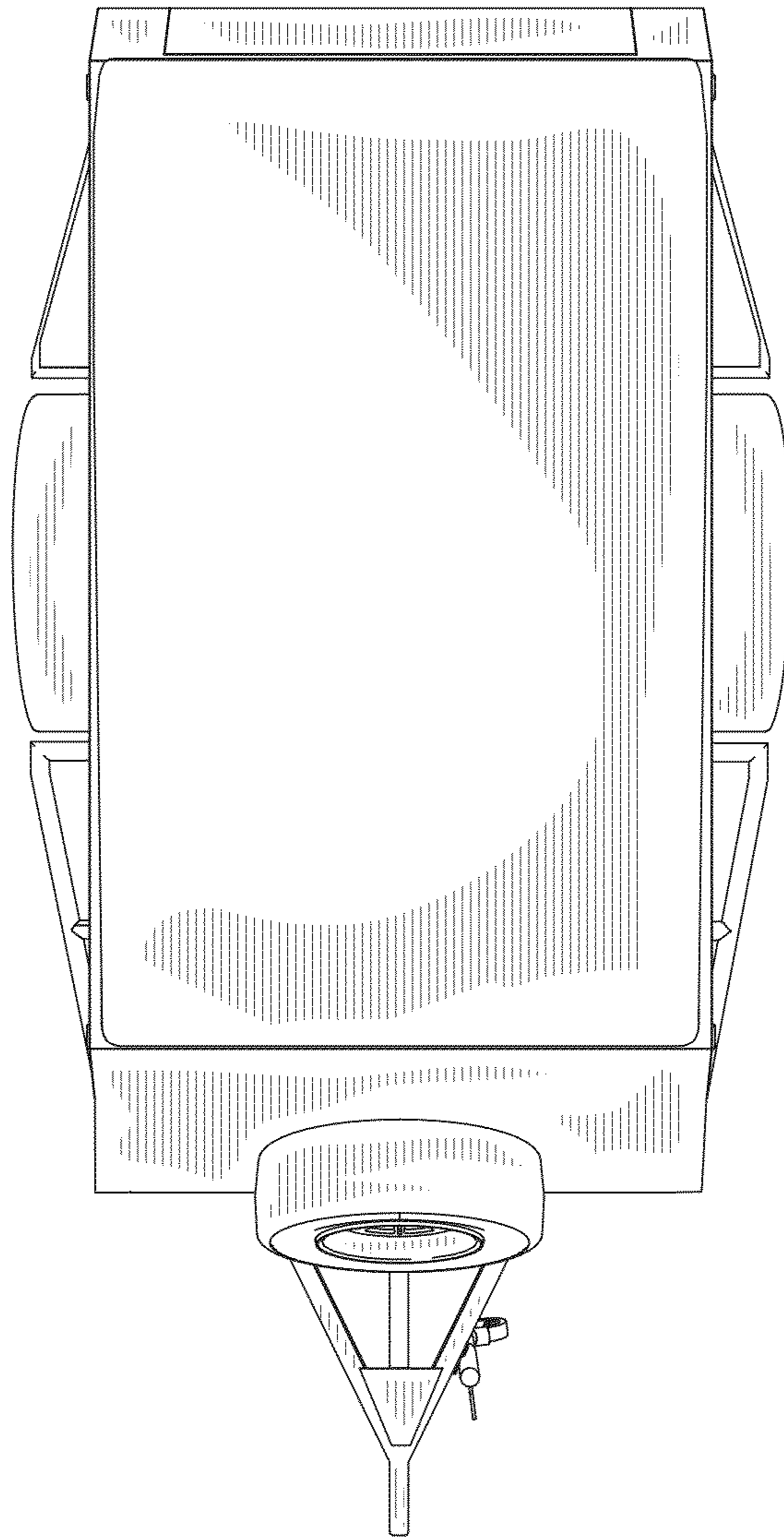


FIG. 7

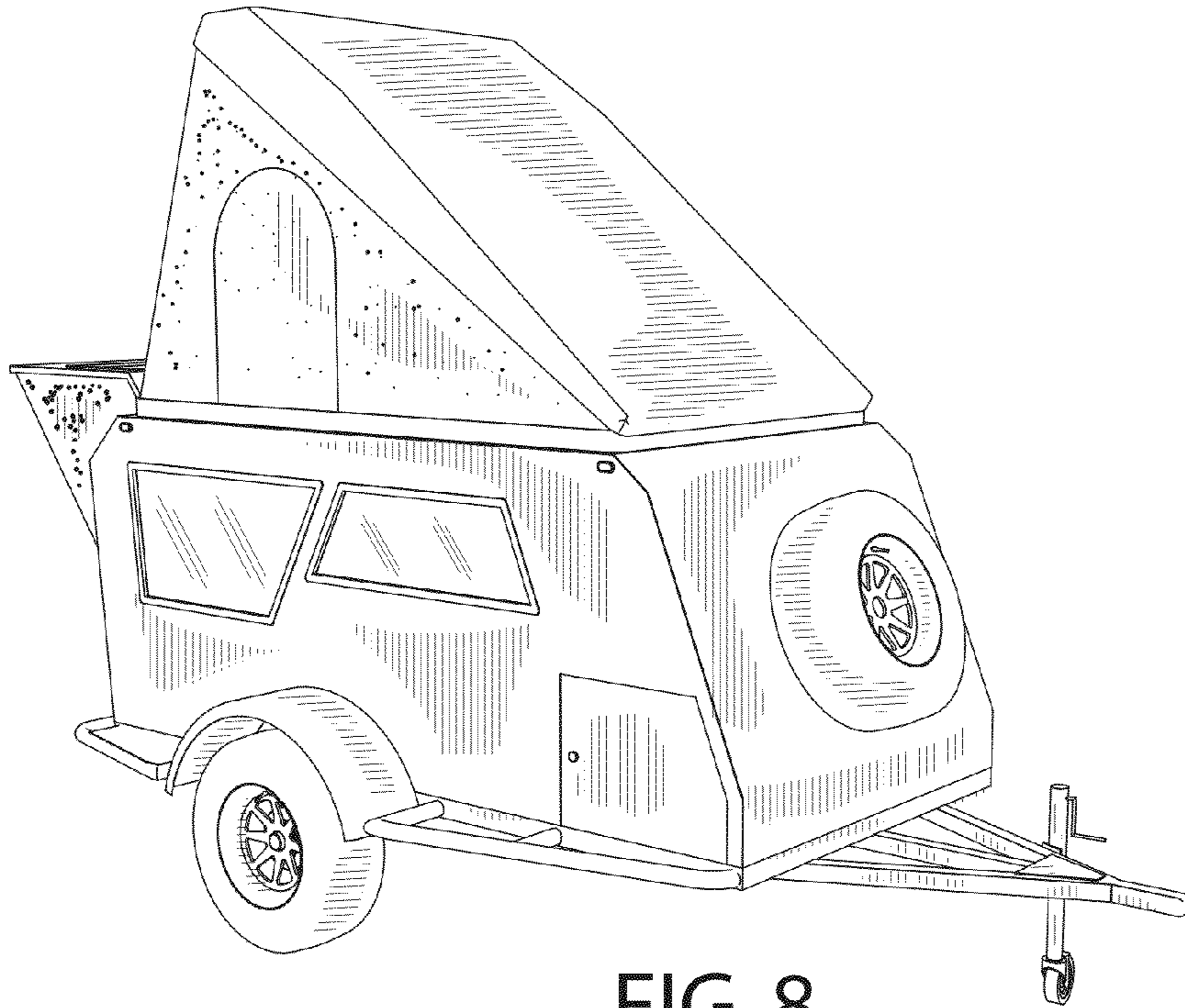


FIG. 8

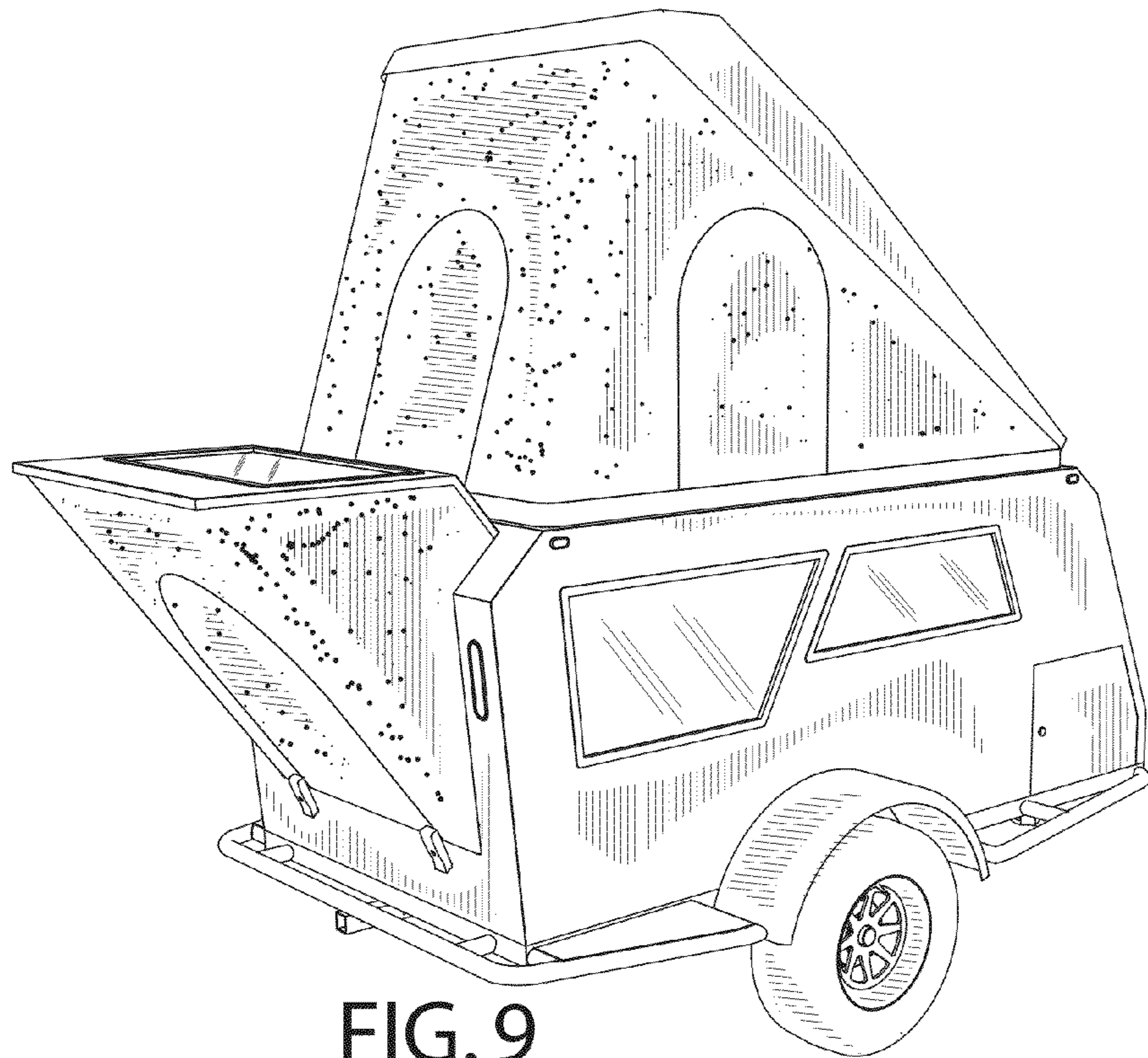


FIG. 9

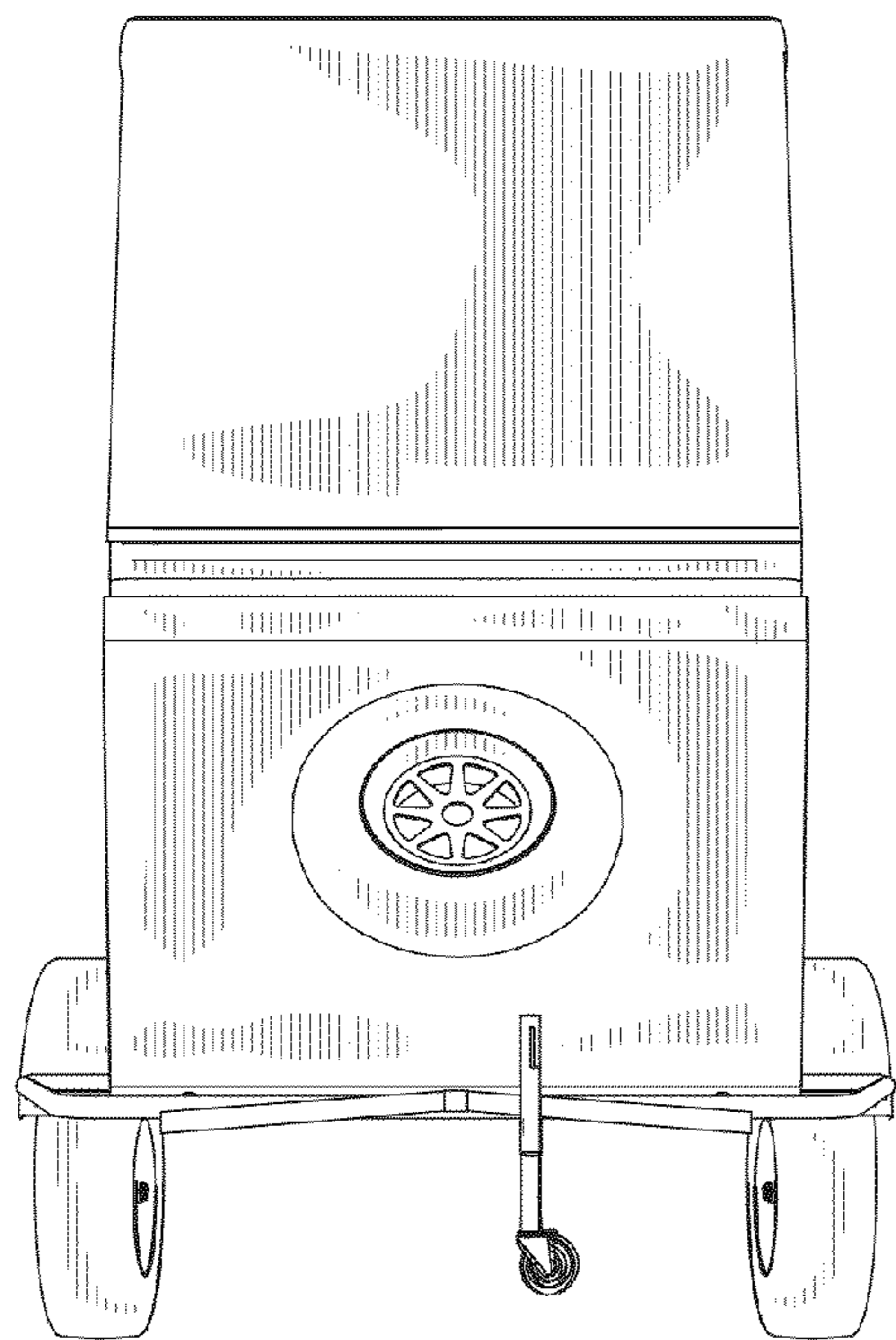


FIG. 10

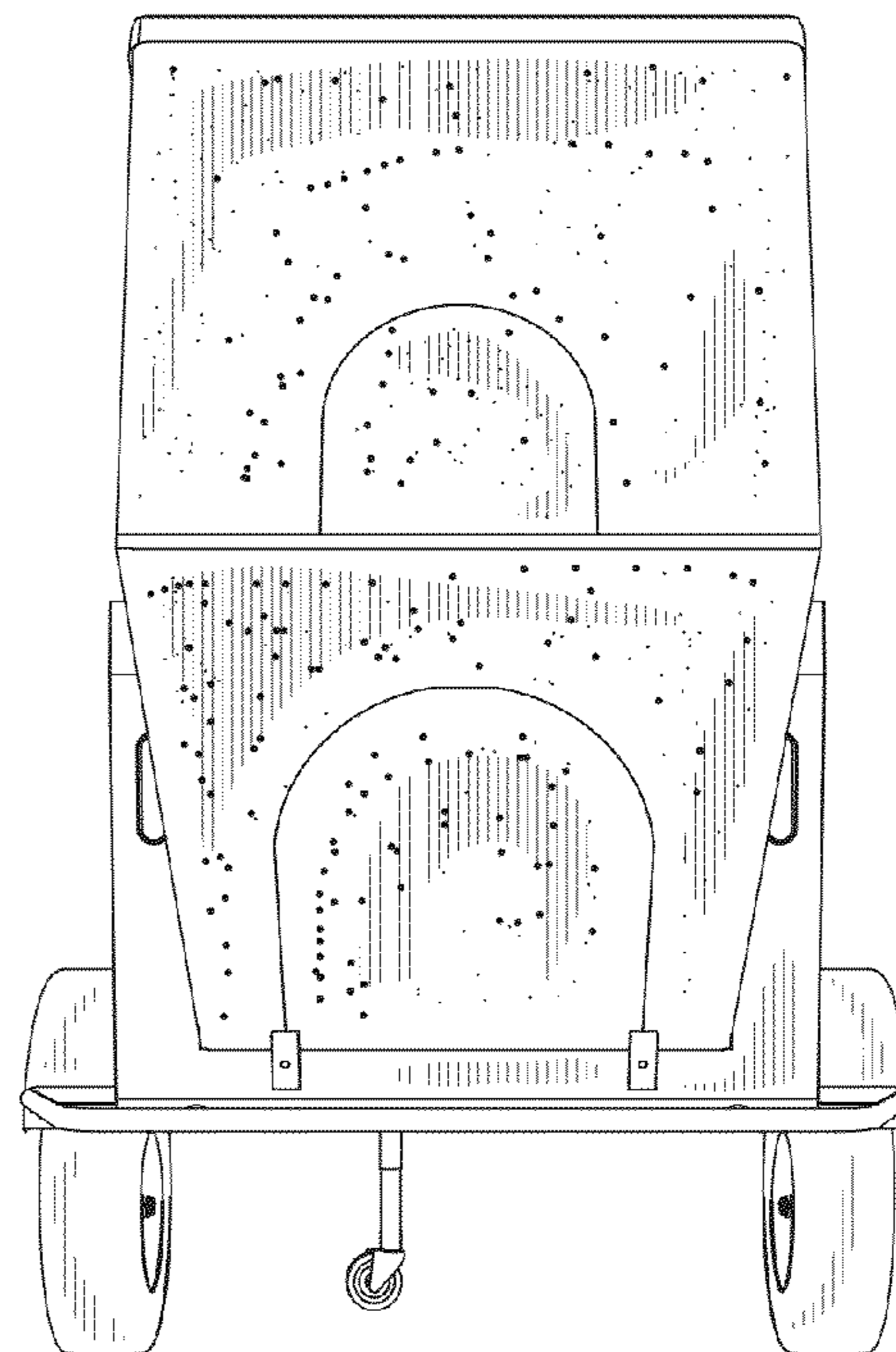


FIG. 11

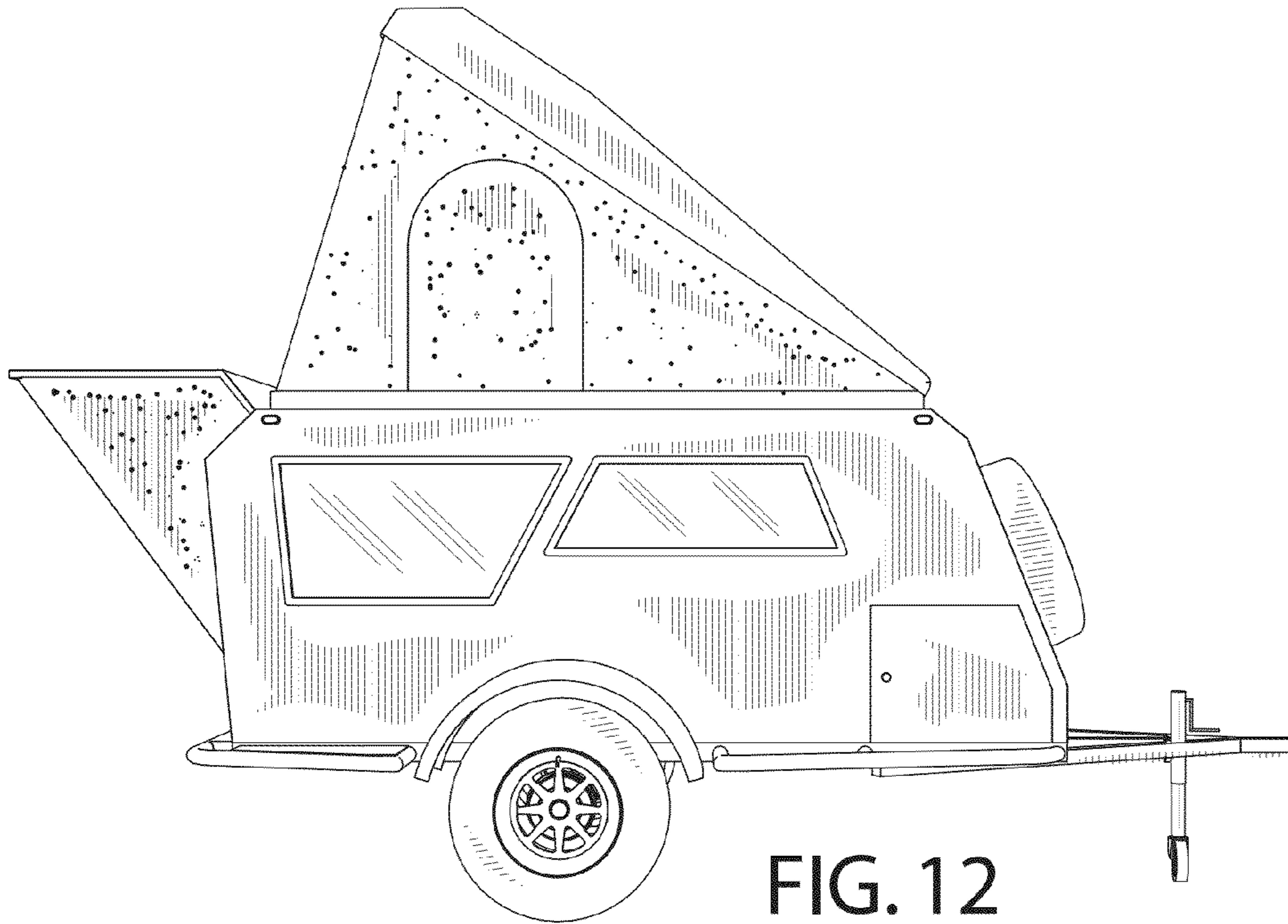


FIG. 12

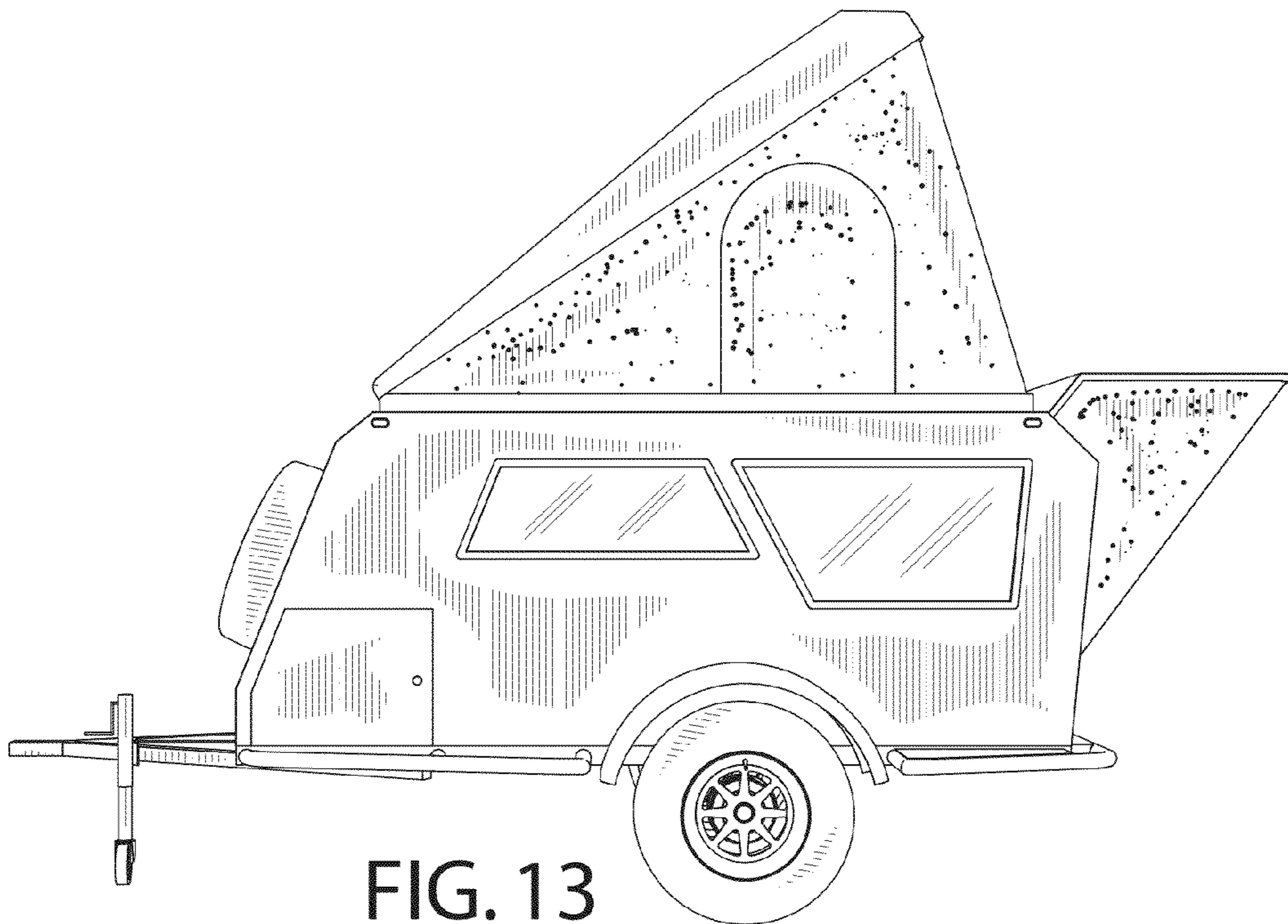


FIG. 13

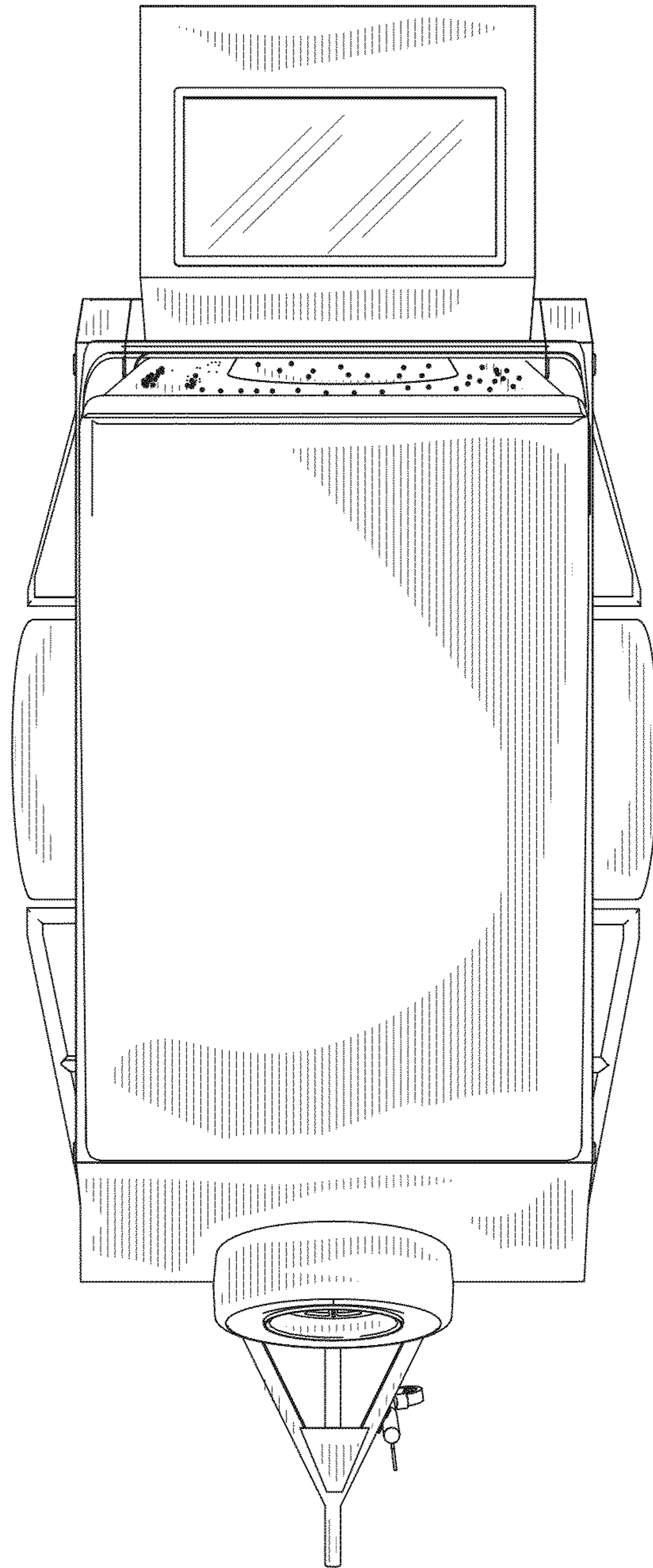


FIG. 14