

US00D737725S

(12) **United States Design Patent**  
**Bell**

(10) **Patent No.:** **US D737,725 S**

(45) **Date of Patent:** **\*\* Sep. 1, 2015**

(54) **TRAILER**

(71) Applicant: **Norman Brett Bell**, Mount Barker (AU)

(72) Inventor: **Norman Brett Bell**, Mount Barker (AU)

(\*\*) Term: **14 Years**

(21) Appl. No.: **29/481,034**

(22) Filed: **Jan. 31, 2014**

(30) **Foreign Application Priority Data**

Jul. 31, 2013 (AU) ..... 13676/2013

(51) **LOC (10) Cl.** ..... **12-10**

(52) **U.S. Cl.**  
USPC ..... **D12/102**

(58) **Field of Classification Search**  
USPC ..... D12/100-106, 19, 129, 111-112;  
D34/21-26, 12, 16-19; 280/204, 205,  
280/63, 475, 482, 647; 296/168, 180,  
296/180.2, 61, 10, 100.01-100.08;  
D21/425, 435

See application file for complete search history.

(56) **References Cited**

**U.S. PATENT DOCUMENTS**

D603,299 S \* 11/2009 Prusmack ..... D12/102  
D625,667 S \* 10/2010 Oviedo ..... D12/102  
D630,558 S \* 1/2011 Hopkins Clutterbuck  
et al. .... D12/106

D653,588 S \* 2/2012 Heard ..... D12/102  
D659,595 S \* 5/2012 Eliason ..... D12/102  
D661,229 S \* 6/2012 O'Neill ..... D12/102  
D662,444 S \* 6/2012 Smoak et al. .... D12/102  
D664,072 S \* 7/2012 Halloran ..... D12/102

\* cited by examiner

*Primary Examiner* — Katrina A Betton

(74) *Attorney, Agent, or Firm* — Harness, Dickey & Pierce, P.L.C.

(57) **CLAIM**

The ornamental design for a trailer, as shown and described.

**DESCRIPTION**

FIG. 1 is a front perspective view of a trailer showing my new design;

FIG. 2 is a rear perspective view of the design;

FIG. 3 is a side view of the design;

FIG. 4 is a plan view of the design;

FIG. 5 is a front view of the design;

FIG. 6 is a rear view of the design;

FIG. 7 is a front perspective view of the design showing the trailer in the open position;

FIG. 8 is a rear perspective view of the trailer in the open position;

FIG. 9 is a side view of the trailer in the open position;

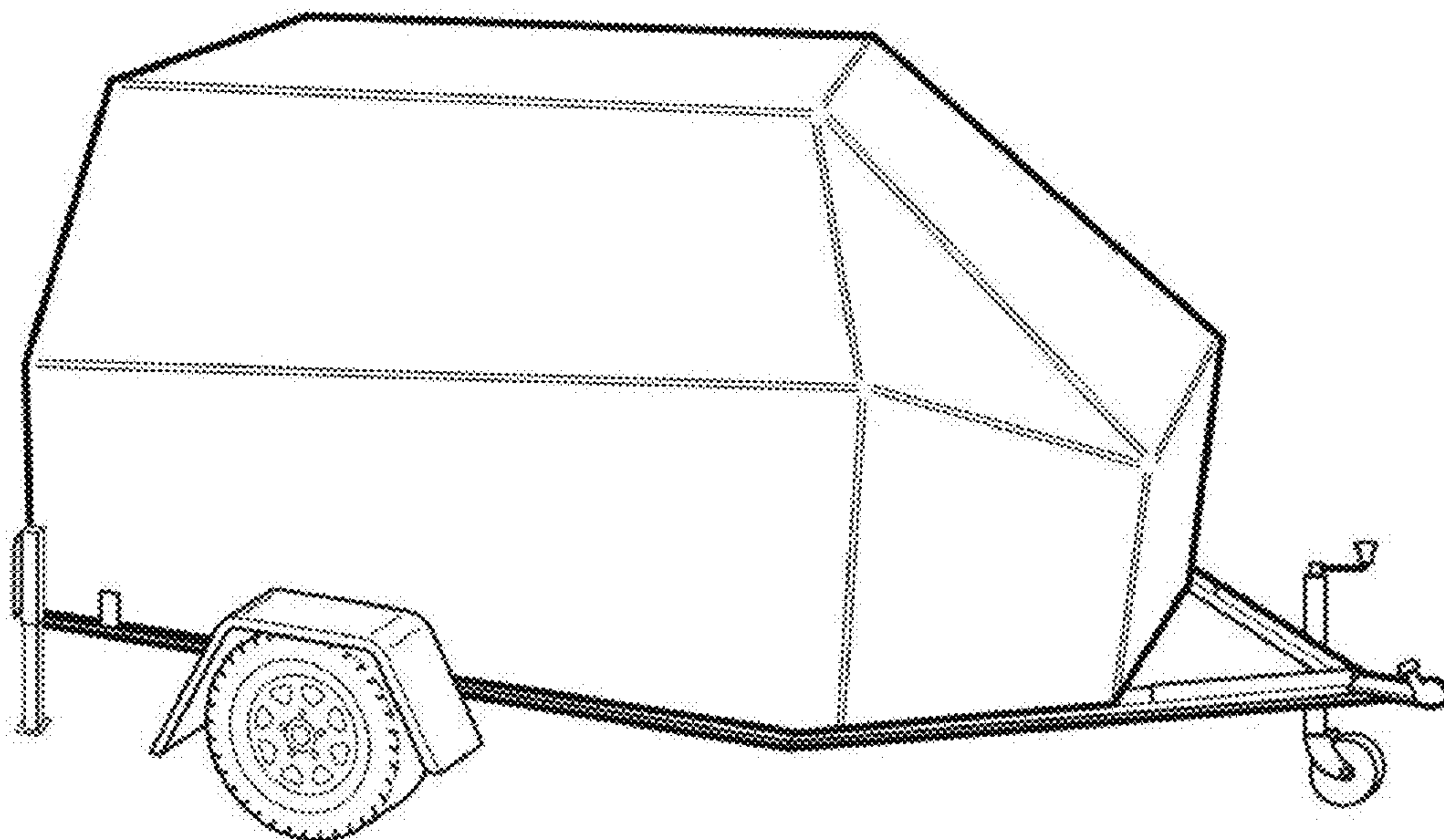
FIG. 10 is a plan view of the trailer in the open position;

FIG. 11 is a front view of the trailer in the open position; and,

FIG. 12 is a rear view of the trailer in the open position.

FIGS. 7-12 show the trailer in the open position with the ramp deployed for loading/unloading.

**1 Claim, 6 Drawing Sheets**



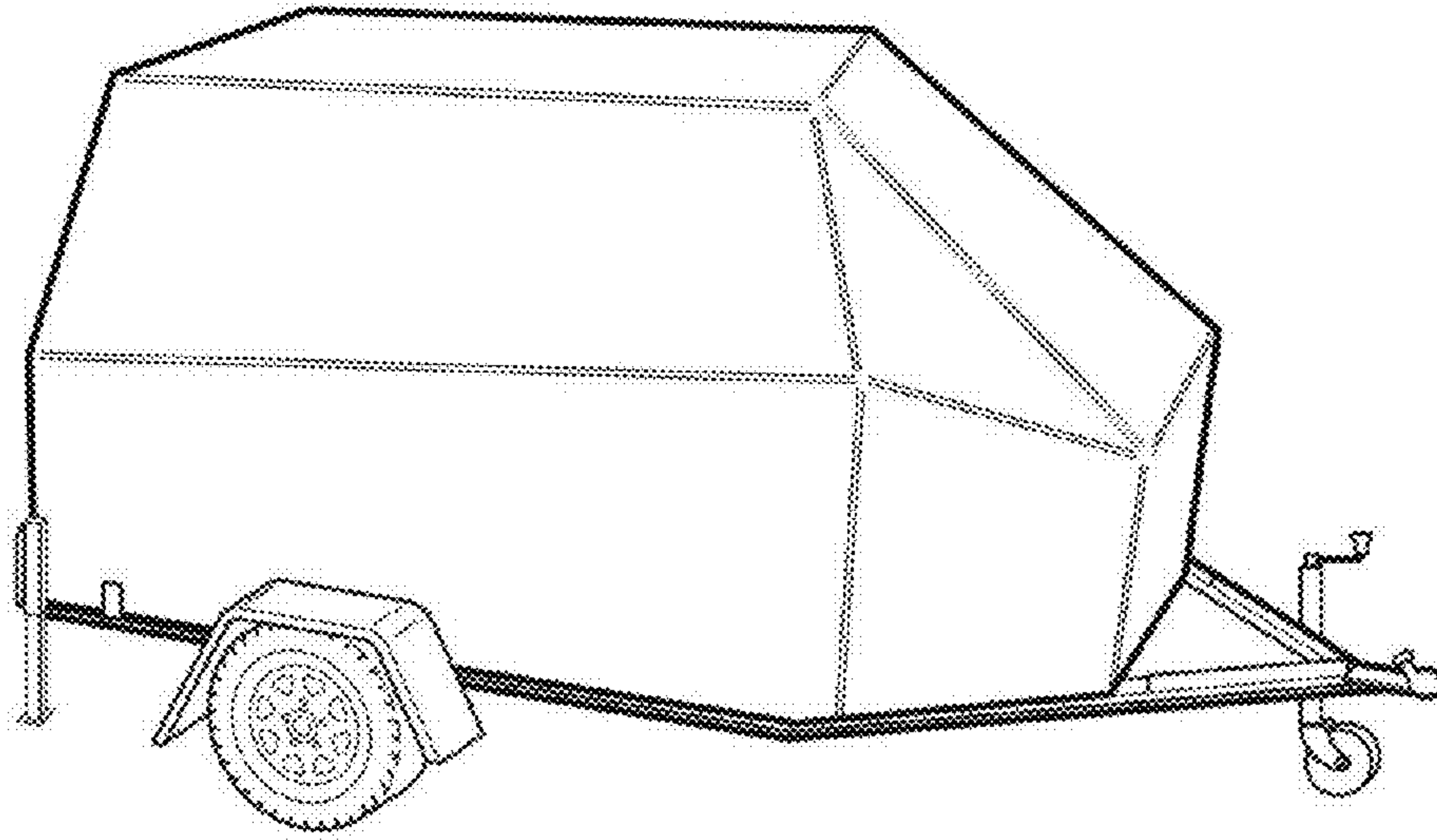


FIG. 1

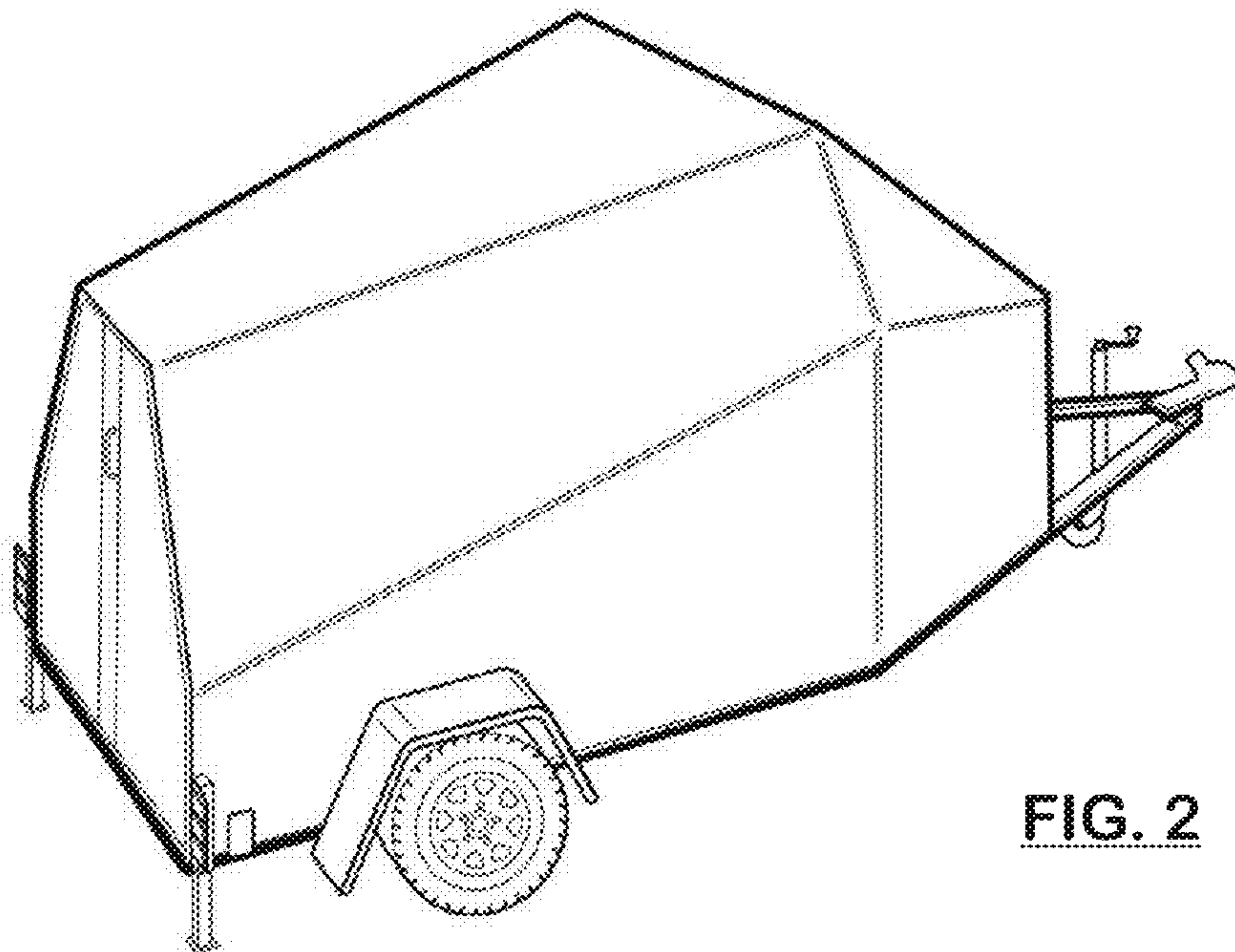


FIG. 2

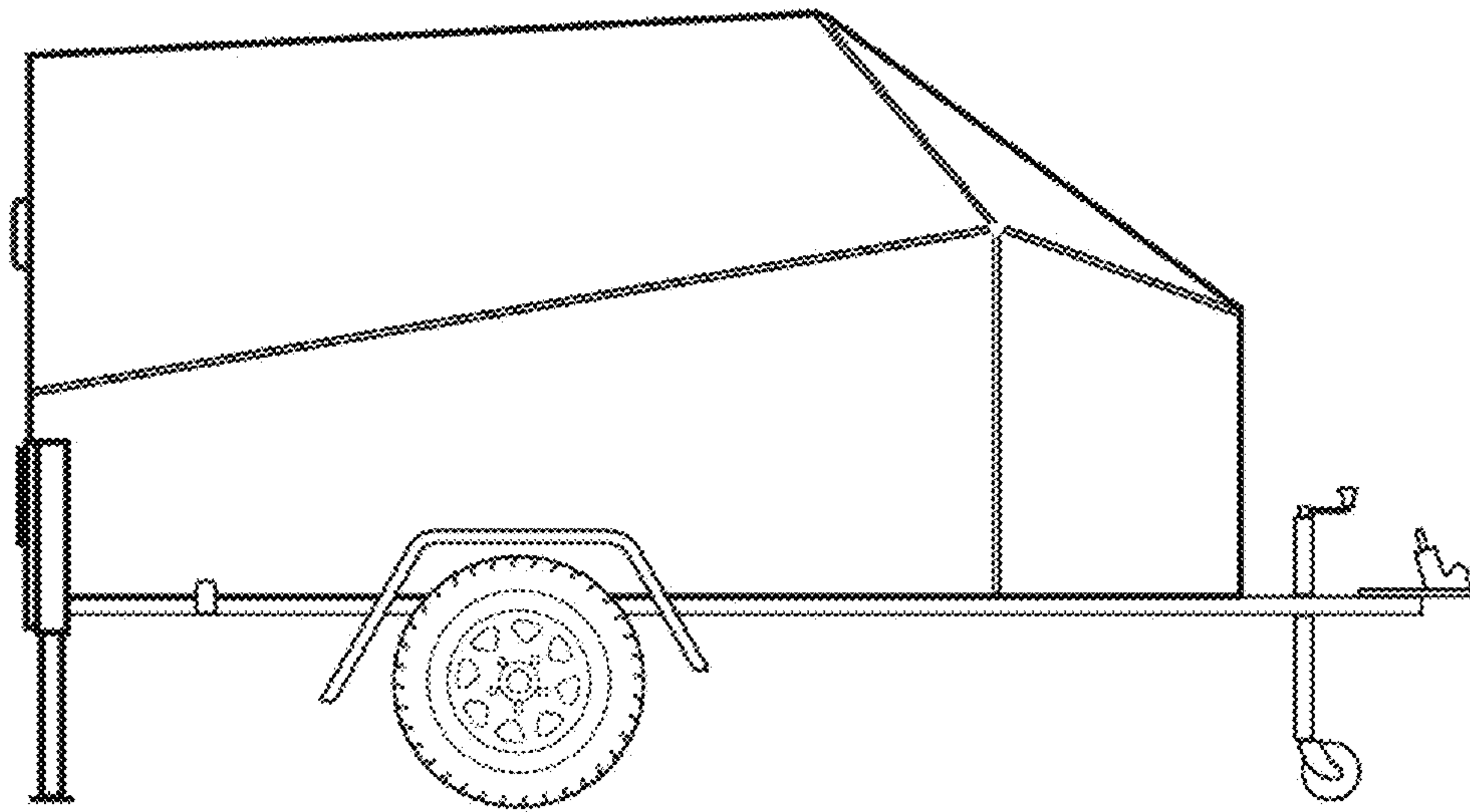


FIG. 3

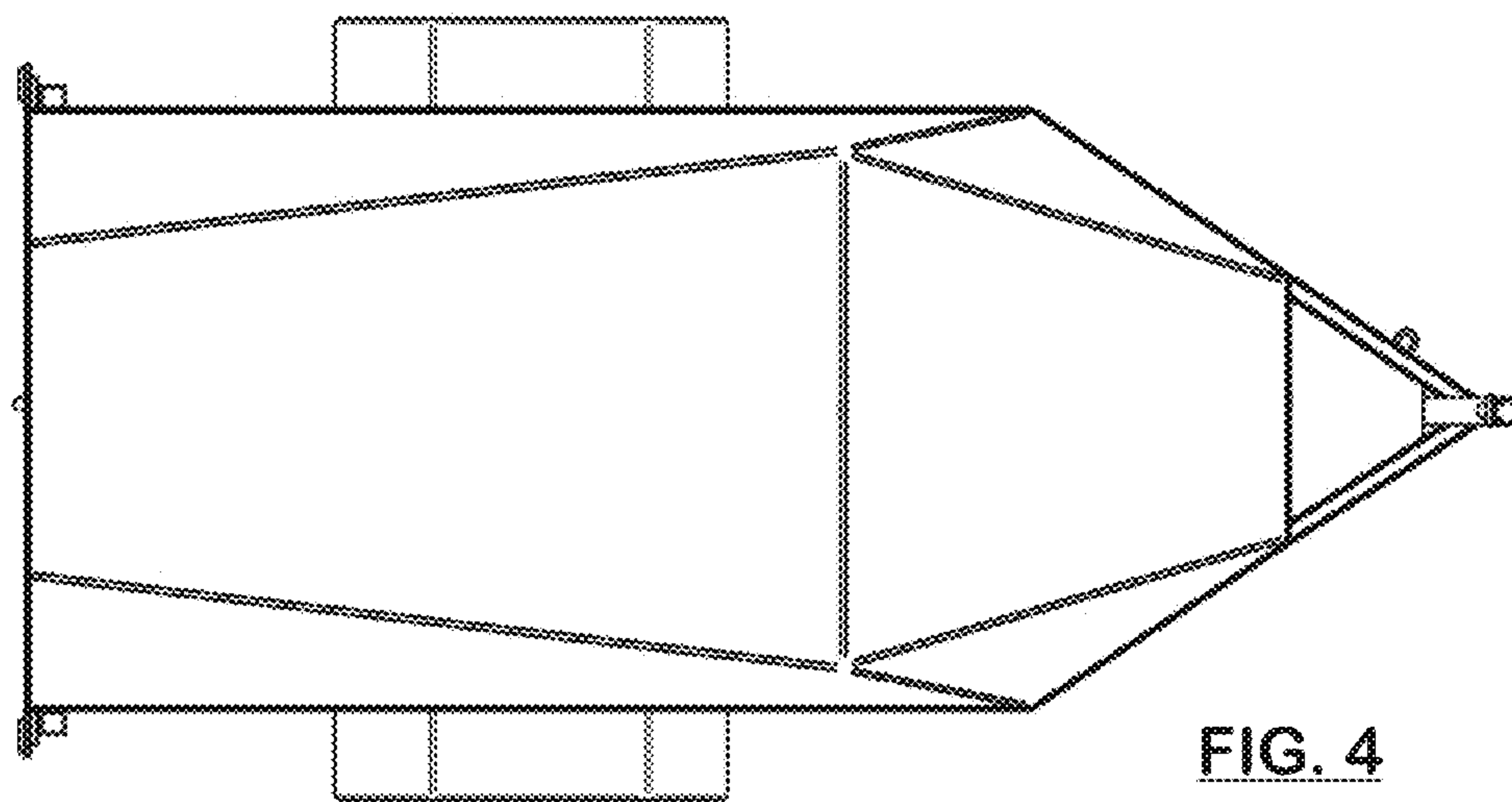


FIG. 4



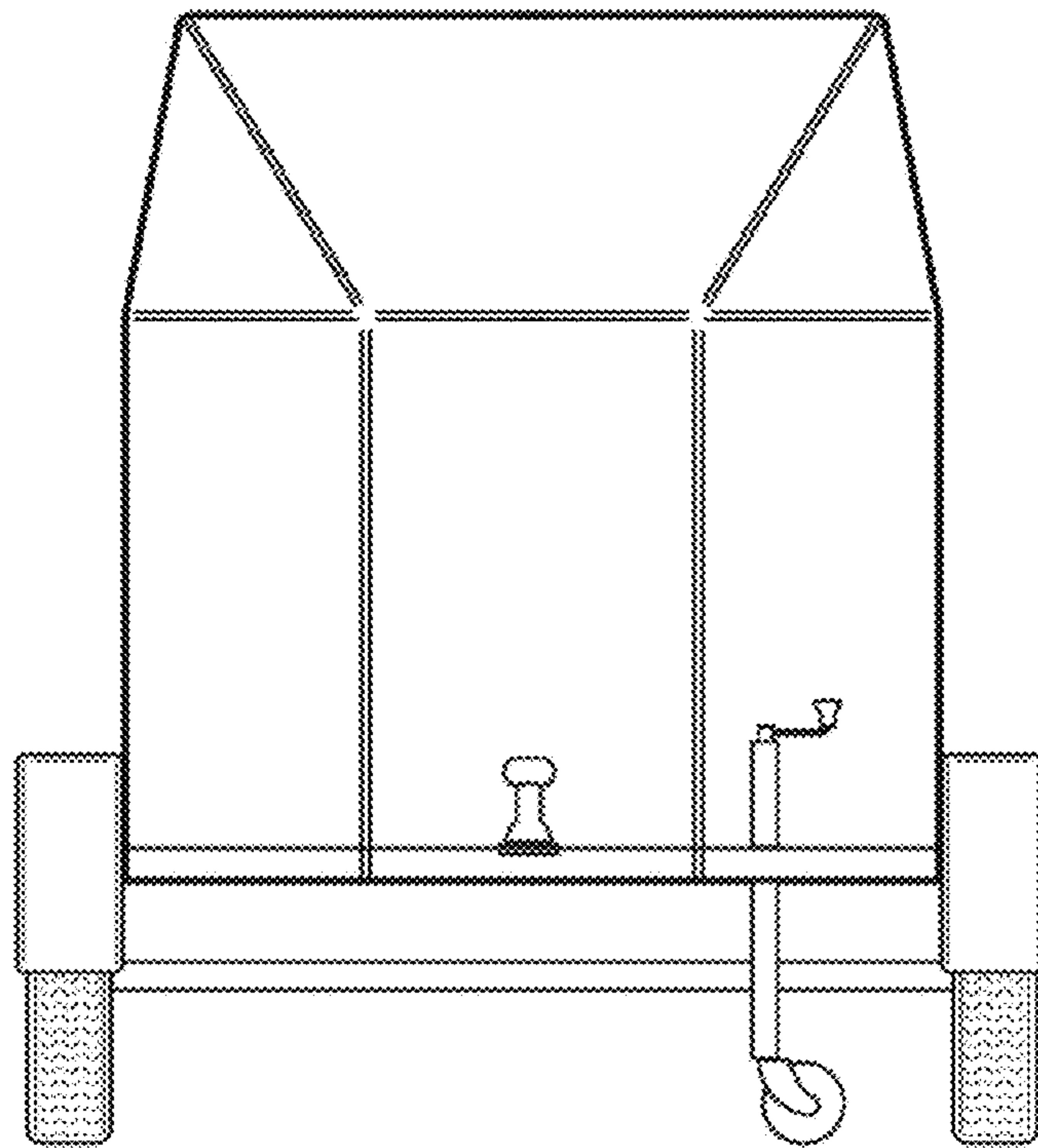


FIG. 5

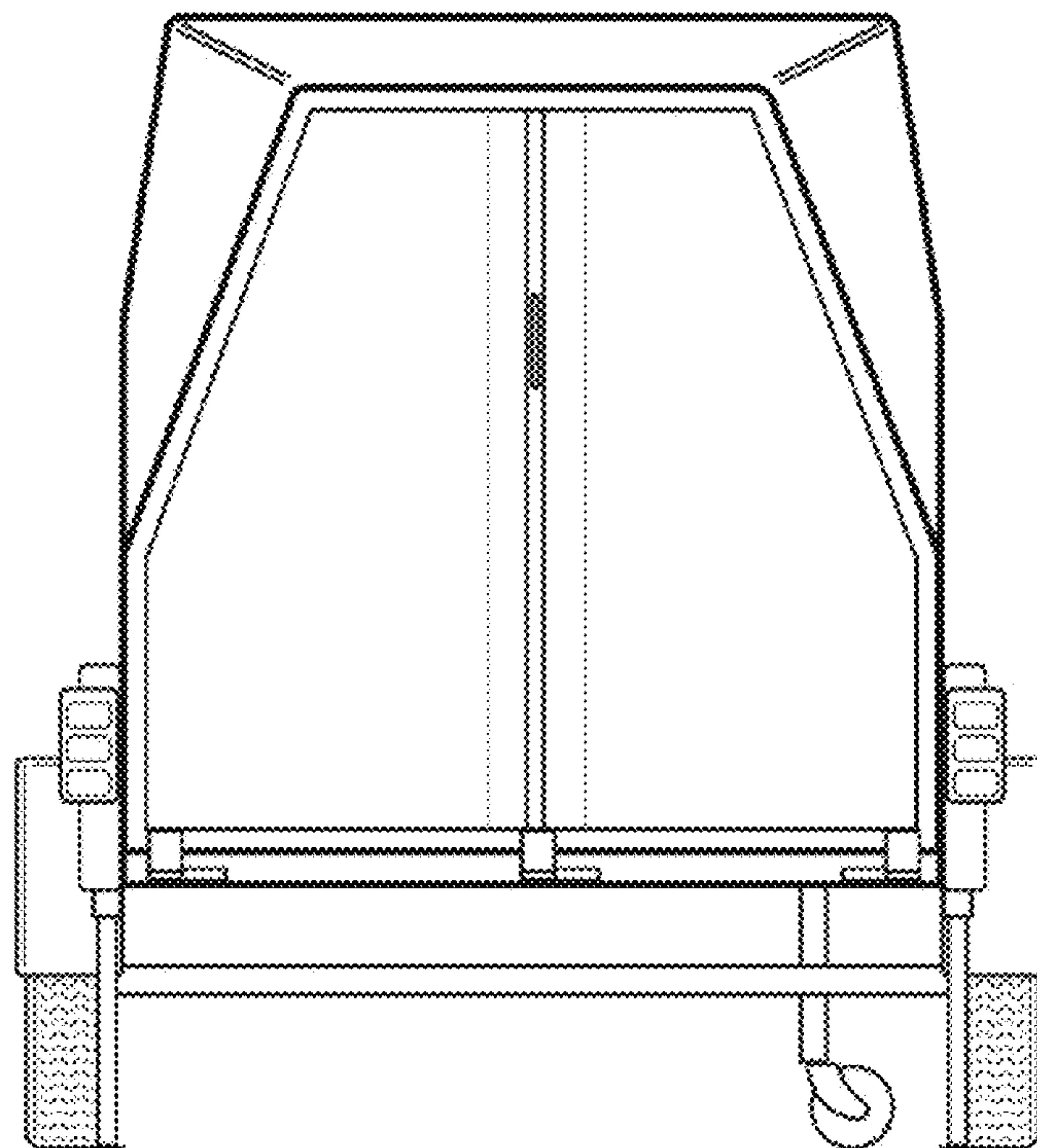


FIG. 6

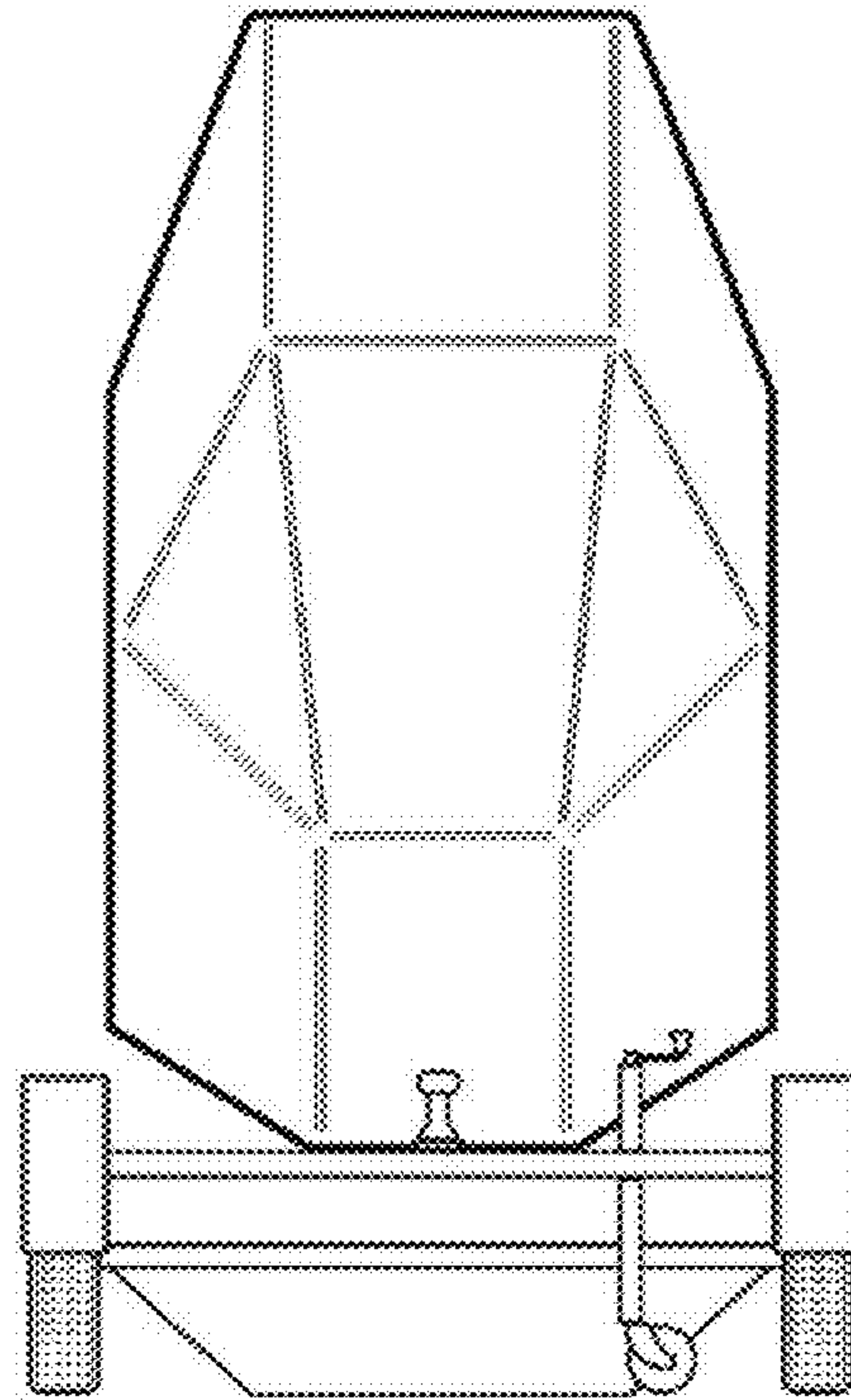


FIG. 7

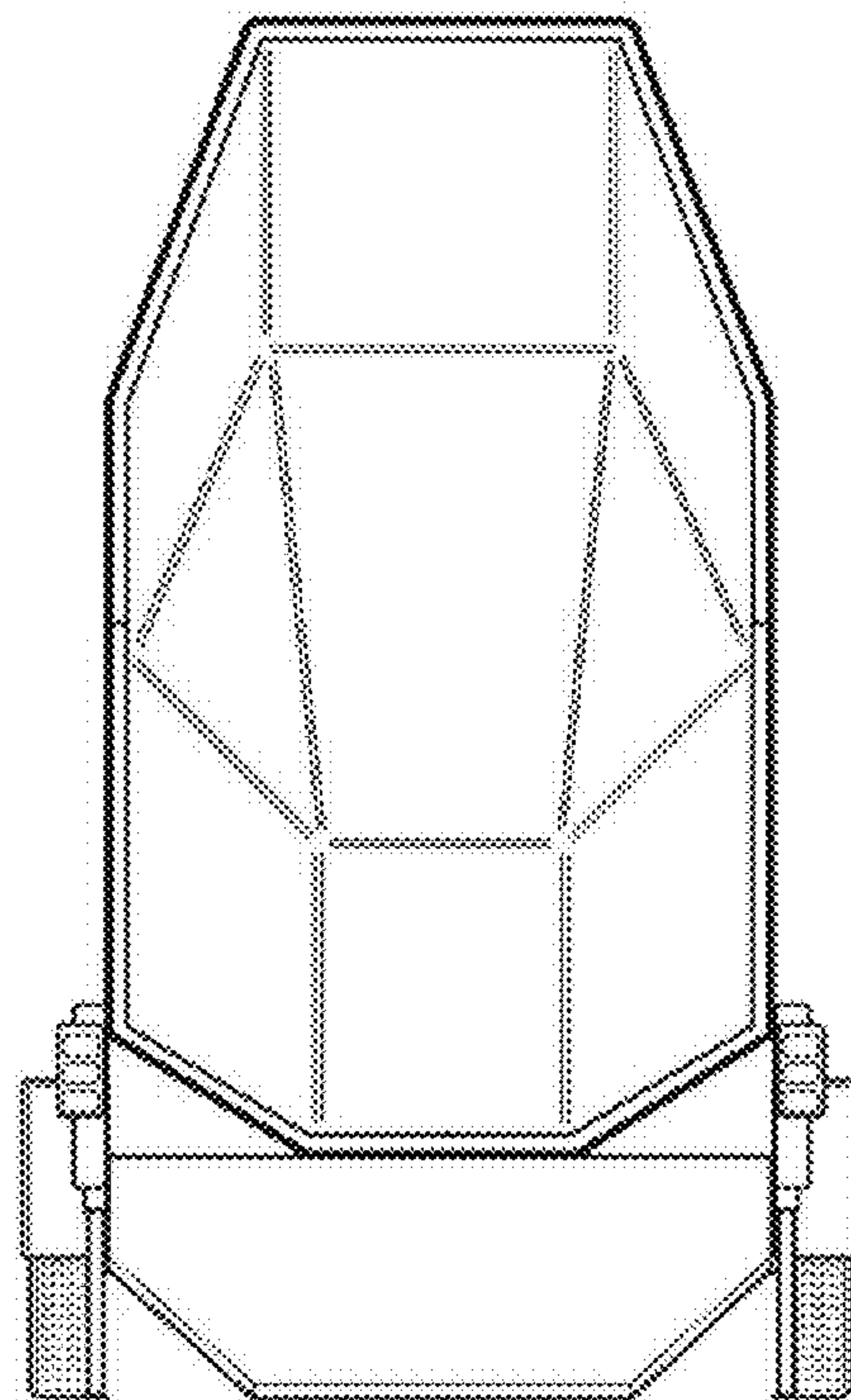


FIG. 8

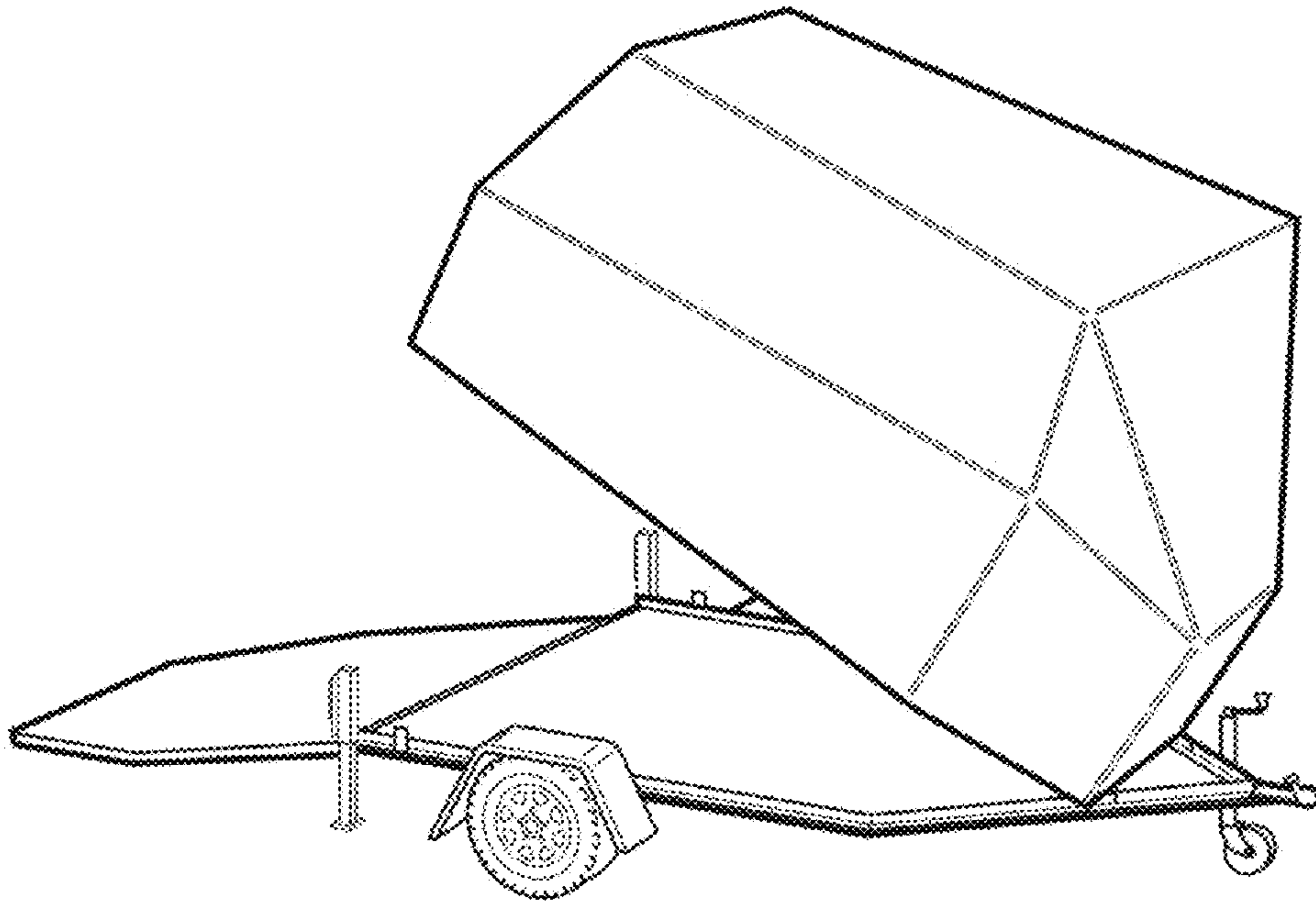


FIG. 9

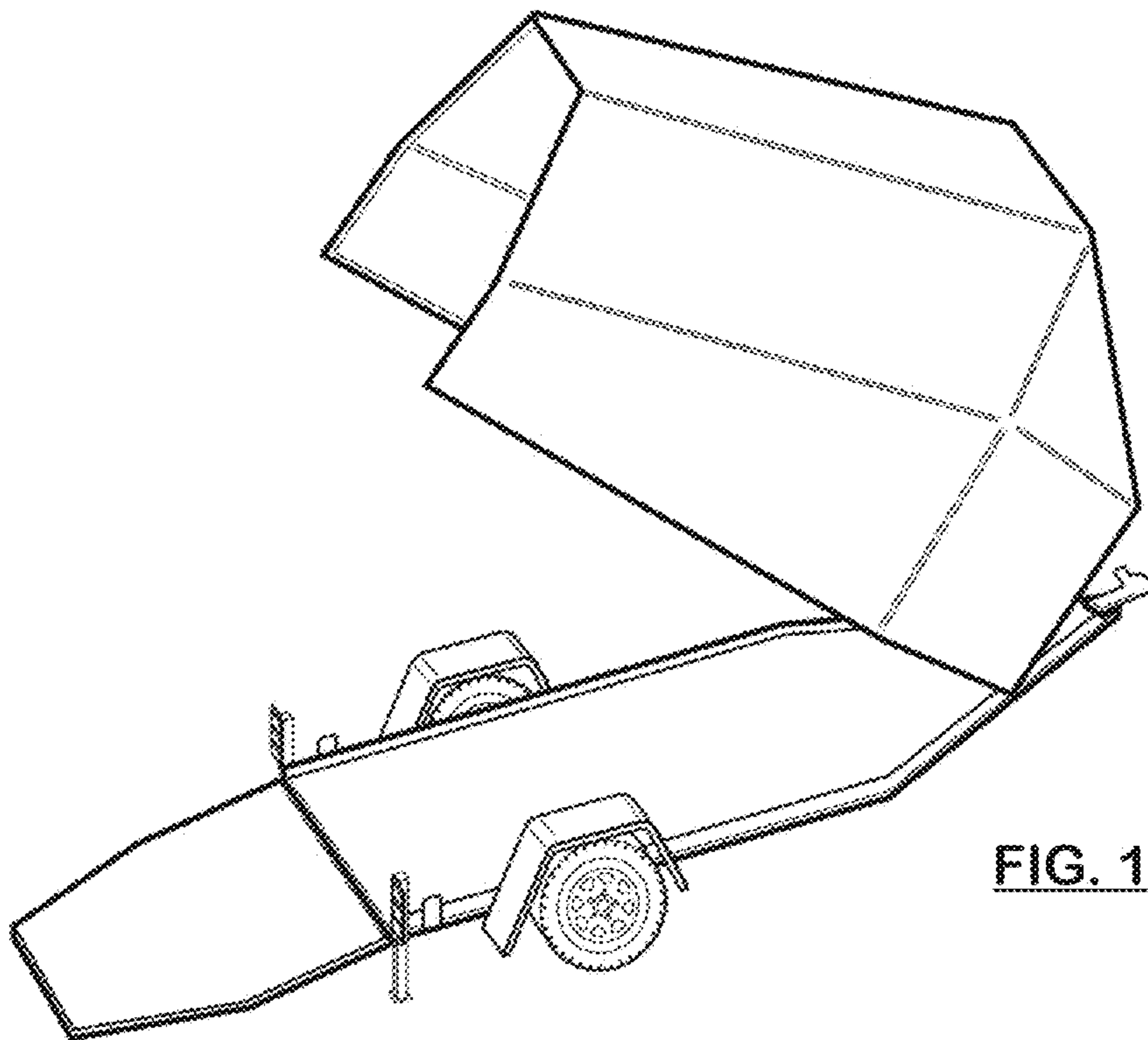


FIG. 10

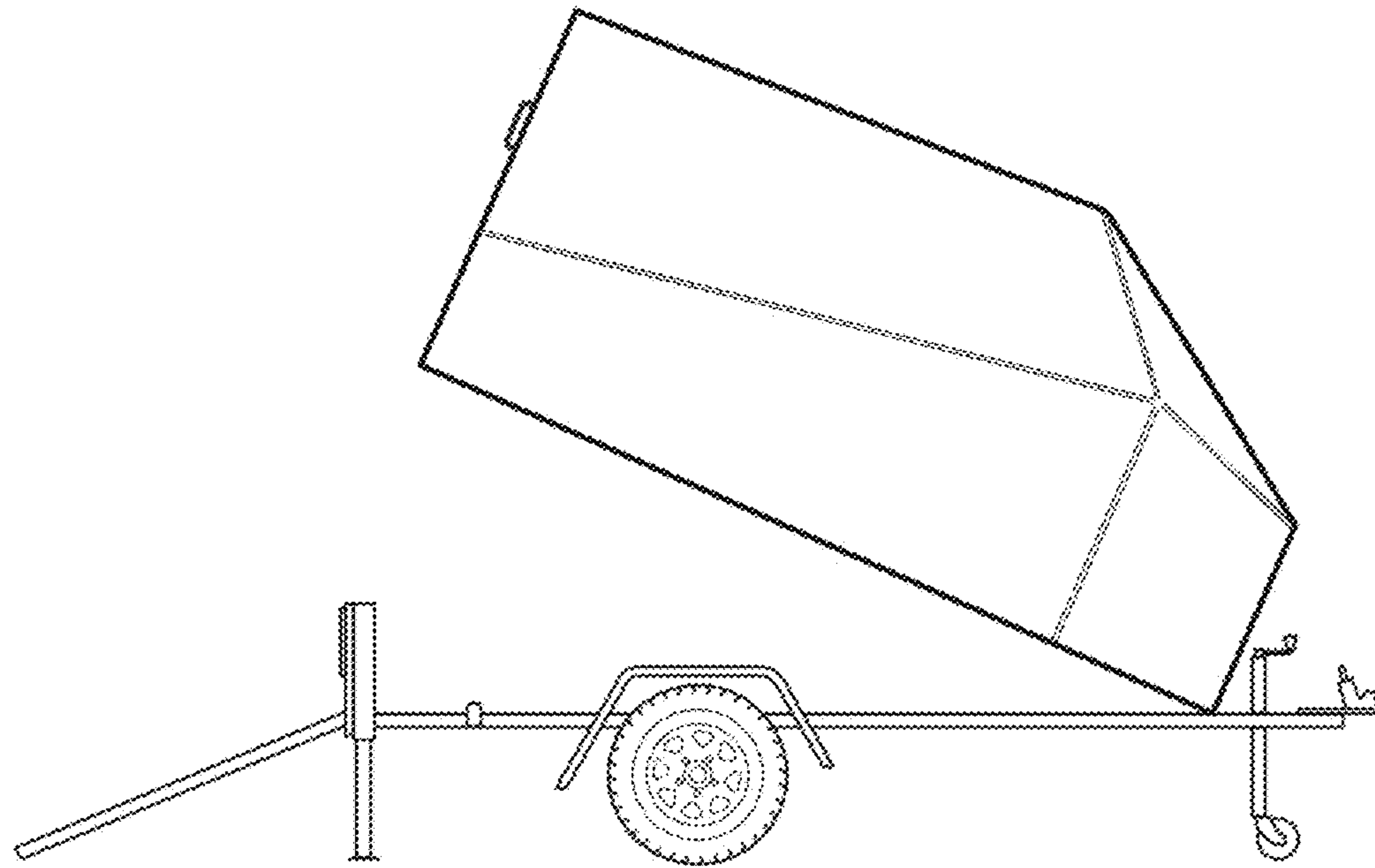


FIG. 11

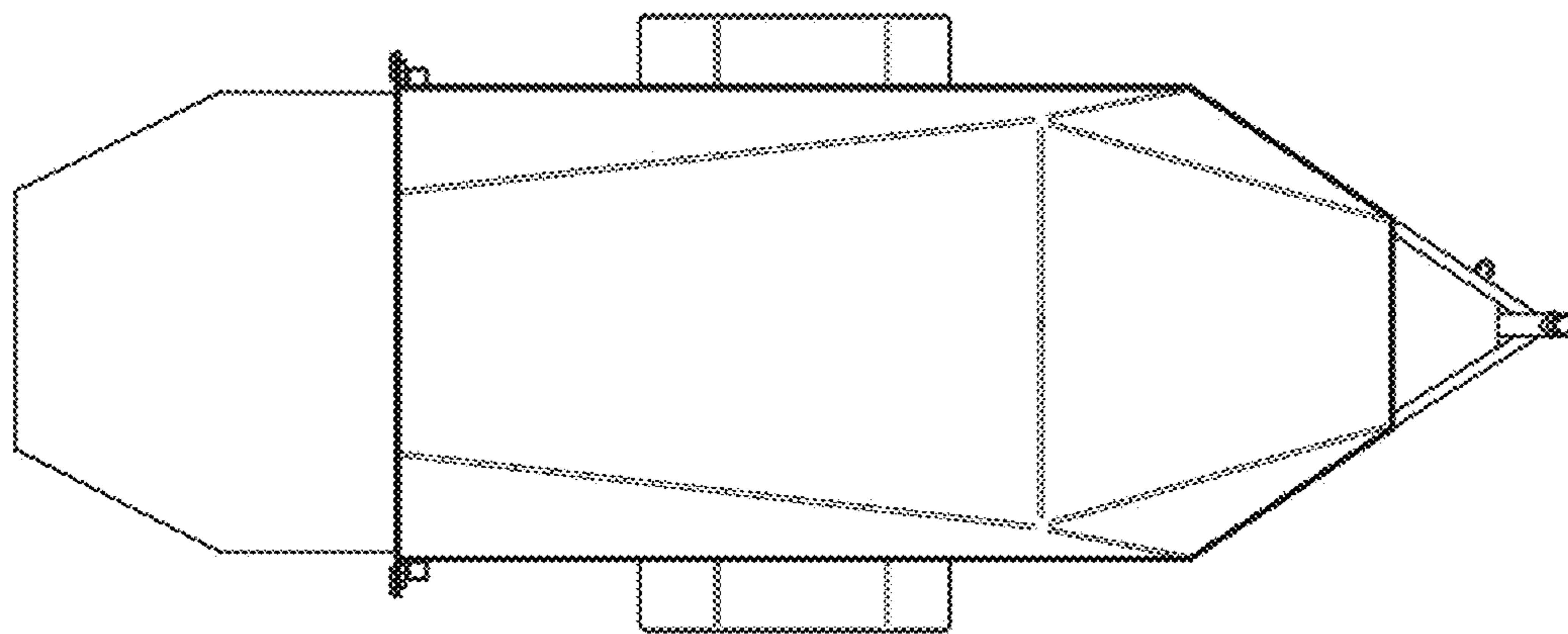


FIG. 12