

US00D737722S

(12) **United States Design Patent**
Muhlenfeld et al.

(10) **Patent No.:** **US D737,722 S**
(45) **Date of Patent:** **** Sep. 1, 2015**

(54) **HOOK AND EYE CLOSURE ASSEMBLY**

D369,327 S * 4/1996 Fildan D11/210
D412,462 S * 8/1999 Fildan D11/208
D525,168 S * 7/2006 Pontaoe D11/208

(71) Applicant: **Victoria's Secret Stores Brand Management, Inc.**, Reynoldsburg, OH (US)

(Continued)

(72) Inventors: **Stephanie Kristin Muhlenfeld**, Old Bridge, NJ (US); **Tracey Randall**, New York, NY (US); **Ursula Giovanna Todaro**, Glendale, NY (US)

OTHER PUBLICATIONS

Anita Active Front Close Sports Bra, <http://www.herroom.com/anita-5523-active-front-close-sports-bra.shtml>, web site visited on May 9, 2014.

(Continued)

(73) Assignee: **Victoria's Secret Stores Brand Management, Inc.**, Reynoldsburg, OH (US)

Primary Examiner — Ralf Seifert

(74) *Attorney, Agent, or Firm* — Andrus Intellectual Property Law, LLP

(**) Term: **14 Years**

(57) **CLAIM**

(21) Appl. No.: **29/507,021**

The ornamental design for a hook and eye closure assembly, as shown and described.

(22) Filed: **Oct. 23, 2014**

DESCRIPTION

(51) **LOC (10) Cl.** **11-02**

(52) **U.S. Cl.**
USPC **D11/208**

(58) **Field of Classification Search**
USPC D11/1-2, 200-201, 206-210, 214-218;
24/163 R, 169-171, 173, 177-179, 191,
24/194-195, 197, 200, 614-616, 625, 198,
24/630; D8/349, 395
CPC A44B 11/26; A44B 11/25; A44F 11/04
See application file for complete search history.

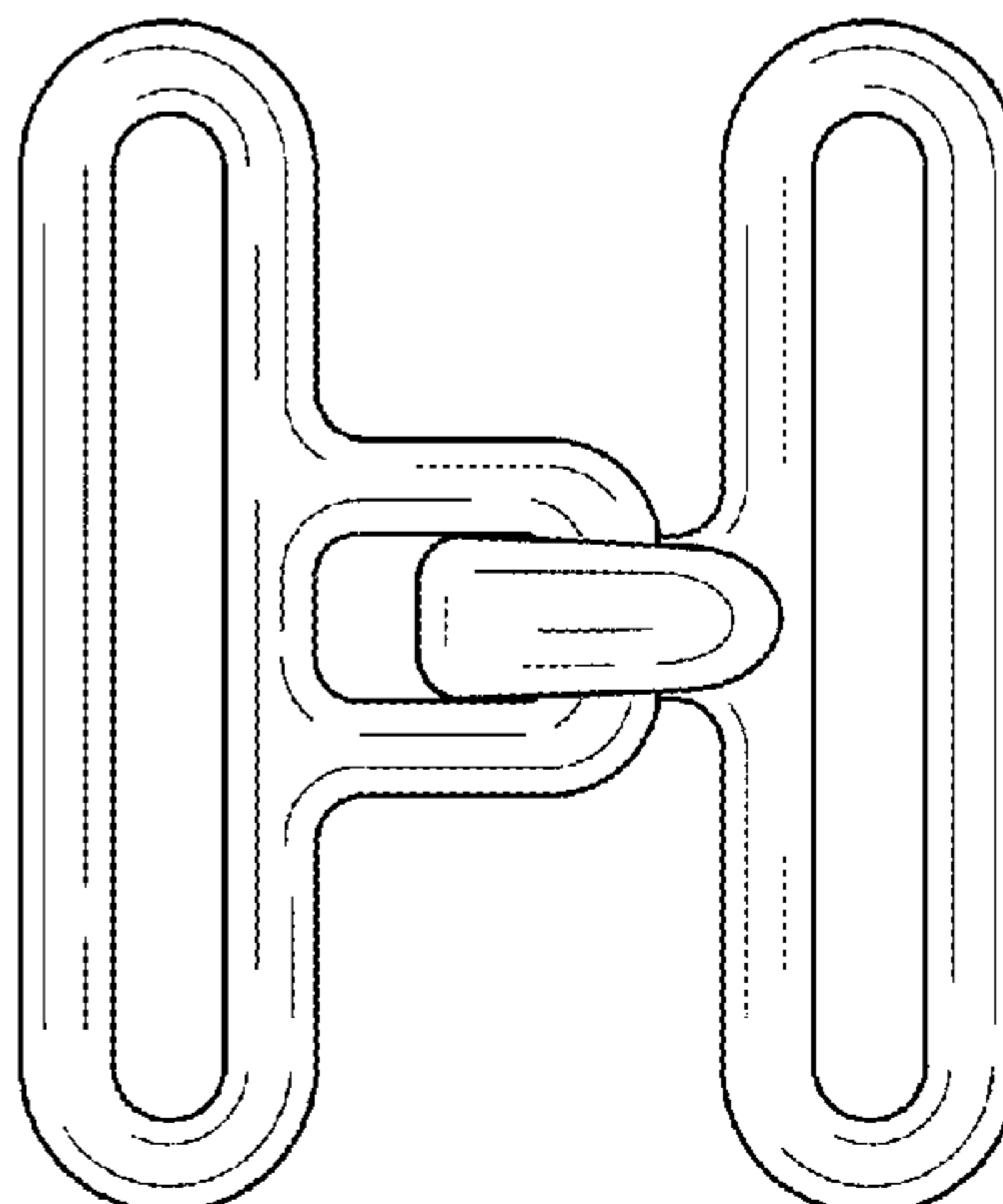
FIG. 1 is a front view of our new and ornamental design for a hook and eye closure assembly, shown in use on a brassiere; FIG. 2 is a close up front view thereof; FIG. 3 is a back view thereof; FIG. 4 is a top view thereof; FIG. 5 is a bottom view thereof; FIG. 6 is a left view thereof; FIG. 7 is a right view thereof; FIG. 8 is a front view thereof, showing the hook and eye closure assembly in an alternate, un-hooked position; FIG. 9 is a back view thereof; FIG. 10 is a top view thereof; FIG. 11 is a bottom view thereof; FIG. 12 is a left view thereof; and, FIG. 13 is a right view thereof. In FIG. 1, the broken lines are directed to environment and are for illustrative purposes only; the broken lines form no part of the claimed design.

(56) **References Cited**

U.S. PATENT DOCUMENTS

D46,003 S * 6/1914 Moore D11/212
1,354,095 A * 9/1920 Evans 24/701
D111,854 S * 10/1938 Kratz D11/201
D113,974 S * 3/1939 Manning D11/218
2,337,835 A * 12/1943 Peterson 24/625
3,577,609 A * 5/1971 Gottfried 24/678
D269,824 S * 7/1983 Kanzaka D11/210
D369,129 S * 4/1996 Fildan D11/210

1 Claim, 5 Drawing Sheets



(56)

References Cited

U.S. PATENT DOCUMENTS

D536,638 S	*	2/2007	Fildan et al.	D11/210
D571,254 S	*	6/2008	Wanzenbock	D11/212
D632,608 S	*	2/2011	Corrado	D11/208
D632,610 S	*	2/2011	Corrado	D11/208

OTHER PUBLICATIONS

Carole Martin Women's Full-Freedom Cotton Bra, http://www.amazon.com/Carole-Martin-Womens-Full-Freedom-Cotton/dp/B00FGC5QA6/ref=cts_ap_4_fbt, web site visited on Apr. 2, 2015.
 CW-X Xtempo Running Bra, <http://cw-x.com/ExploreProducts.aspx?product=bras&by=collection&gender=womens>, web site visited on Dec. 15, 2014.
 Danskin Now Front Close Deep Plunge Sport Bra, <http://www.walmart.com/ip/Danskin-Now-Front-Close-Deep-Plunge-Sport-Bra/17480246>, web site visited on May 20, 2014.
 Enell Maximum Control Wire-Free Sports Bra, http://www.barenecessities.com/product.aspx?pf_id=Enell100004&siteID=J84DHJLQkR4-ukDEcqHCIQS8t*ymjphZug&redir=product:Enell100004&referrer=mdsr&LID=00000001&source=affiliate&term=J84DHJLQkR4&cm_mmc=AFFL--J84DHJLQkR4--mch--nell100004&utm_medium=AFFL&utm_source=J84DHJLQkR4&utm_campaign=mch&utm_content=nell100004&cmp=xyz, web site visited Apr. 12, 2015.
 Enell Lite Sports Bra NL101, http://www.herroom.com/Enell-NL101-Lite-Sports-Bra.shtml?utm_source=adv&utm_

[medium=search&device=c&network=g&matchtype=&utm_campaign=pla](http://www.herroom.com/enell-100-sports-bra.shtml), web site visited on May 20, 2014.
 Enell Sports Bra 100, <http://www.herroom.com/enell-100-sports-bra.shtml>, web site visited on May 20, 2014.
 Fruit of the Loom Comfort Front-Close Sports Bra, <http://www.walmart.com/ip/Fruit-of-the-Loom-Comfort-Front-Close-Sports-Bra-Style-96014/13997192>, web site visited on May 20, 2014.
 Fruit of the Loom Front Close Racerback Sport Bra, <http://www.walmart.com/ip/Fruit-of-the-Loom-Front-Close-Racerback-Sport-Bra-2-pack-FT390/33102925>, web site visited on May 20, 2014.
 Glamorise Bra: Complete Comfort Full-Figure Front-Closure Racerback Wireless Bra 1908—Women's, <http://www.kohls.com/product/prd-1801634/glamorise-bra-complete-comfort-full-figure-front-closure-racerback-wireless-bra-1908-womens.jsp?pfm=rrrecs-pdp-gtab1>, web site visited on Apr. 2, 2015.
 Leading Lady Cotton Front-Closure Leisure Bra, <http://www.leadinglady.com/cotton-front-closure-leisure-bra.html#>, web site visited on Apr. 2, 2015.
 Leonisa Women's Firm Control Wireless Back Support Bra, http://www.amazon.com/Leonisa-Posture-Corrector-Wireless-Bra-Nude/dp/B00AWB3OYG/ref=sr_1_48?s=apparel&ie=UTF8&qid=1427479248&sr=1-48&keywords=front+closure+sports+bra, web site visited on Apr. 2, 2015.
 Lululemon Athletica Lift & Separate IV, <http://shop.lululemon.com/products/clothes-accessories/bras-medium-support/Lift-And-Separate-IV?cc=7501&skuId=3533091&catId=bras-medium-support>, web site visited on May 20, 2014.

* cited by examiner

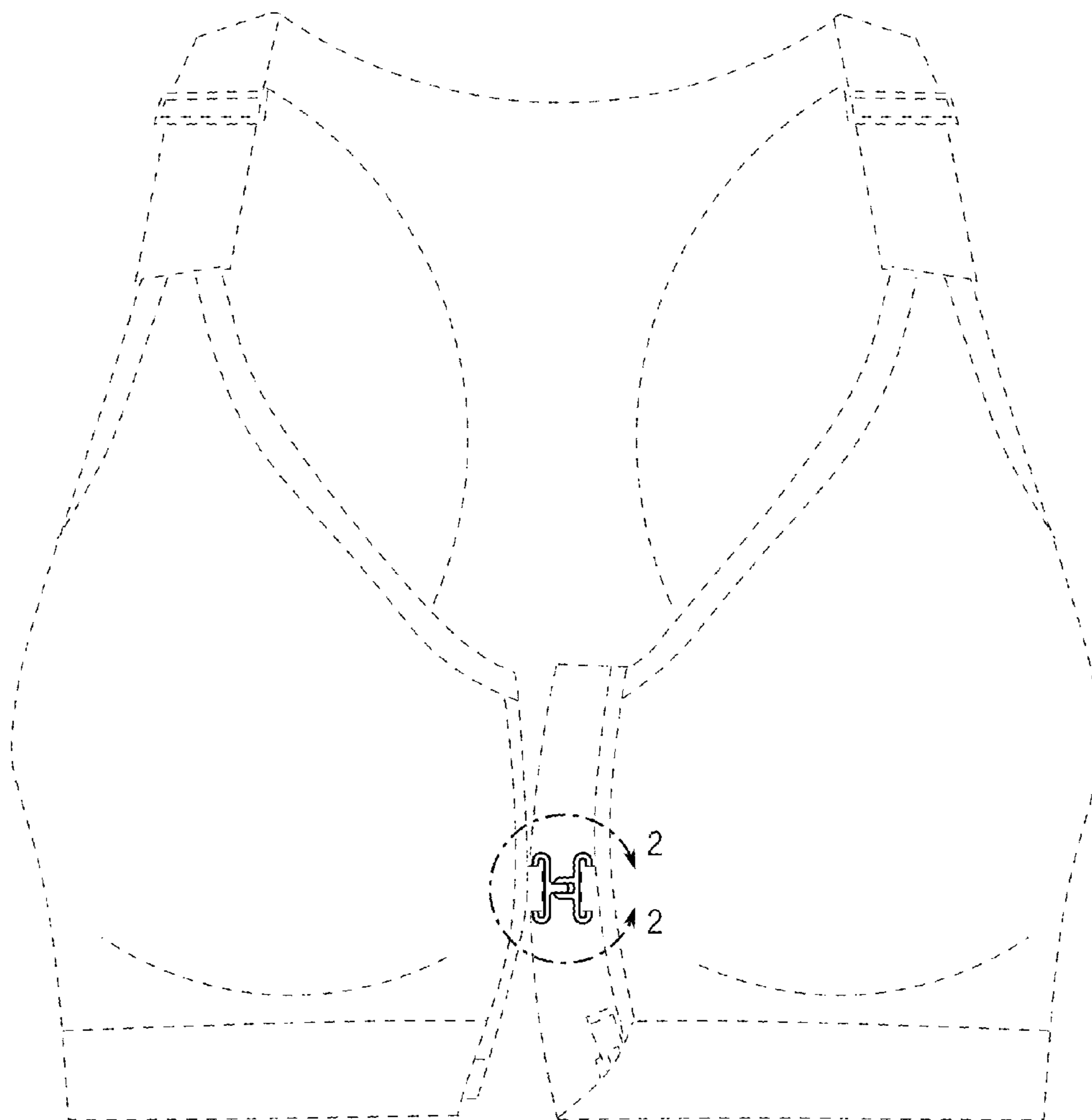


FIG. 1

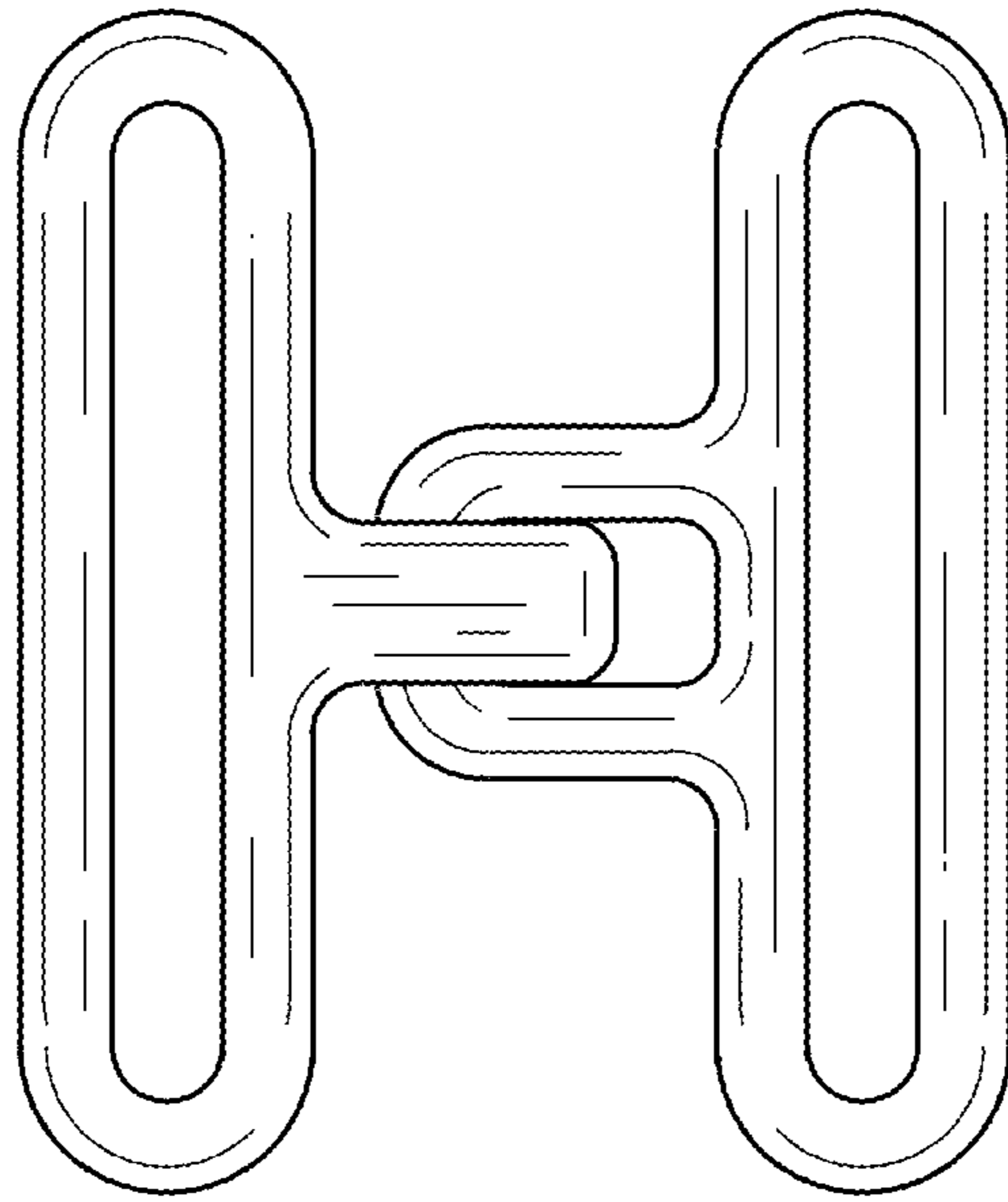


FIG. 2

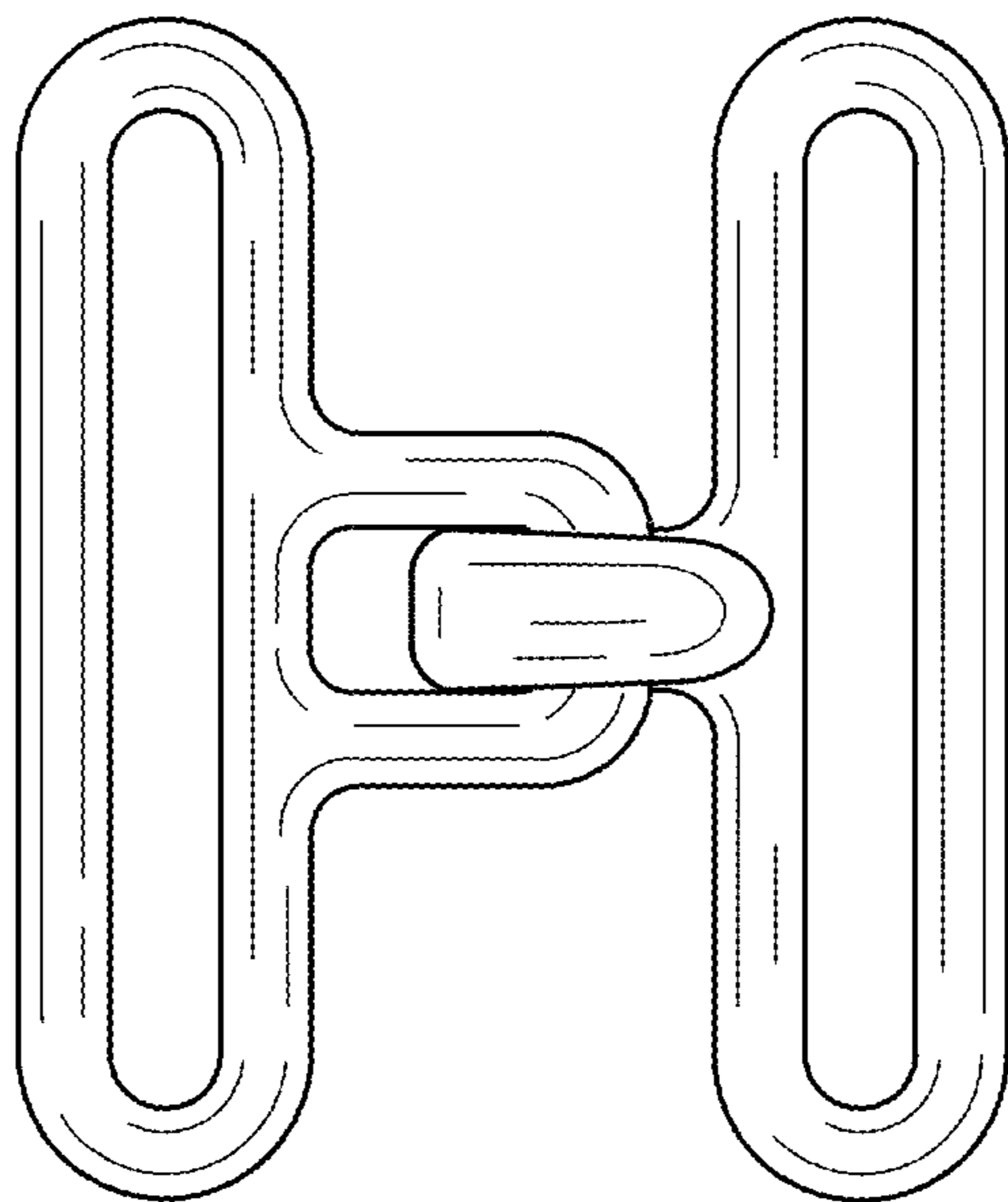


FIG. 3

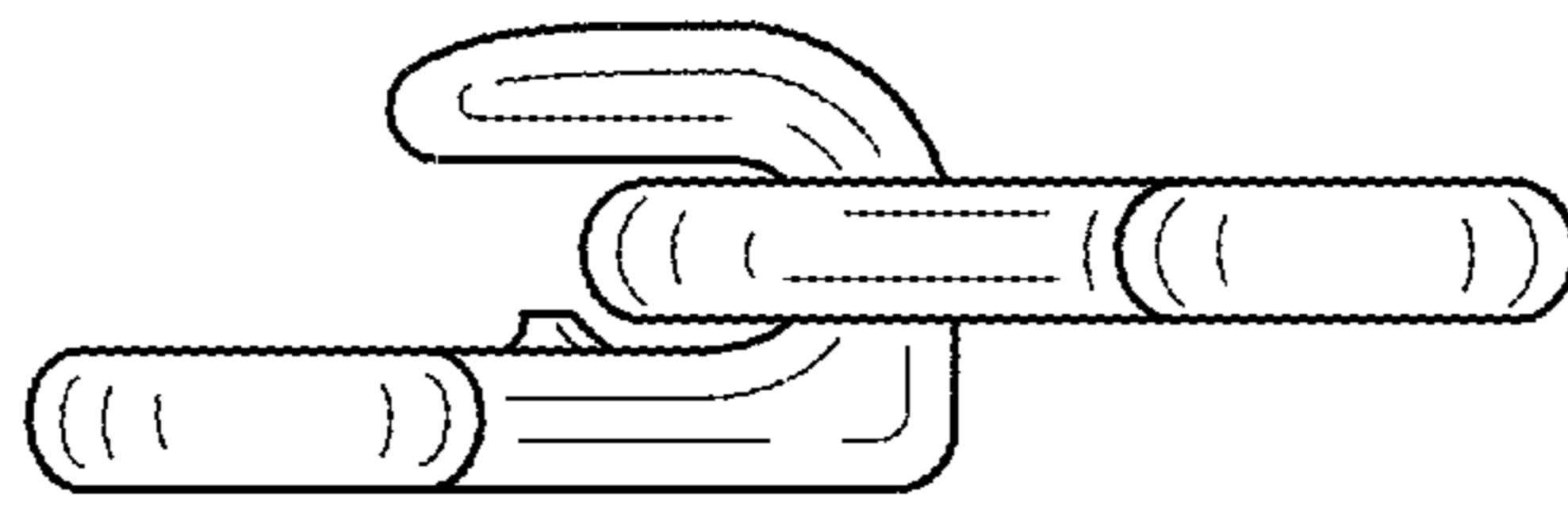


FIG. 4

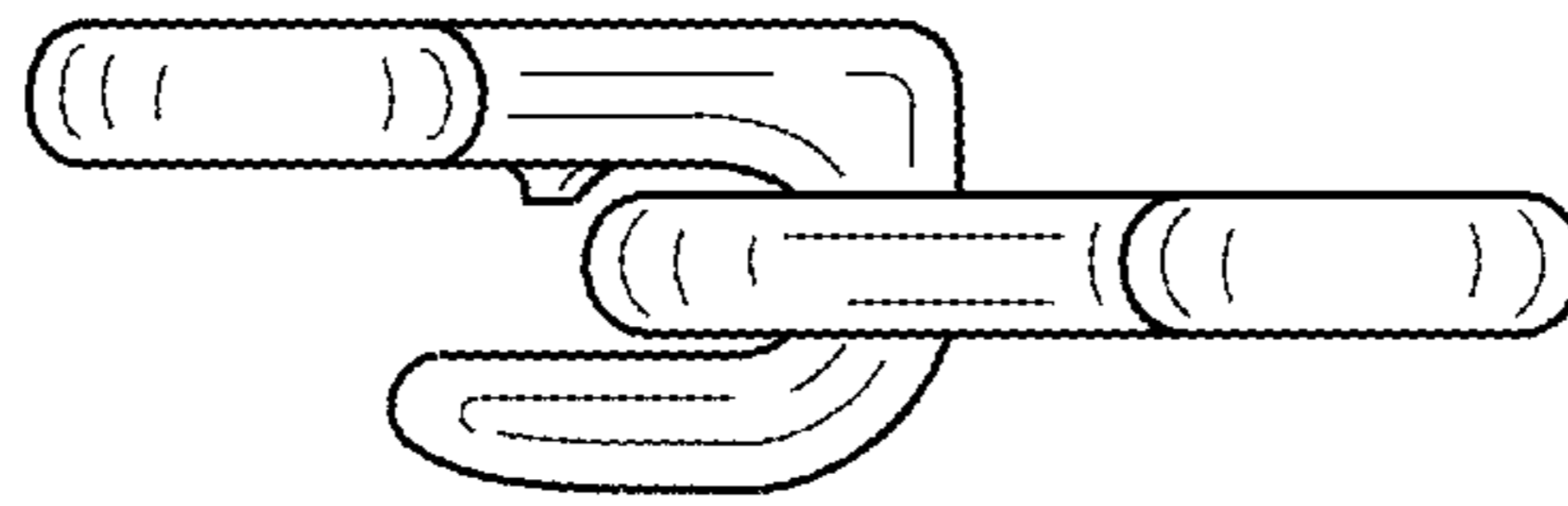


FIG. 5

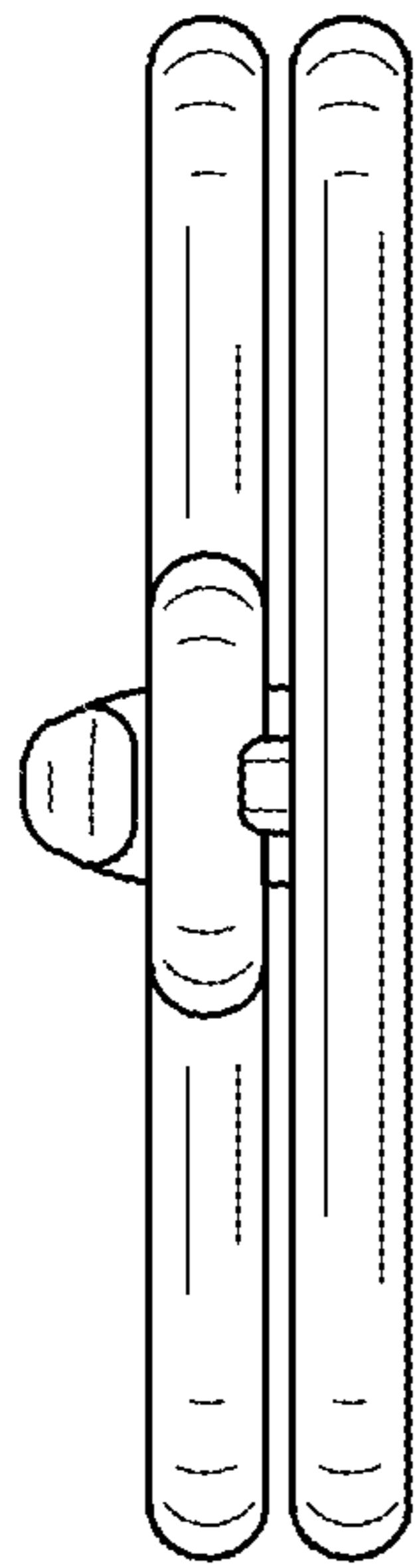


FIG. 6

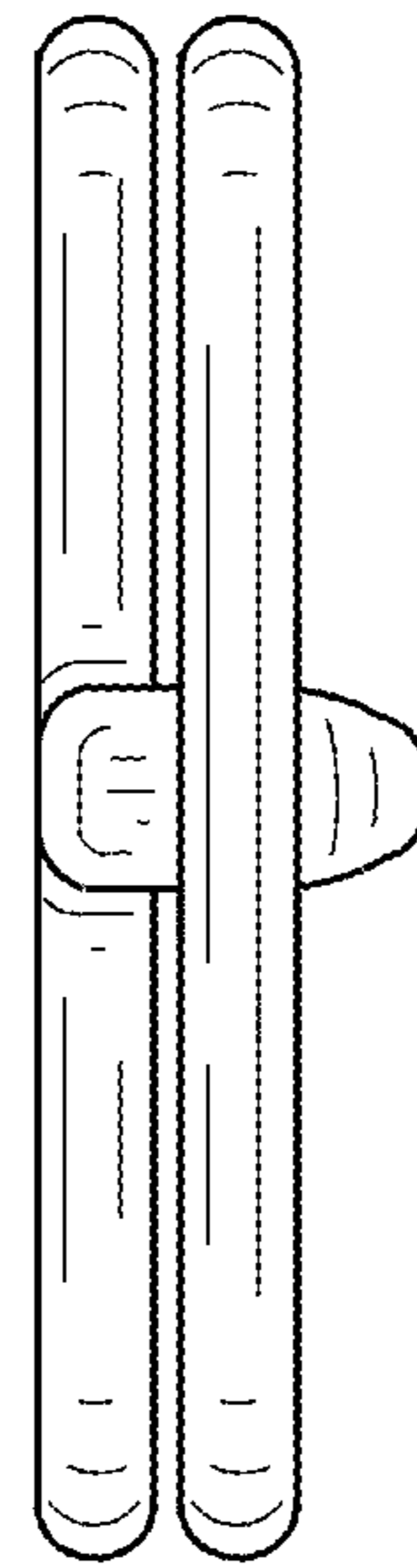


FIG. 7

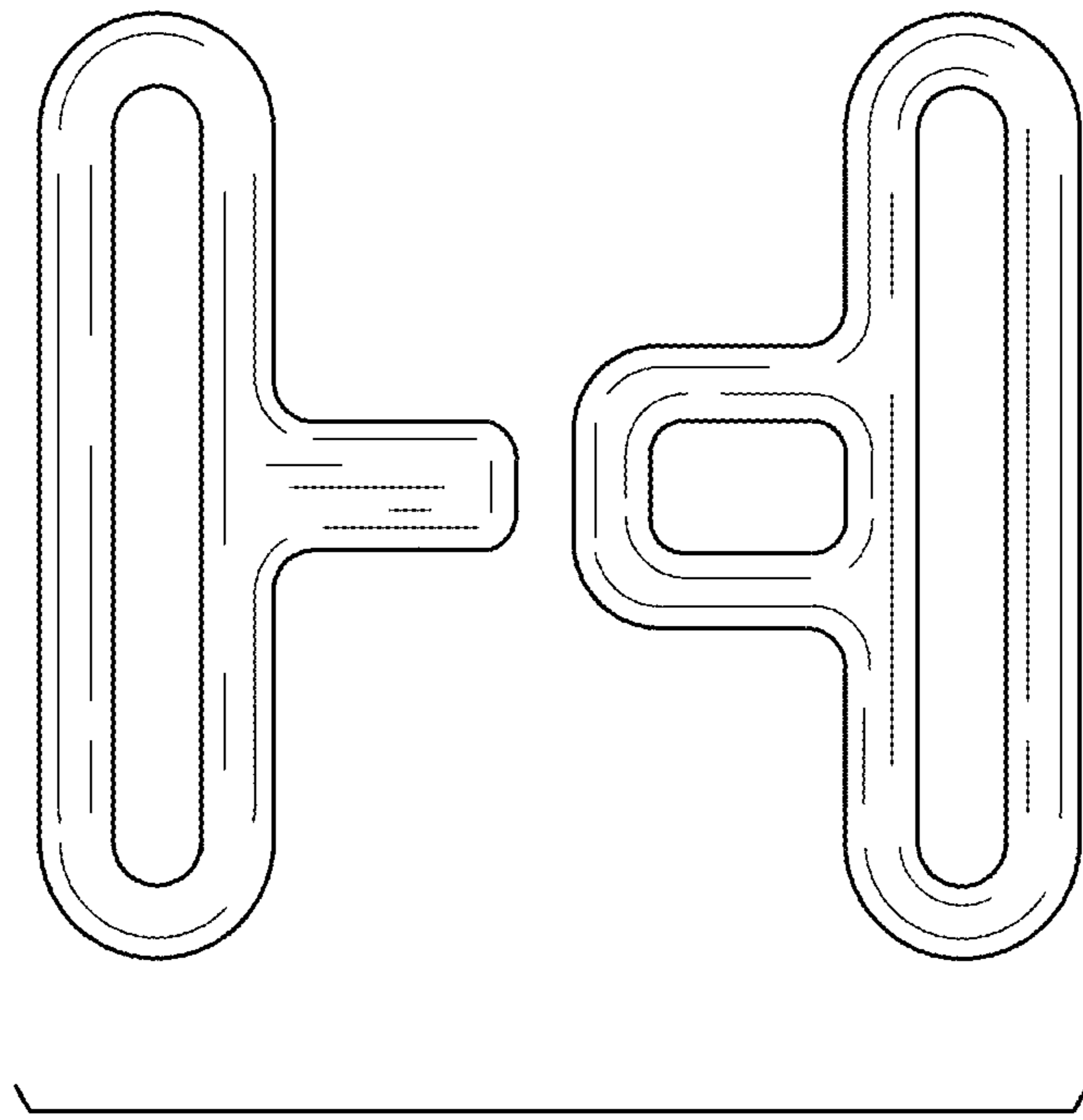


FIG. 8

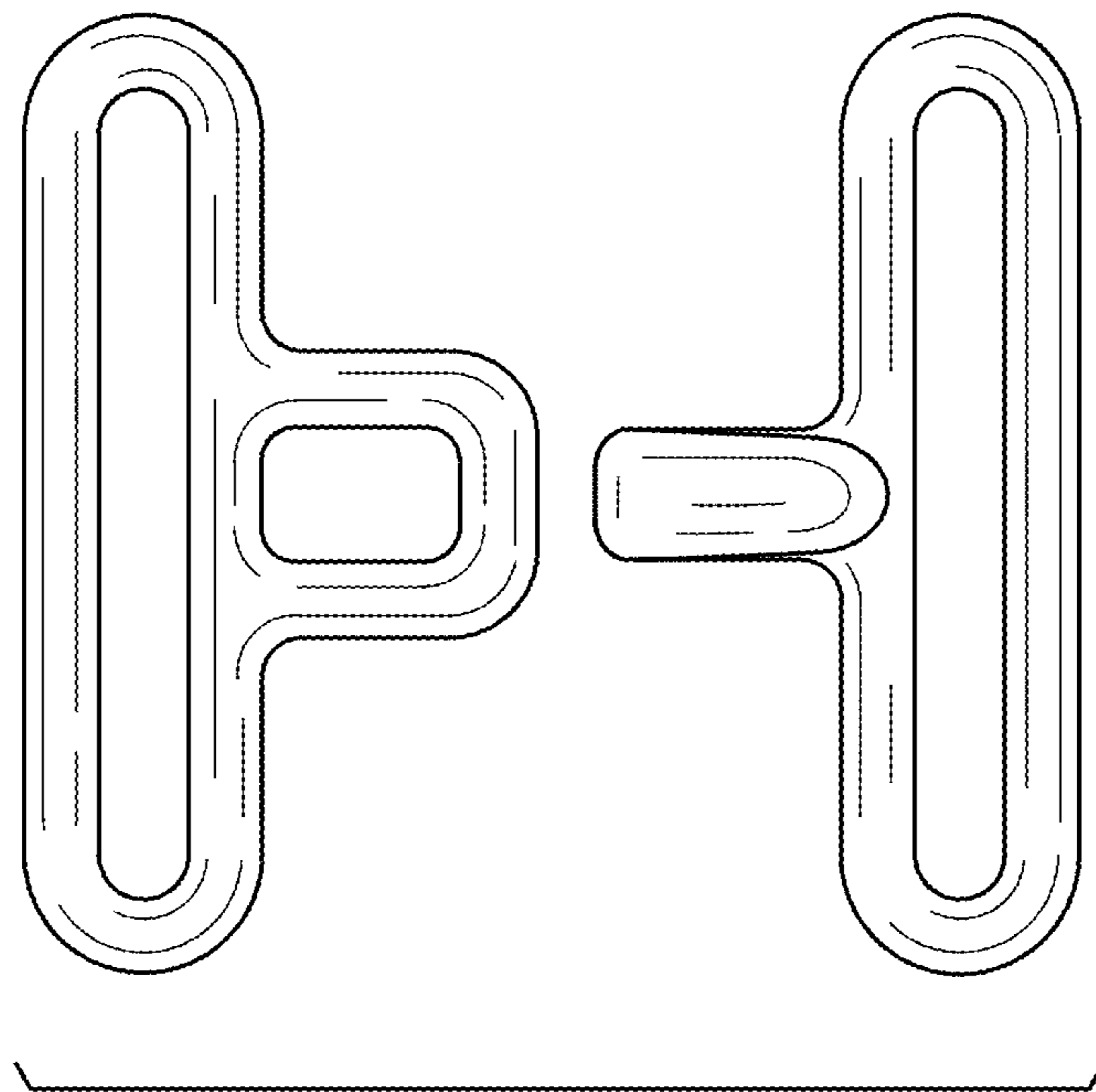


FIG. 9

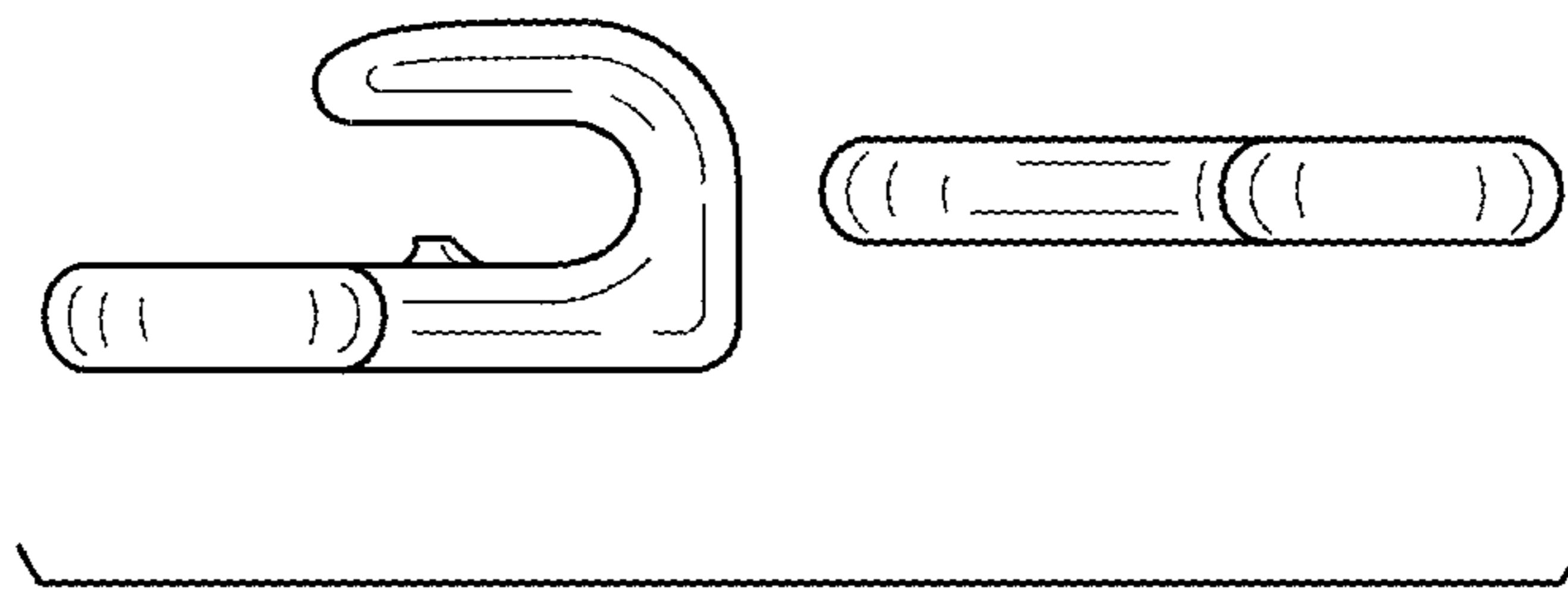


FIG. 10

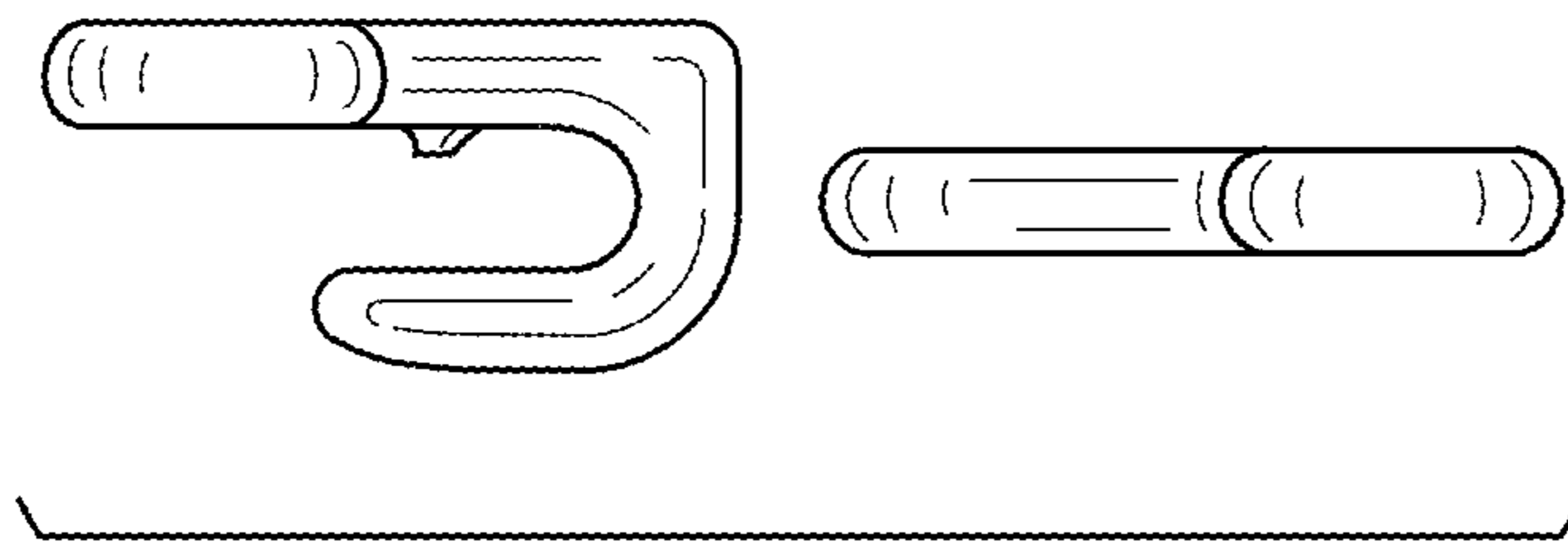


FIG. 11

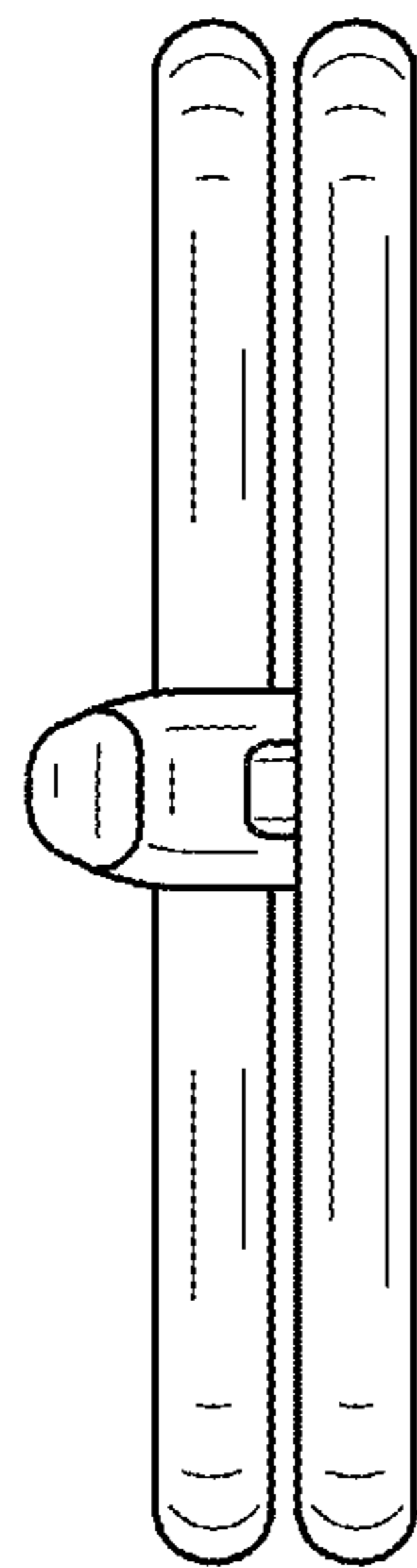


FIG. 12

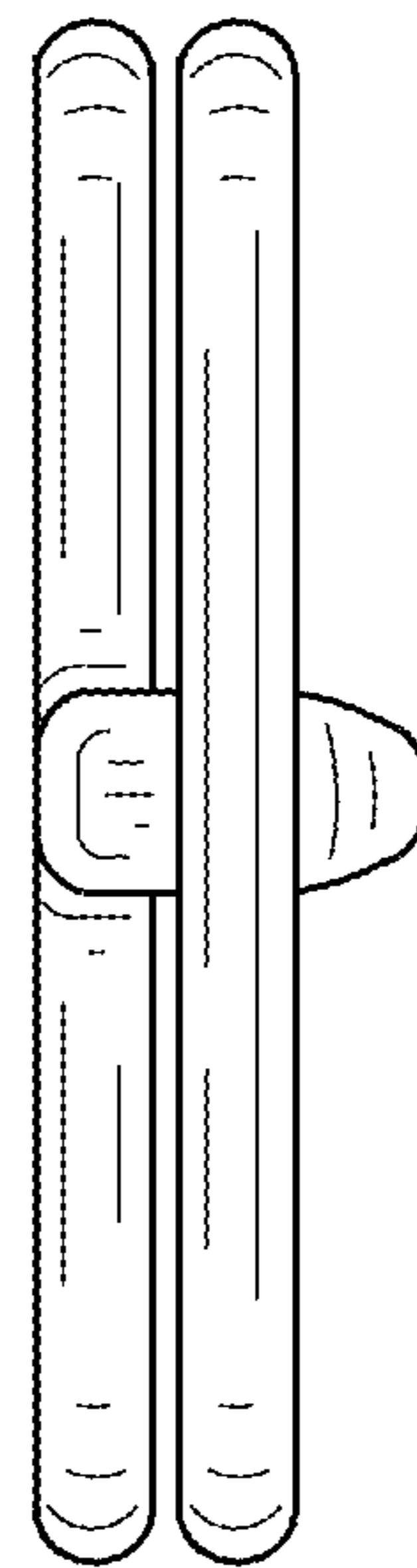


FIG. 13