

US00D737721S

(12) **United States Design Patent**
Janse

(10) **Patent No.:** **US D737,721 S**
(45) **Date of Patent:** **** Sep. 1, 2015**

- (54) **PLANTER**
- (71) Applicant: **RJ Millwork**, West Kelowna (CA)
- (72) Inventor: **Jacobus Abraham Janse**, West Kelowna (CA)
- (73) Assignee: **RJ Millwork**, West Kelowna, B.C. (CA)
- (**) Term: **14 Years**
- (21) Appl. No.: **29/497,813**
- (22) Filed: **Jul. 29, 2014**
- (51) **LOC (10) Cl.** **11-02**
- (52) **U.S. Cl.**
USPC **D11/156**
- (58) **Field of Classification Search**
USPC D3/304; D6/403–405, 675, 683;
D9/425, 428; D11/143–156, 164;
D25/15
CPC A01G 9/00; A01G 9/02; A01G 9/021;
A01G 9/022; A01G 9/024; A01G 9/10;
A01G 9/04; A01G 9/042; A01G 9/14; A01G
9/16; A01G 31/02; B65D 33/02
See application file for complete search history.

- (56) **References Cited**
U.S. PATENT DOCUMENTS
339,694 A * 4/1886 Rine 119/61.4
432,671 A * 7/1890 Kent 119/61.1
D138,660 S * 8/1944 Schulhof D11/164

D271,954 S *	12/1983	Neil	D11/156
D271,955 S *	12/1983	Neil	D11/156
D316,010 S *	4/1991	Guy	D7/553.3
D341,687 S *	11/1993	Park	D34/5
D637,361 S *	5/2011	Jeffries	D30/131
D642,401 S *	8/2011	Lien et al.	D6/403
D643,647 S *	8/2011	Owen et al.	D6/403
D655,220 S *	3/2012	Rossi	D11/145
D677,017 S *	2/2013	Jeffries	D30/131
D685,953 S *	7/2013	Steffanson	D30/131
D703,012 S *	4/2014	Yen	D8/1
D706,548 S *	6/2014	Laudon et al.	D6/403
D716,689 S *	11/2014	Takaoka	D11/155
D722,527 S	2/2015	Rivard et al.	
2014/0165465 A1 *	6/2014	Watson	47/66.1

* cited by examiner

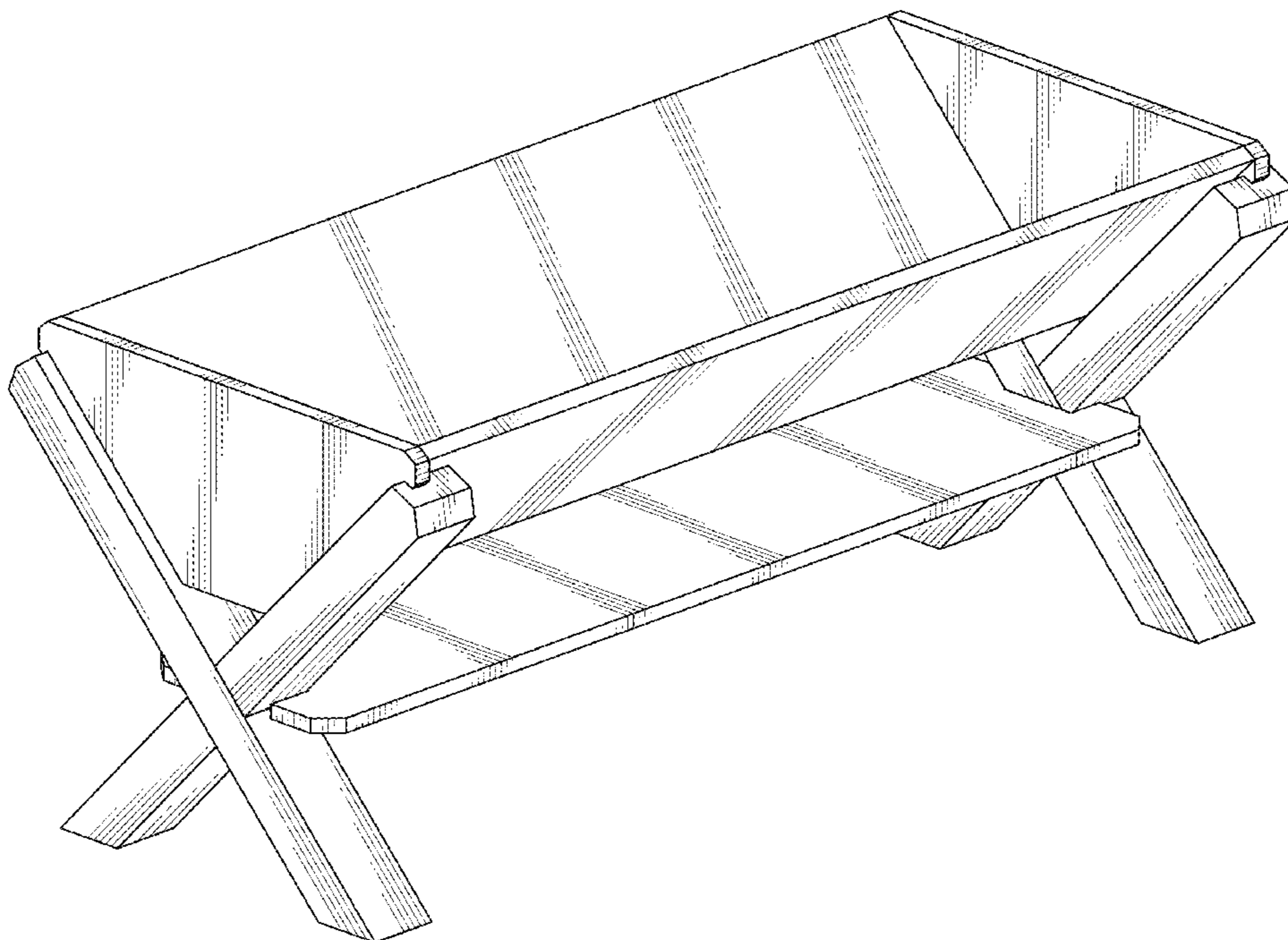
Primary Examiner — Elizabeth Albert
(74) *Attorney, Agent, or Firm* — Stephen C. Beuerle;
Procopio Cory Hargreaves & Savitch LLP

(57) **CLAIM**
The ornamental design for a planter, as shown and described.

DESCRIPTION

FIG. 1 is a perspective view of a planter showing my new design;
FIG. 2 is a front elevational view of the planter, the rear elevational view being a mirror image thereof;
FIG. 3 is a right side elevational view of the planter;
FIG. 4 is a left side elevational view of the planter;
FIG. 5 is a top plan view of the planter; and,
FIG. 6 is a bottom plan view of the planter.

1 Claim, 6 Drawing Sheets



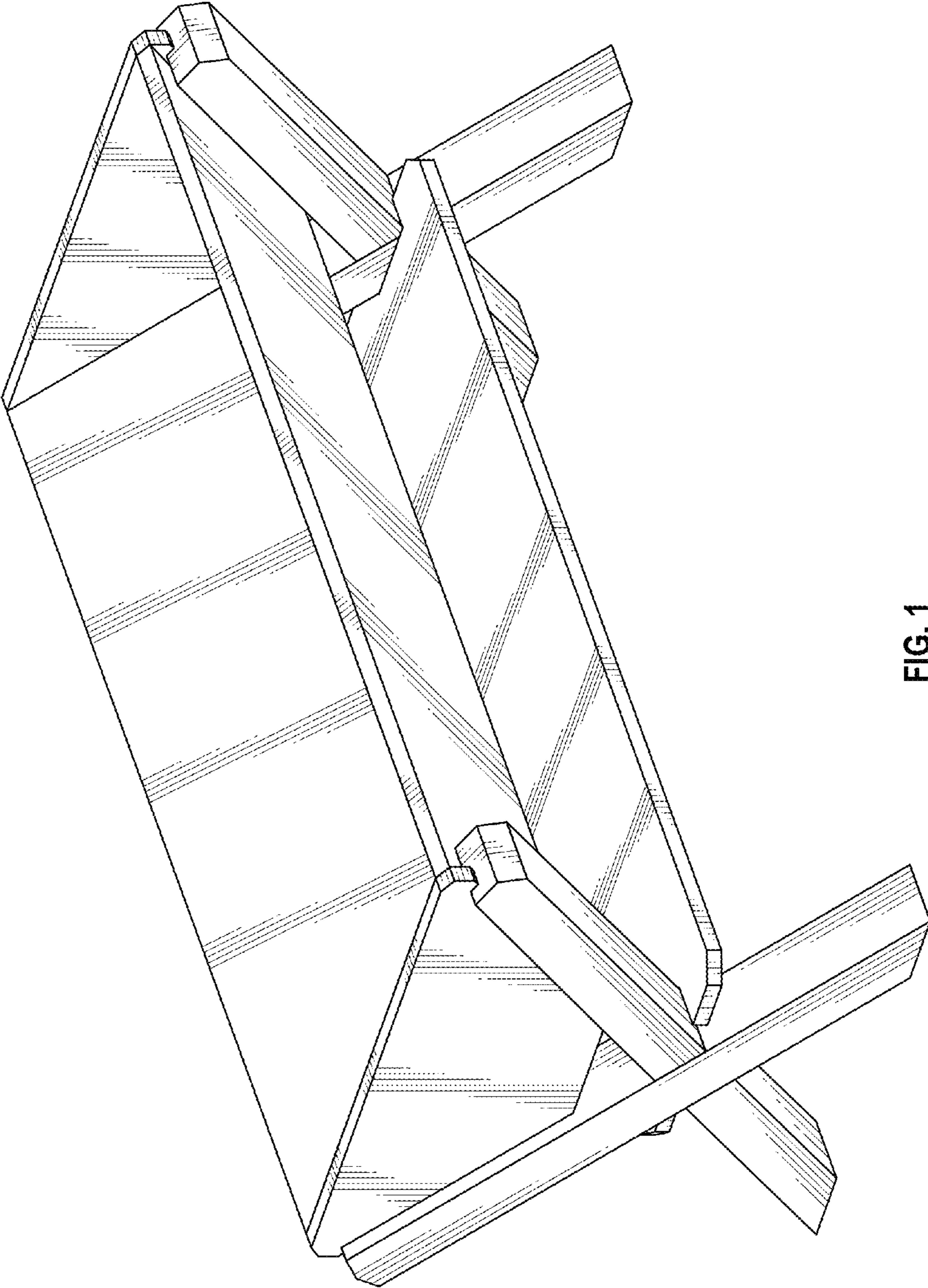


FIG. 1

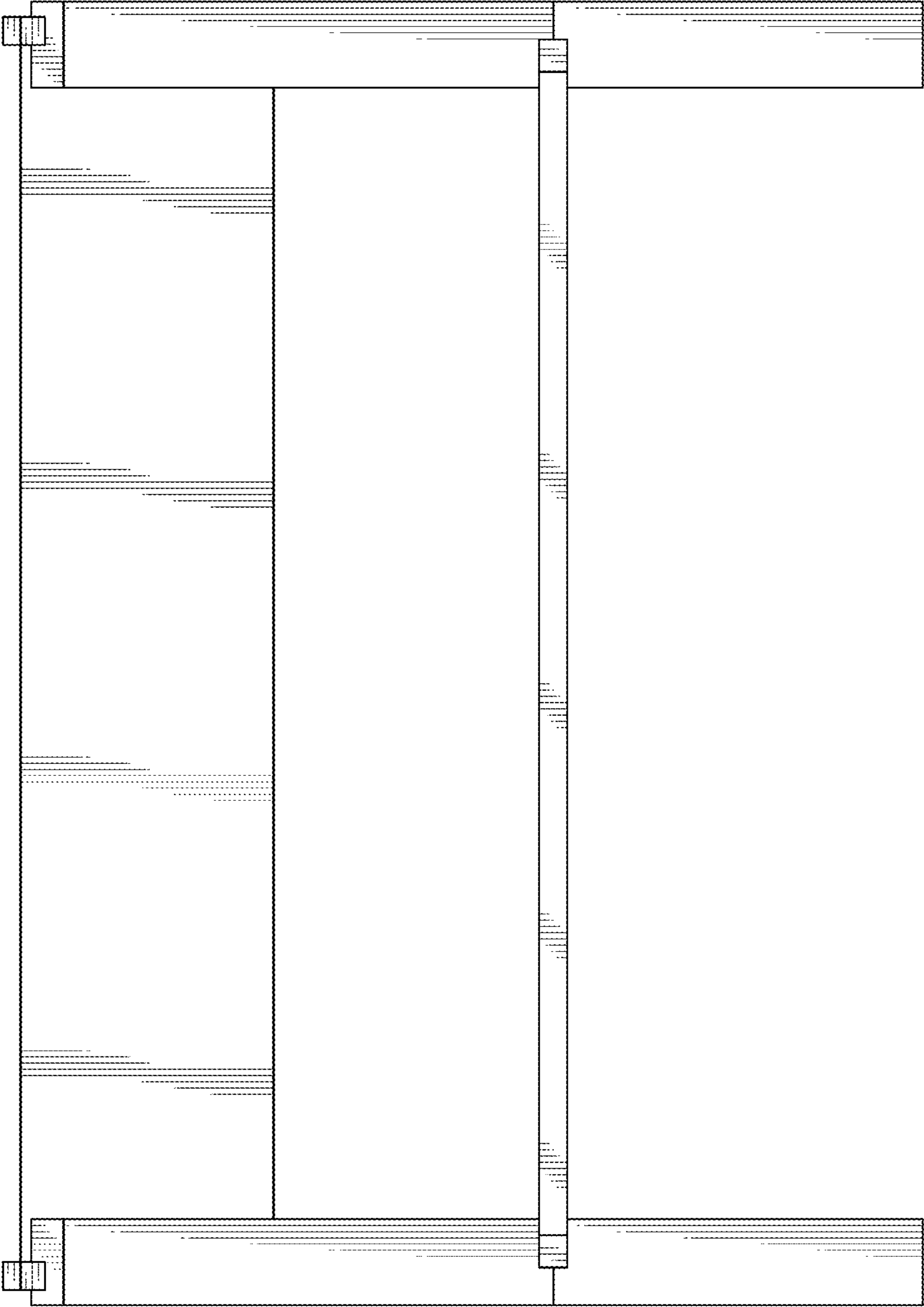


FIG. 2

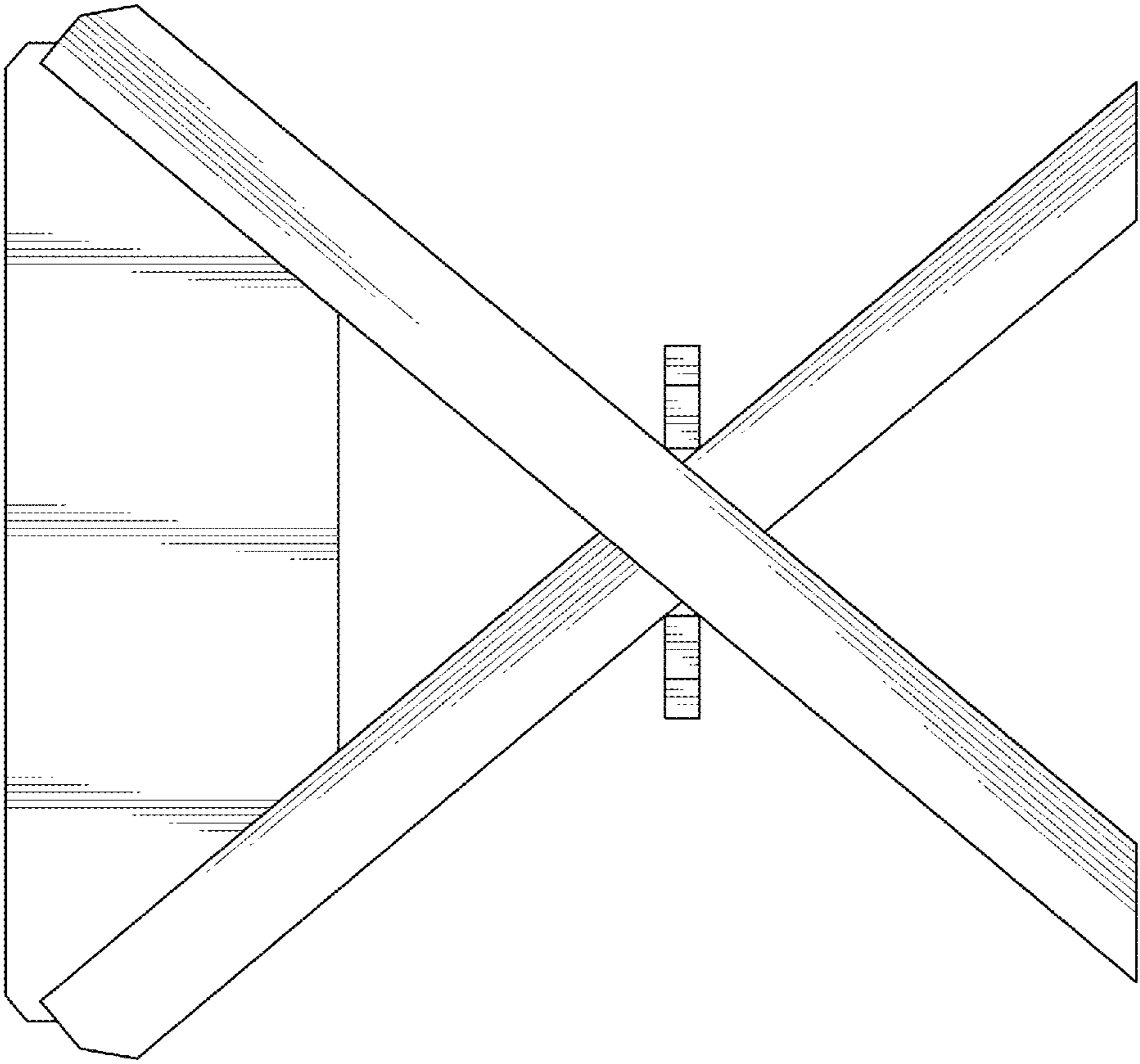


FIG. 3

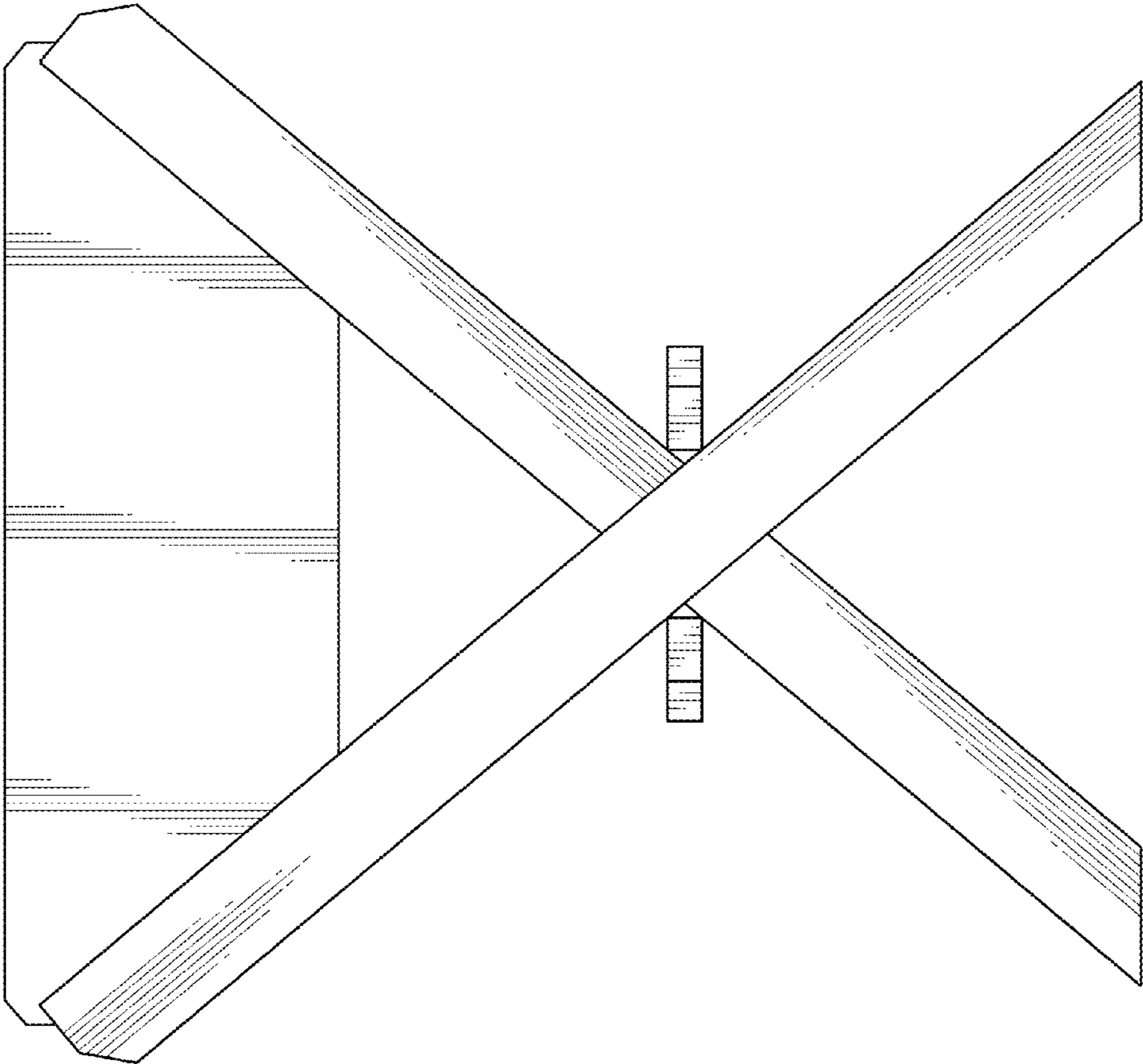


FIG. 4

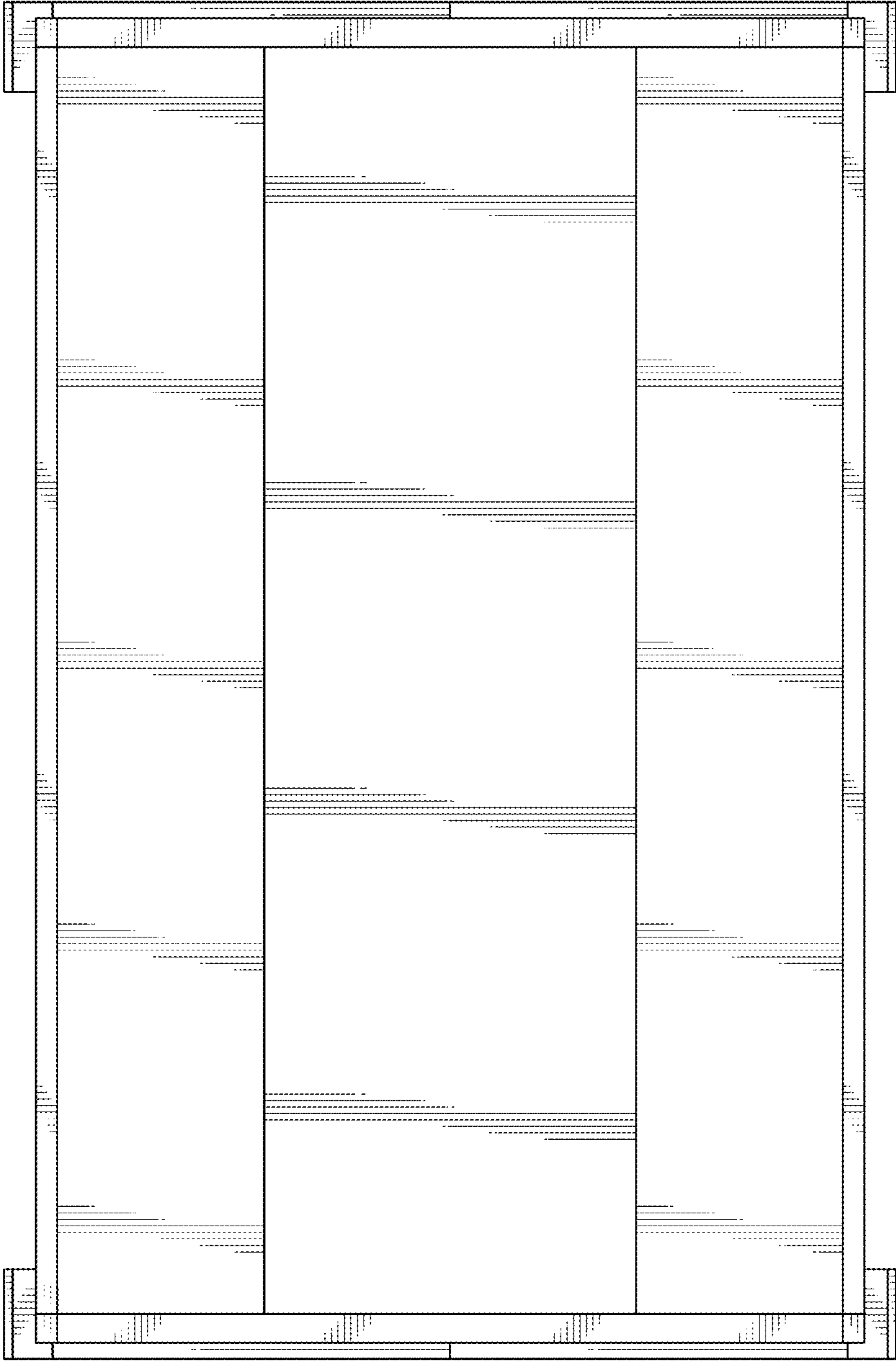


FIG. 5

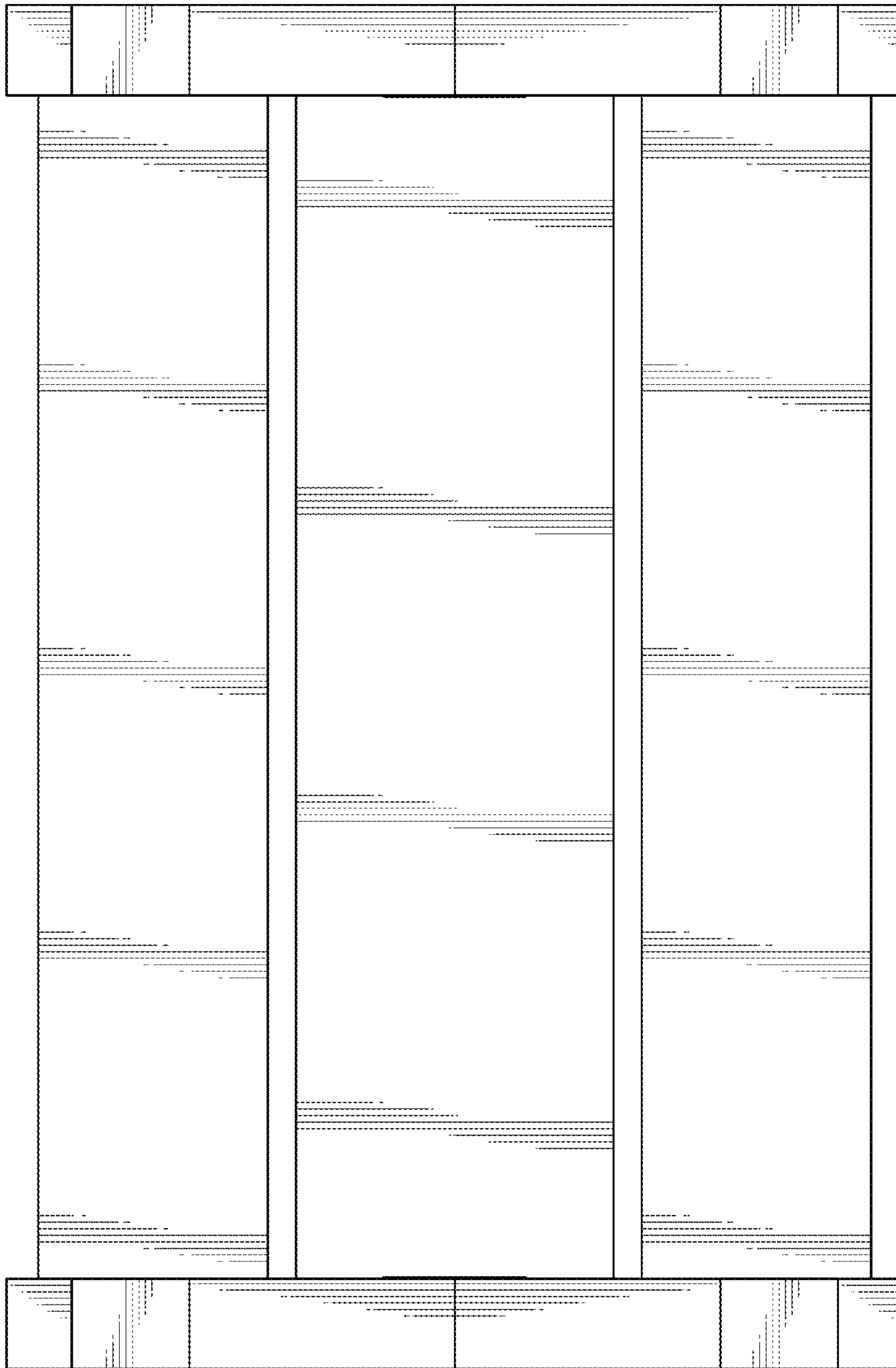


FIG. 6