



US00D737720S

(12) **United States Design Patent**
Beard et al.

(10) **Patent No.:** **US D737,720 S**
(45) **Date of Patent:** **** Sep. 1, 2015**

(54) **JEWELRY CLASP**

(71) Applicants: **Guy Beard**, Jacksonville, FL (US);
James Shrader, Jacksonville, FL (US)

(72) Inventors: **Guy Beard**, Jacksonville, FL (US);
James Shrader, Jacksonville, FL (US)

(**) Term: **14 Years**

(21) Appl. No.: **29/502,556**

(22) Filed: **Sep. 17, 2014**

(51) **LOC (10) Cl.** **11-01**

(52) **U.S. Cl.**

USPC **D11/87**

(58) **Field of Classification Search**

USPC D11/1-2, 7, 40-44, 46-49, 53, 56, 57,
D11/59-61, 63, 65, 79-83, 86-87, 89-90,
D11/91-92, 99, 101, 106, 114-116,
D11/200-201; 63/18-20

CPC A44C 5/02-5/246

See application file for complete search history.

(56) **References Cited**

U.S. PATENT DOCUMENTS

4,170,809 A * 10/1979 Geldwerth et al. 24/616
4,543,692 A * 10/1985 Ode et al. 24/616

D360,848 S * 8/1995 Koven D11/87
D390,496 S * 2/1998 Olsen et al. D11/87
6,112,373 A * 9/2000 Steinhauer et al. 24/68 J
6,202,268 B1 * 3/2001 Goldstein et al. 24/616

* cited by examiner

Primary Examiner — Zenia Bennett

(74) *Attorney, Agent, or Firm* — Thomas C. Saitta

(57) **CLAIM**

The ornamental design for a jewelry clasp, as shown and described.

DESCRIPTION

The invention was not made by an agency of the U.S. Government or under a contract with an agency of the U.S. Government.

FIG. 1 is a perspective view of the jewelry clasp invention, the bracelet shown in dashed lines not forming part of the invention.

FIG. 2 is a rear view of the invention.

FIG. 3 is a front view of the invention.

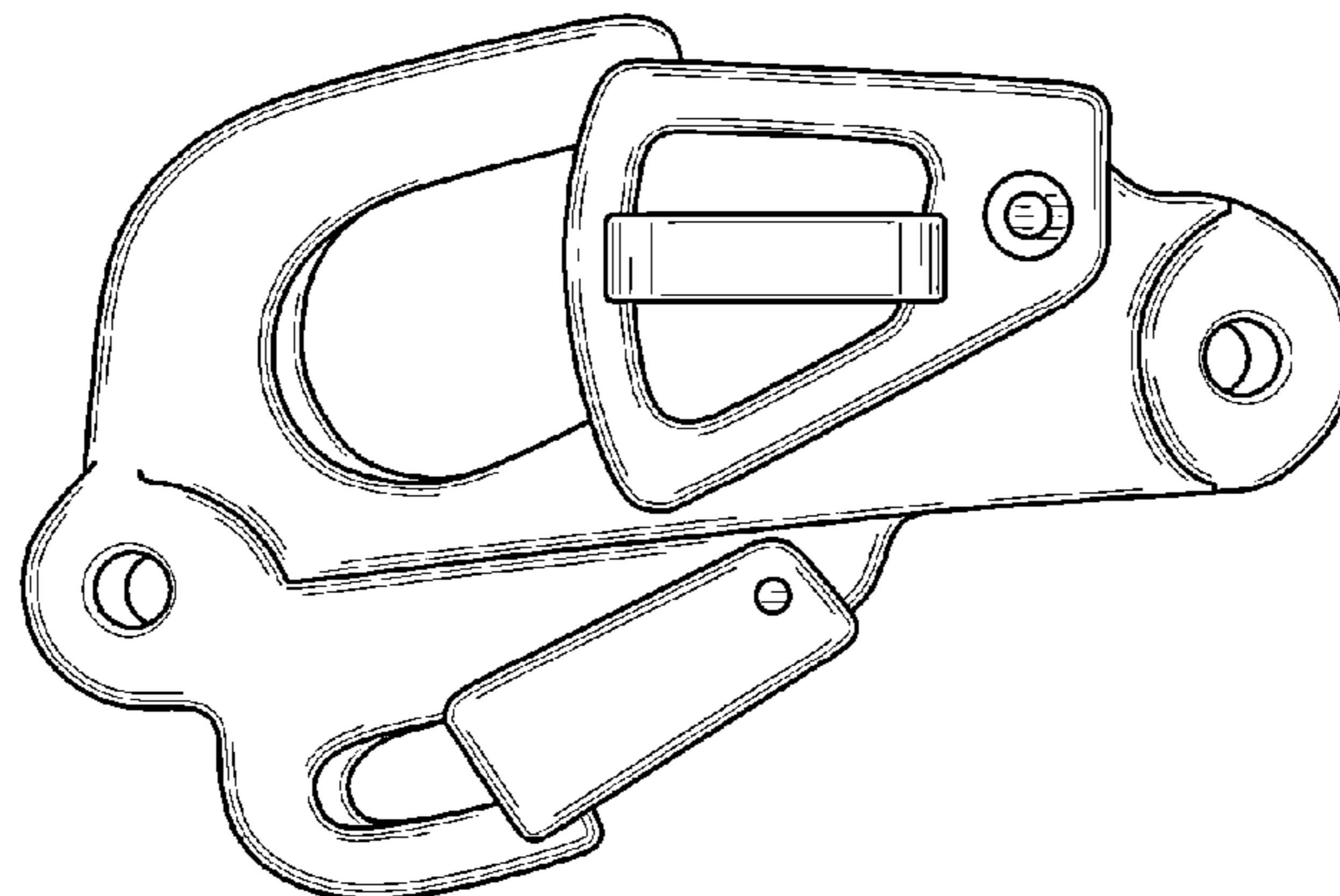
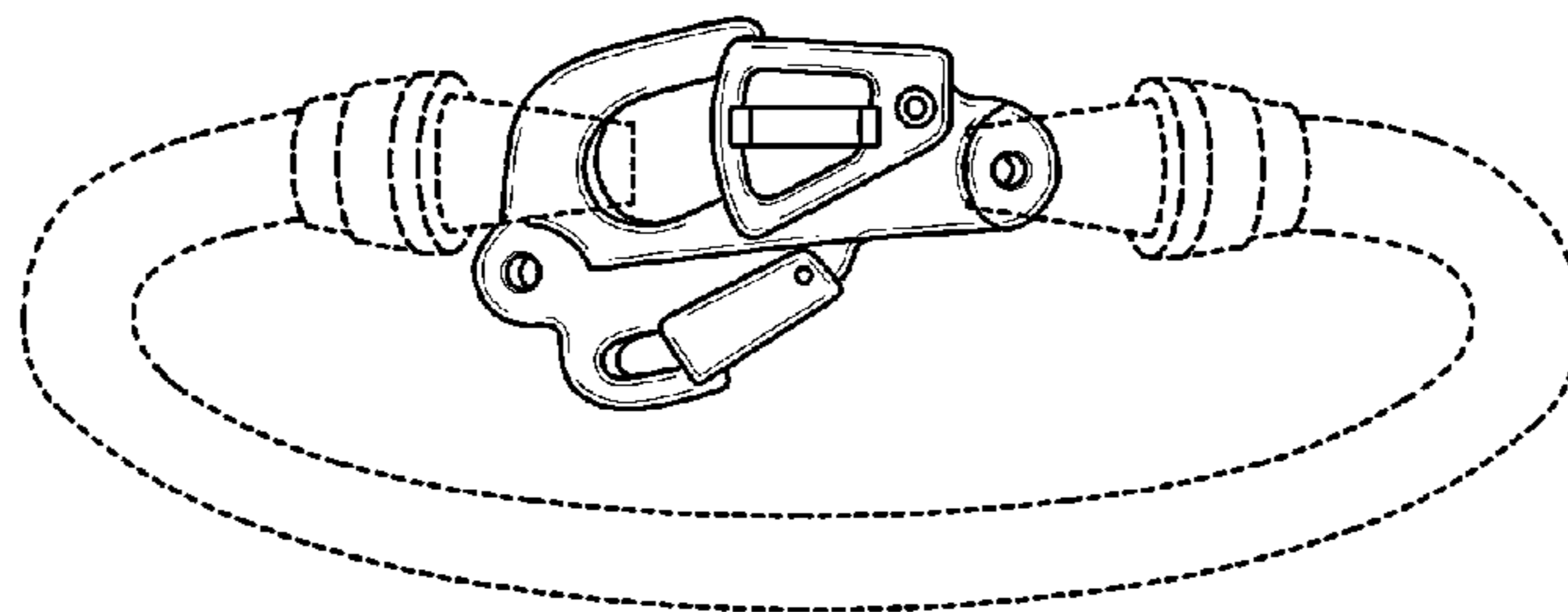
FIG. 4 is a left side view of the invention.

FIG. 5 is a right side view of the invention.

FIG. 6 is a top view of the invention; and,

FIG. 7 is a bottom view of the invention.

1 Claim, 4 Drawing Sheets



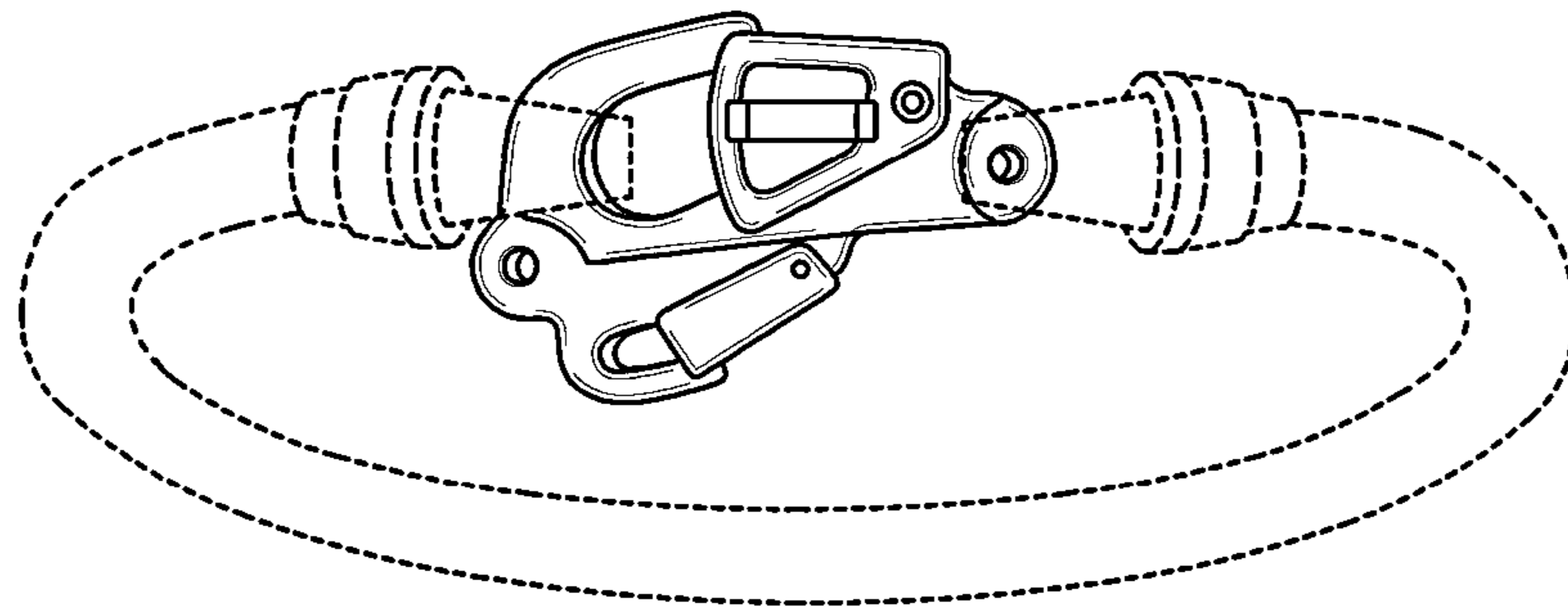


Fig. 1

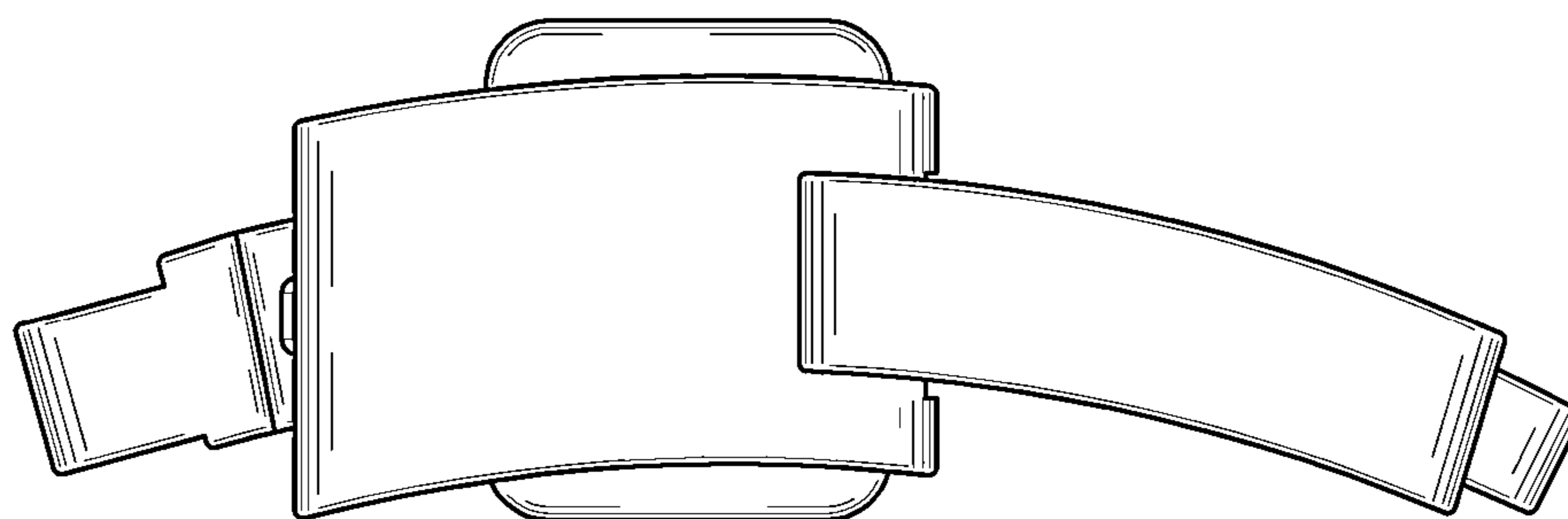


Fig. 2

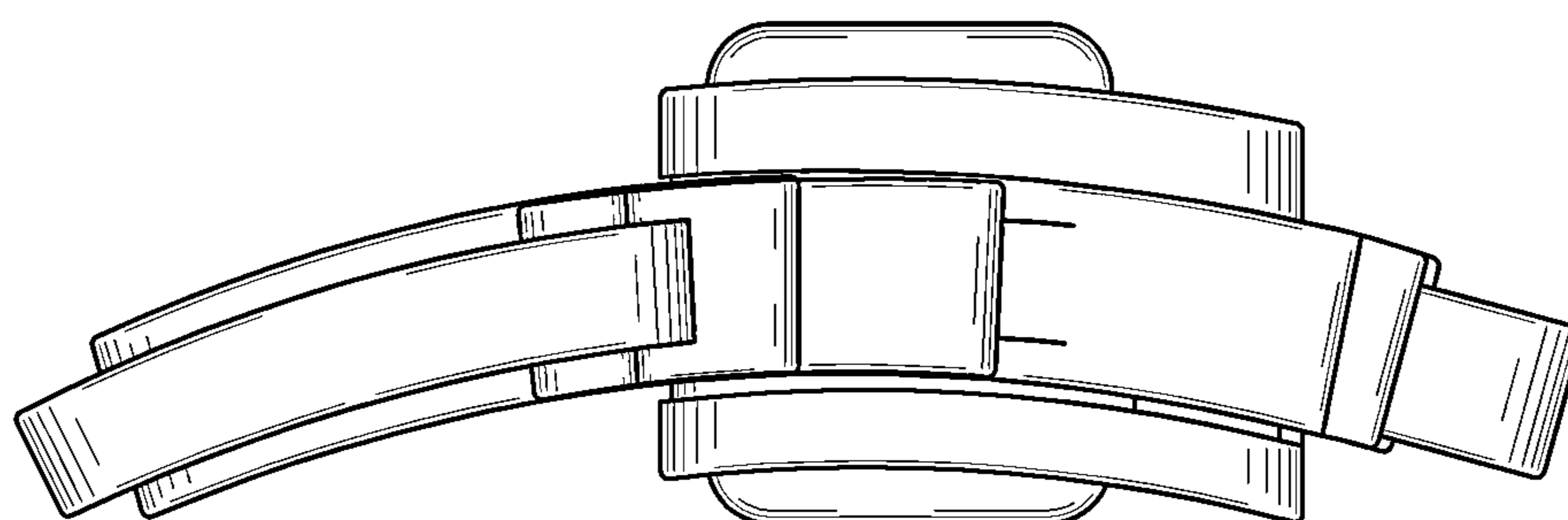


Fig. 3

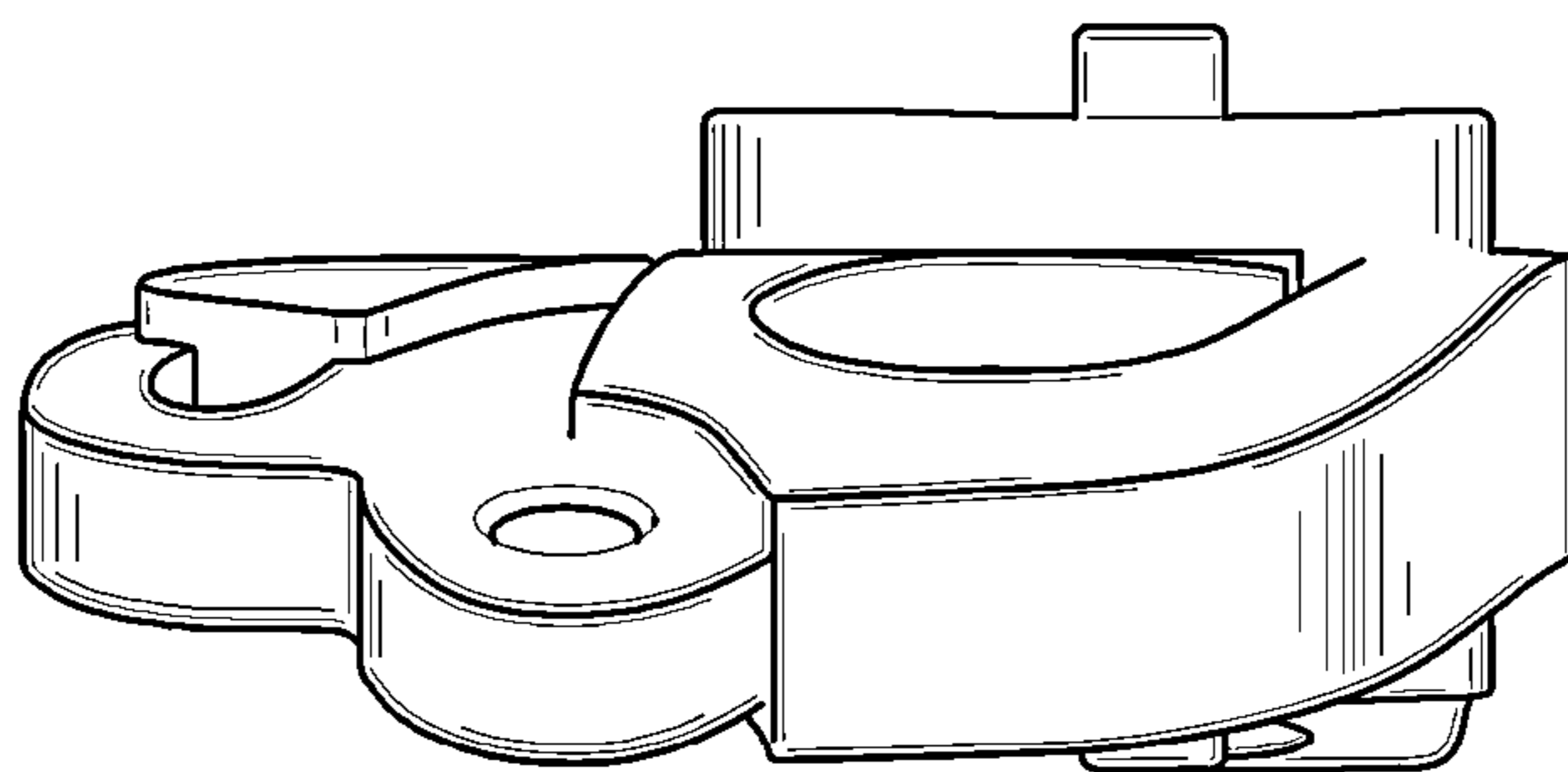


Fig. 4

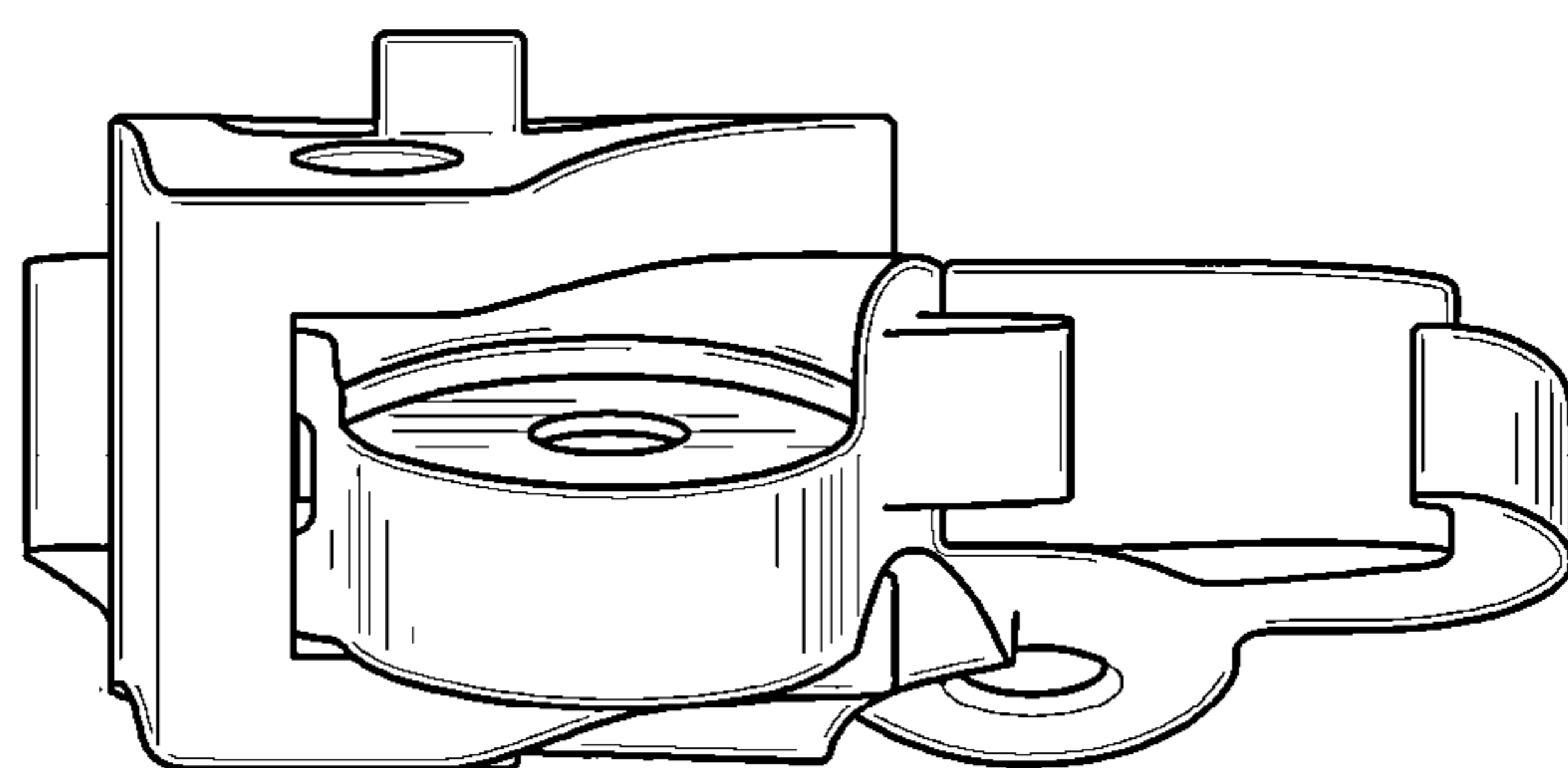


Fig. 5

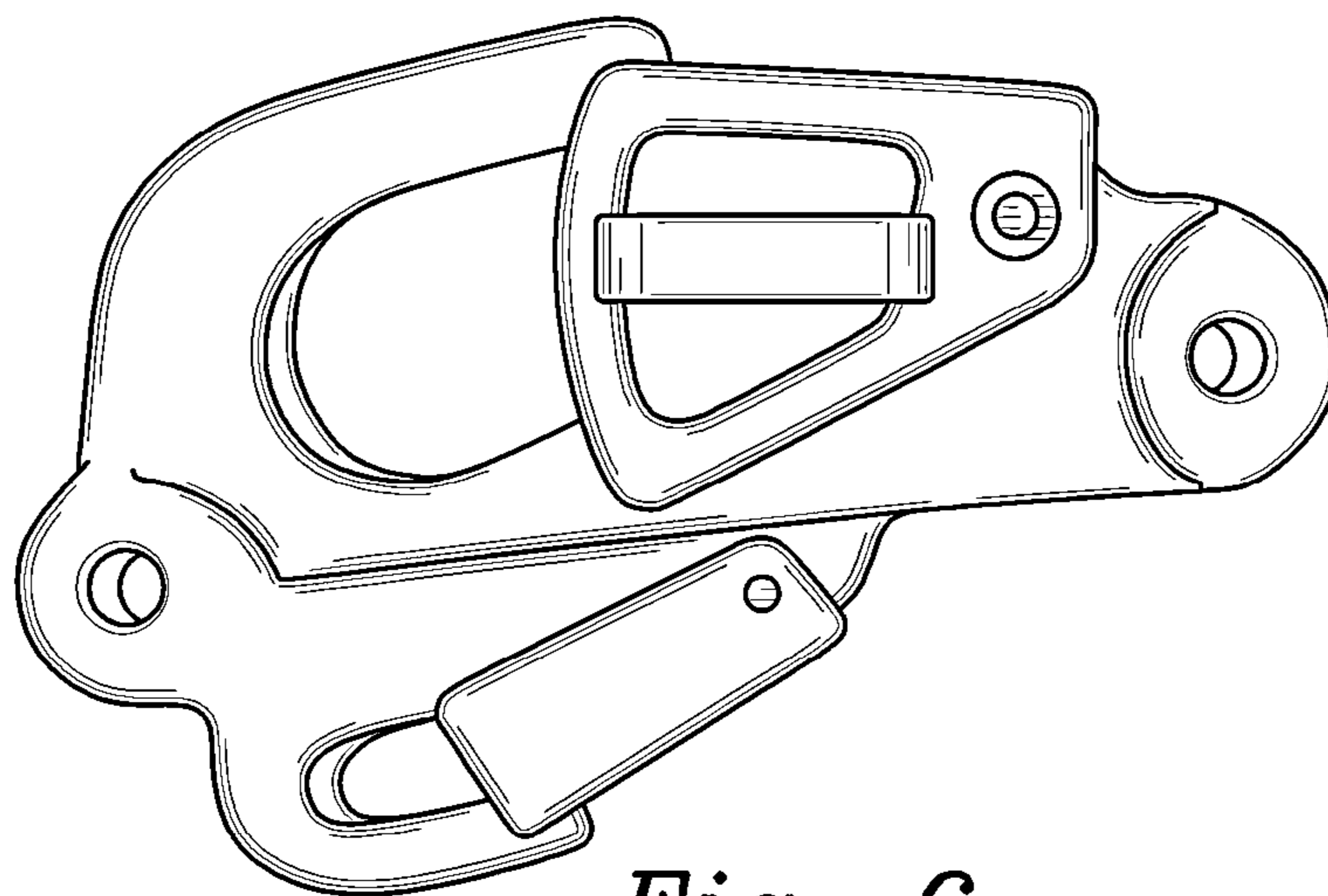


Fig. 6

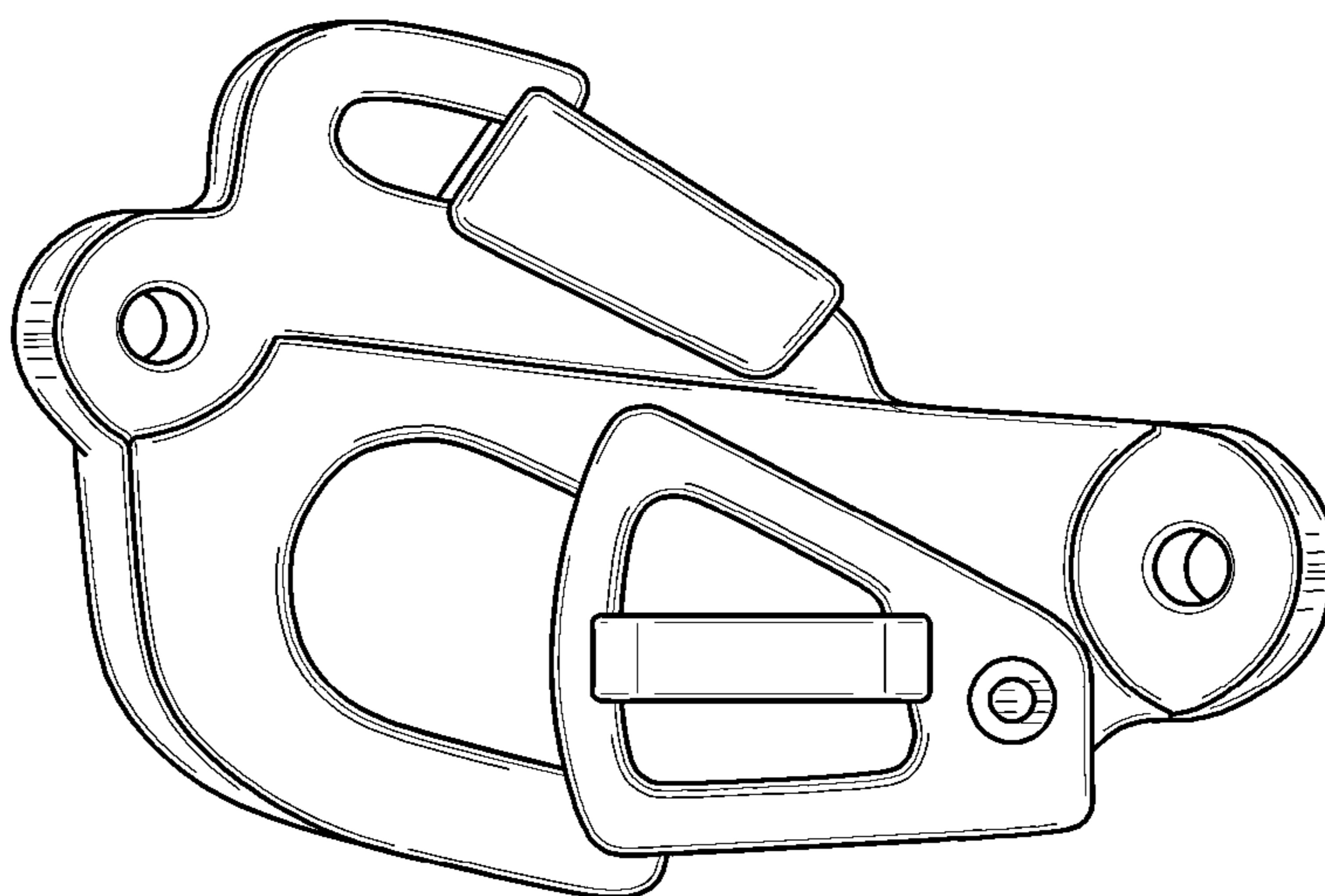


Fig. 7