



US00D737719S

(12) **United States Design Patent**
Gittens et al.

(10) **Patent No.:** **US D737,719 S**
(45) **Date of Patent:** **** Sep. 1, 2015**

(54) **ACCESSORY CINCHING DEVICE**
(71) Applicants: **Tristan S. Gittens**, Palm Springs, CA
(US); **John T. Held**, Carnation, WA (US)
(72) Inventors: **Tristan S. Gittens**, Palm Springs, CA
(US); **John T. Held**, Carnation, WA (US)
(**) Term: **14 Years**
(21) Appl. No.: **29/487,545**
(22) Filed: **Apr. 9, 2014**
(51) **LOC (10) Cl.** **11-01**
(52) **U.S. Cl.**
USPC **D11/87**
(58) **Field of Classification Search**
USPC D11/1-2, 7, 40-44, 46-49, 53, 56, 57,
D11/59-61, 63, 65, 79-83, 86-87, 89-90,
D11/91-92, 99, 101, 106, 114-116,
D11/200-201; 63/18-20
CPC A44C 5/18; A44C 5/185; A44C 5/20;
A44C 5/2004; A44C 5/2009; A44C 5/2014;
A44C 5/2013; A44C 5/2028; A44C 5/2033;
A44C 5/2038; A44C 5/2042; A44C 5/2047;
A44C 5/2052; A44C 5/2057; A44C 5/2061;
A44C 5/2066
See application file for complete search history.

(56) **References Cited**
U.S. PATENT DOCUMENTS
D238,090 S * 12/1975 Poulin D11/81
D301,314 S * 5/1989 Shapiro D11/75
D319,201 S * 8/1991 Aoki D11/220
D363,683 S * 10/1995 Spurgeon et al. D11/88
D383,702 S * 9/1997 MacDonald D11/79
D435,961 S * 1/2001 Weinstock D3/215
D726,576 S * 4/2015 Jain D11/86

* cited by examiner
Primary Examiner — Zenia Bennett

(57) **CLAIM**
The ornamental design for accessory cinching device, as shown and described.

DESCRIPTION
FIG. 1 is a top perspective view of the accessory cinching device for footwear;
FIG. 2 is a bottom perspective view thereof;
FIG. 3 is a top plan view thereof;
FIG. 4 is a front elevation view thereof, the rear view and the left and right side views being the same; and,
FIG. 5 is a bottom plan view thereof.

1 Claim, 1 Drawing Sheet

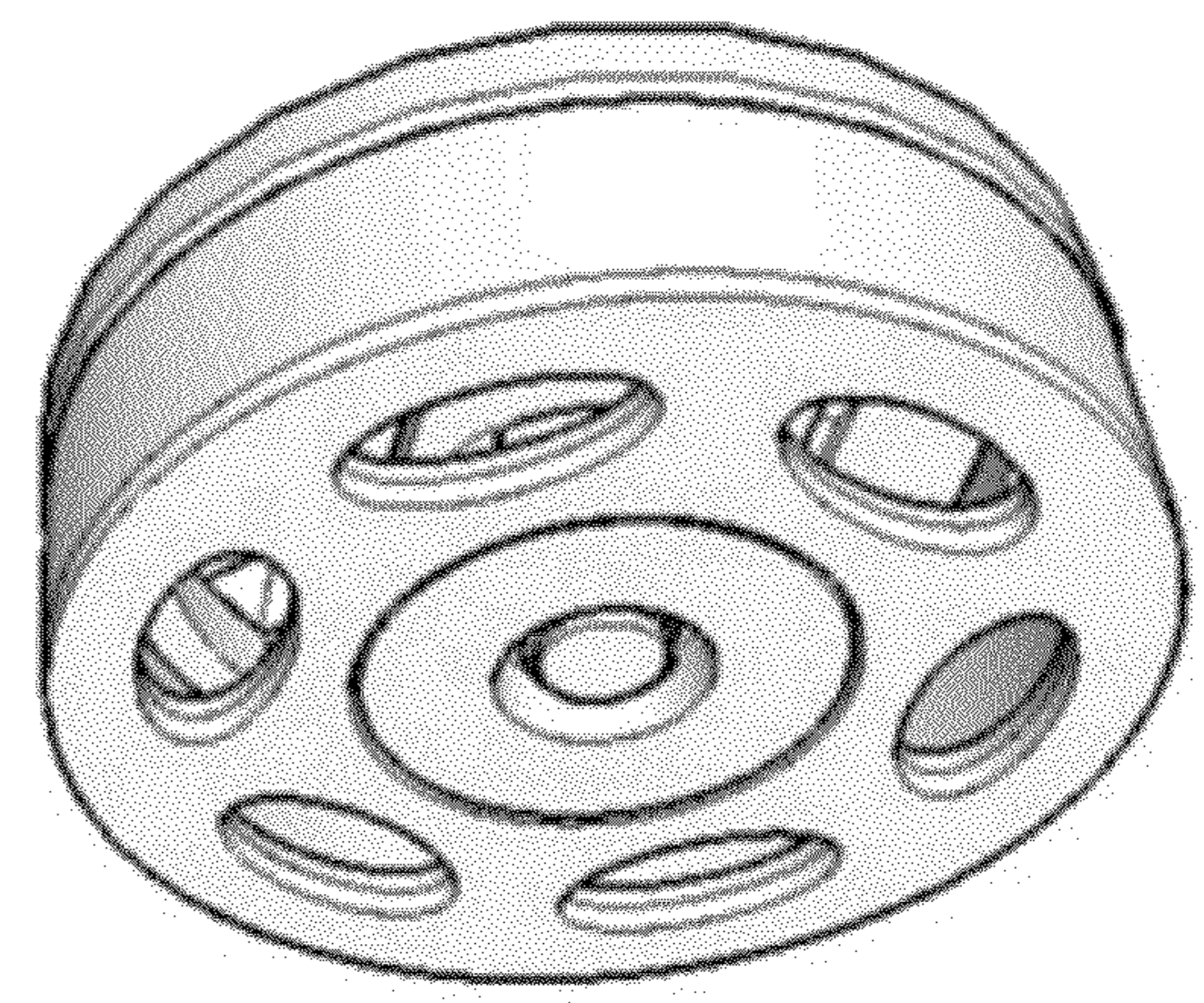
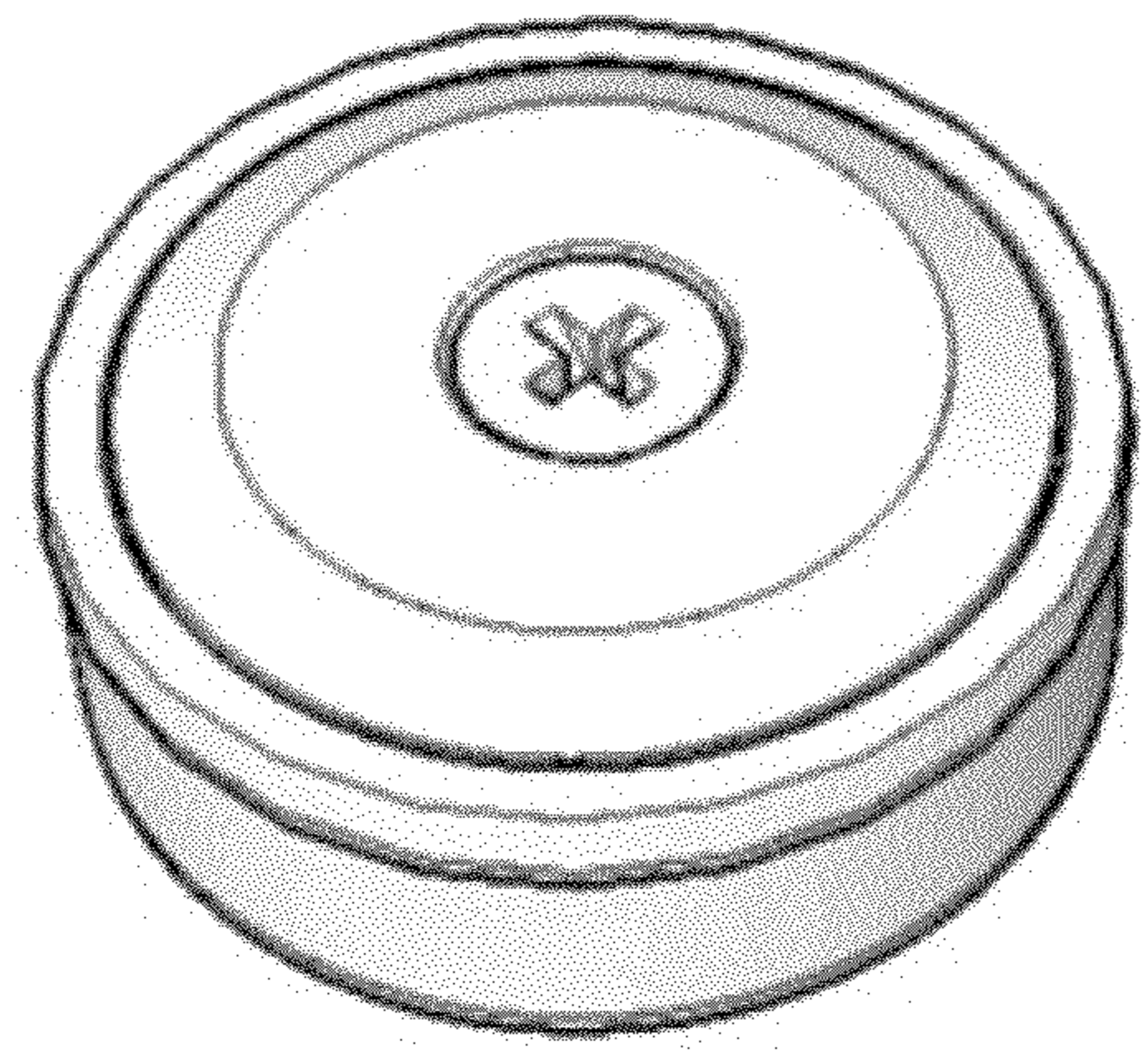


FIG. 1

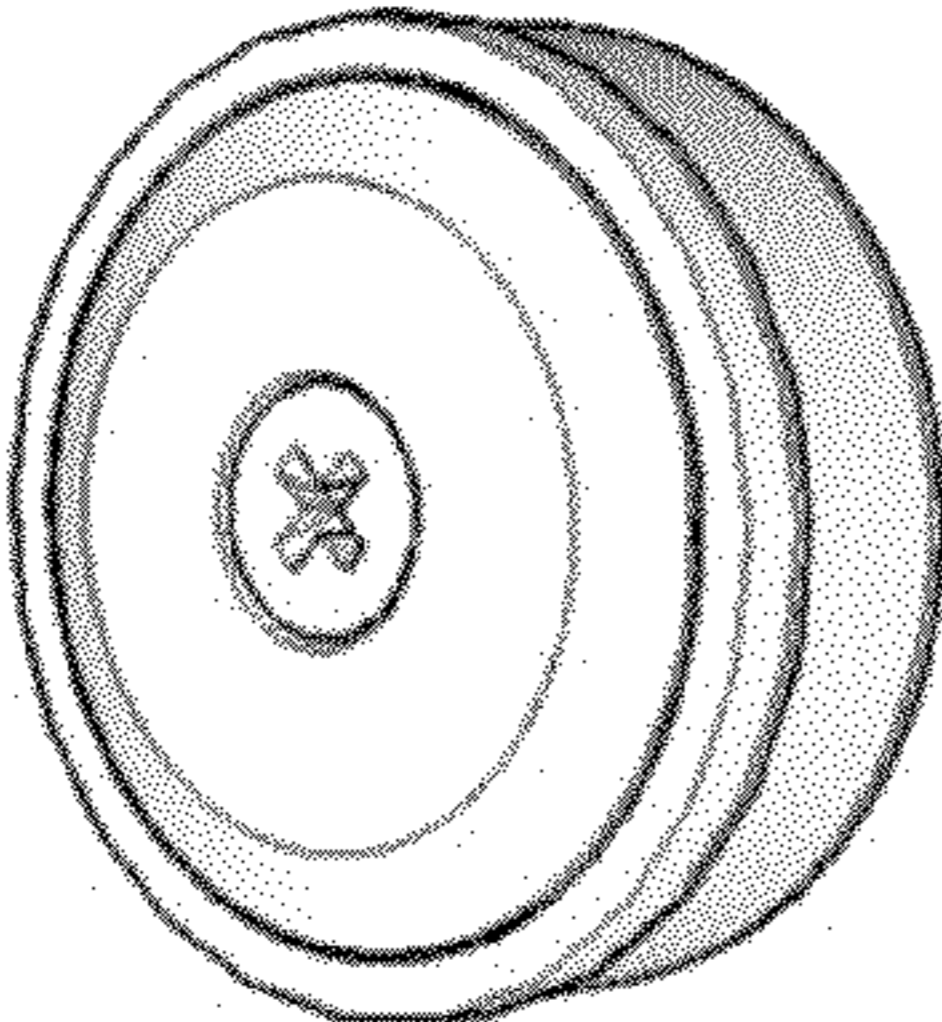


FIG. 2

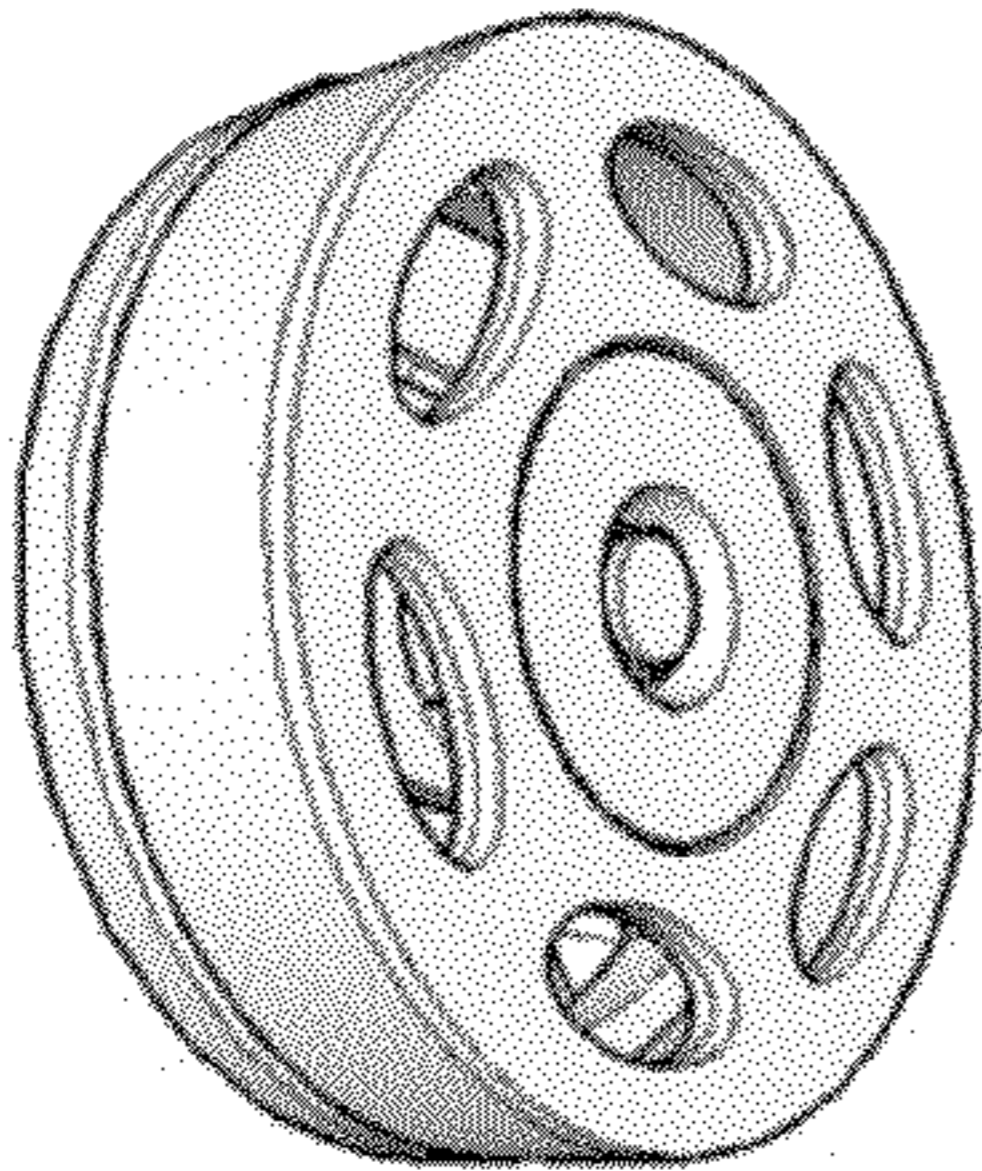


FIG. 3

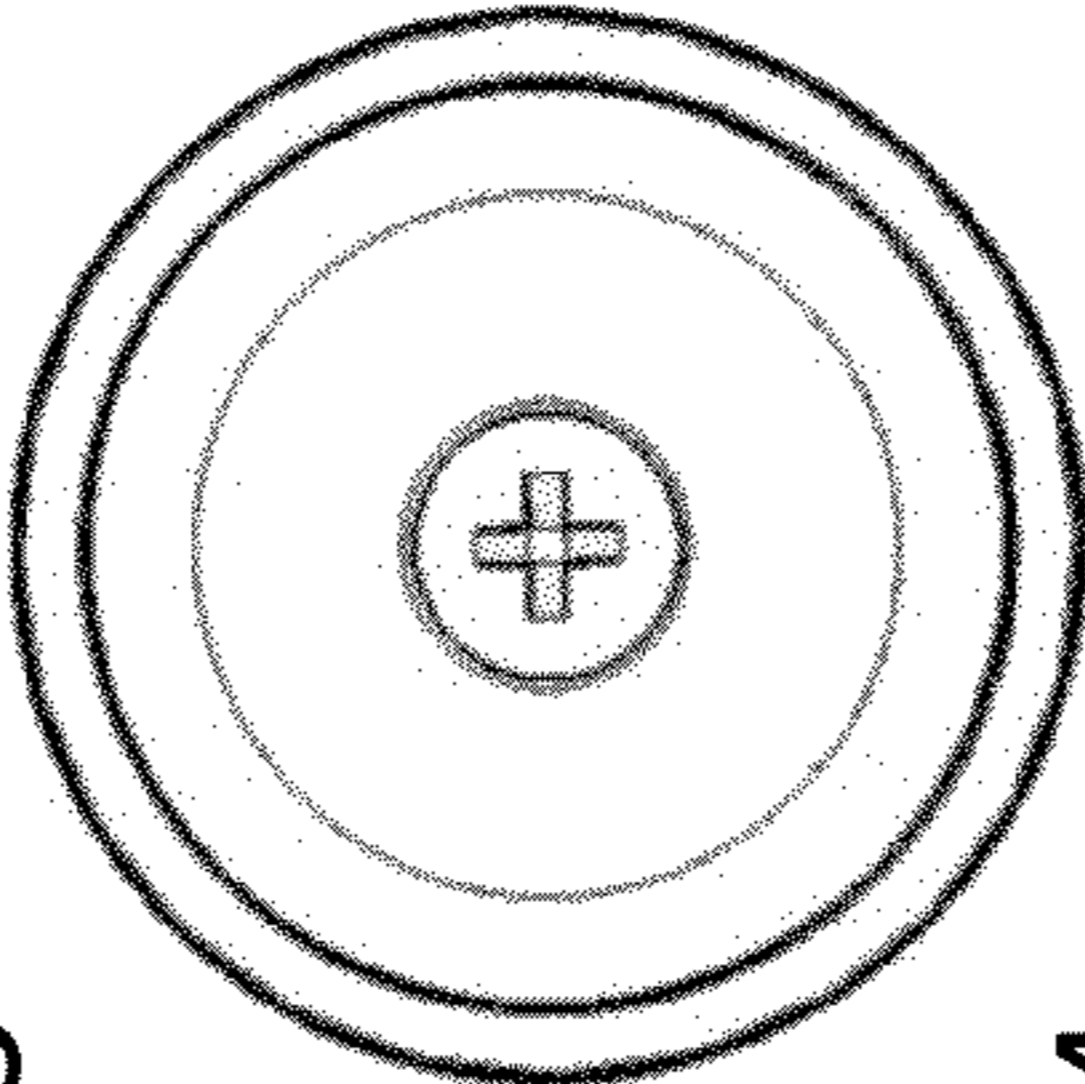


FIG. 4

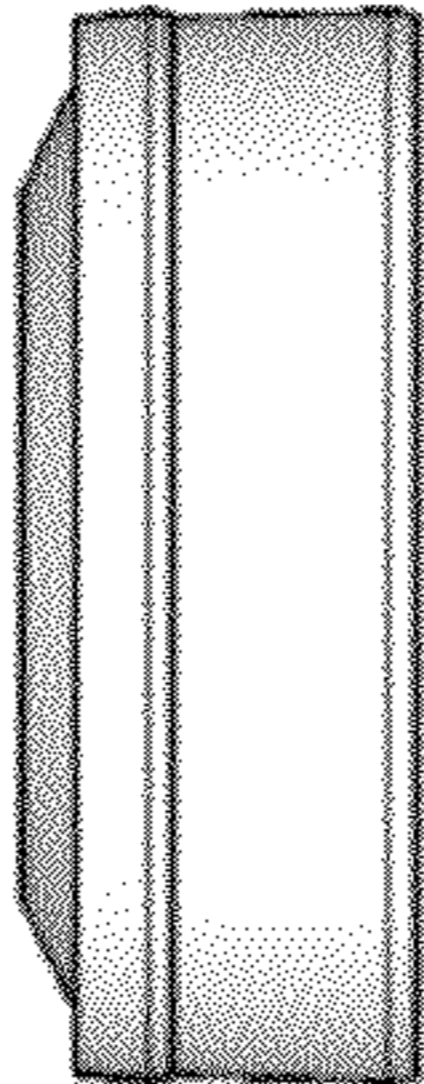


FIG. 5

