



US00D737718S

(12) **United States Design Patent**
Oh

(10) **Patent No.:** **US D737,718 S**

(45) **Date of Patent:** **** Sep. 1, 2015**

(54) **WATCH CLASP**

(71) Applicant: **Knottology, LLC**, Kalamazoo, MI (US)

(72) Inventor: **Hyeon Jin Oh**, Kalamazoo, MI (US)

(**) Term: **14 Years**

(21) Appl. No.: **29/482,664**

(22) Filed: **Feb. 20, 2014**

Related U.S. Application Data

(63) Continuation-in-part of application No. PCT/US2013/040366, filed on May 9, 2013.

(51) **LOC (10) Cl.** **11-01**

(52) **U.S. Cl.**
USPC **D11/87**

(58) **Field of Classification Search**
USPC D11/1-2, 7, 40-44, 46-49, 53, 56, 57,
D11/59-61, 63, 65, 79-83, 86-87, 89-90,
D11/91-92, 99, 101, 106, 114-116,
D11/200-201; 63/18-20

CPC A44C 5/02
See application file for complete search history.

(56) **References Cited**

U.S. PATENT DOCUMENTS

3,947,932	A *	4/1976	Flynn	24/616
D264,828	S *	6/1982	Gray	D11/87
4,543,692	A *	10/1985	Ode et al.	24/616
4,881,305	A *	11/1989	Rivera	24/616
5,231,740	A *	8/1993	Mohebkhosravi	24/616
D360,848	S *	8/1995	Koven	D11/87
D373,325	S *	9/1996	Koven	D11/87
D378,069	S *	2/1997	Koven	D11/87
5,890,497	A *	4/1999	Tsai	132/273
5,991,985	A *	11/1999	Galbreath	24/625
6,112,373	A *	9/2000	Steinhauer et al.	24/68 J
D482,635	S *	11/2003	Tejima	D11/87

* cited by examiner

Primary Examiner — Zenia Bennett

(74) *Attorney, Agent, or Firm* — Conley Rose, P.C.

(57) **CLAIM**

I claim the ornamental designs for a watch clasp, as shown and described.

DESCRIPTION

FIG. 1 is a perspective view of a watch clasp in an open position;

FIG. 2 is a perspective view of the watch clasp in a closed position;

FIG. 3 is a top plan view of the watch clasp in the open position of FIG. 1;

FIG. 4 is a top plan view of the watch clasp in the closed position of FIG. 2;

FIG. 5 is a bottom plan view of the watch clasp in the open position of FIG. 1;

FIG. 6 is a bottom plan view of the watch clasp in the closed position of FIG. 2;

FIG. 7 is a right side elevation view of the watch clasp in the open position of FIG. 1;

FIG. 8 is a right side elevation view of the watch clasp in the closed position of FIG. 2;

FIG. 9 is a left side elevation view of the watch clasp in the open position of FIG. 1;

FIG. 10 is a left side elevation view of the watch clasp in the closed position of FIG. 2;

FIG. 11 is a front elevation view of the watch clasp in an open position of FIG. 1;

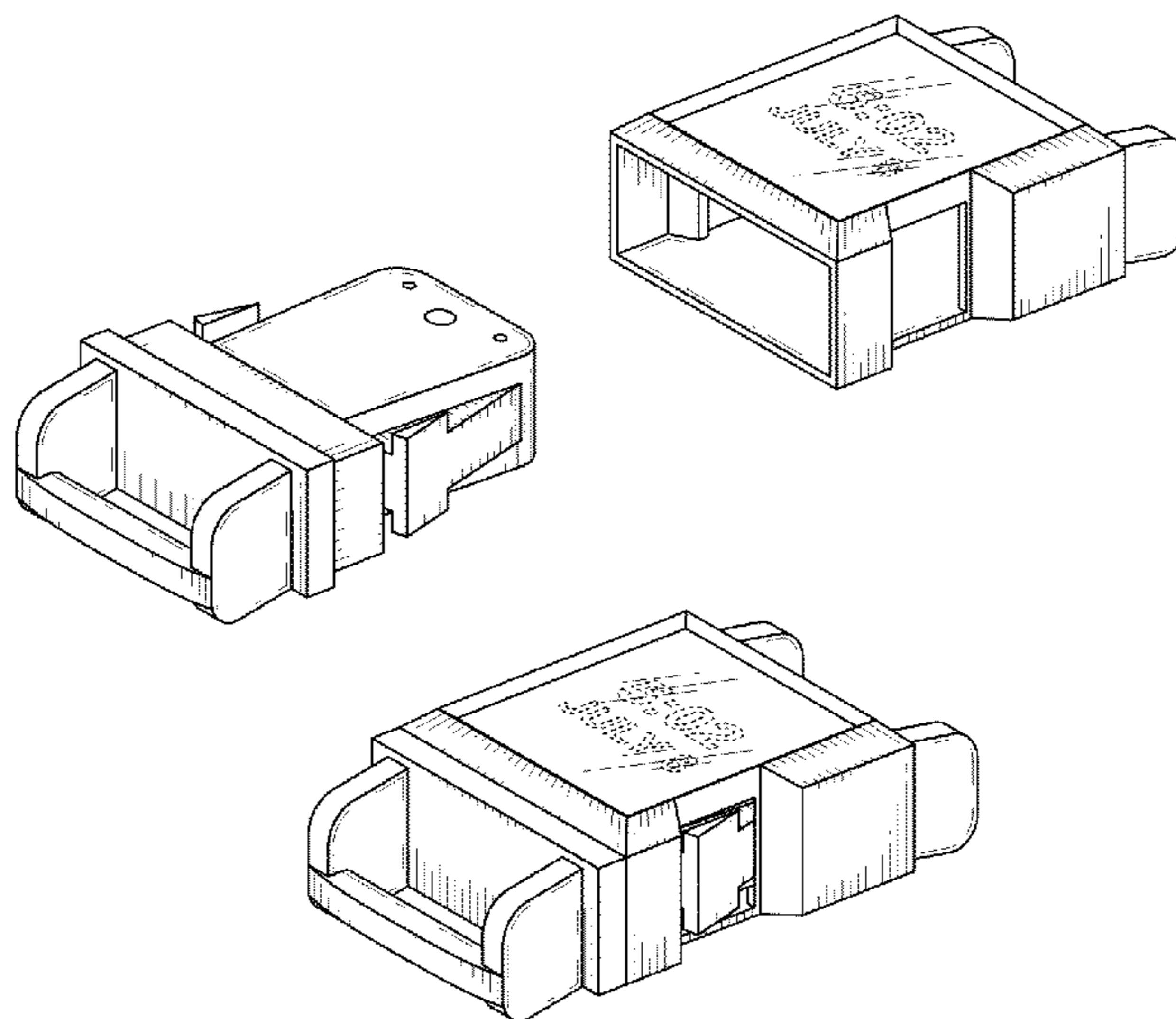
FIG. 12 is a front elevation view of the watch clasp in the closed position of FIG. 2;

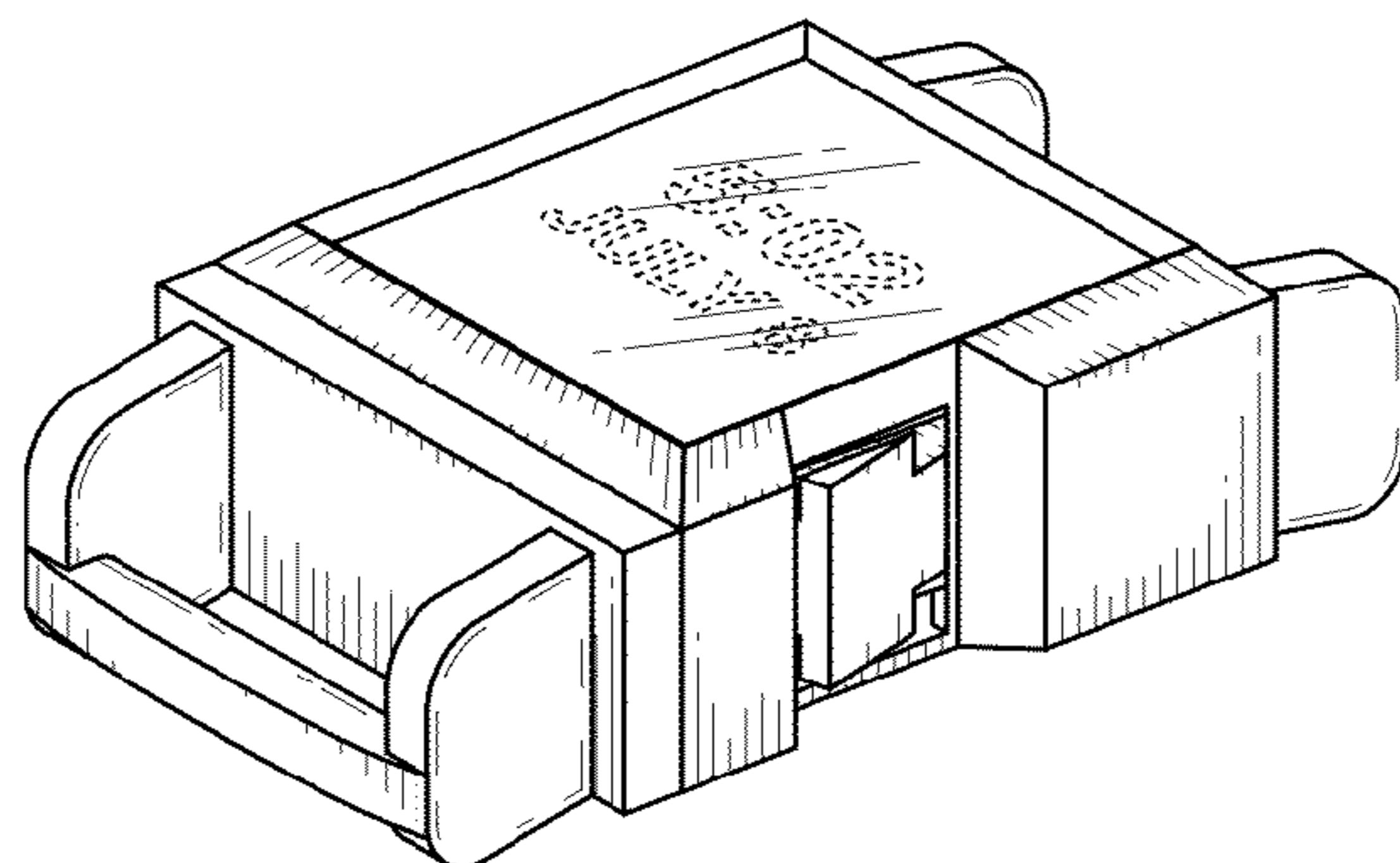
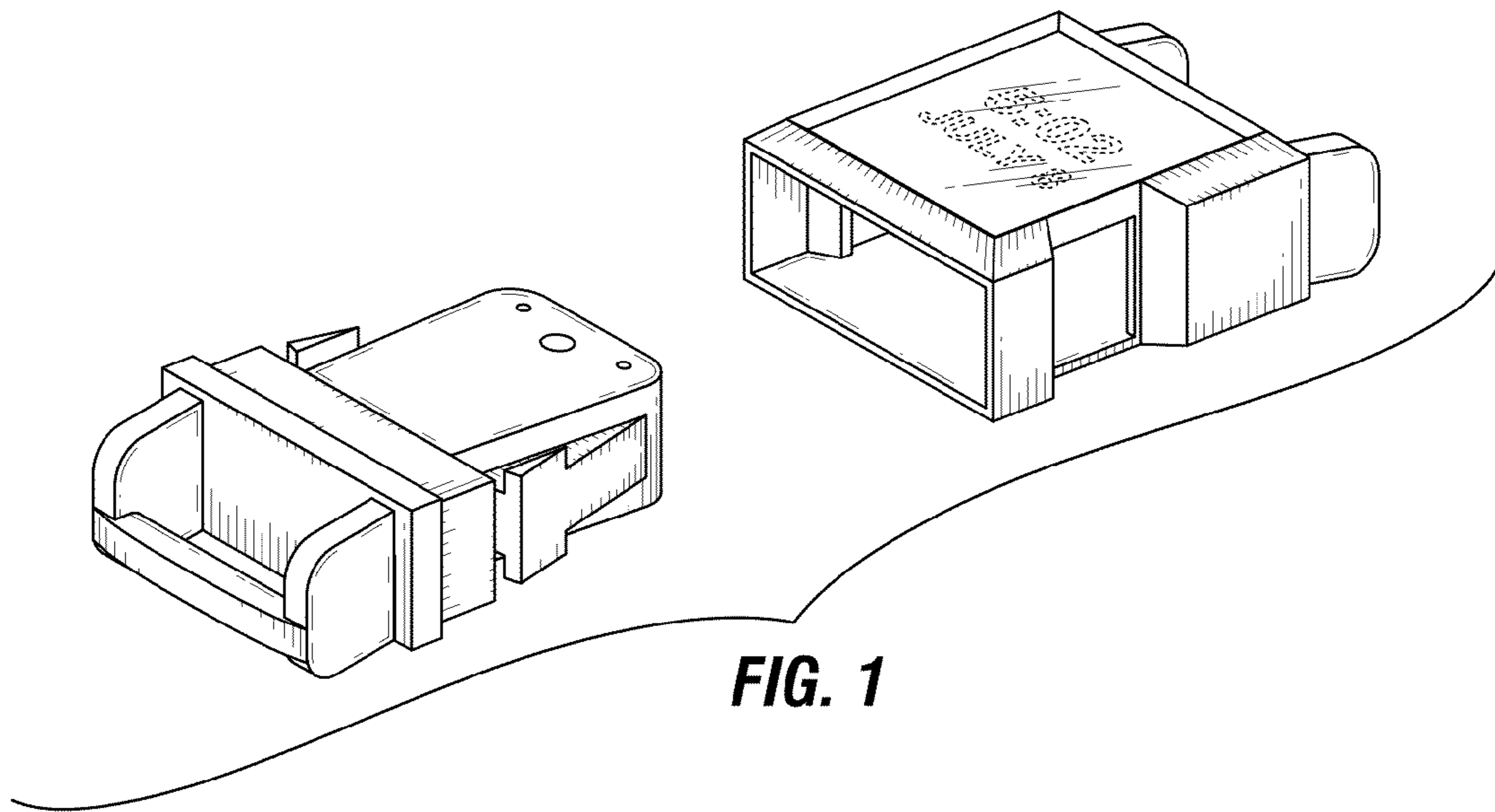
FIG. 13 is a back elevation view of the watch clasp in the open position of FIG. 1; and,

FIG. 14 is a back elevation view of the watch clasp in the closed position of FIG. 2.

The broken lines in the drawings are for descriptive purposes only and form no part of the claimed design.

1 Claim, 4 Drawing Sheets





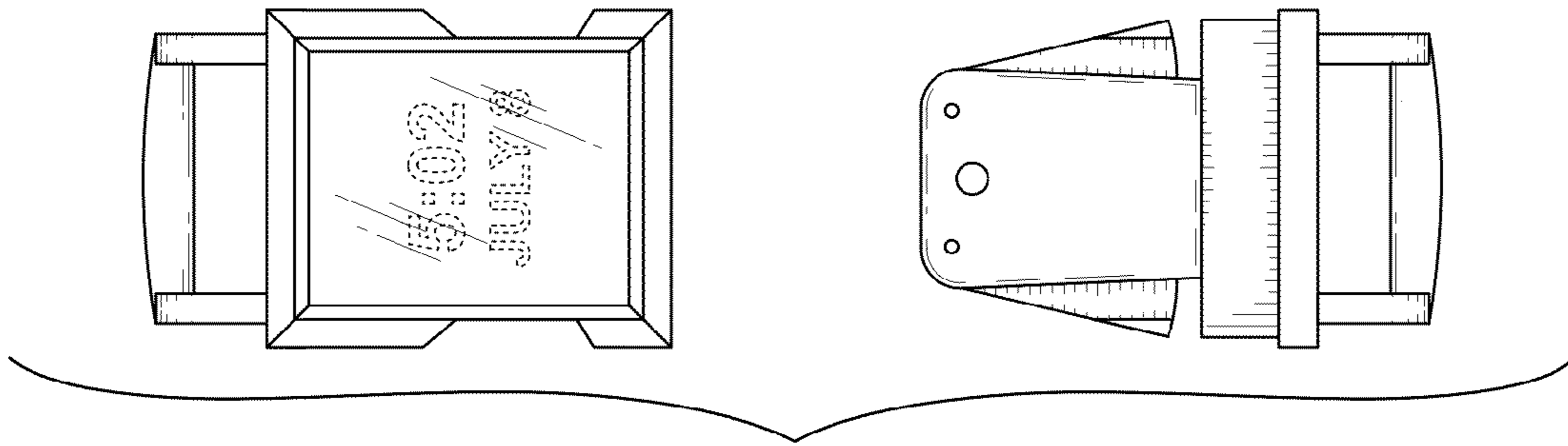


FIG. 3

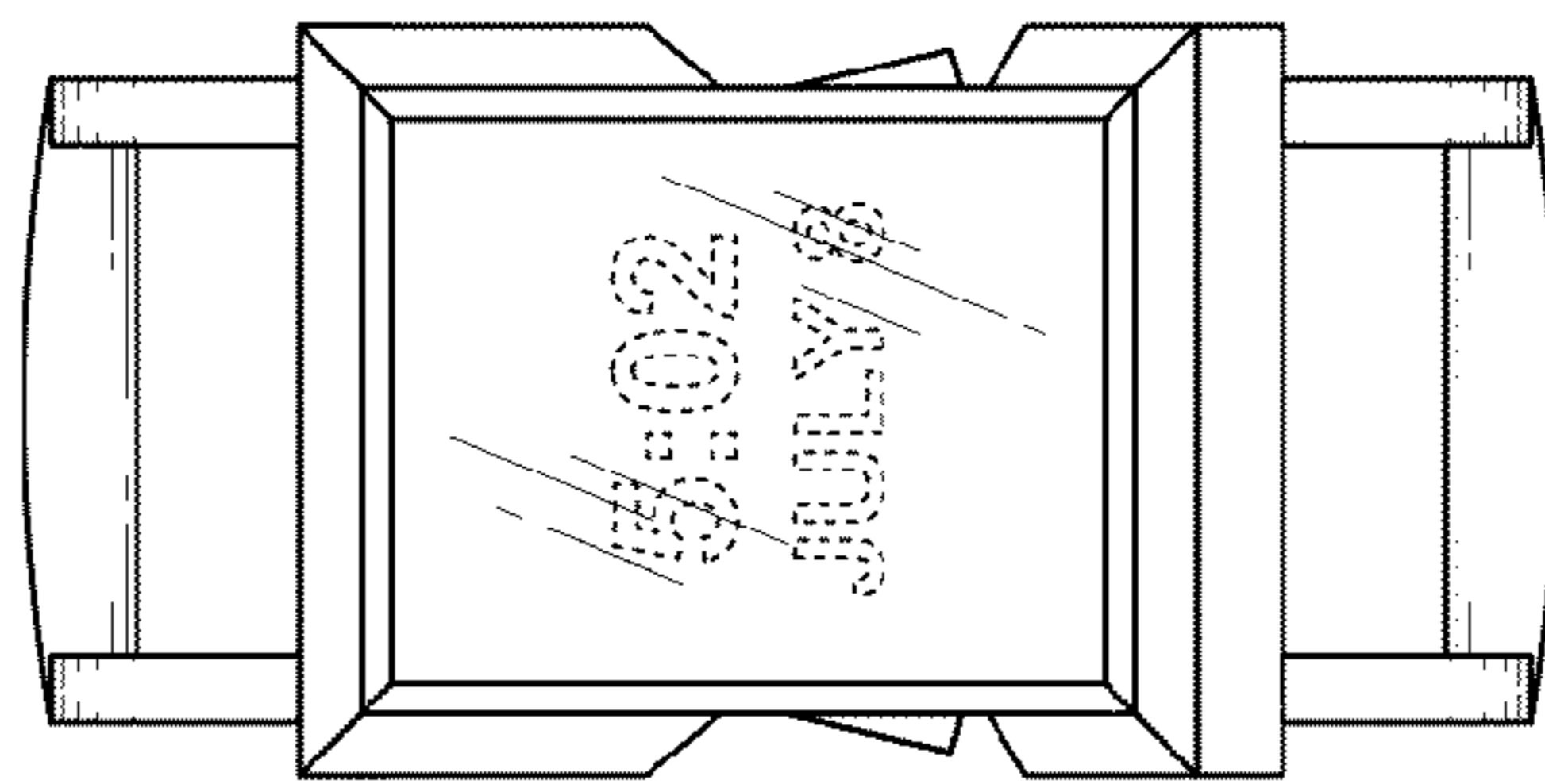


FIG. 4

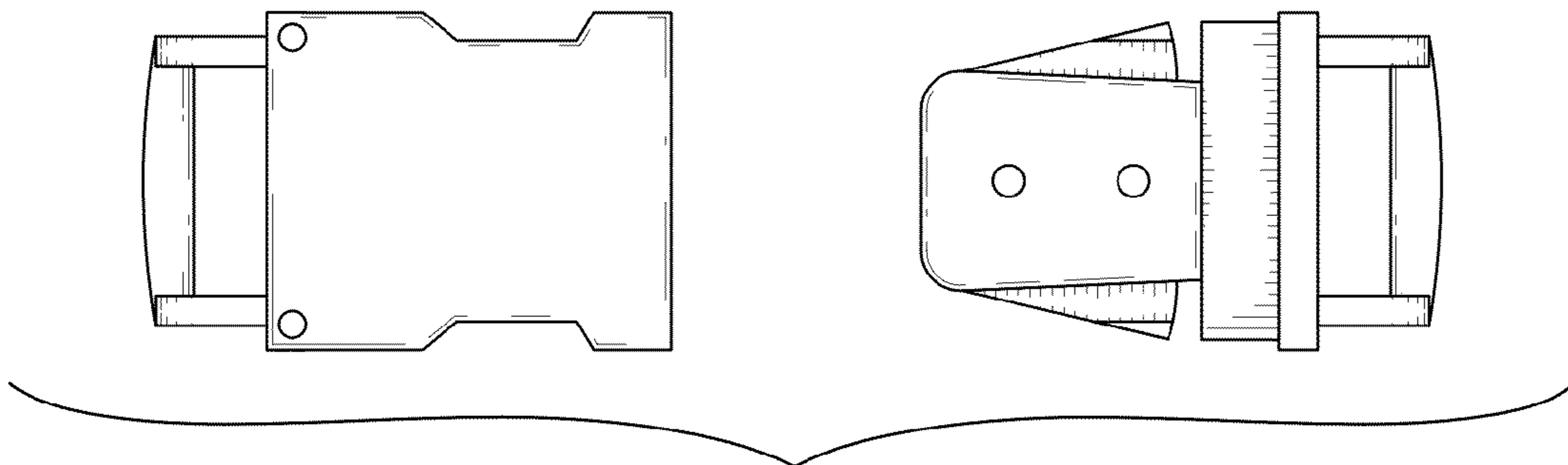


FIG. 5

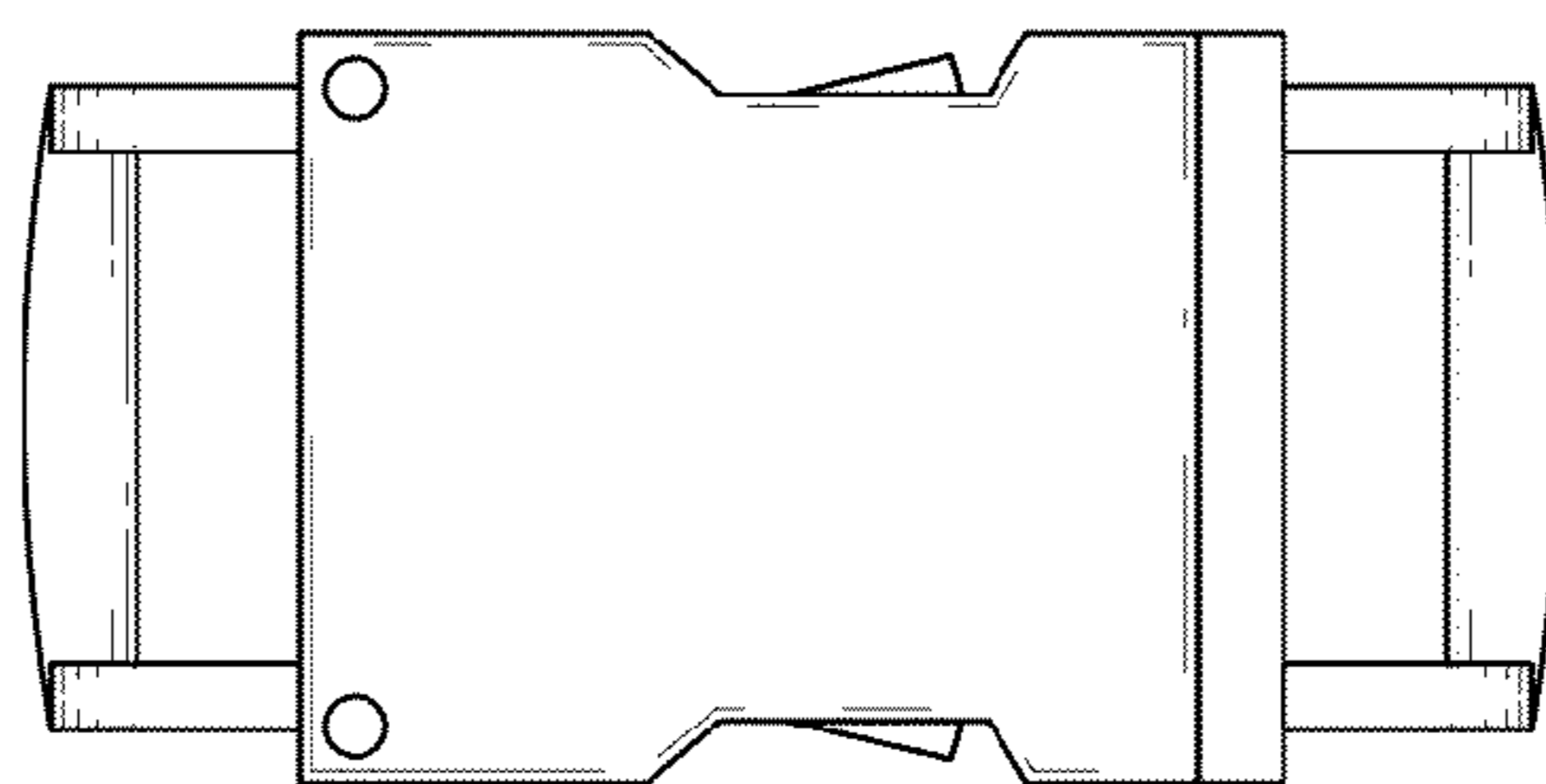


FIG. 6

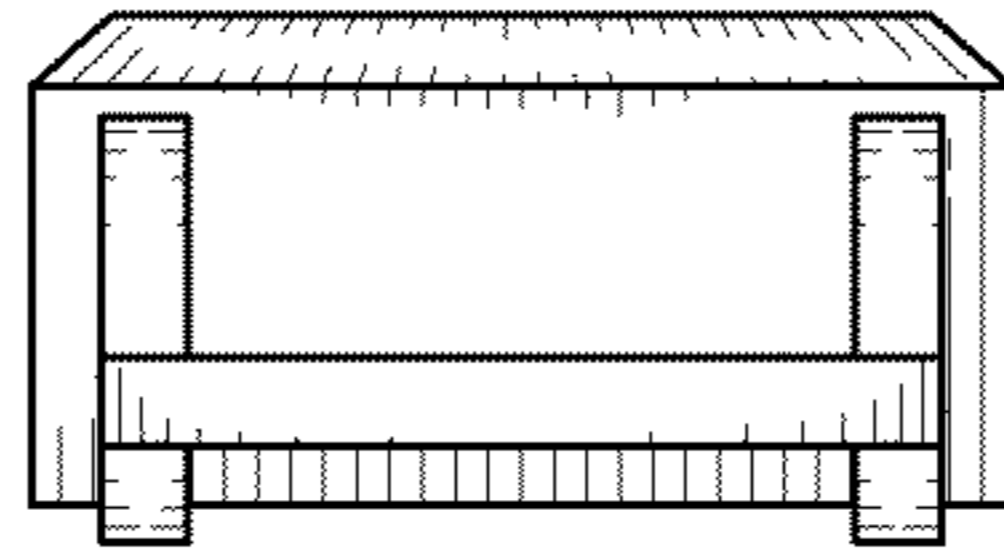


FIG. 7

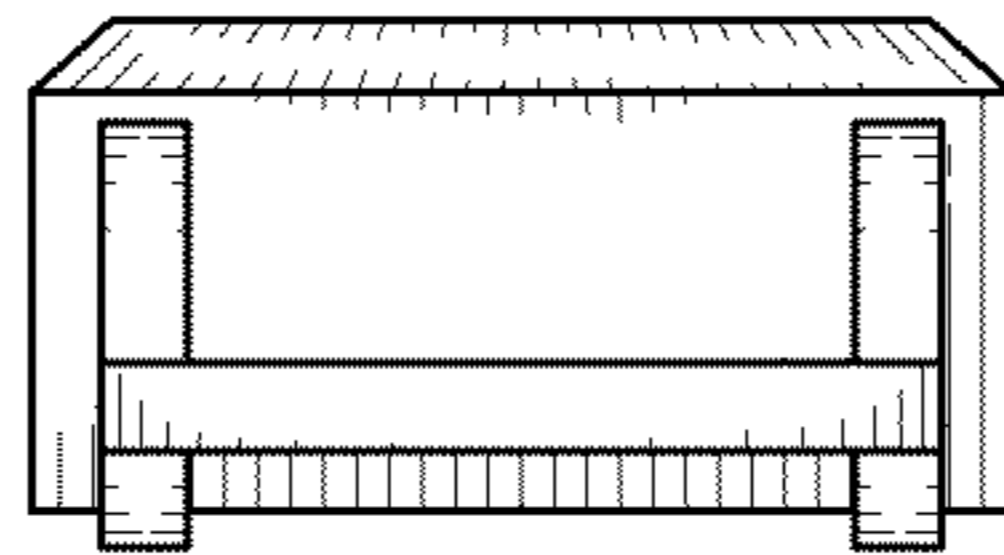


FIG. 8

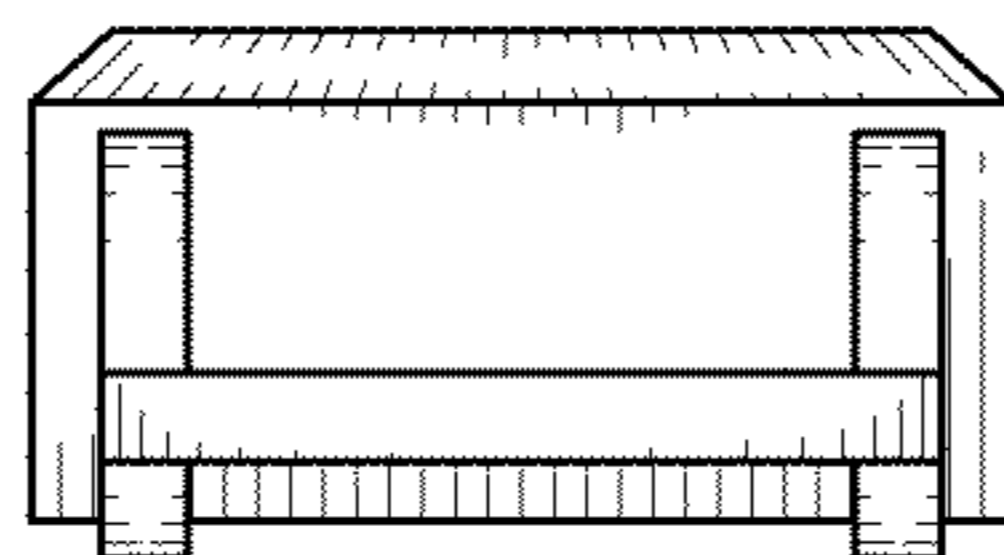


FIG. 9

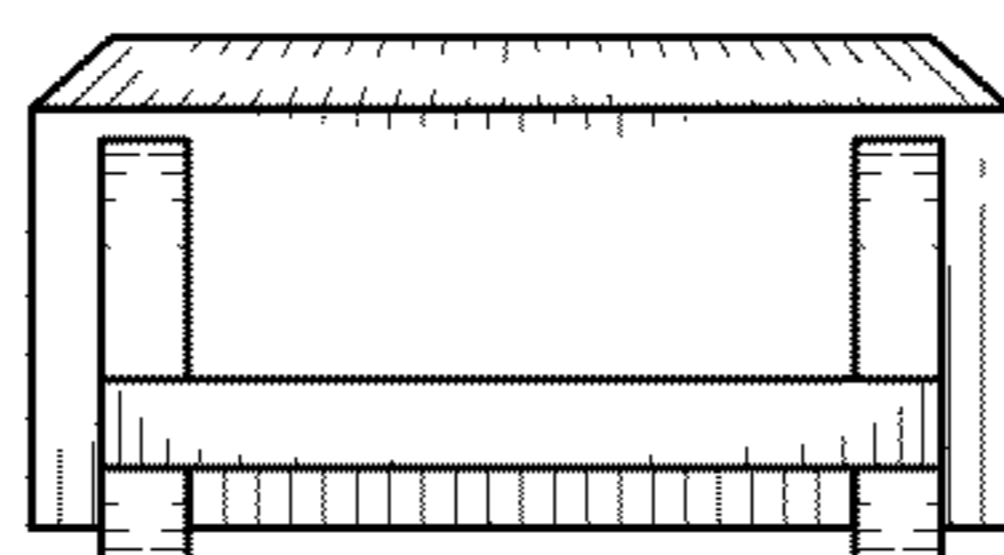


FIG. 10

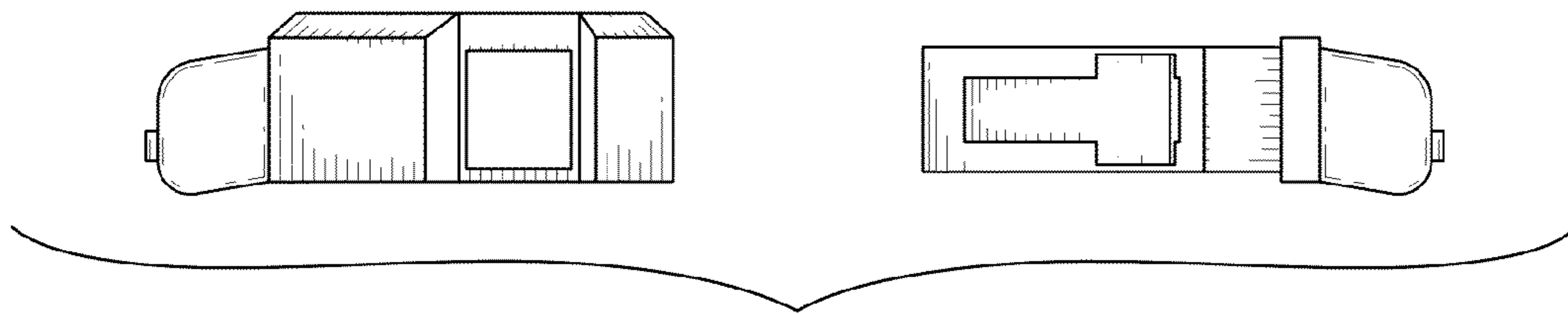


FIG. 11

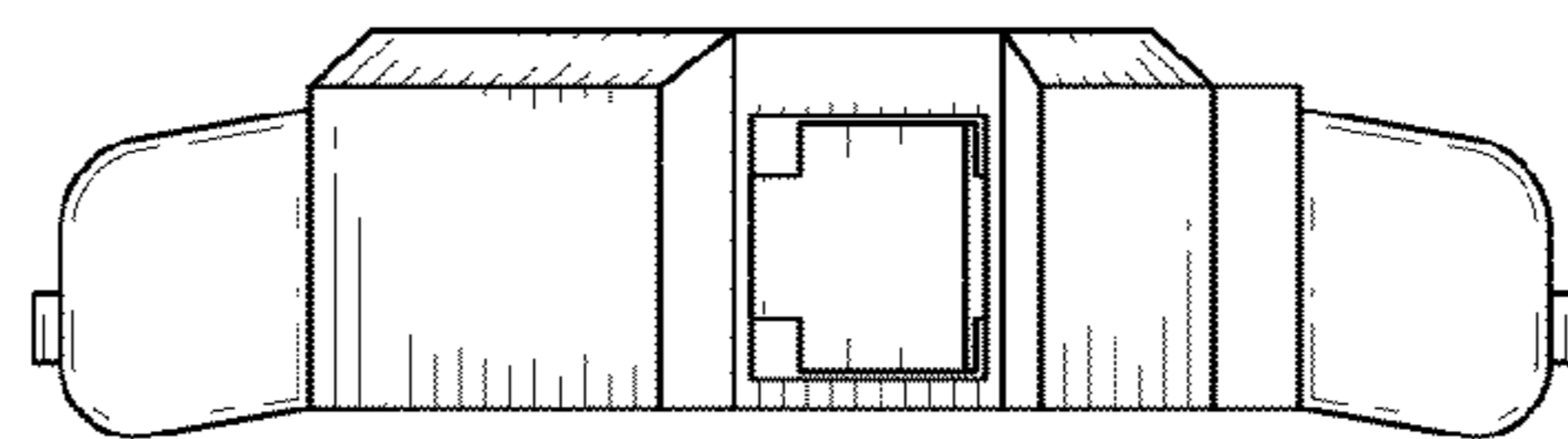


FIG. 12

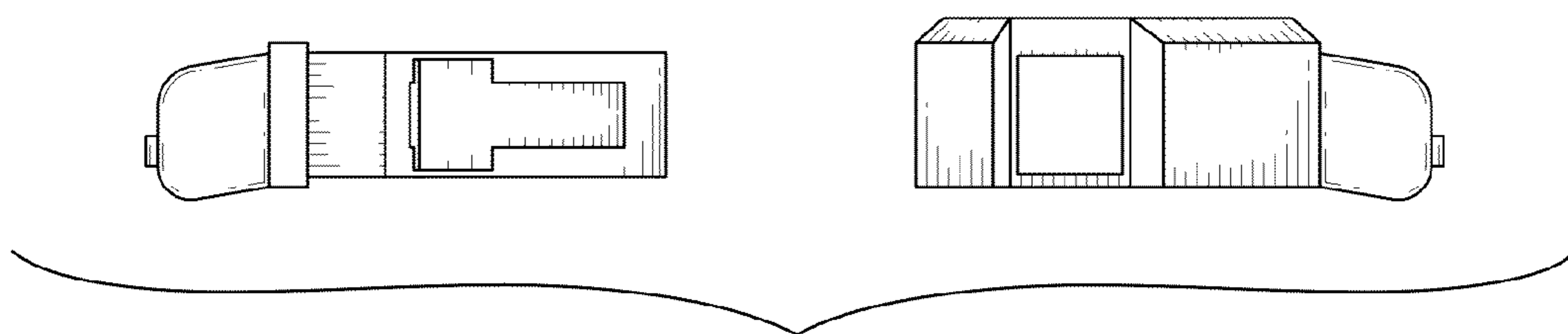


FIG. 13

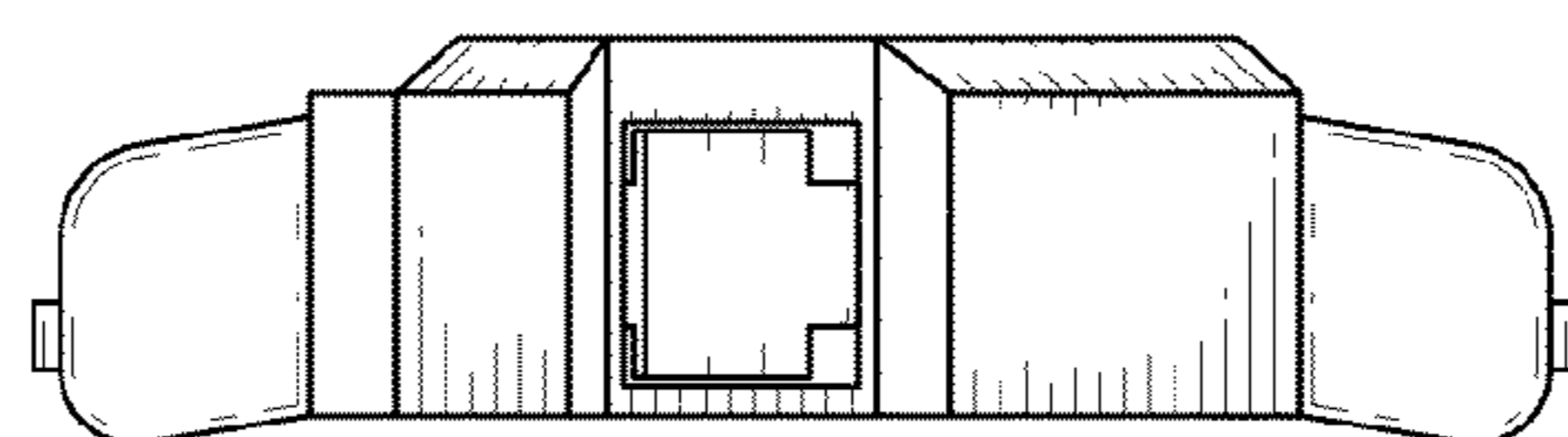


FIG. 14