



US00D737717S

(12) **United States Design Patent**  
**Weems**

(10) **Patent No.:** **US D737,717 S**  
(45) **Date of Patent:** **\*\* Sep. 1, 2015**

(54) **EARRING**

(71) Applicant: **Origami Owl, LLC**, Chandler, AZ (US)

(72) Inventor: **Christian H. Weems**, Gilbert, AZ (US)

(73) Assignee: **Origami Owl, LLC**, Chandler, AZ (US)

(\*\*) Term: **14 Years**

(21) Appl. No.: **29/483,807**

(22) Filed: **Mar. 3, 2014**

(51) **LOC (10) Cl.** ..... **11-01**

(52) **U.S. Cl.**  
USPC ..... **D11/43**

(58) **Field of Classification Search**  
USPC ..... D11/40–44, 47, 48, 86, 87, 88  
CPC ..... A44C 7/00; A44C 7/001; A44C 7/002;  
A44C 7/003; A44C 7/004; A44C 7/005;  
A44C 7/006; A44C 7/007; A44C 7/009;  
A44C 1/00

See application file for complete search history.

(56) **References Cited**

**U.S. PATENT DOCUMENTS**

D126,199 S *	4/1941	Daniels	.....	D3/207
D348,854 S *	7/1994	Salsgiver	.....	D11/86
6,925,838 B1 *	8/2005	Carmack	.....	63/12
D522,906 S *	6/2006	Siggins	.....	D11/87
D527,300 S *	8/2006	Ppongis	.....	D11/86
D528,938 S *	9/2006	Ppongis	.....	D11/86
D531,928 S *	11/2006	Ppongis	.....	D11/86
D641,279 S *	7/2011	Hobeika	.....	D11/87
D654,389 S *	2/2012	Gordon	.....	D11/2
D718,650 S *	12/2014	Weems	.....	D11/42

**OTHER PUBLICATIONS**

[Online] [https://api.exigo.com/4.0/Origami/productimages/Large\\_ER2001.jpg](https://api.exigo.com/4.0/Origami/productimages/Large_ER2001.jpg). Retrieved Apr. 16, 2015.\*

[Online] [https://api.exigo.com/4.0/Origami/productimages/Large\\_ER2019.jpg](https://api.exigo.com/4.0/Origami/productimages/Large_ER2019.jpg). Retrieved Apr. 16, 2015.\*

\* cited by examiner

*Primary Examiner* — Garth Rademaker

*Assistant Examiner* — Melanie Pellegrini

(74) *Attorney, Agent, or Firm* — Fennemore Craig, P.C.

(57) **CLAIM**

The ornamental design for an earring, as shown and described.

**DESCRIPTION**

FIG. 1 is a perspective view of an earring;  
FIG. 2 is a front view the earring shown in FIG. 1;  
FIG. 3 is a back view the earring shown in FIG. 1;  
FIG. 4 is a right side view of the earring shown in FIG. 1;  
FIG. 5 is a left side view of the earring shown in FIG. 1;  
FIG. 6 is a top view of the earring shown in FIG. 1;  
FIG. 7 is bottom view the earring shown in FIG. 1;  
FIG. 8 is a perspective view of an additional embodiment of an earring;  
FIG. 9 is a front view the earring shown in FIG. 8;  
FIG. 10 is a back view the earring shown in FIG. 8;  
FIG. 11 is a right side view of the earring shown in FIG. 8;  
FIG. 12 is a left side view of the earring shown in FIG. 8;  
FIG. 13 is a top view of the earring shown in FIG. 8; and,  
FIG. 14 is bottom view the earring shown in FIG. 1.  
The broken lines shown in the drawings represent portions of the earring which form no part of the claimed design.

**1 Claim, 10 Drawing Sheets**

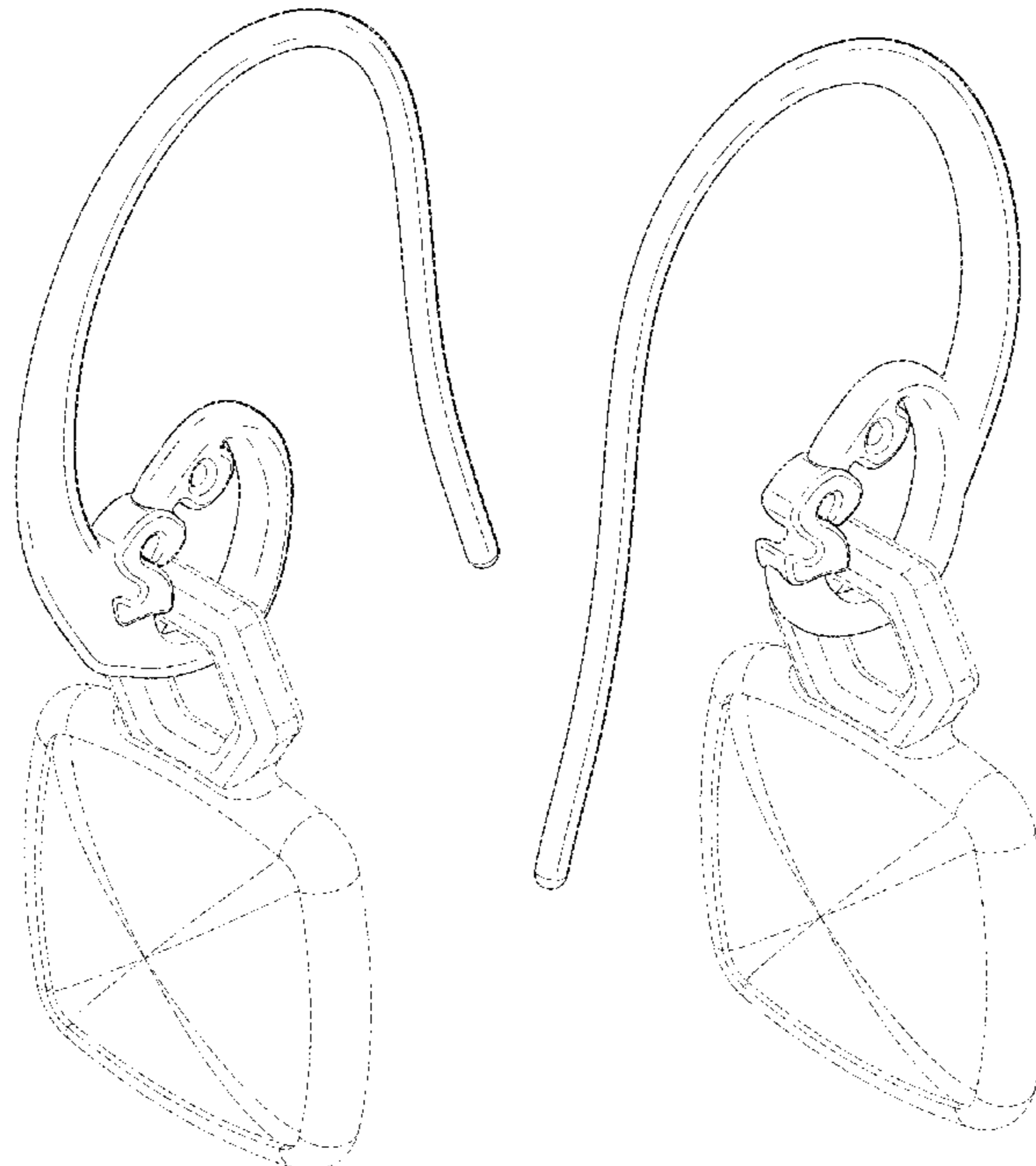


FIG. 1

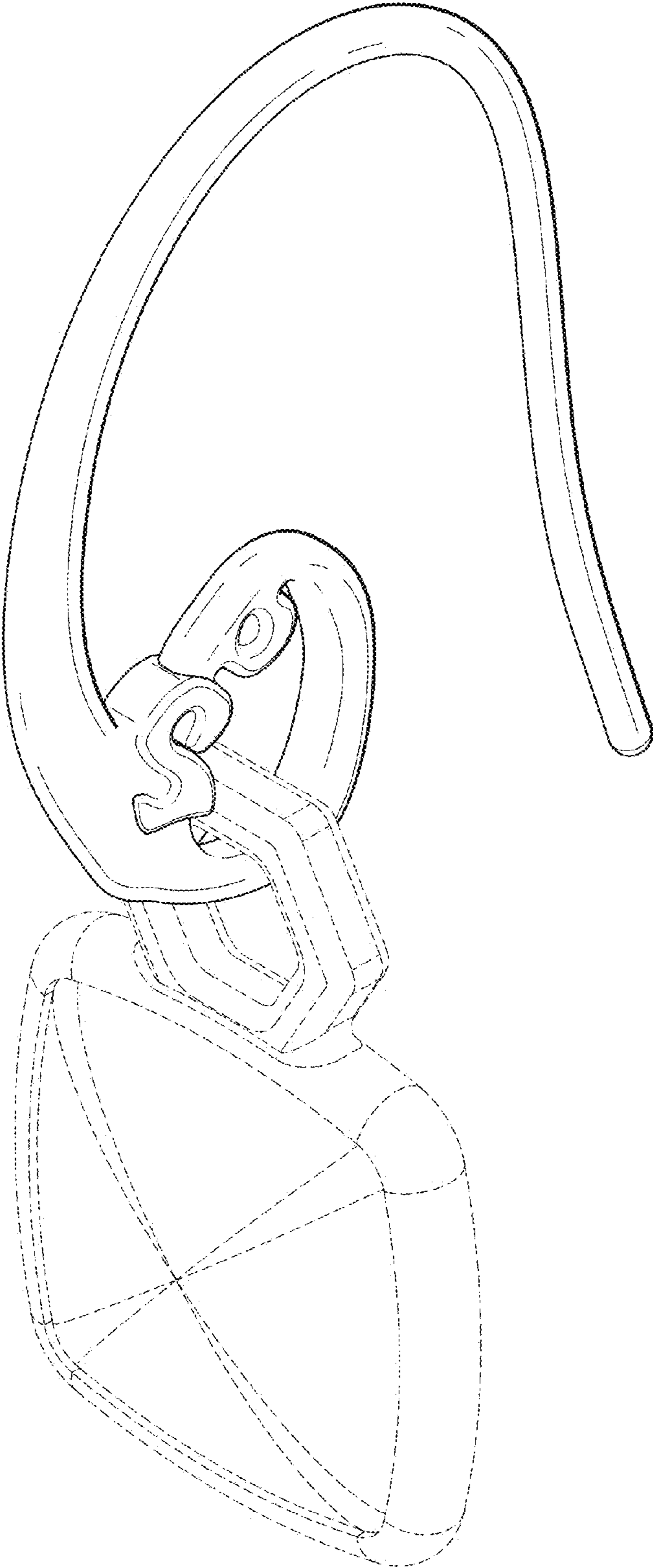


FIG. 2

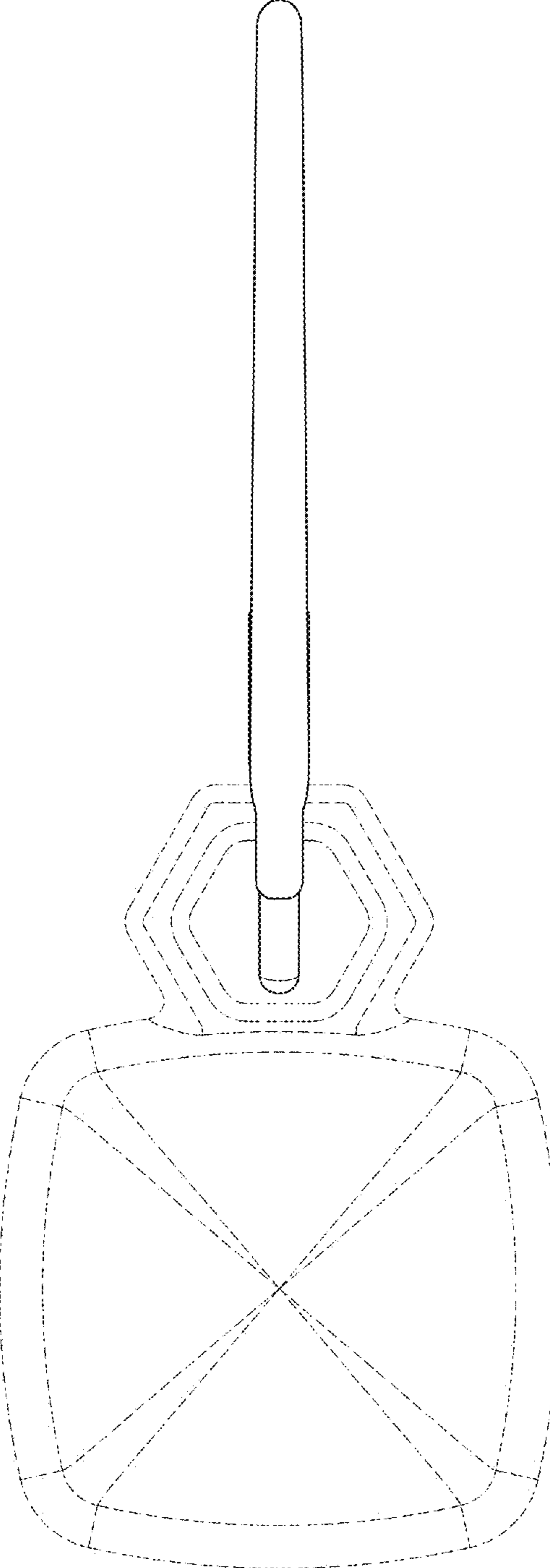


FIG. 3

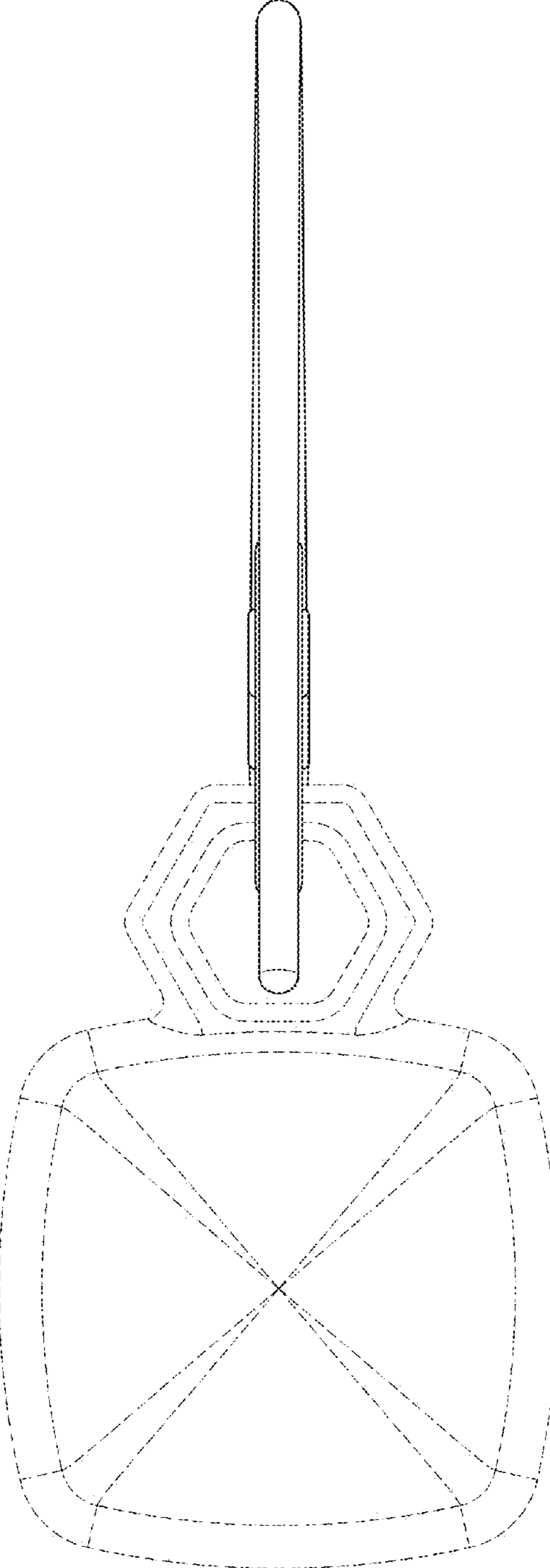
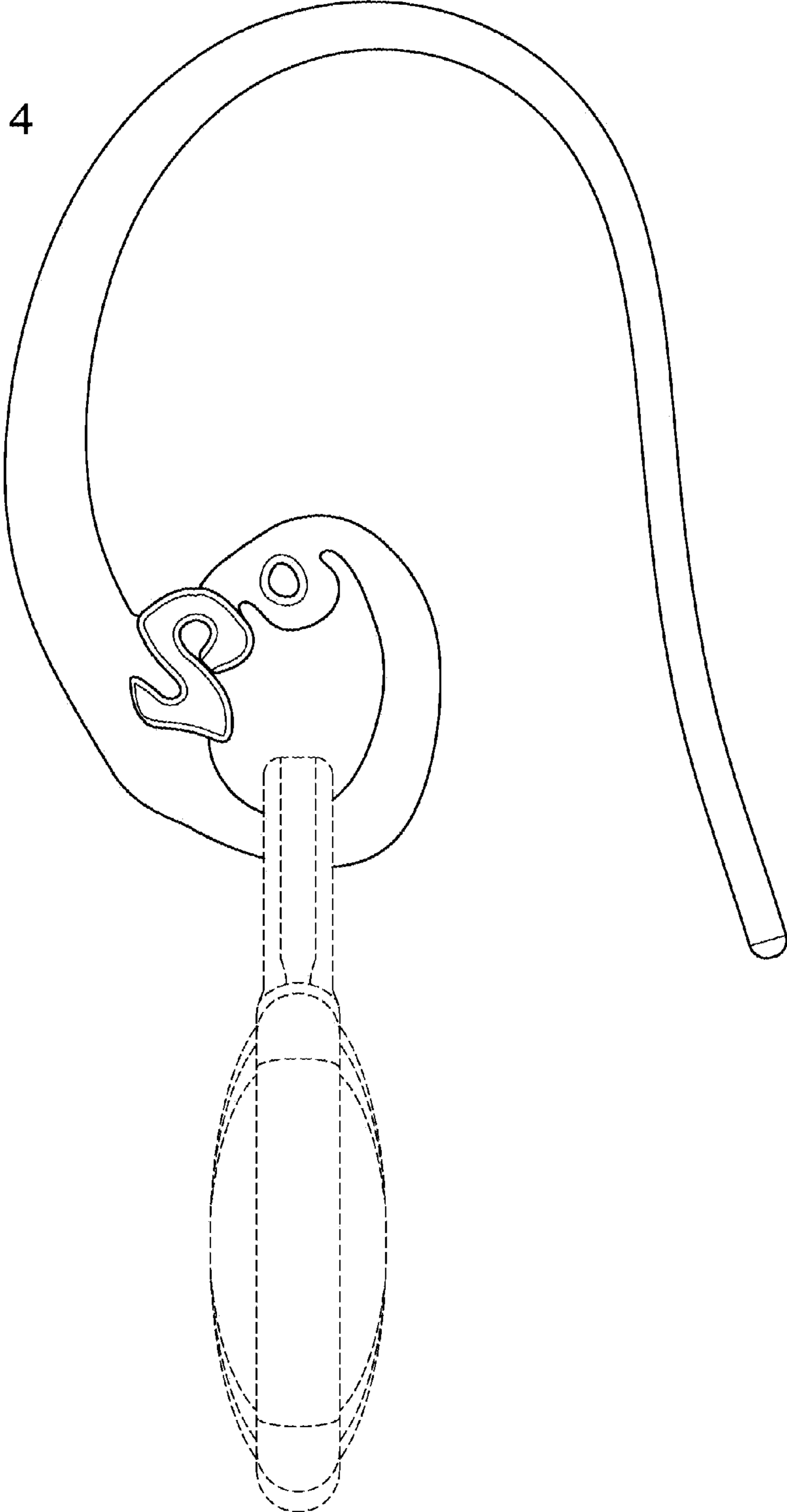


FIG. 4



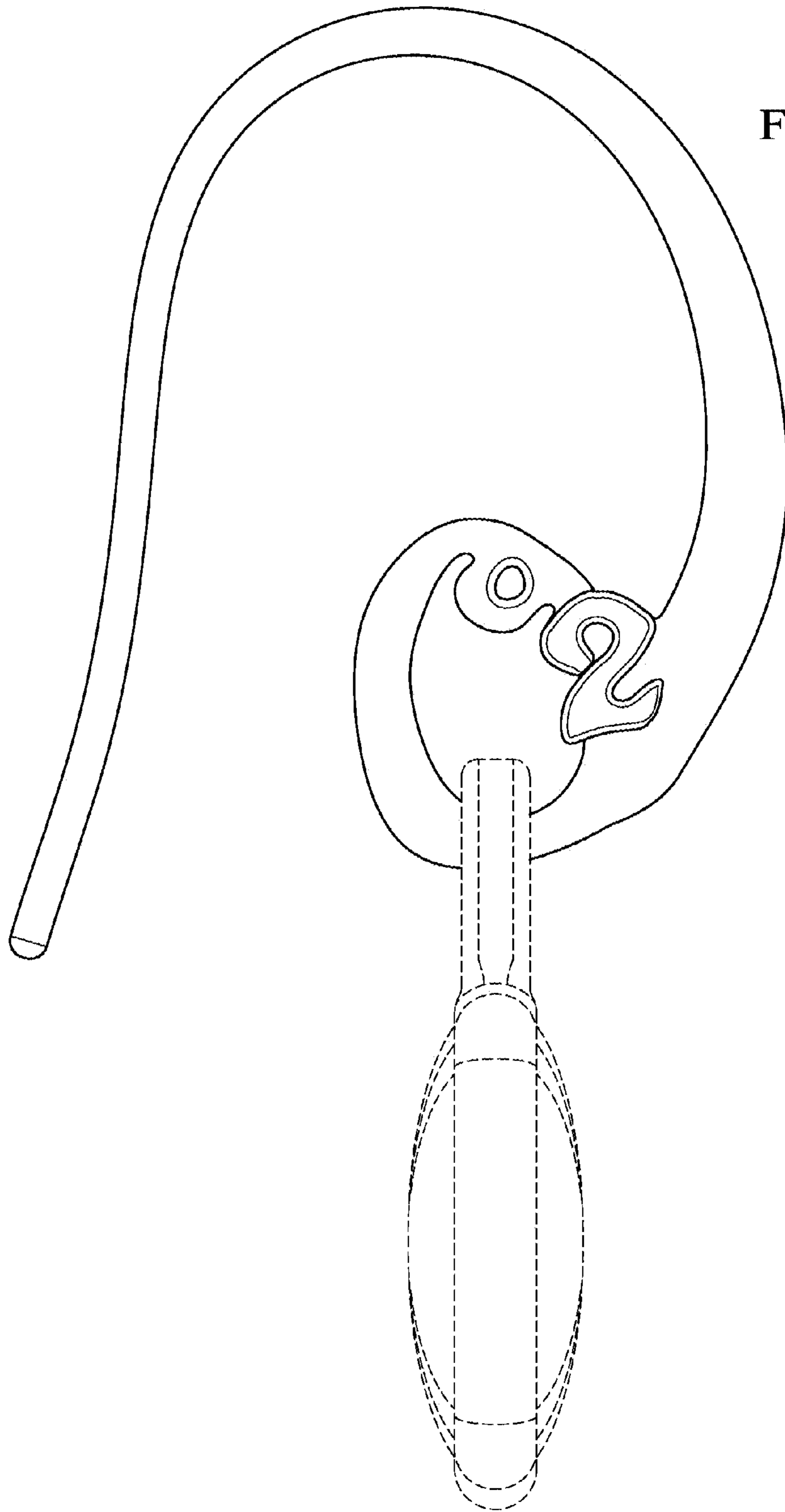


FIG. 5

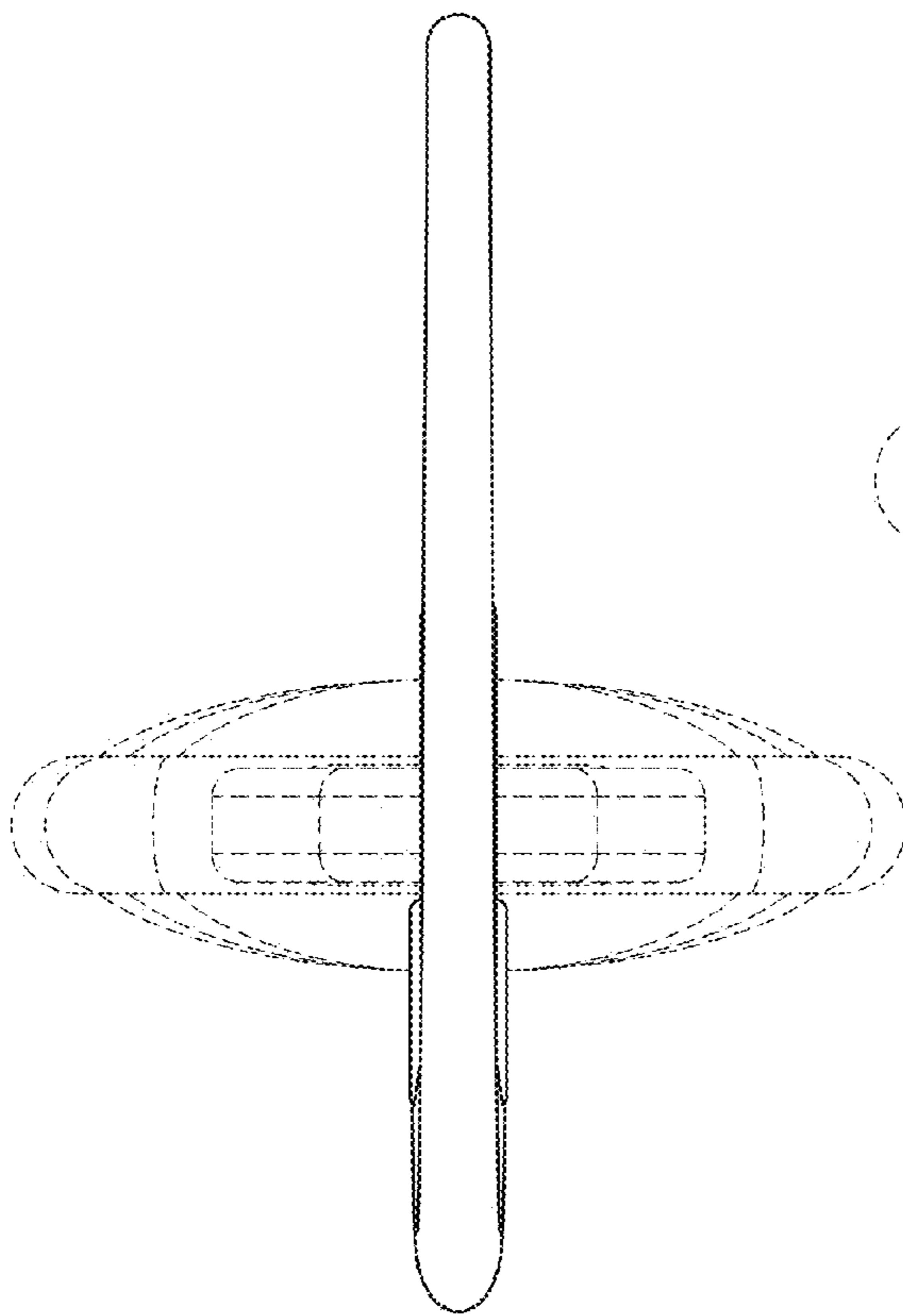


FIG. 6

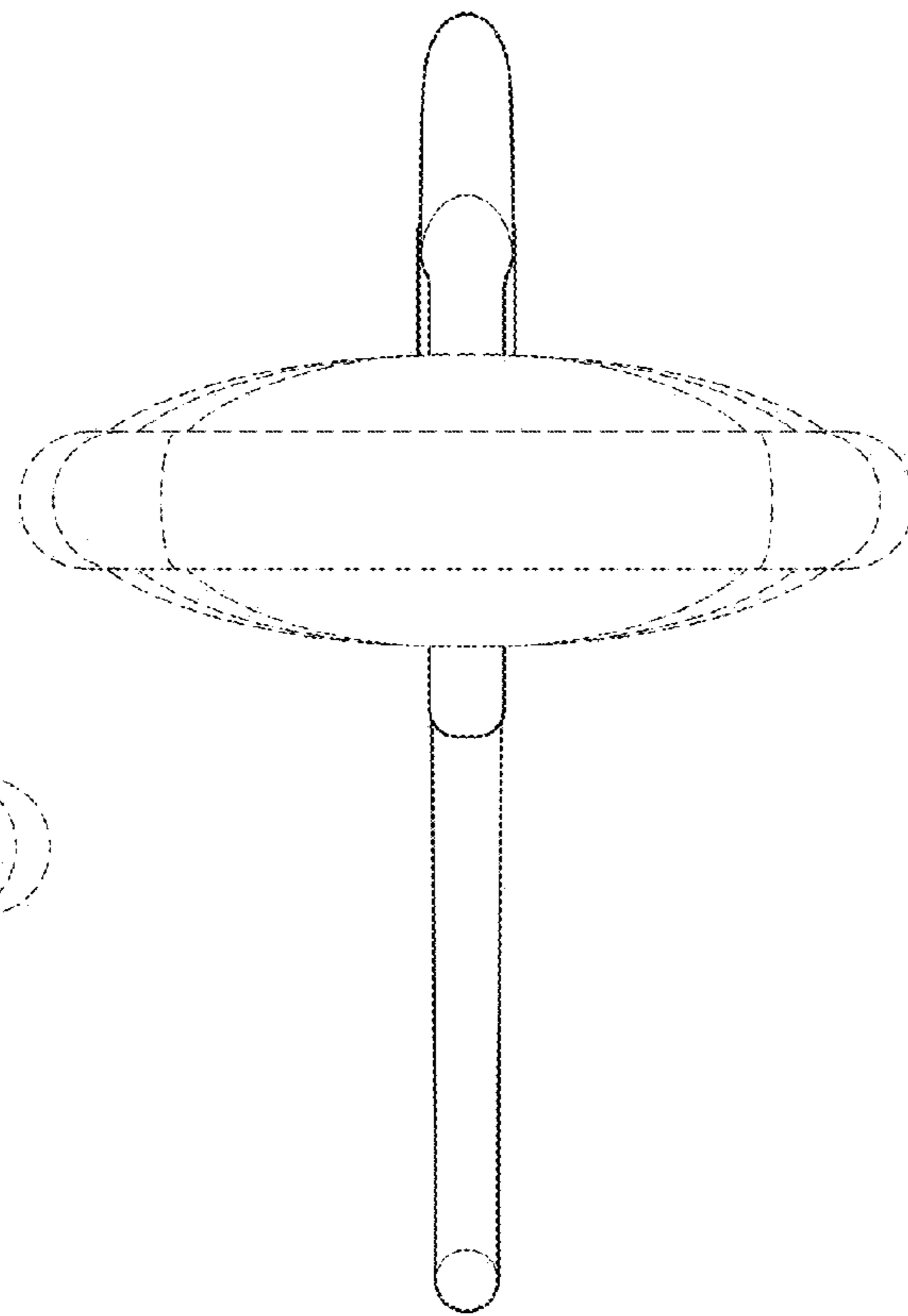


FIG. 7

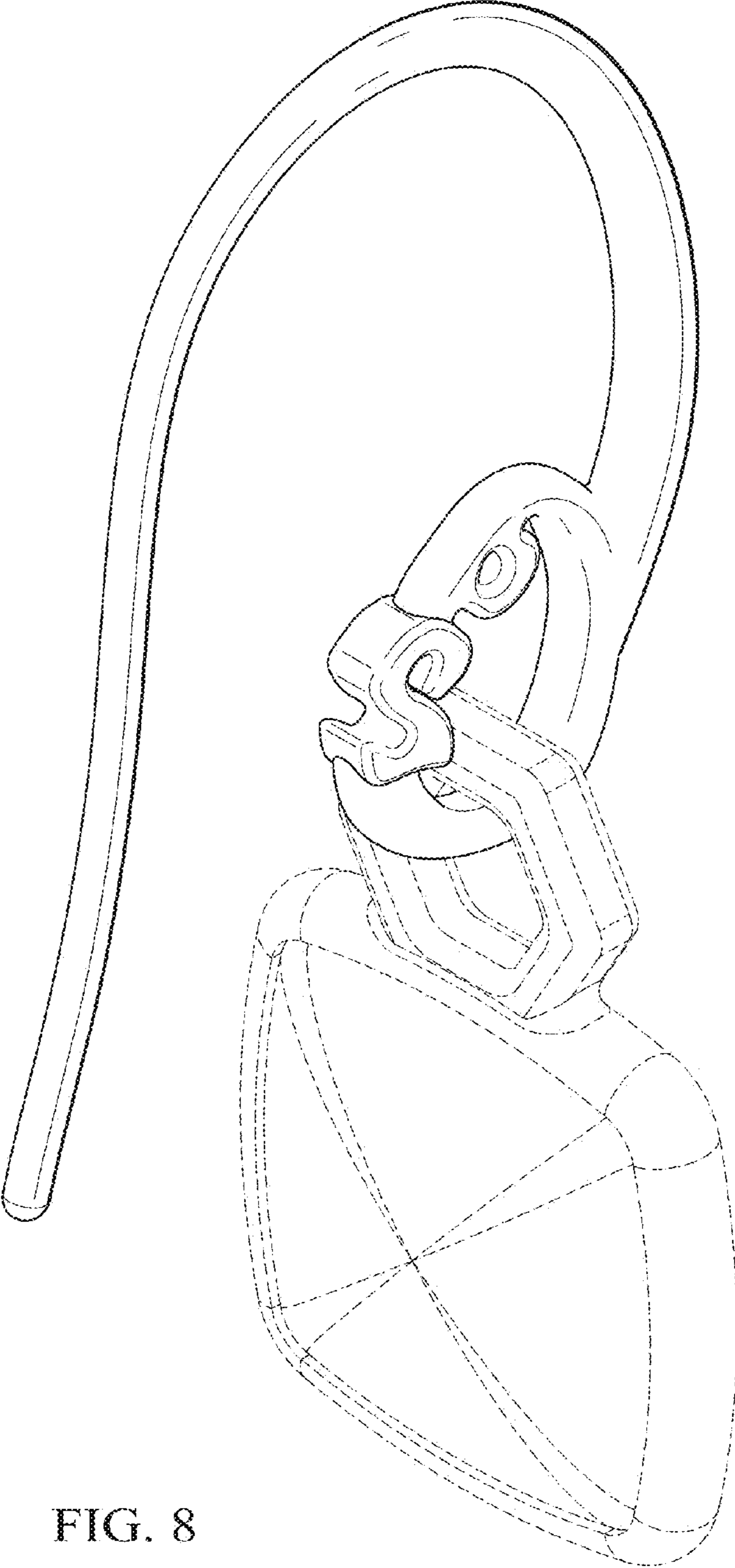


FIG. 8

FIG. 9

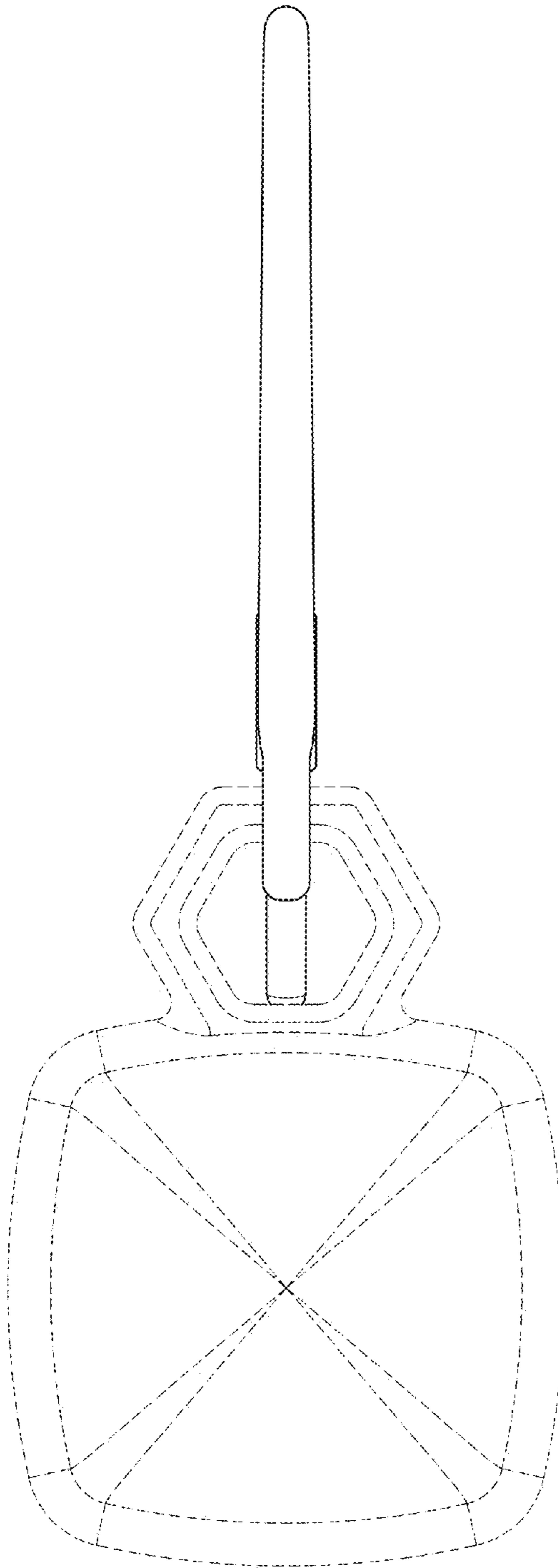
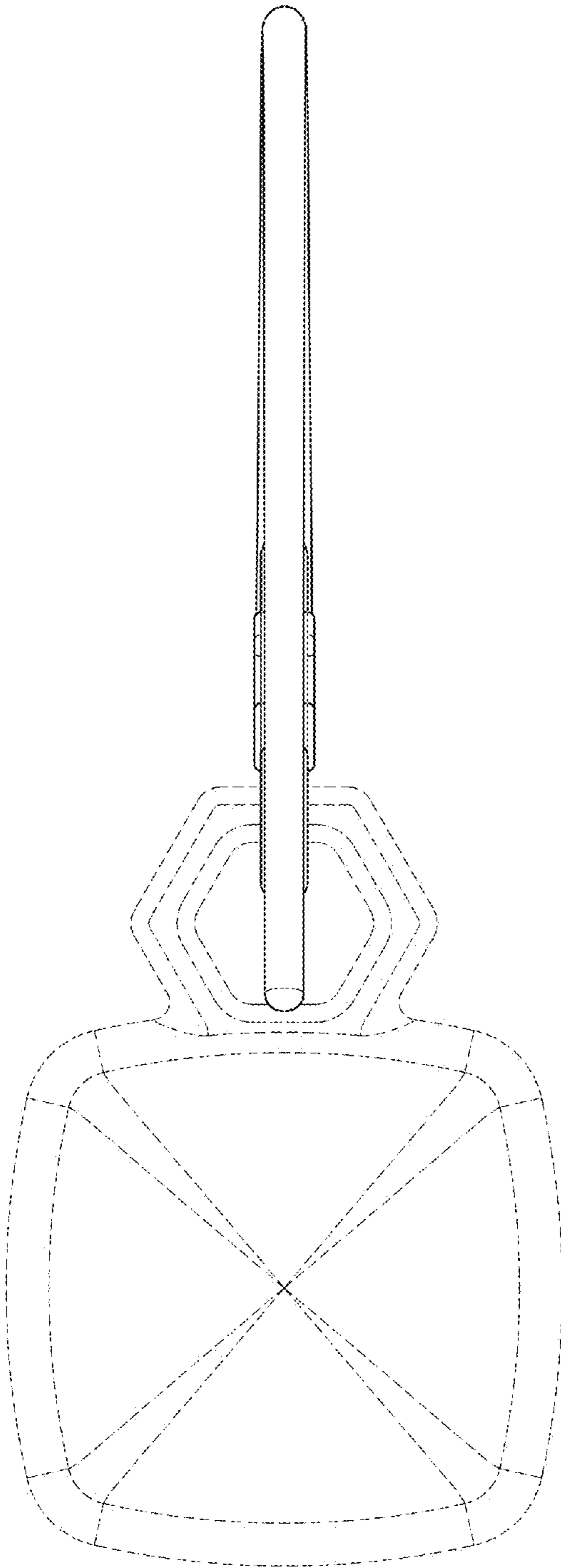


FIG. 10





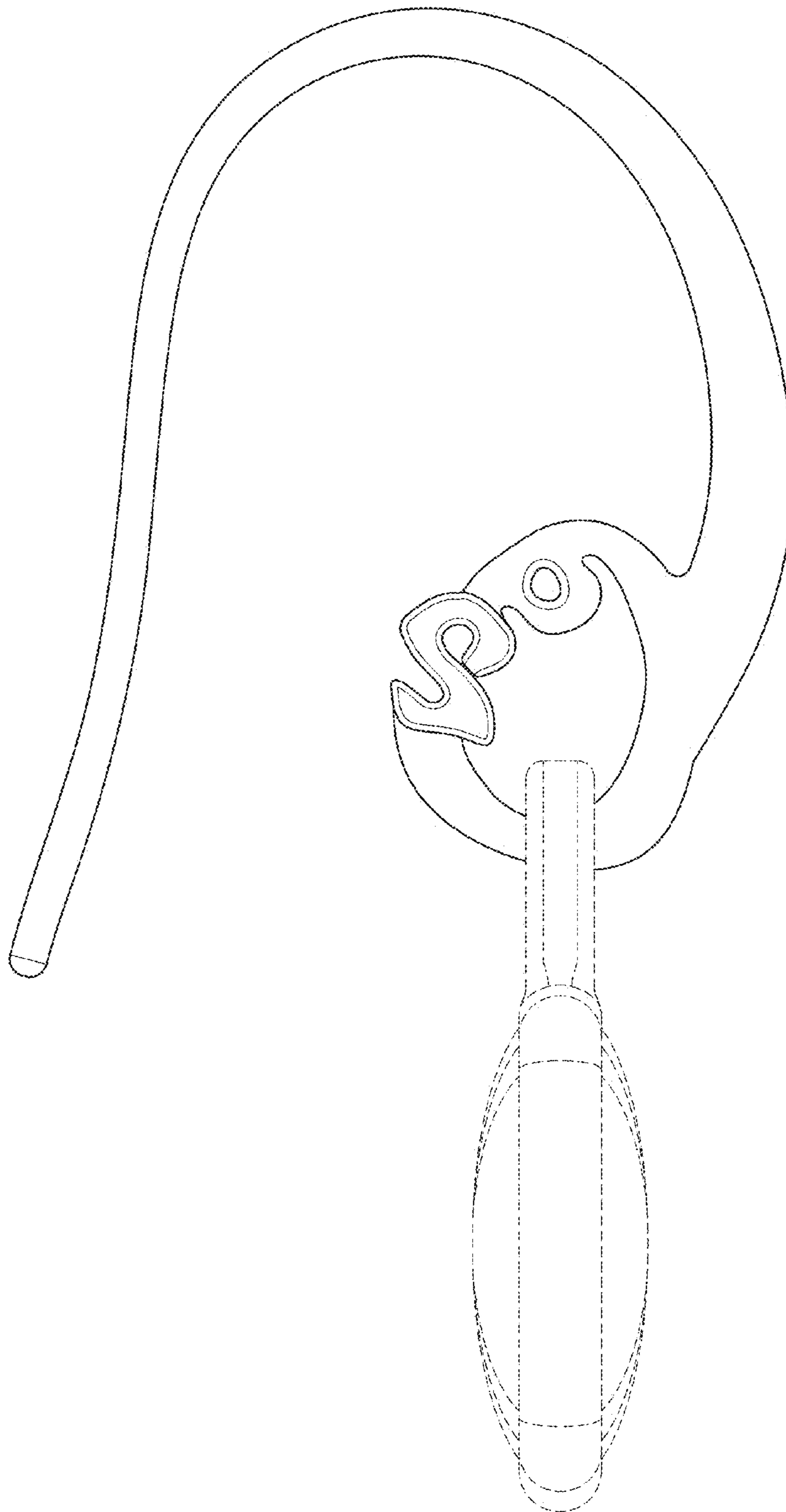
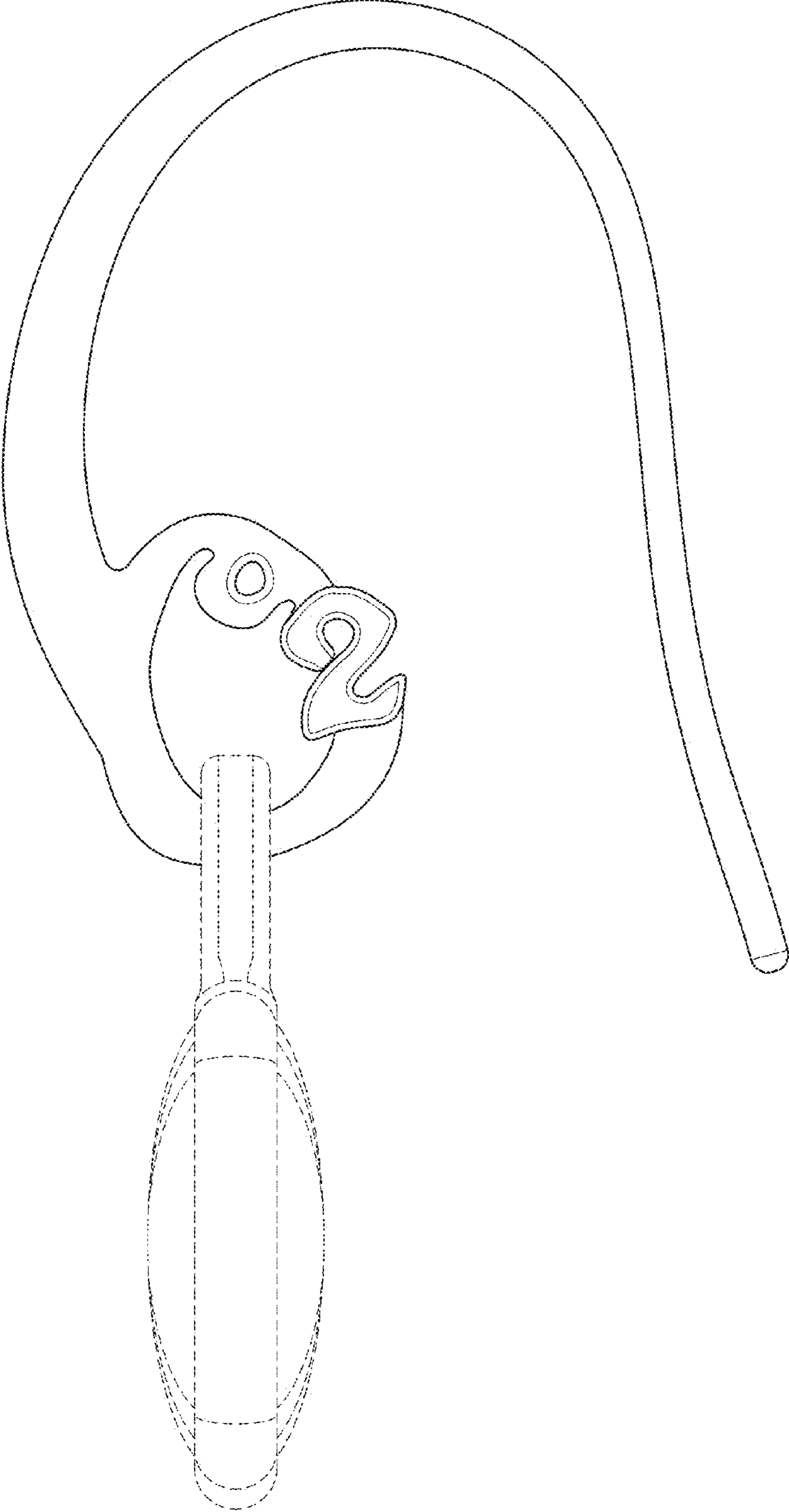


FIG. 11

FIG. 12



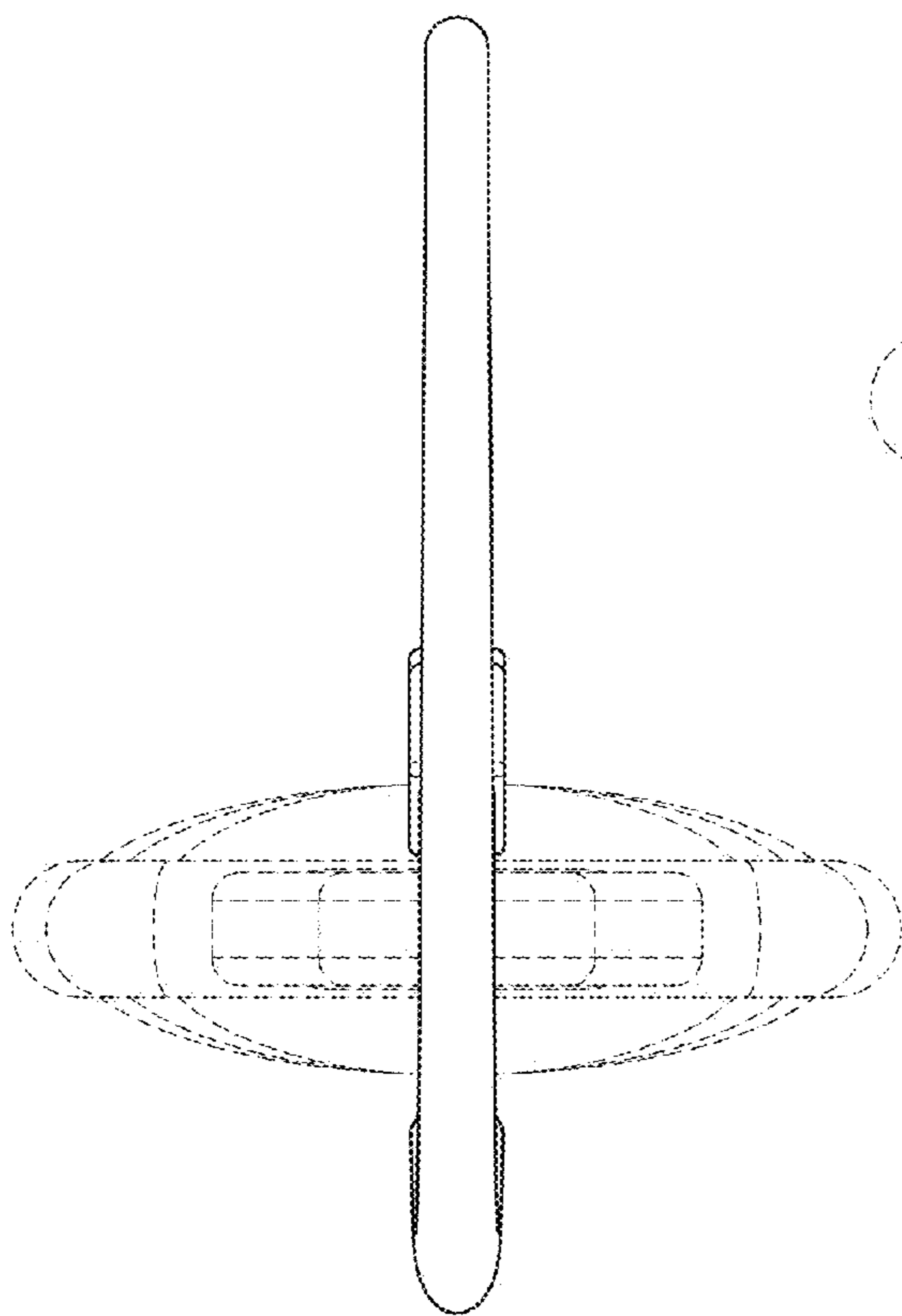


FIG. 13

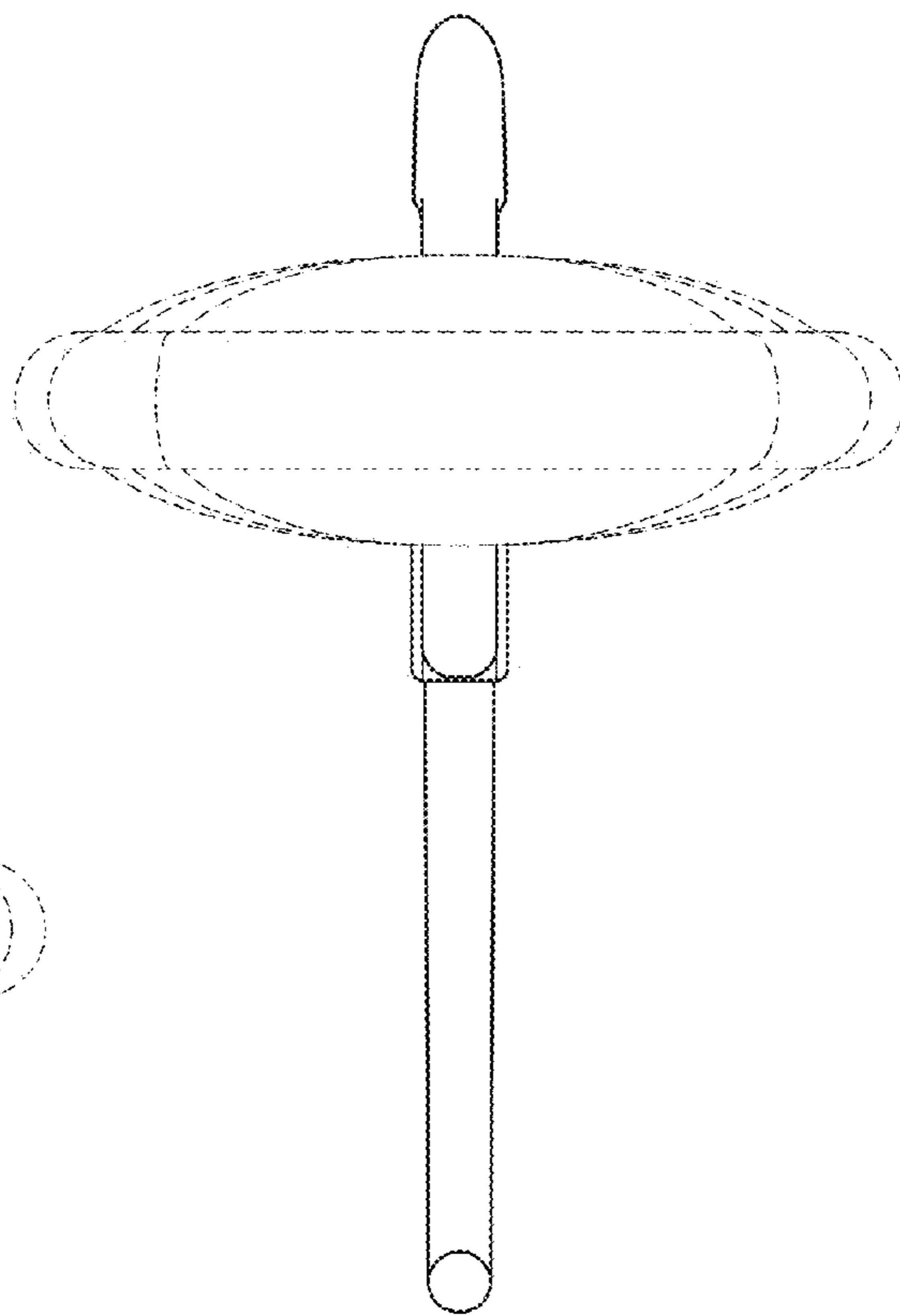


FIG. 14