

US00D737716S

(12) **United States Design Patent**
Tan et al.

(10) **Patent No.:** **US D737,716 S**
(45) **Date of Patent:** **** *Sep. 1, 2015**

- (54) **WRISTBAND**
- (71) Applicant: **Razer (Asia-Pacific) Pte. Ltd.**,
Singapore (SG)
- (72) Inventors: **Min-Liang Tan**, Singapore (SG);
Francois Laine, San Francisco, CA
(US); **Stephane Blanchard**, San
Francisco, CA (US); **Yusuf Ali Roland**,
Singapore (SG)
- (73) Assignee: **RAZER (ASIA-PACIFIC) PTE. LTD.**,
Singapore (SG)
- (*) Notice: This patent is subject to a terminal dis-
claimer.
- (**) Term: **14 Years**
- (21) Appl. No.: **29/495,540**
- (22) Filed: **Jul. 1, 2014**
- (51) **LOC (10) Cl.** **11-01**
- (52) **U.S. Cl.**
USPC **D11/3**
- (58) **Field of Classification Search**
USPC D11/1-30, 200, 213, 216, 220; 63/1.11,
63/1.13, 1.14, 1.15, 1.16, 1.17, 3, 3.1, 3.2,
63/5.1, 6, 7-12, 15, 15.1, 15.2, 15.3,
63/15.45, 15.5, 21, 24, 25, 33, 38, 40, 41;
D10/30-32; 368/276-278, 281-283;
D14/344; D24/165, 167, 186, 187,
D24/215; D30/151-153
CPC G04B 37/005; G04B 37/1486; G04B
37/0033; G04B 37/00; G04B 47/00; G04B
47/04; G04B 47/046; G04B 45/0069; G04B
45/0092; G04B 43/002
See application file for complete search history.

(56) **References Cited**
U.S. PATENT DOCUMENTS

D295,838 S *	5/1988	Ando	D10/32
D343,590 S *	1/1994	Dubs	D11/20

D392,585 S *	3/1998	Kohl	D11/26
D562,175 S *	2/2008	Miller	D11/35
D600,571 S *	9/2009	Singer	D10/32
D608,236 S *	1/2010	Akdemir	D11/26
D643,428 S *	8/2011	Janky et al.	D14/358
8,028,413 B2 *	10/2011	Miller	63/15
D671,858 S *	12/2012	Cobbett et al.	D11/3
D677,190 S *	3/2013	Cobbett et al.	D11/3
D680,020 S *	4/2013	Cobbett et al.	D11/3
D684,497 S *	6/2013	Cobbett et al.	D11/3
D688,584 S *	8/2013	Cobbett et al.	D11/3
D688,585 S *	8/2013	Ohnemus et al.	D11/3
D690,218 S *	9/2013	Cobbett et al.	D11/3
D698,268 S *	1/2014	Mijatovic	D10/32
D710,220 S *	8/2014	Daniel	D10/32
D711,002 S *	8/2014	Ohnemus et al.	D24/186

(Continued)

Primary Examiner — Cynthia Ramirez

Assistant Examiner — Llorellys Martinez-Rivera

(74) *Attorney, Agent, or Firm* — Novak Druce Connolly
Bove + Quigg LLP

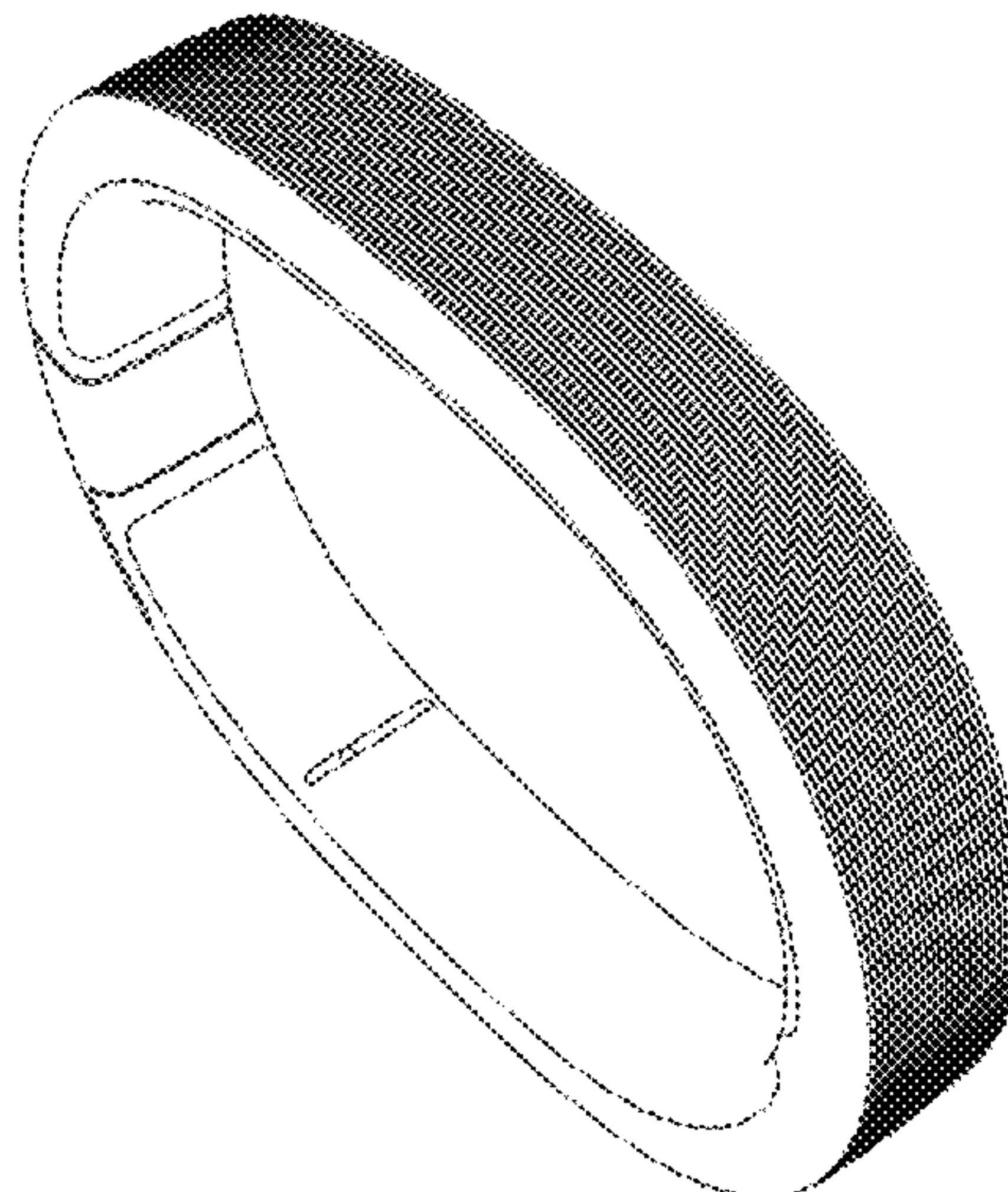
(57) **CLAIM**

We claim the ornamental design for a wristband, as shown
and described.

DESCRIPTION

FIG. 1 is a top perspective view of a wristband showing our
new design;
FIG. 2 is a bottom perspective view of the wristband;
FIG. 3 is a side view of the wristband;
FIG. 4 is a bottom view of the wristband;
FIG. 5 is a top view of the wristband;
FIG. 6 is a left-side view of the wristband;
FIG. 7 is a right-side view of the wristband;
FIG. 8 is an another side view of the wristband in an open
position; and,
FIG. 9 is a front perspective view of the wristband in the open
position.

1 Claim, 9 Drawing Sheets



US D737,716 S

Page 2

(56)

References Cited

U.S. PATENT DOCUMENTS

2008/0236195 A1*	10/2008	Woebke	63/7
2009/0168612 A1*	7/2009	Robin et al.	368/282
2014/0137600 A1*	5/2014	Rich et al.	63/11
D717,956 S *	11/2014	Alexander et al.	D24/167

* cited by examiner

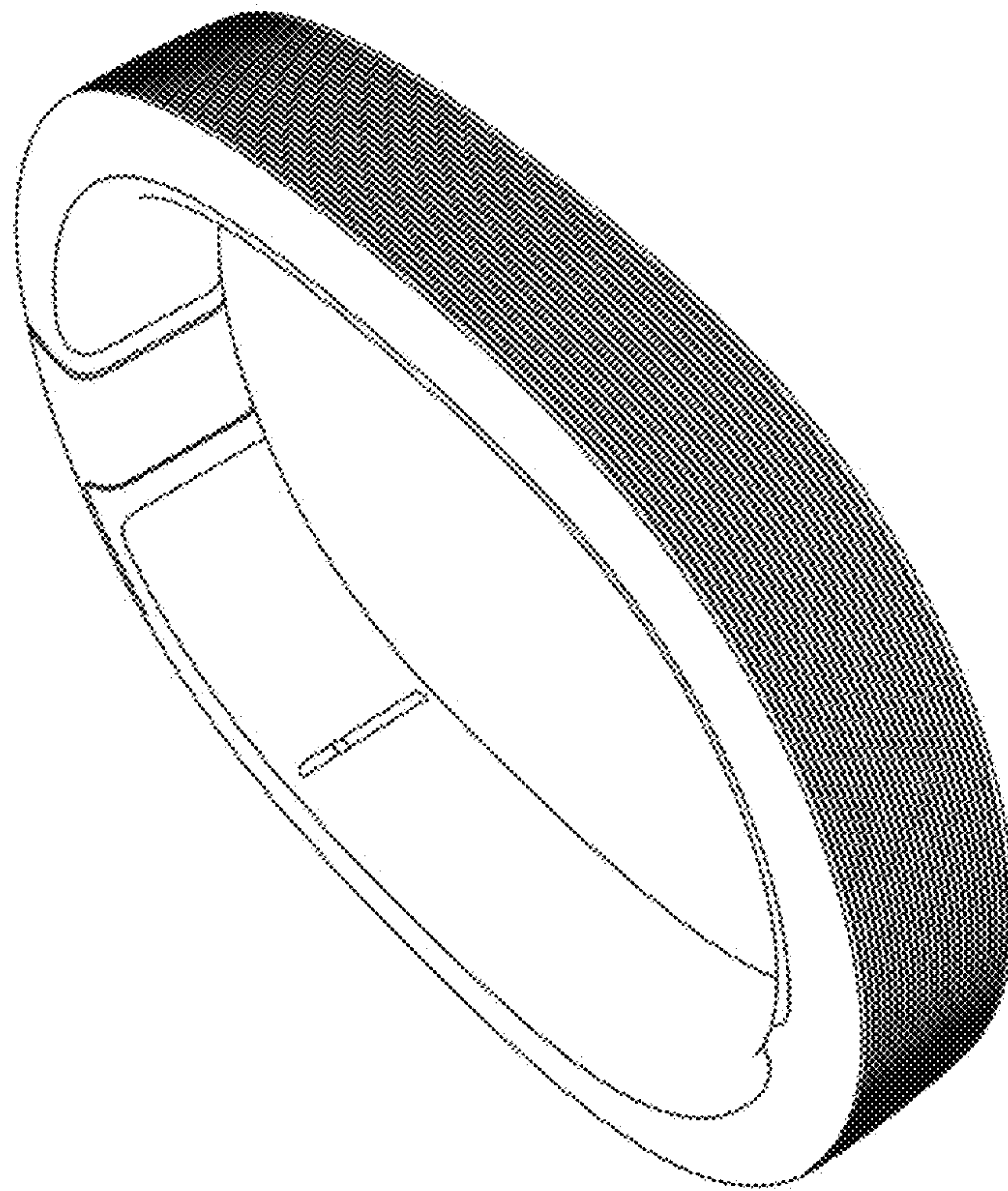


FIG. 1



FIG. 2

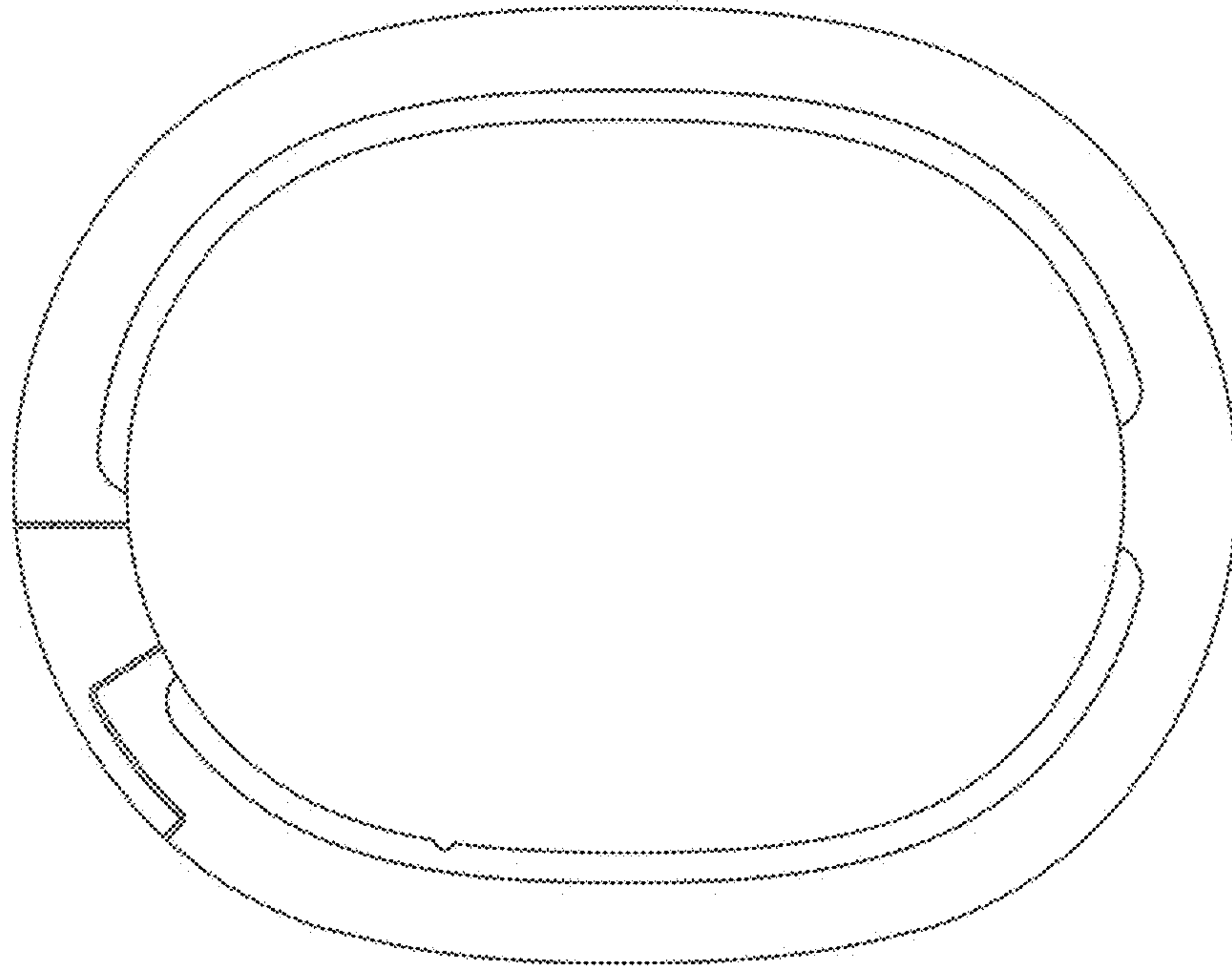


FIG. 3

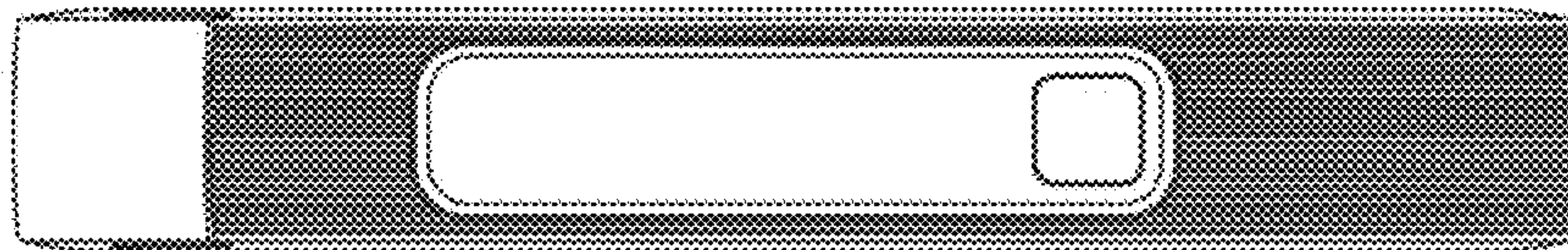


FIG. 4



FIG. 5

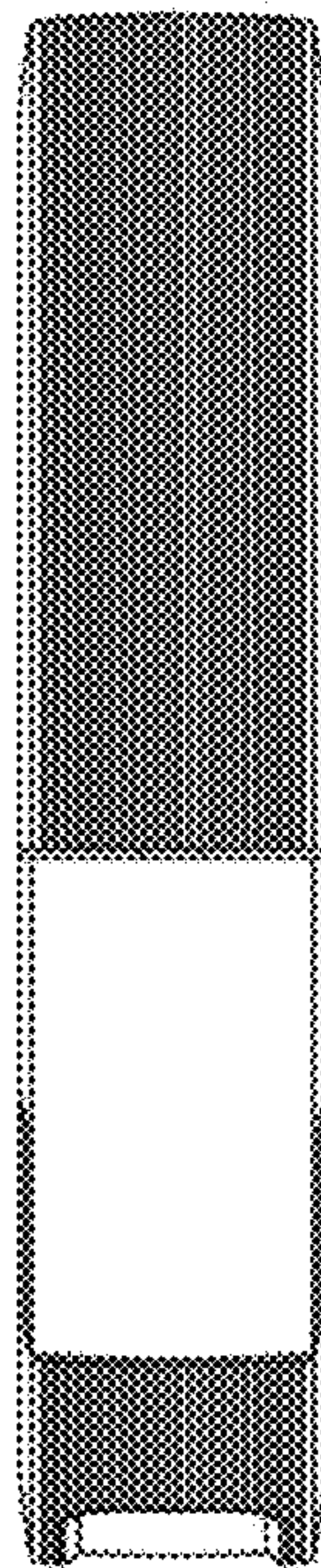


FIG. 6

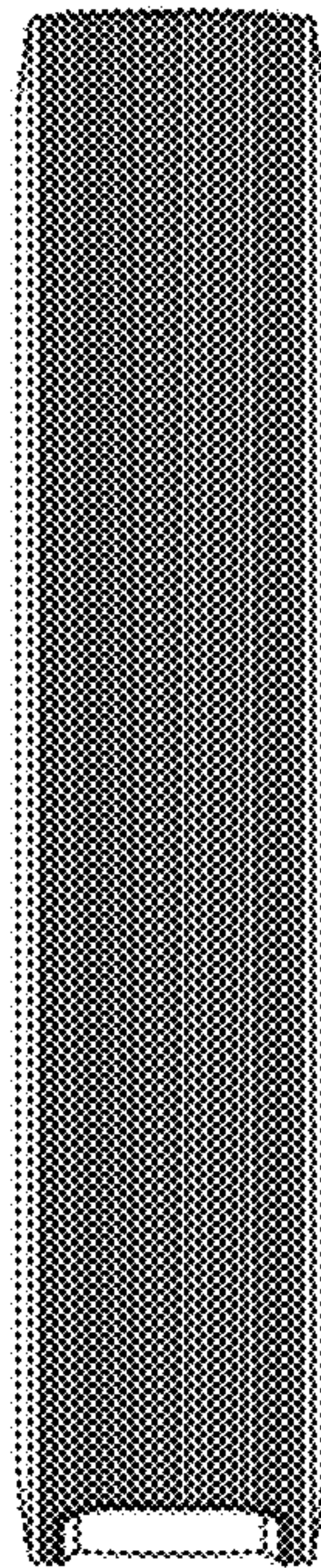


FIG. 7

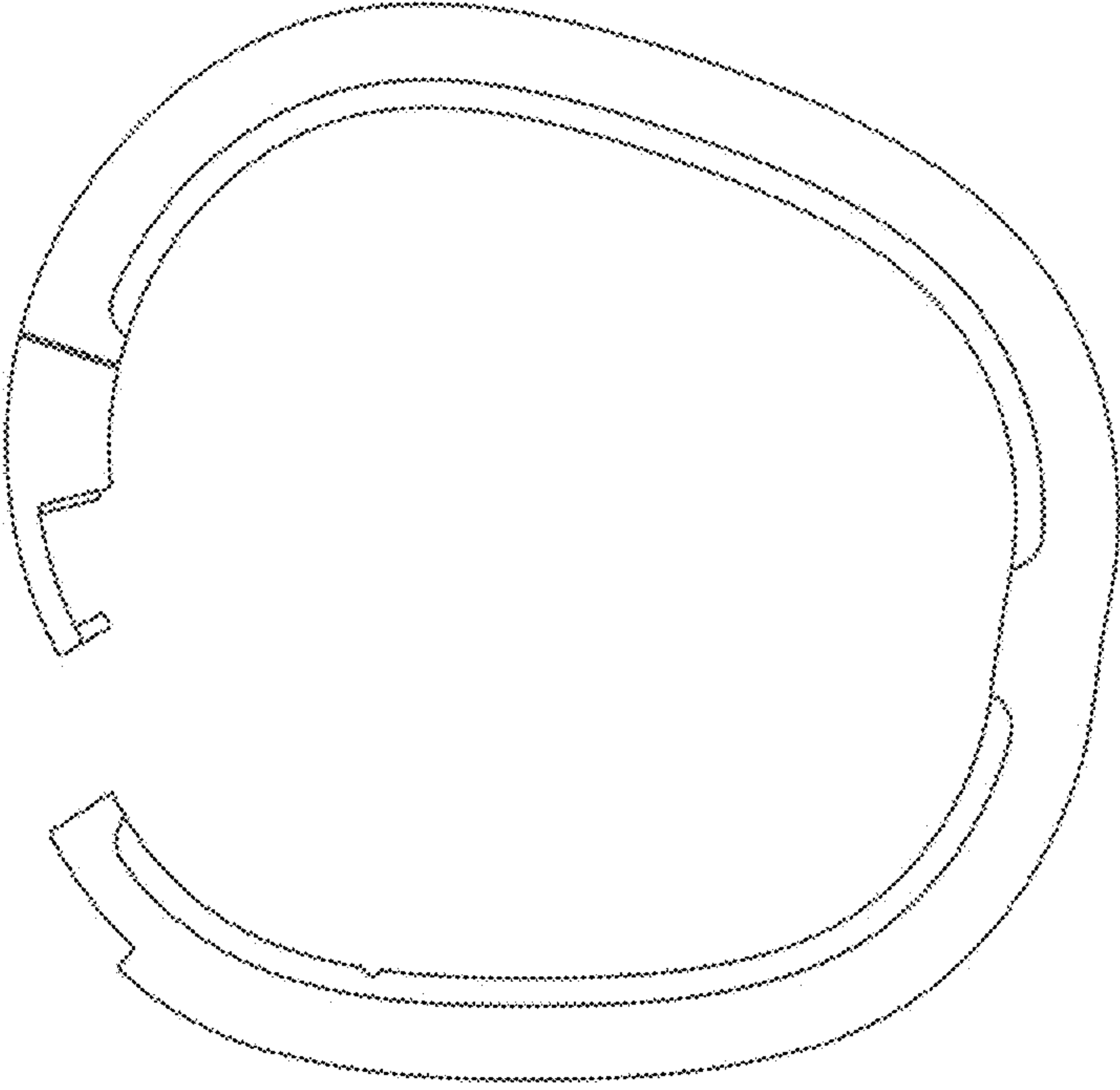


FIG. 8

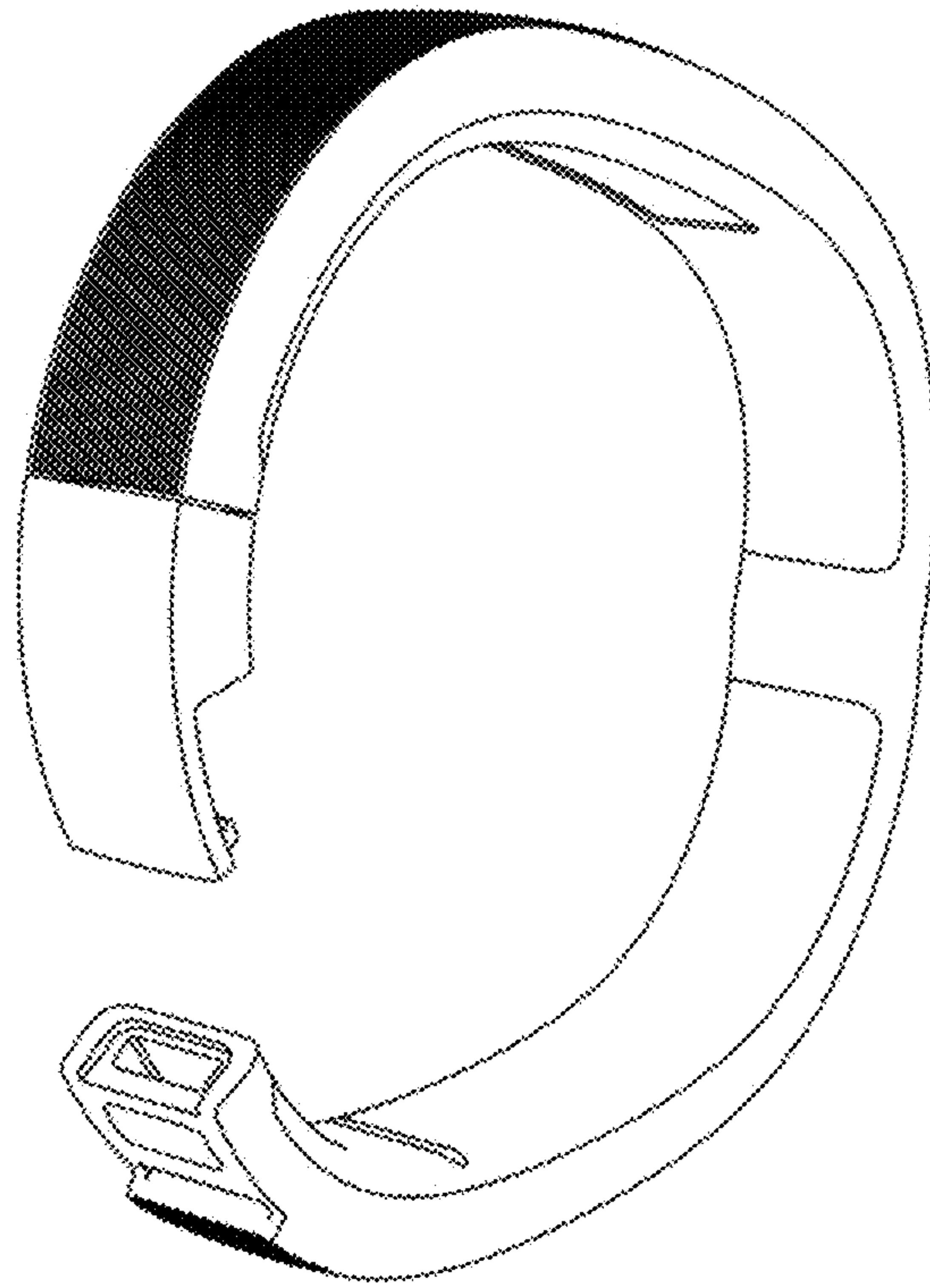


FIG. 9