



US00D737712S

(12) **United States Design Patent**
Dack et al.

(10) **Patent No.:** **US D737,712 S**
(45) **Date of Patent:** **** Sep. 1, 2015**

(54) **BEACON LIGHT**

(71) Applicant: **Lind Equipment Ltd.**, Markham (CA)

(72) Inventors: **Stuart Dack**, Toronto (CA); **Brian Astl**, Toronto (CA); **Sean Van Doorselaer**, Toronto (CA)

(73) Assignee: **LIND EQUIPMENT LTD.**, Markham (CA)

(**) Term: **14 Years**

(21) Appl. No.: **29/488,778**

(22) Filed: **Apr. 23, 2014**

(51) **LOC (10) Cl.** **10-05**

(52) **U.S. Cl.**

USPC **D10/114.2**

(58) **Field of Classification Search**

USPC D10/111, 113.1, 113.4, 109.1,
D10/114.1–114.2, 114.4, 107; D26/97, 91,
D26/28, 37

CPC F21Y 2105/001; F21W 2111/00
See application file for complete search history.

(56) **References Cited**

U.S. PATENT DOCUMENTS

D207,931 S * 6/1967 Huret D10/111
D584,181 S * 1/2009 Poon D10/114.6

(Continued)

FOREIGN PATENT DOCUMENTS

CA 148017 9/2013
CA 148018 9/2013

OTHER PUBLICATIONS

LED Beacon 360 Degree—Youtube; <http://www.youtube.com/playlist?list=PL477B4A5CC92DF750>; Apr. 25, 2014; 2 pages.

(Continued)

Primary Examiner — George D Kirschbaum

(74) *Attorney, Agent, or Firm* — Gowling Lafleur Henderson LLP

(57) **CLAIM**

The ornamental design for a beacon light, as shown and described.

DESCRIPTION

FIG. 1 is an isometric front view of a beacon light showing the new design;

FIG. 2 is a front view of the design of FIG. 1;

FIG. 3 is a right side view of the design of FIG. 1;

FIG. 4 is a left side view of the design of FIG. 1;

FIG. 5 is a top view of the design of FIG. 1;

FIG. 6 is a bottom view of the design of FIG. 1;

FIG. 7 is a back view of the design of FIG. 1;

FIG. 8 is an isometric bottom view of the design of FIG. 1;

FIG. 9 is an isometric front view of a second embodiment of a beacon light showing the new design;

FIG. 10 is a front view of the design of FIG. 9;

FIG. 11 is a right side view of the design of FIG. 9;

FIG. 12 is a left side view of the design of FIG. 9;

FIG. 13 is a top view of the design of FIG. 9;

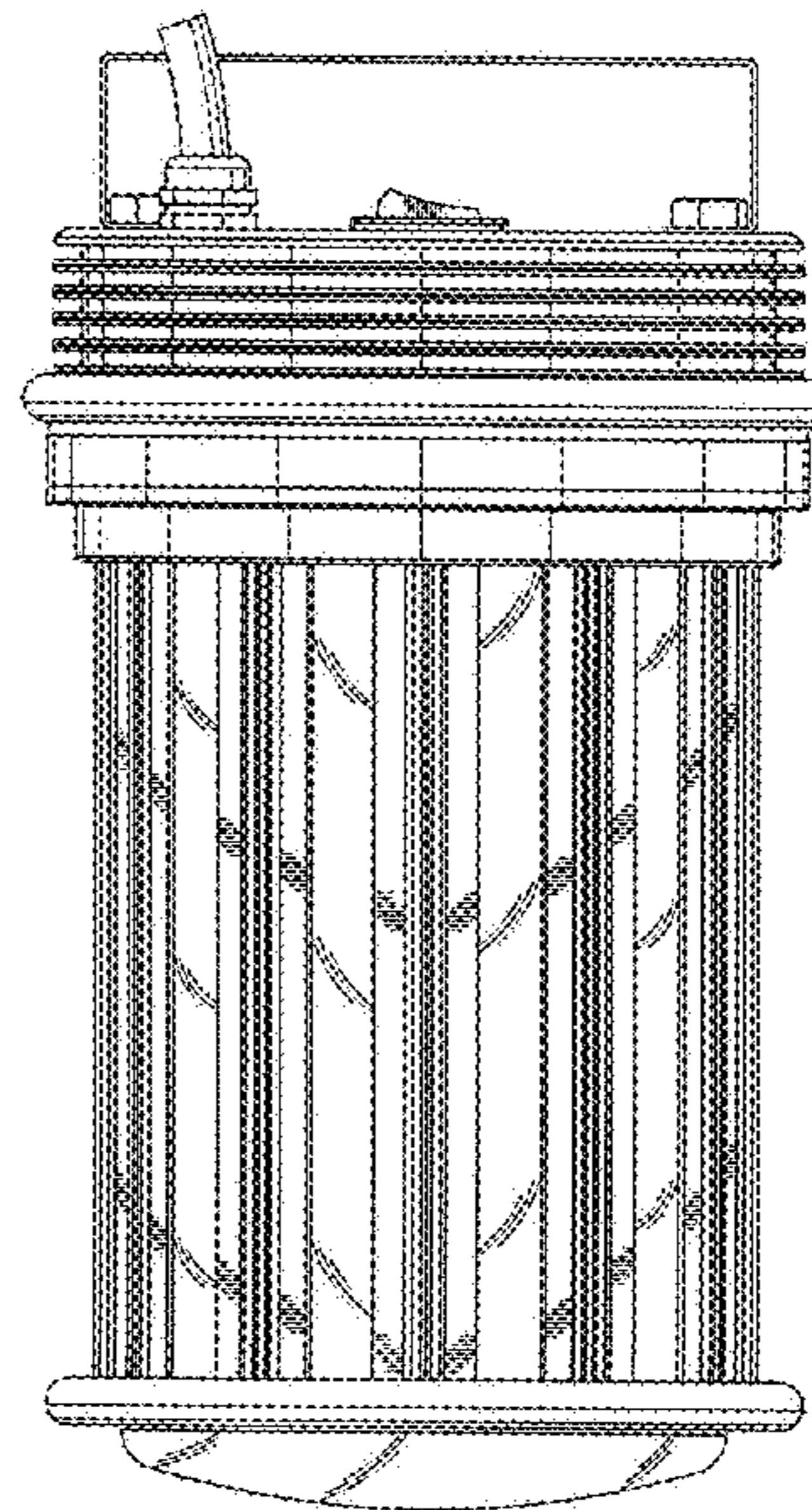
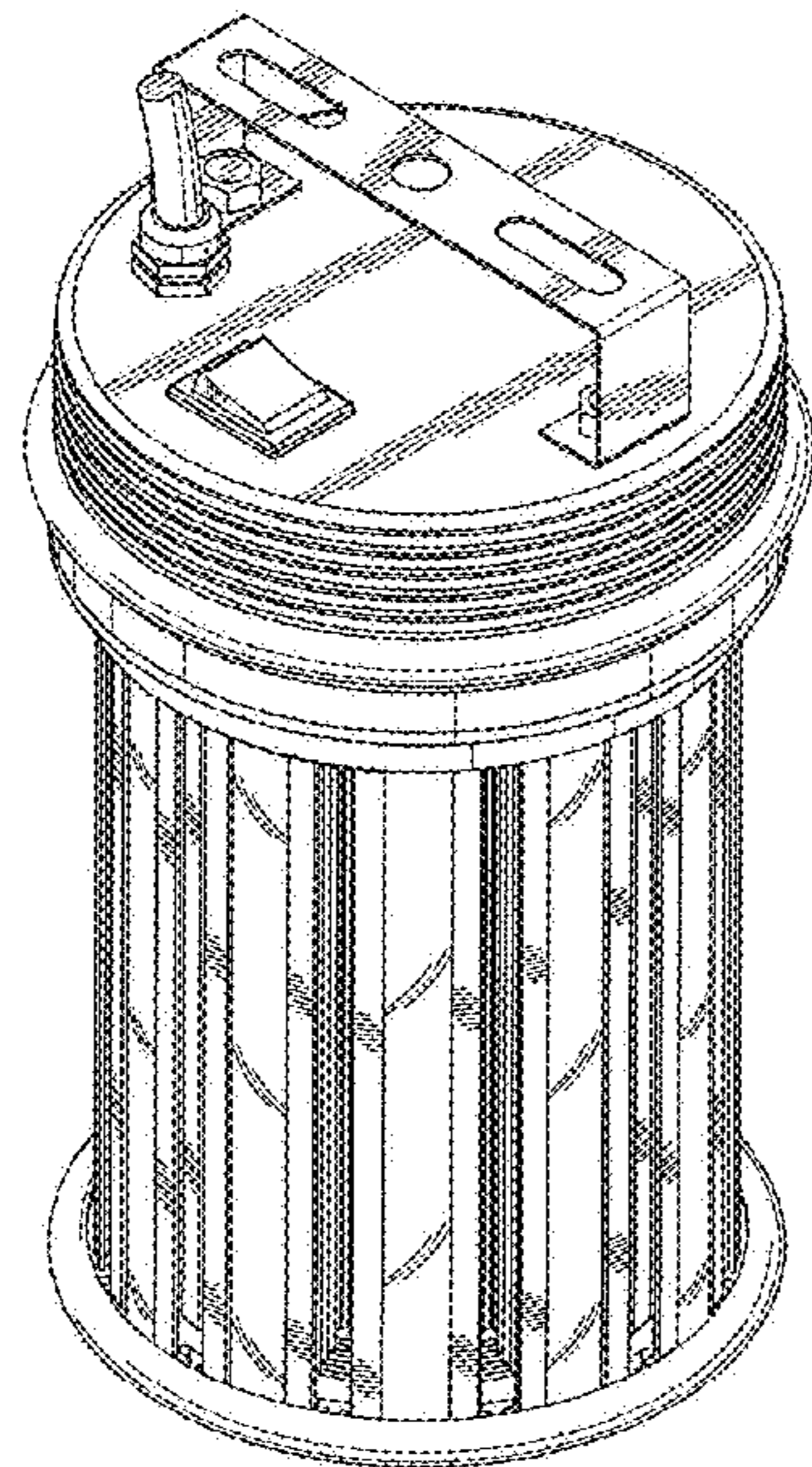
FIG. 14 is a bottom view of the design of FIG. 9;

FIG. 15 is a back view of the design of FIG. 9; and,

FIG. 16 is an isometric bottom view of the design of FIG. 9.

The broken line showing of elements in FIGS. 9-16 is included for the purpose of illustrating portions of the “article” and forms no part of the claimed design.

1 Claim, 16 Drawing Sheets



(56)

References Cited

U.S. PATENT DOCUMENTS

D673,475 S * 1/2013 Di Giovine D10/114.2
D701,466 S * 3/2014 Clifford et al. D10/114.2

OTHER PUBLICATIONS

Amazon.com: Grote 77443 Supernova LED Material Handling Beacon Light: Automotive; <http://www.amazon.com/Grote-77443-SuperNova-Material-Handling/dp/B000FBYKAA>; Apr. 25, 2014; 3 pages.

Bbier Ltd Manufacturing—15W LED Corn Light e27 base 360 degree beam angle; <http://www.bbier.com/15W-LED-Corn-Light-e27-base-360-degree-beam-angle-637.html>; 15 pages.

Shenzhen Bond Optoelectronic Co., Ltd; 6W 9W 9W 12W 15W 18W SMD5050 E27 LED Corn light; <http://bondled.en.alibaba.com/prod->

[uct/492490034-212843851/6W_9W_9W_12W_15W_18W_SMD5050_E27_LED_Corn_light.html](http://bondled.en.alibaba.com/product/492490034-212843851/6W_9W_9W_12W_15W_18W_SMD5050_E27_LED_Corn_light.html); May 13, 2014; 9 pages.
Unistar International Co., Ltd.; Indoor Epistar 3528 SMD LED Core Light, 7W G24 LED Lights 360 Degree Lighting Angle; http://www.ledflood-lighting.com/china-indoor_epistar_3528_smd_led_core_light_7w_g24_led_lights_360_degree_lighting_angle-1021881.html; May 13, 2014; 5 pages.

HKTDC Hong Kong International Lighting Fair (Spring Edition); Hall of Aurora; http://hklightingfairse.hktdc.com/dm/2012/hoa/hoa_list_company.htm; May 13, 2014; 47 pages.

Acklands Grainger; Wobble Light; Light Wobble JR 85W FL 20FT; https://www.acklandsgrainger.com/AGIPortalWeb/WebSource/ProductDisplay/globalProductDetailDisplay.do?item_code=WBLWL85F; May 13, 2014; 2 pages.

Probuilt Professional Lighting, LLC; Defender Eco Uplights; <http://probuiltilighting.com/products/eco-uplight-v2/>; 2014; 2 pages.

* cited by examiner

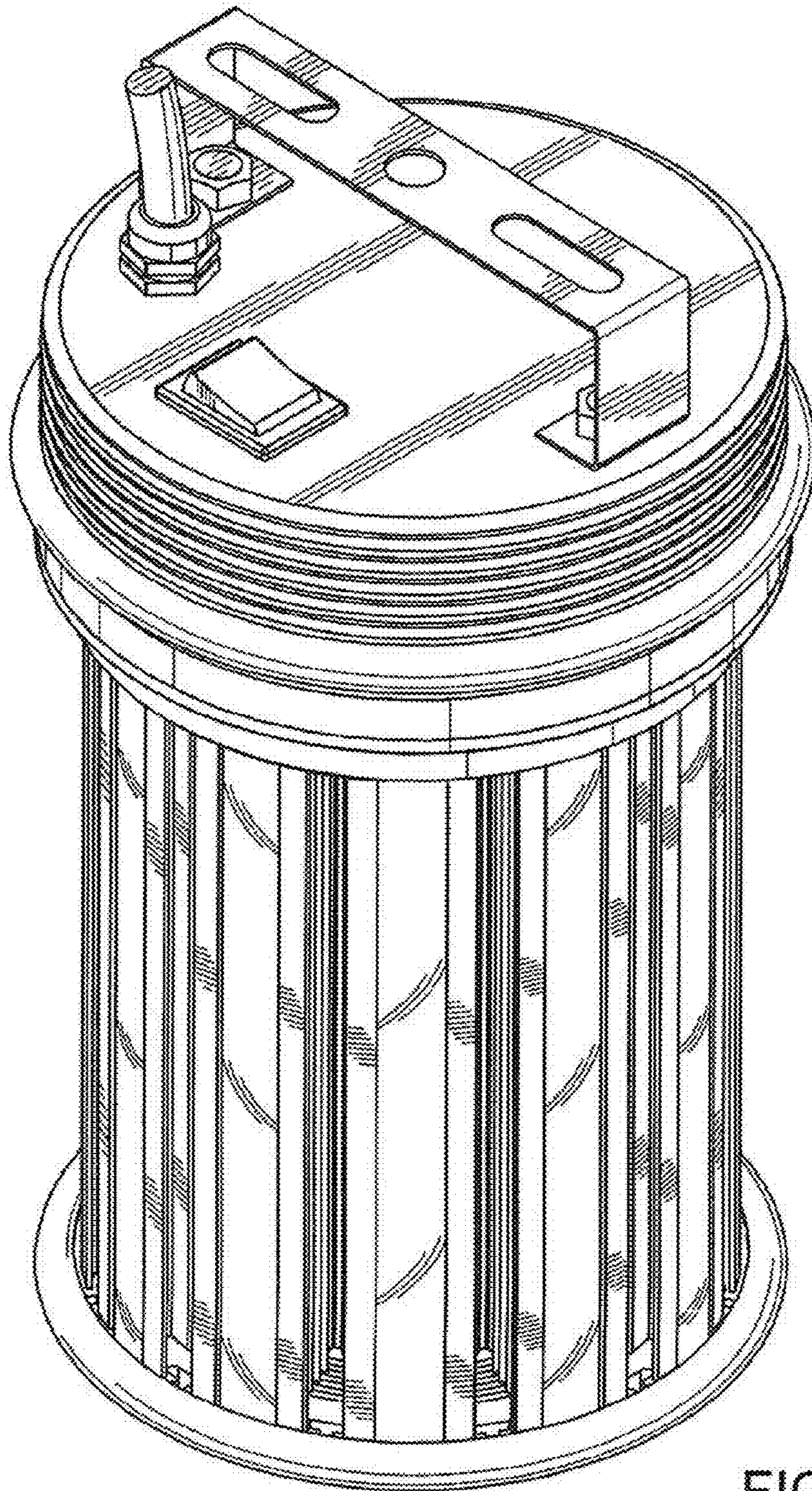


FIG. 1

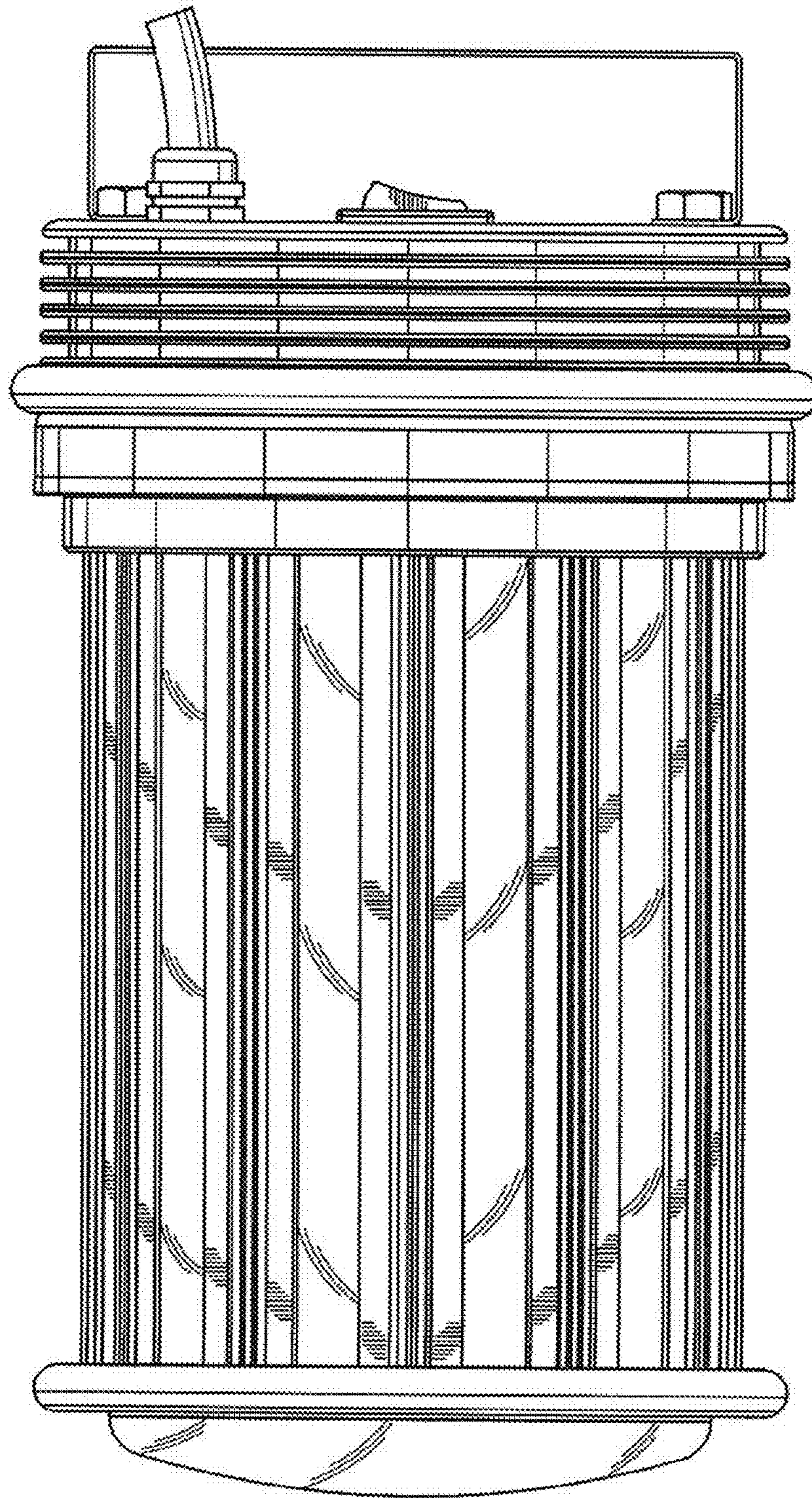


FIG. 2

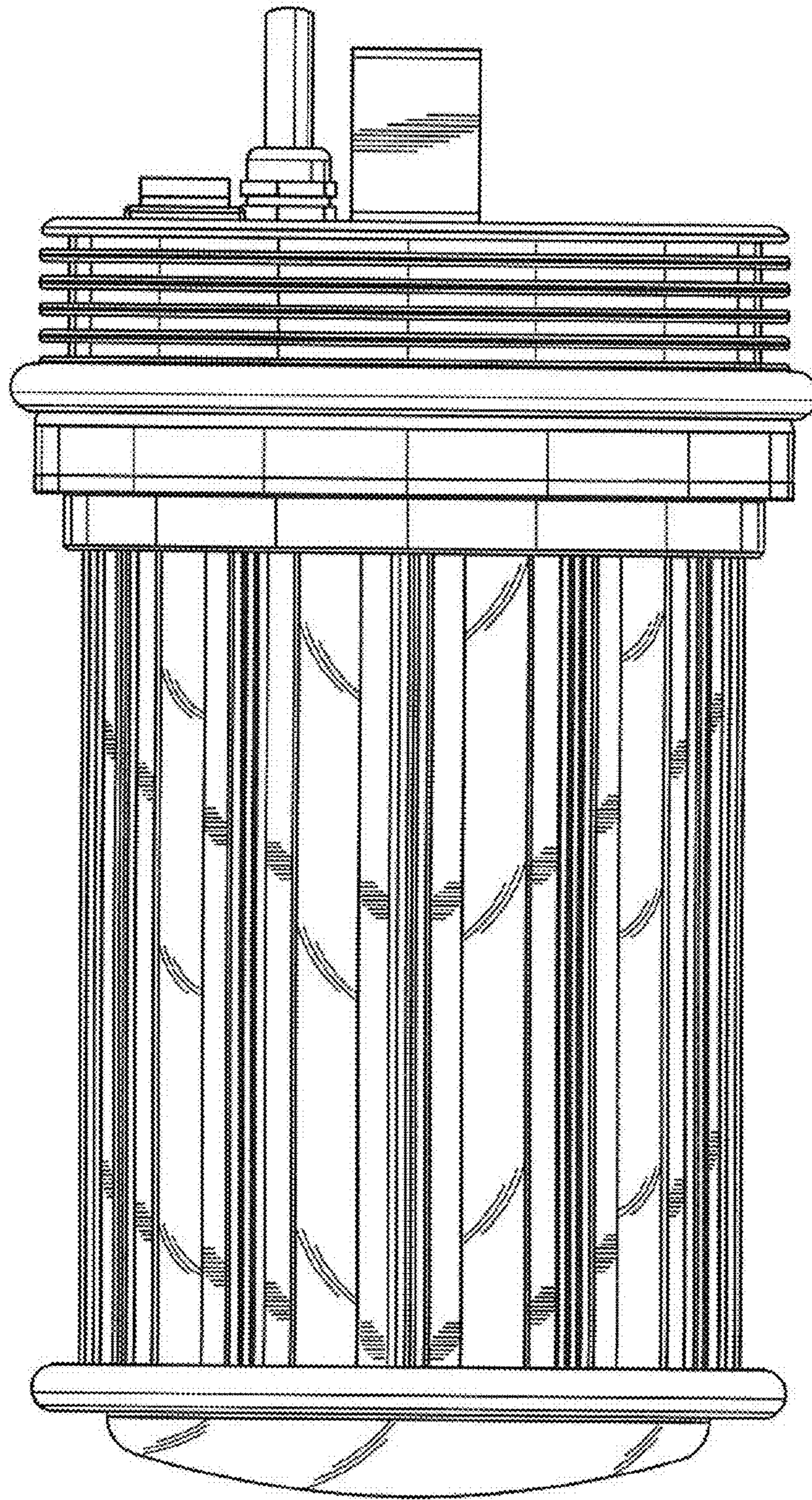


FIG. 3

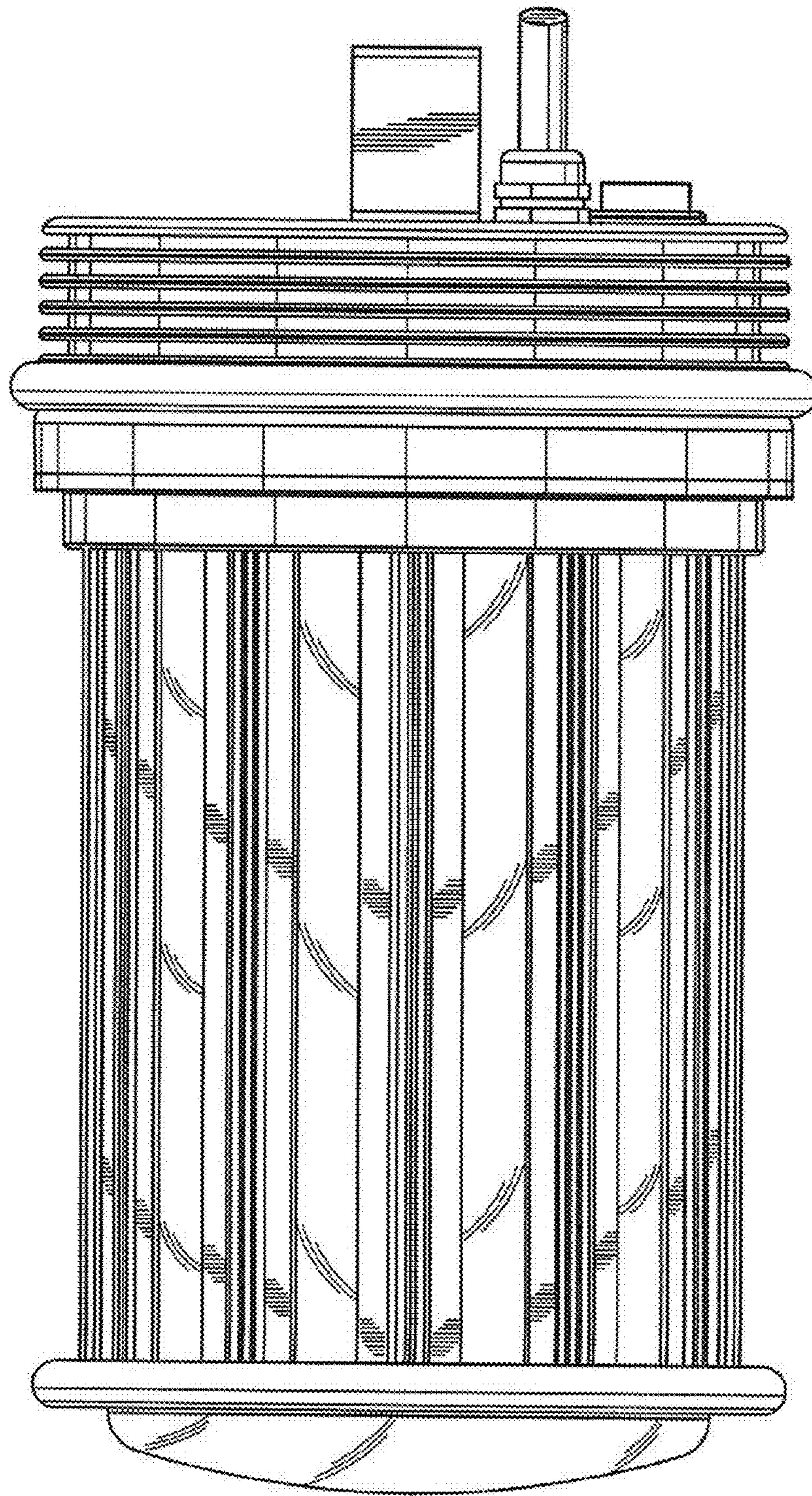


FIG. 4

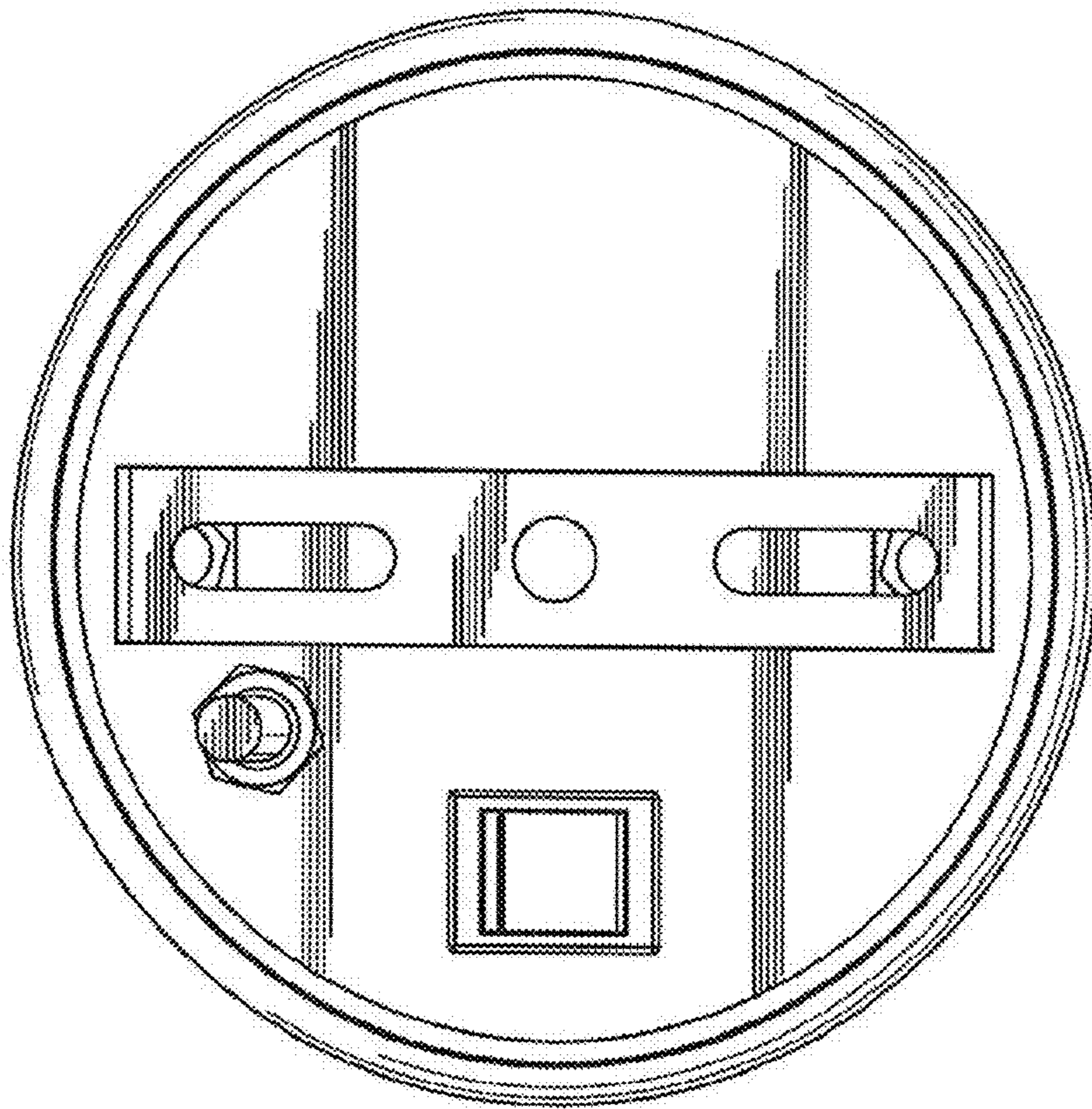


FIG. 5

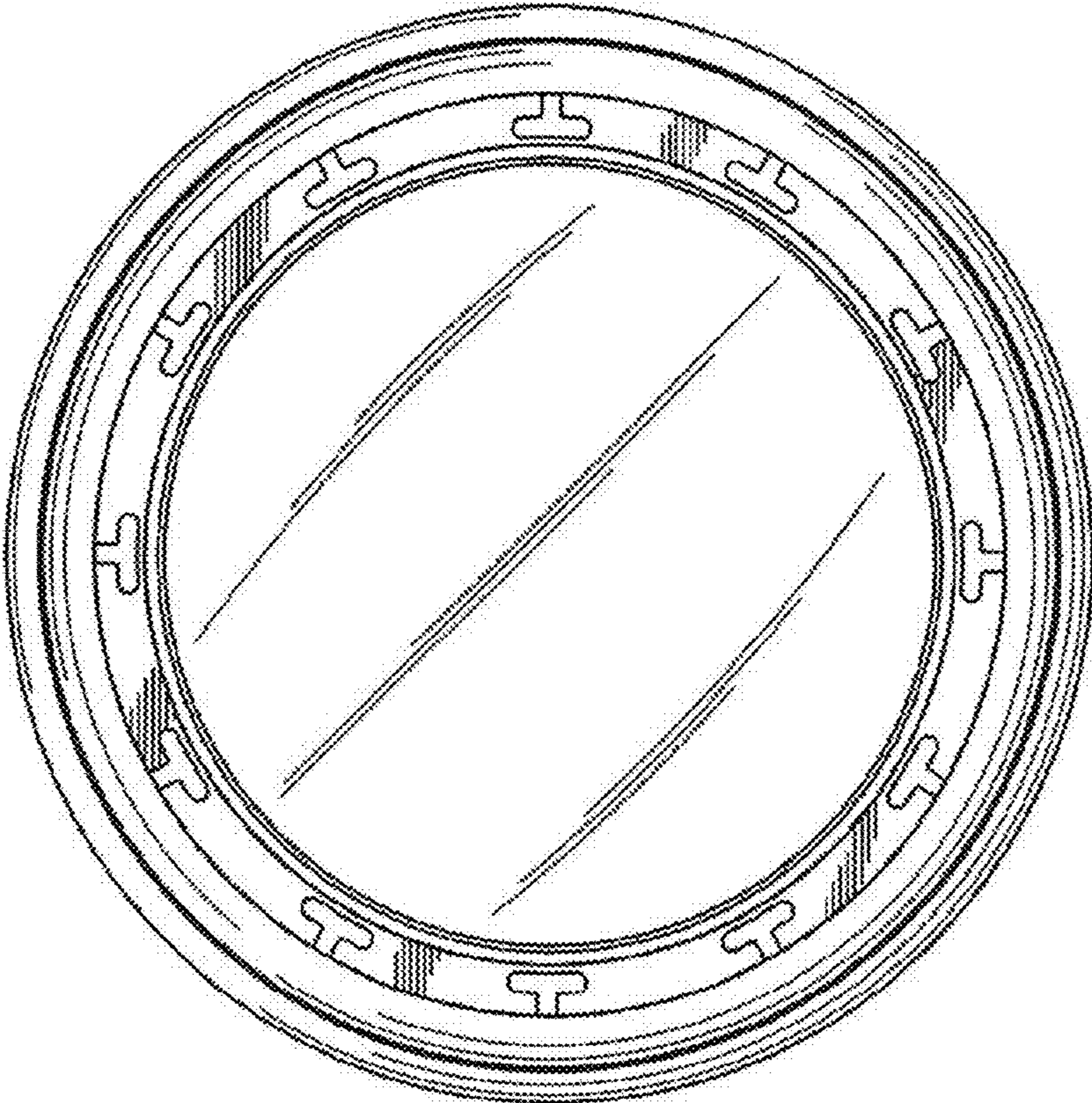


FIG. 6

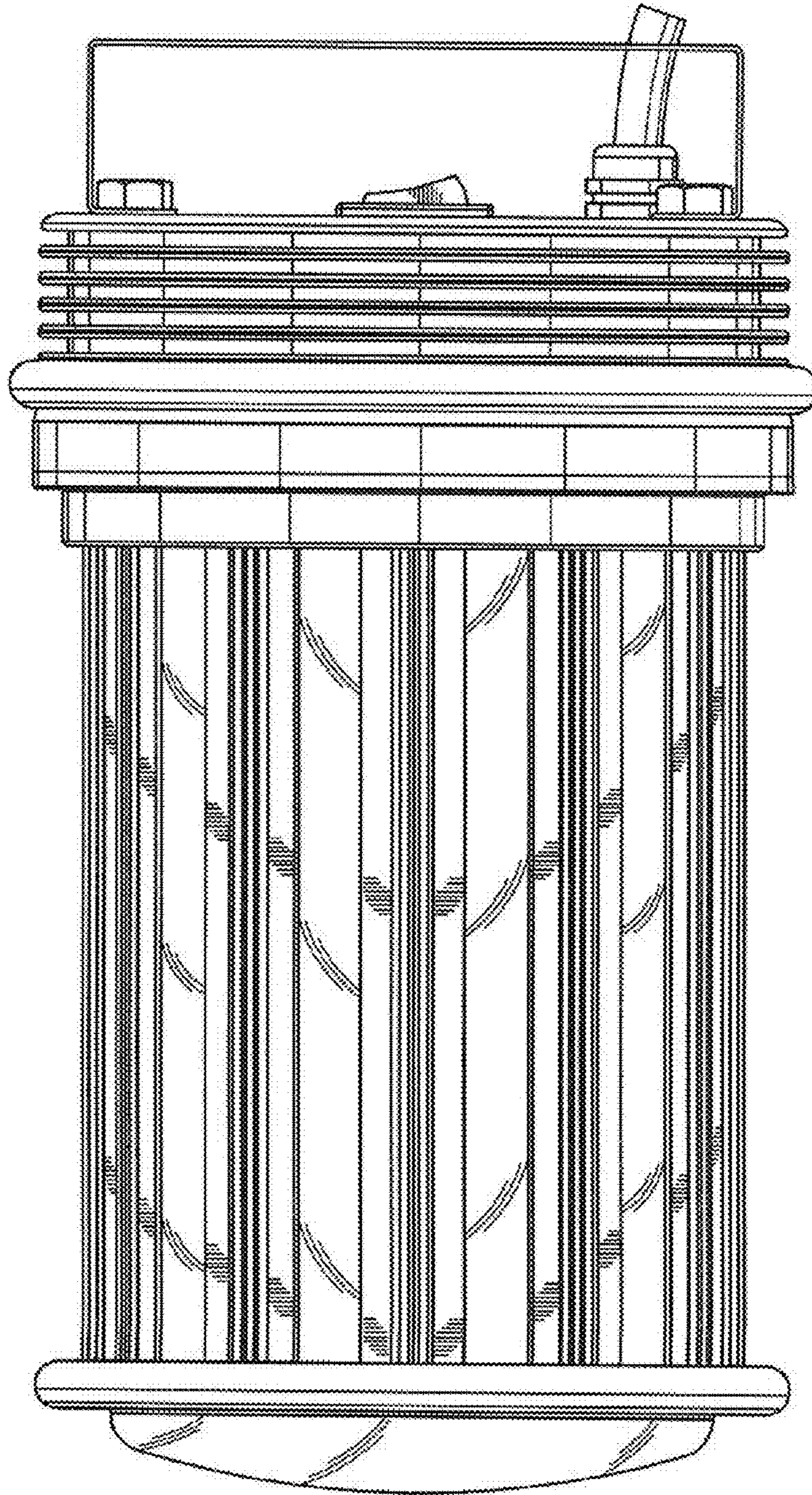


FIG. 7

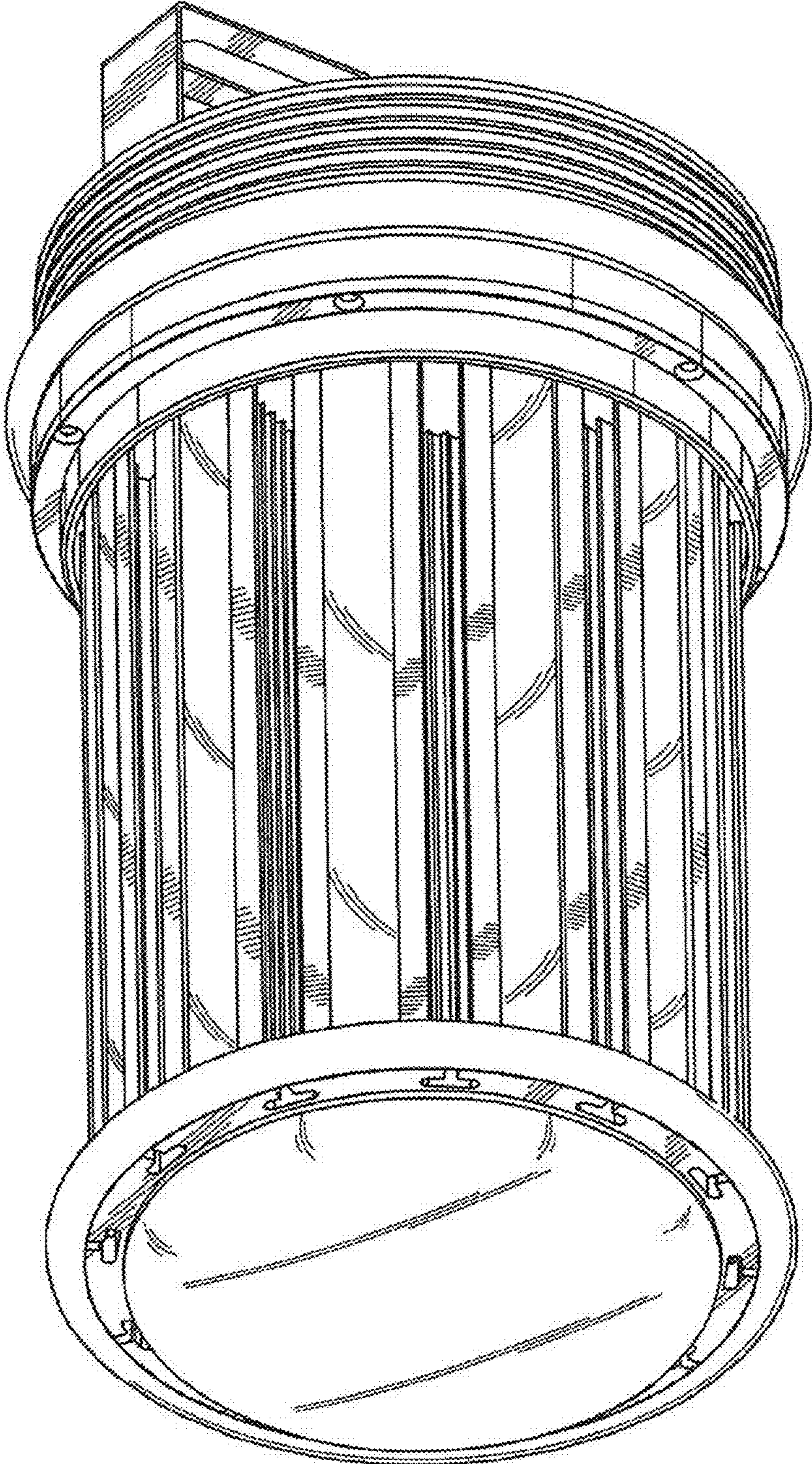


FIG. 8

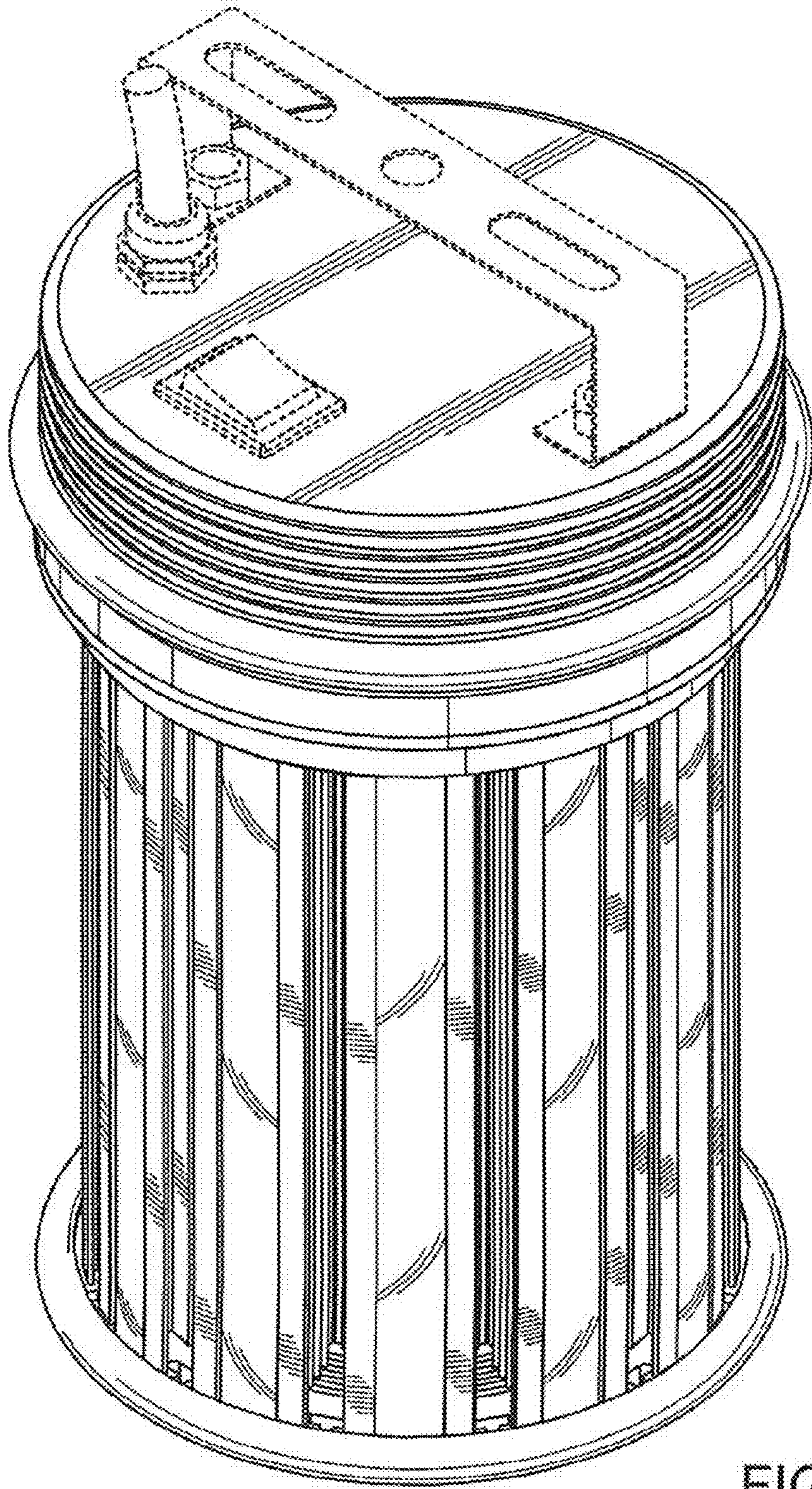


FIG. 9

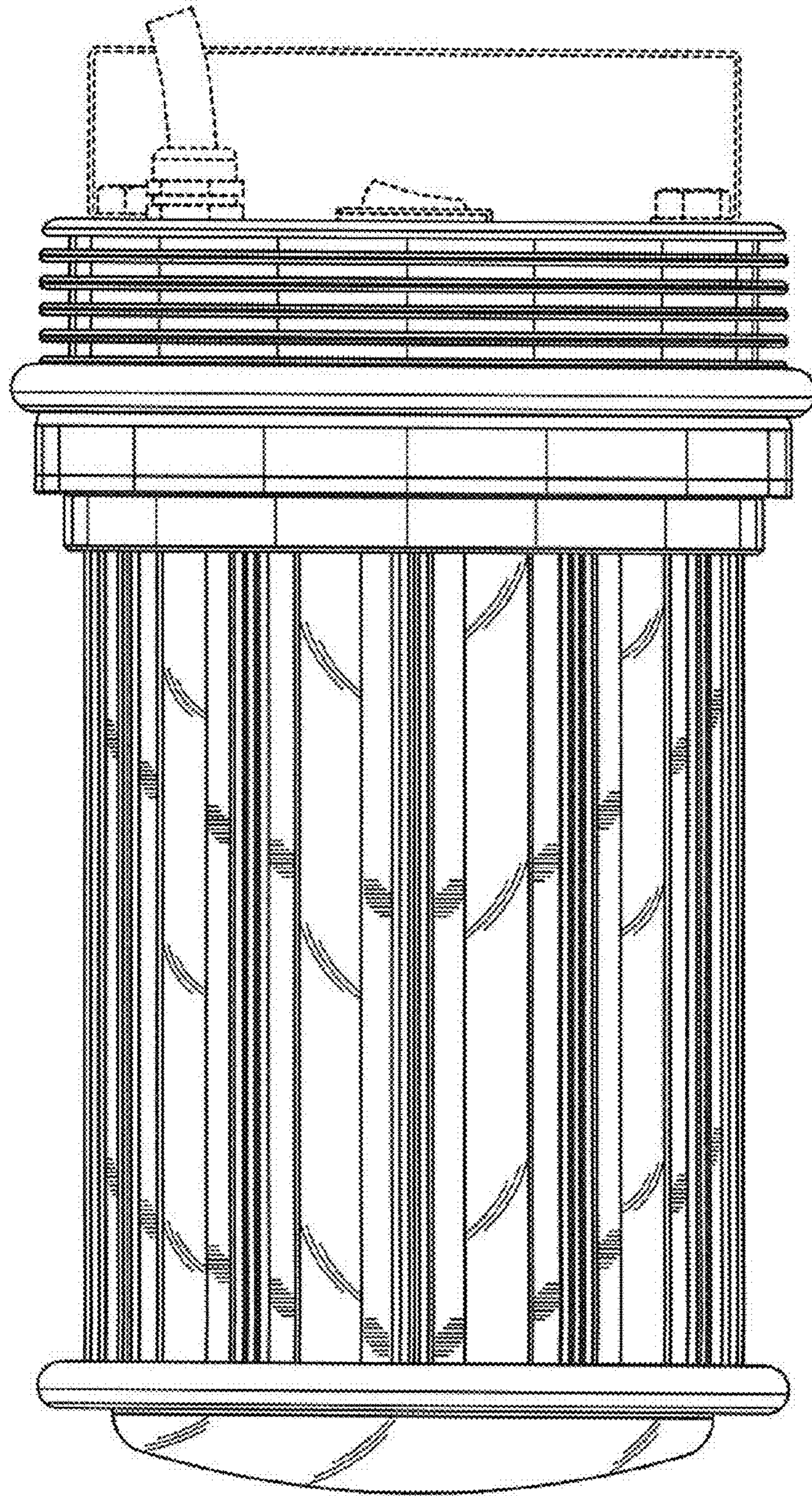


FIG. 10

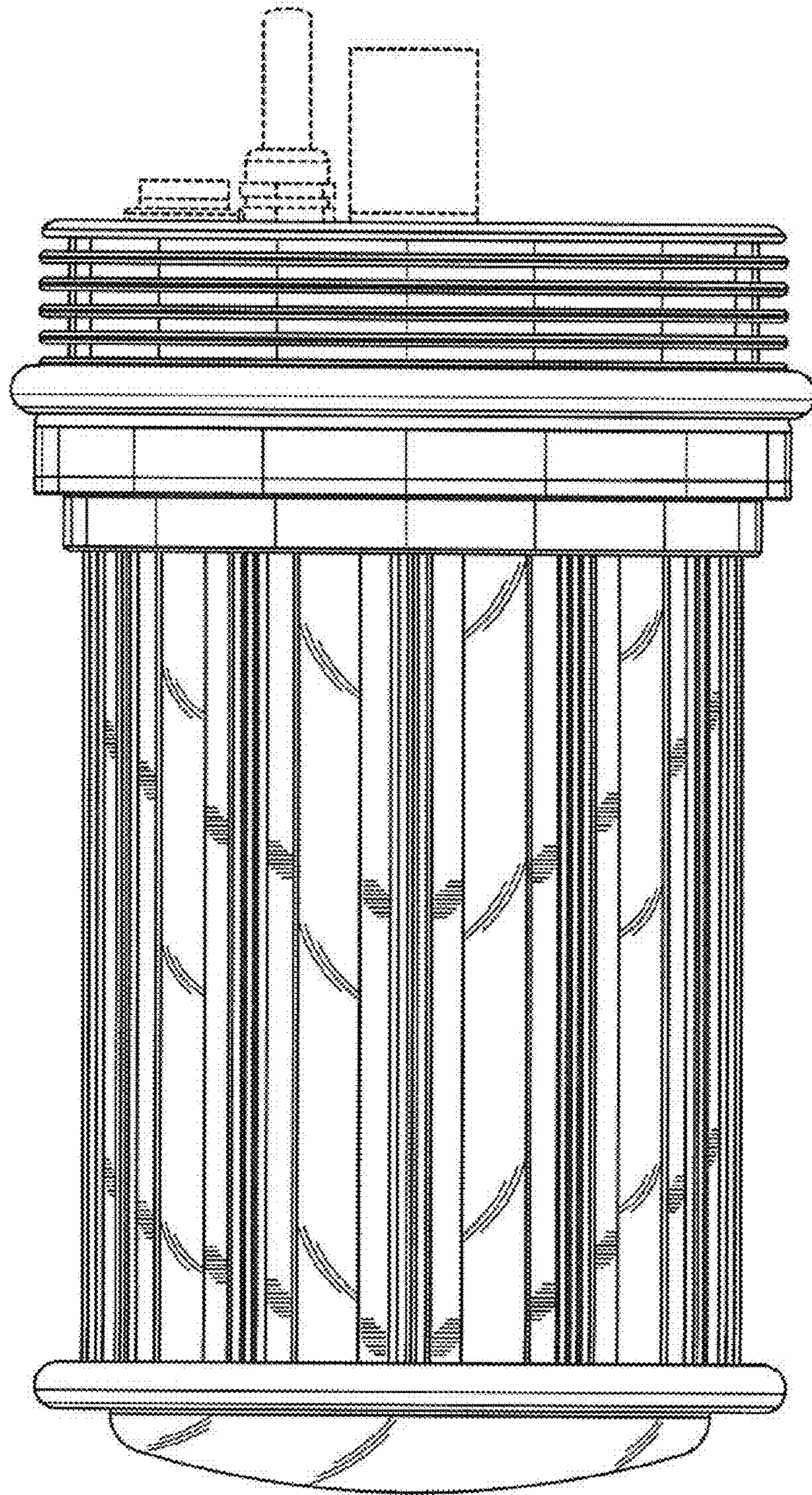


FIG. 11

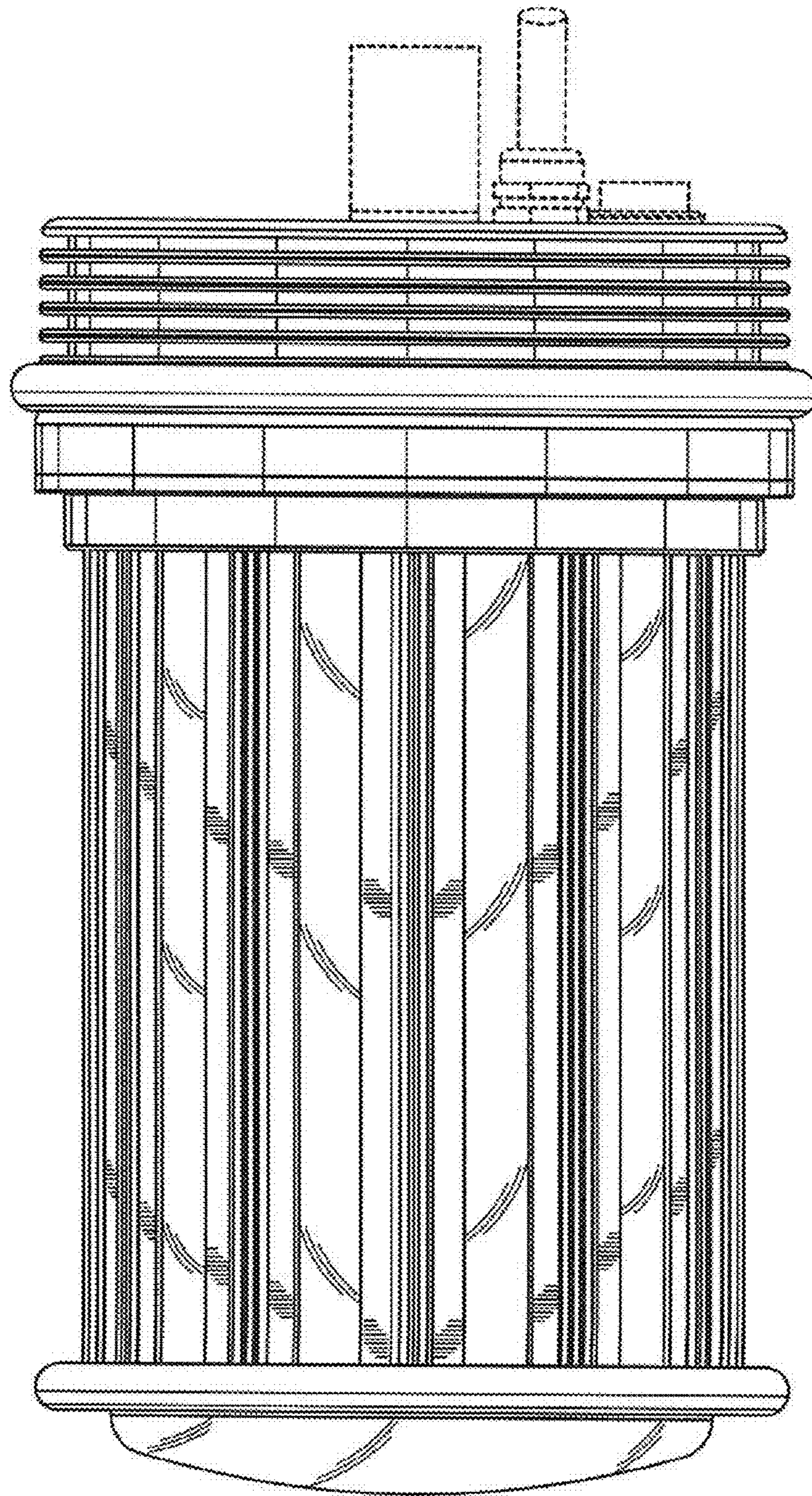


FIG. 12

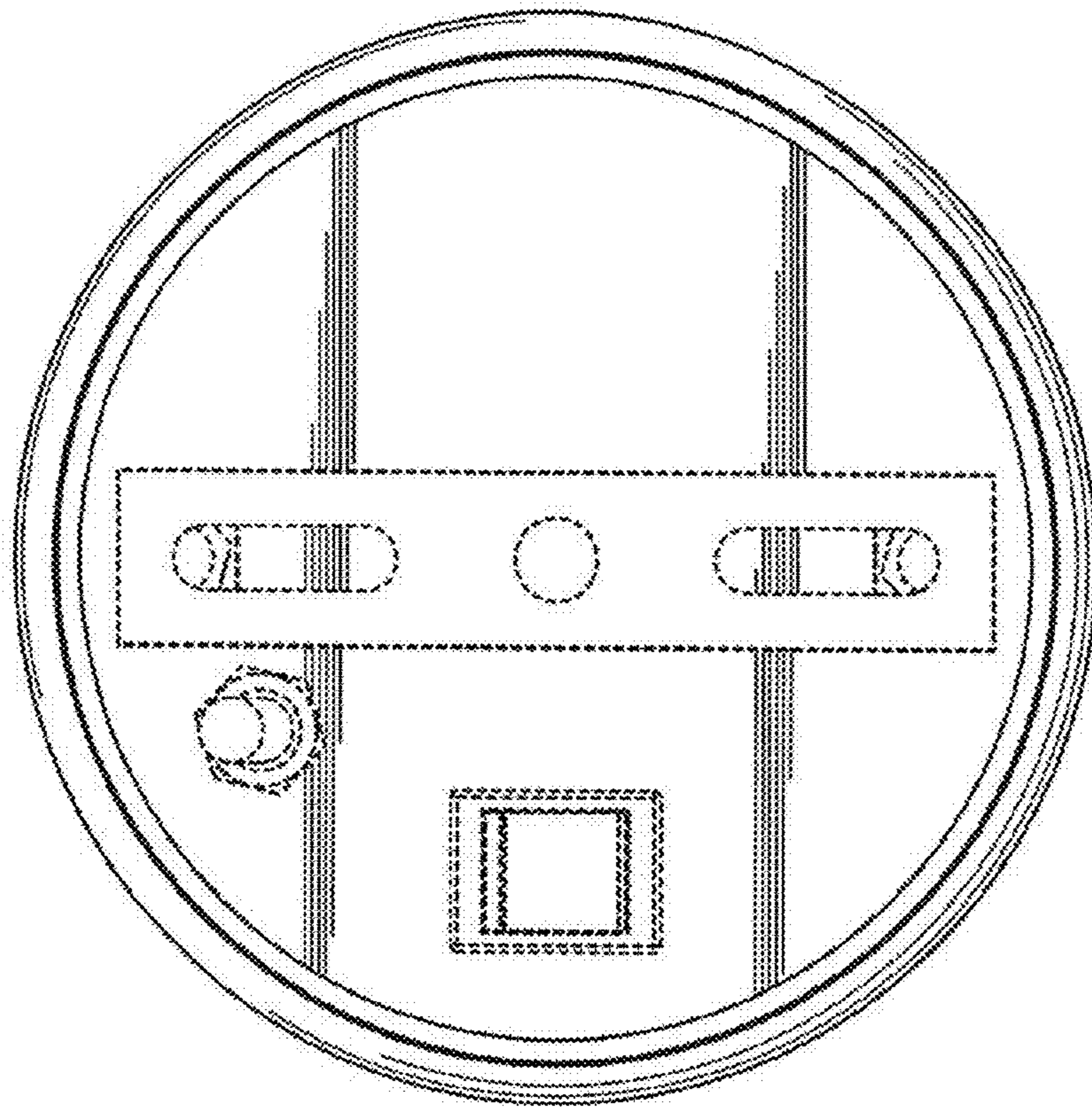


FIG. 13

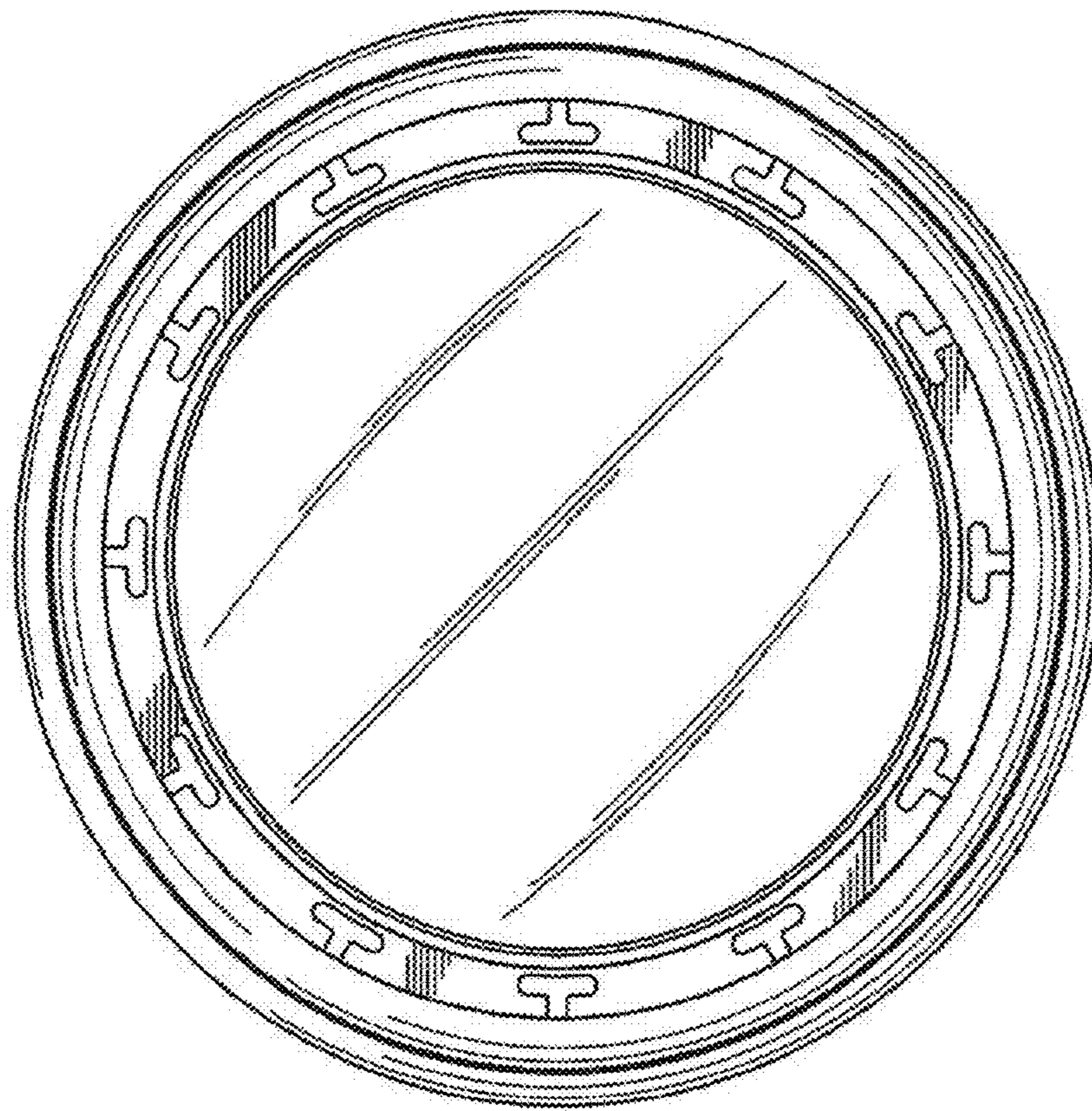


FIG. 14

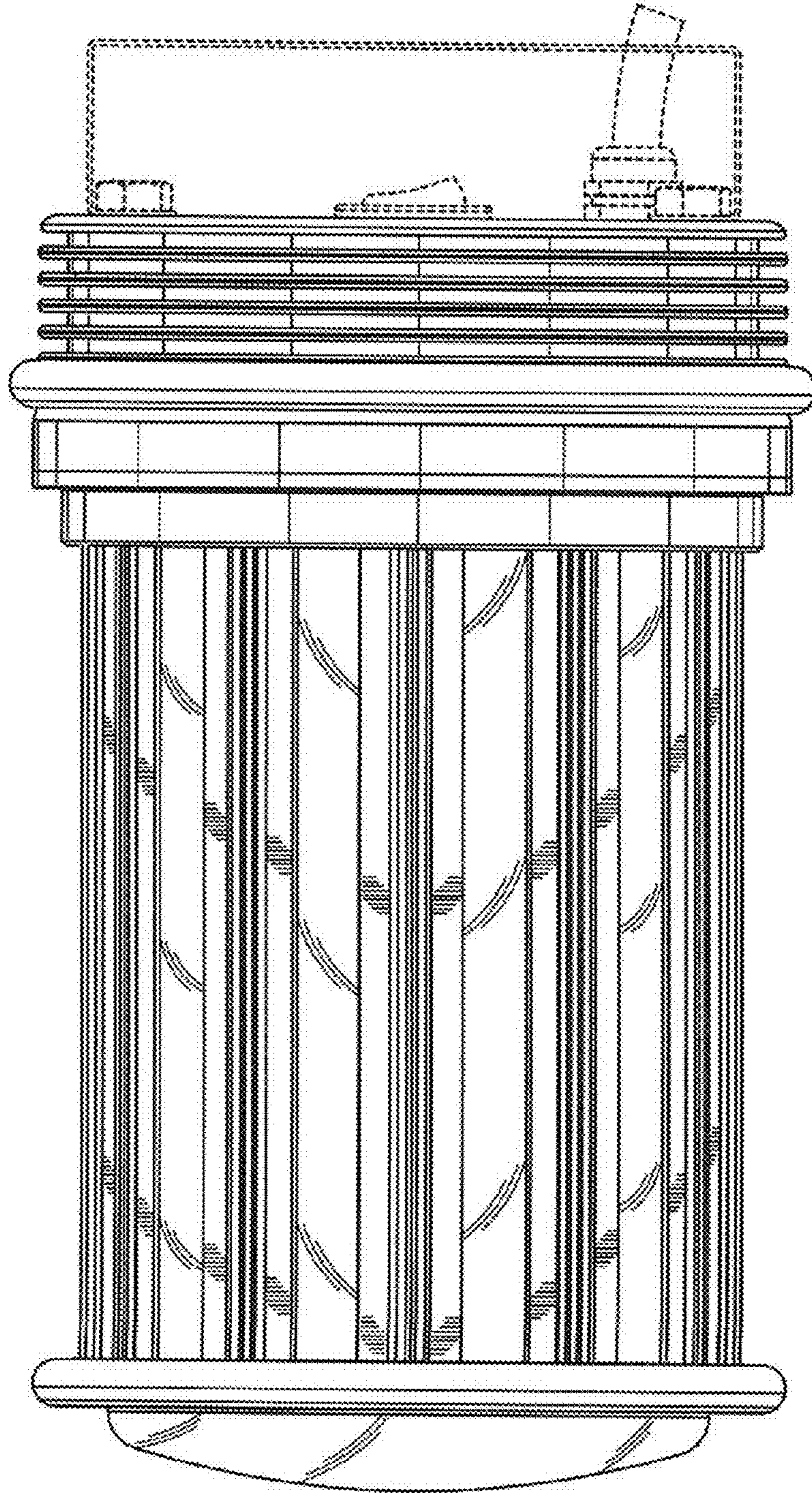


FIG. 15

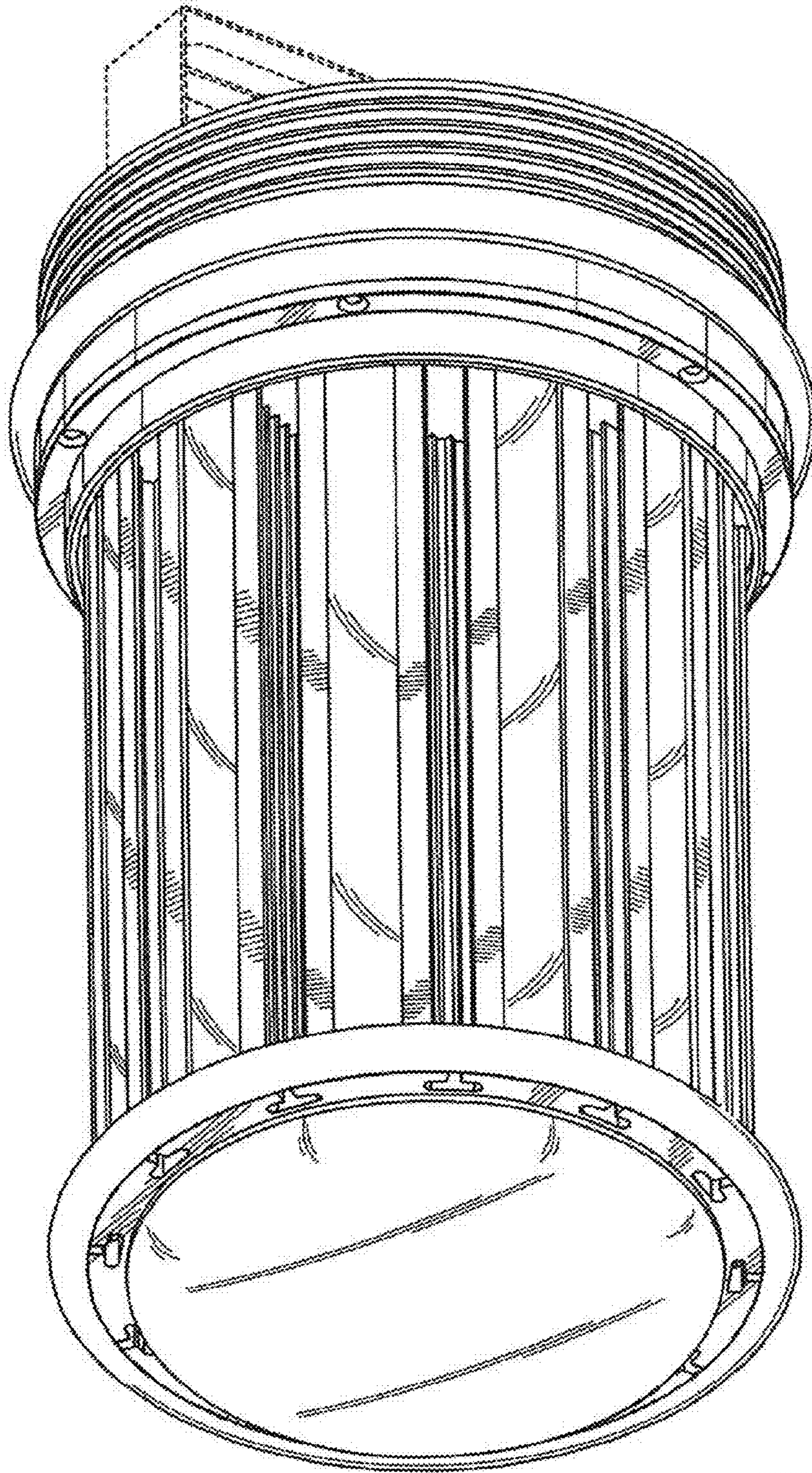


FIG. 16