



US00D737711S

(12) **United States Design Patent**  
**Grimm et al.**

(10) **Patent No.:** **US D737,711 S**

(45) **Date of Patent:** **\*\* Sep. 1, 2015**

(54) **REFLECTOR HOUSING**

(71) Applicant: **ILLINOIS TOOL WORKS INC.**,  
Glenview, IL (US)

(72) Inventors: **Michael B. Grimm**, Evanston, IL (US);  
**Martin J. Nilsen**, Hampshire, IL (US);  
**Christopher A. J. Iannello**, Rolling  
Meadows, IL (US); **Sean P. Forrest**,  
Park Ridge, IL (US)

(73) Assignee: **Illinois Tool Works Inc.**, Glenview, IL  
(US)

(\*\*) Term: **14 Years**

(21) Appl. No.: **29/491,973**

(22) Filed: **May 27, 2014**

(51) **LOC (10) Cl.** ..... **10-05**

(52) **U.S. Cl.**  
USPC ..... **D10/111**

(58) **Field of Classification Search**  
USPC ..... D10/111, 113.1, 113.4, 109.1,  
D10/114.1-114.2, 114.4, 107; D26/97, 91,  
D26/28, 37; D20/10; D12/42

CPC ..... F21V 7/00  
See application file for complete search history.

(56) **References Cited**

U.S. PATENT DOCUMENTS

D245,045 S *	7/1977	Donahue	.....	D20/10
D475,314 S *	6/2003	Shockey	.....	D10/111
D541,193 S *	4/2007	Hart et al.	.....	D12/42
D700,858 S *	3/2014	McDonald	.....	D10/109.1

\* cited by examiner

*Primary Examiner* — George D Kirschbaum

(74) *Attorney, Agent, or Firm* — Paul F. Donovan

(57) **CLAIM**

The ornamental design for a reflector housing, as shown and described.

**DESCRIPTION**

FIG. 1 is a perspective view of the reflector housing showing the new design;

FIG. 2 is a top view thereof;

FIG. 3 is a bottom view thereof;

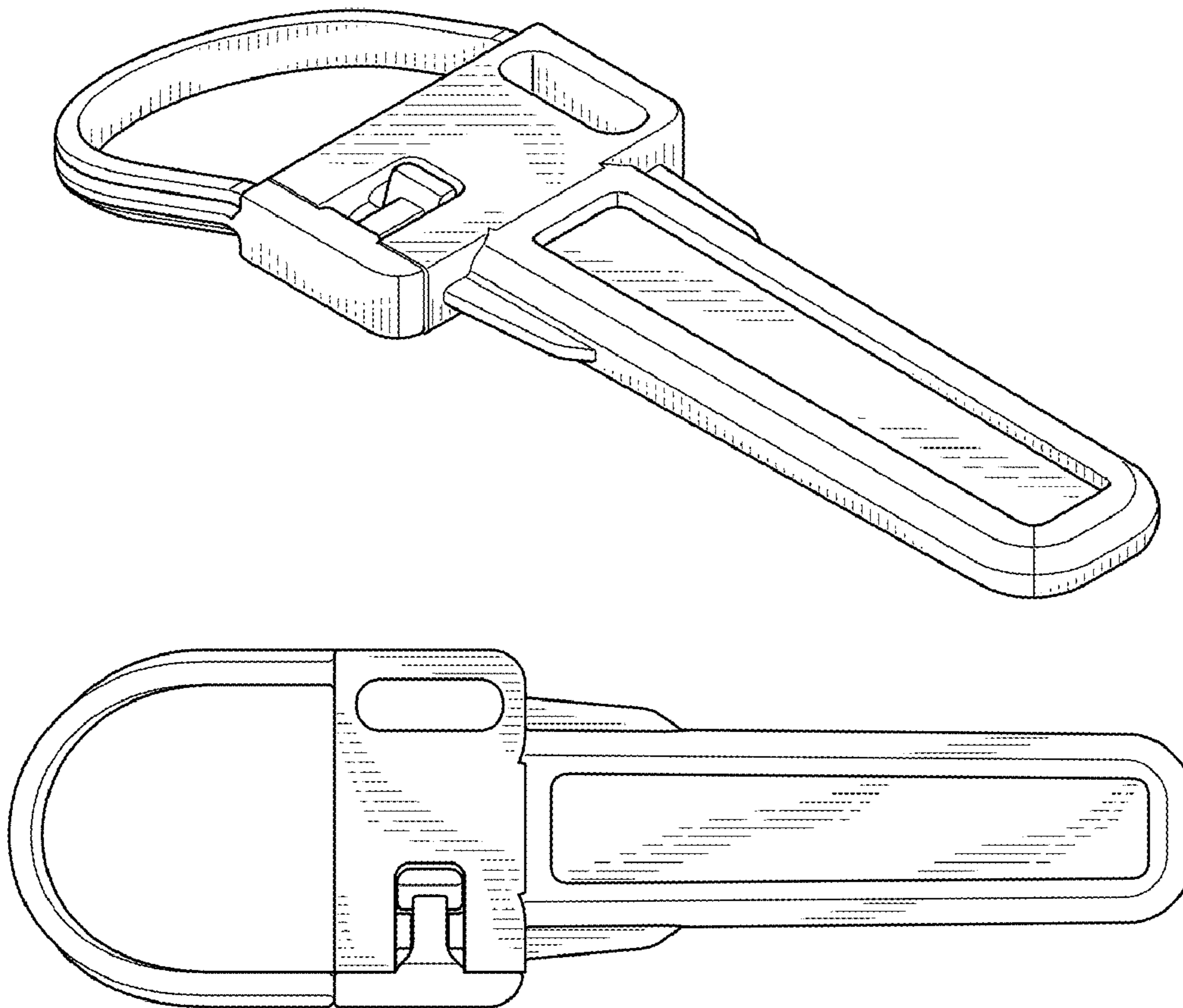
FIG. 4 is a left side view thereof;

FIG. 5 is a right side view thereof;

FIG. 6 is a back view thereof; and,

FIG. 7 is a front view thereof.

**1 Claim, 4 Drawing Sheets**



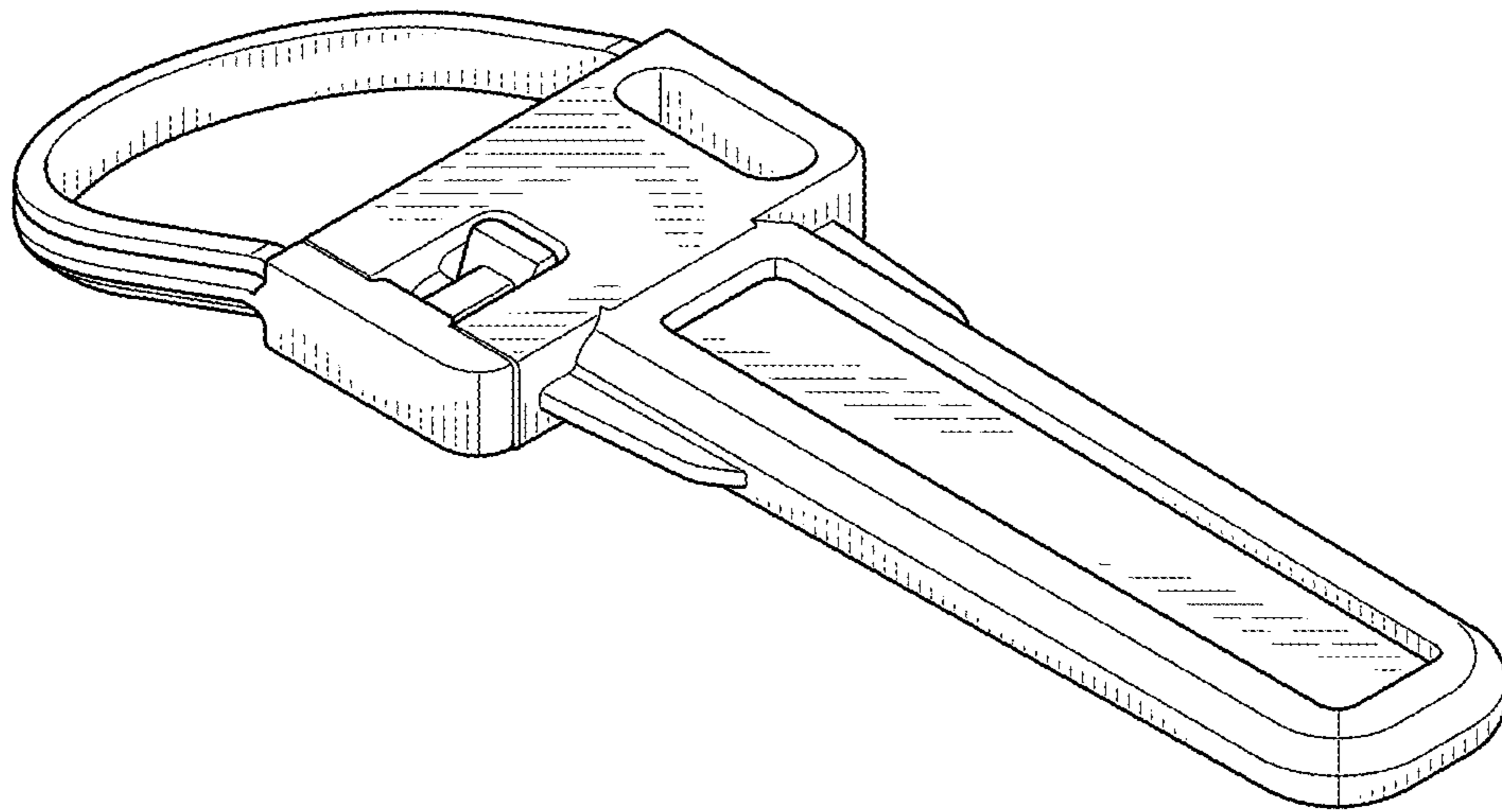


FIG. 1

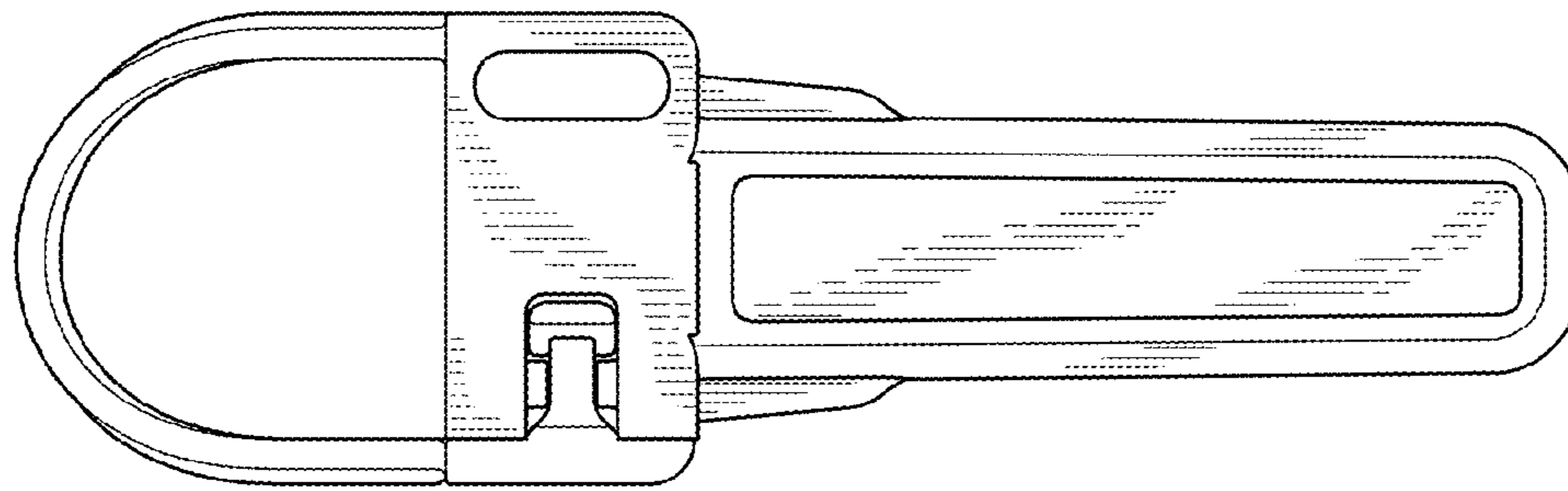


FIG. 2

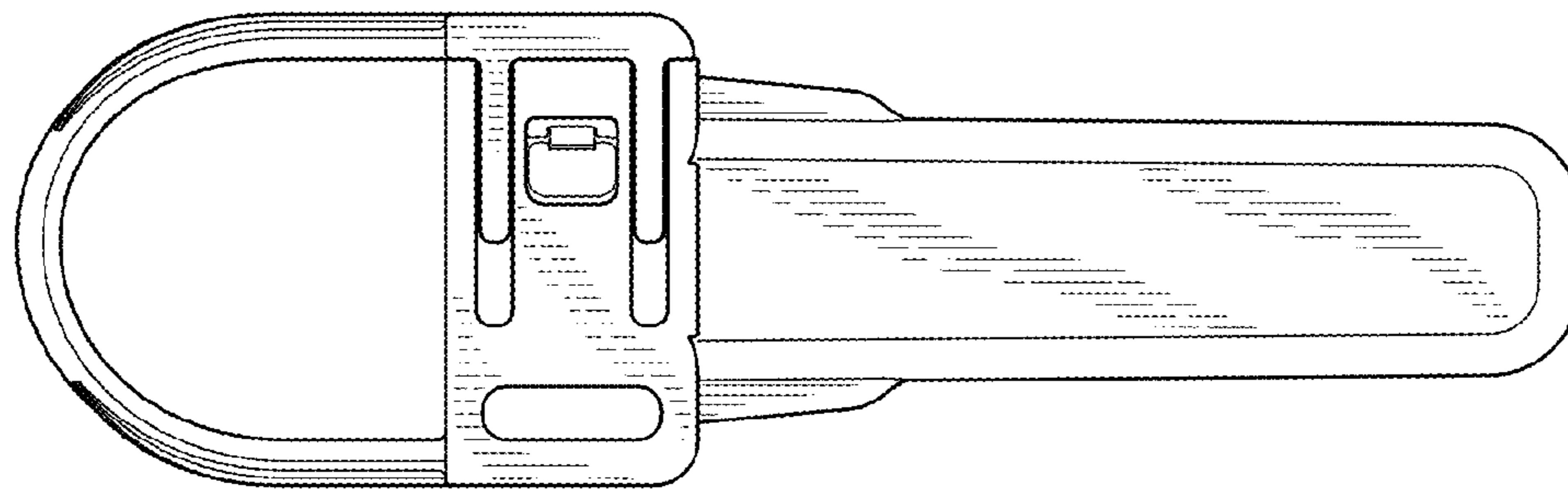


FIG. 3

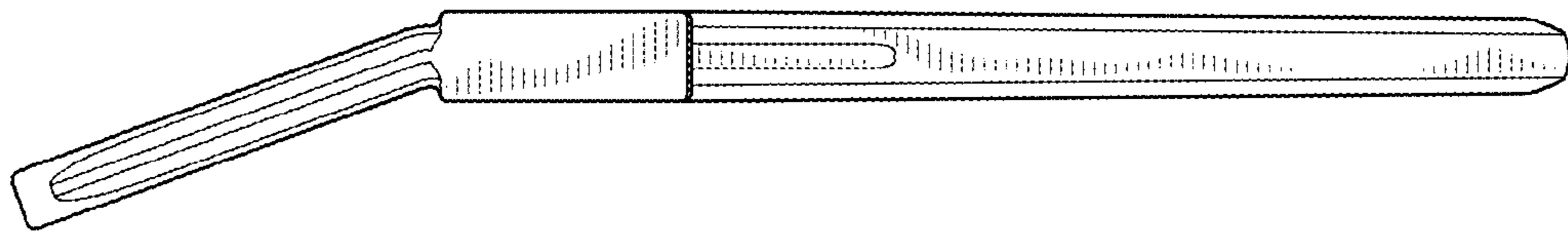


FIG. 4

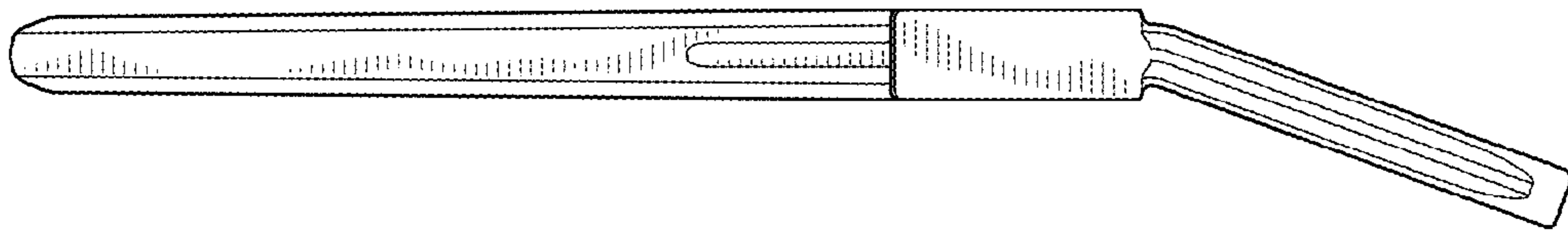


FIG. 5

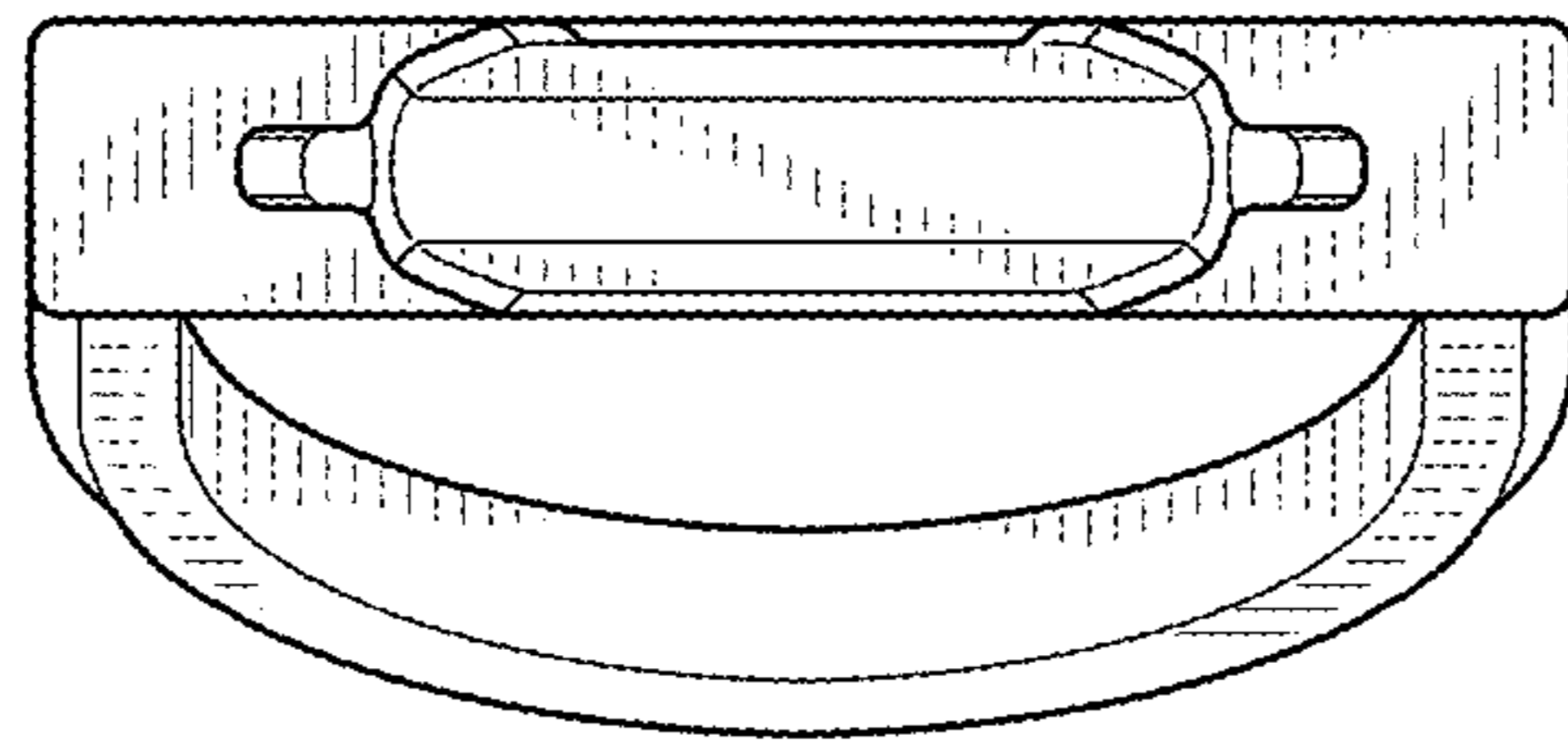


FIG. 6

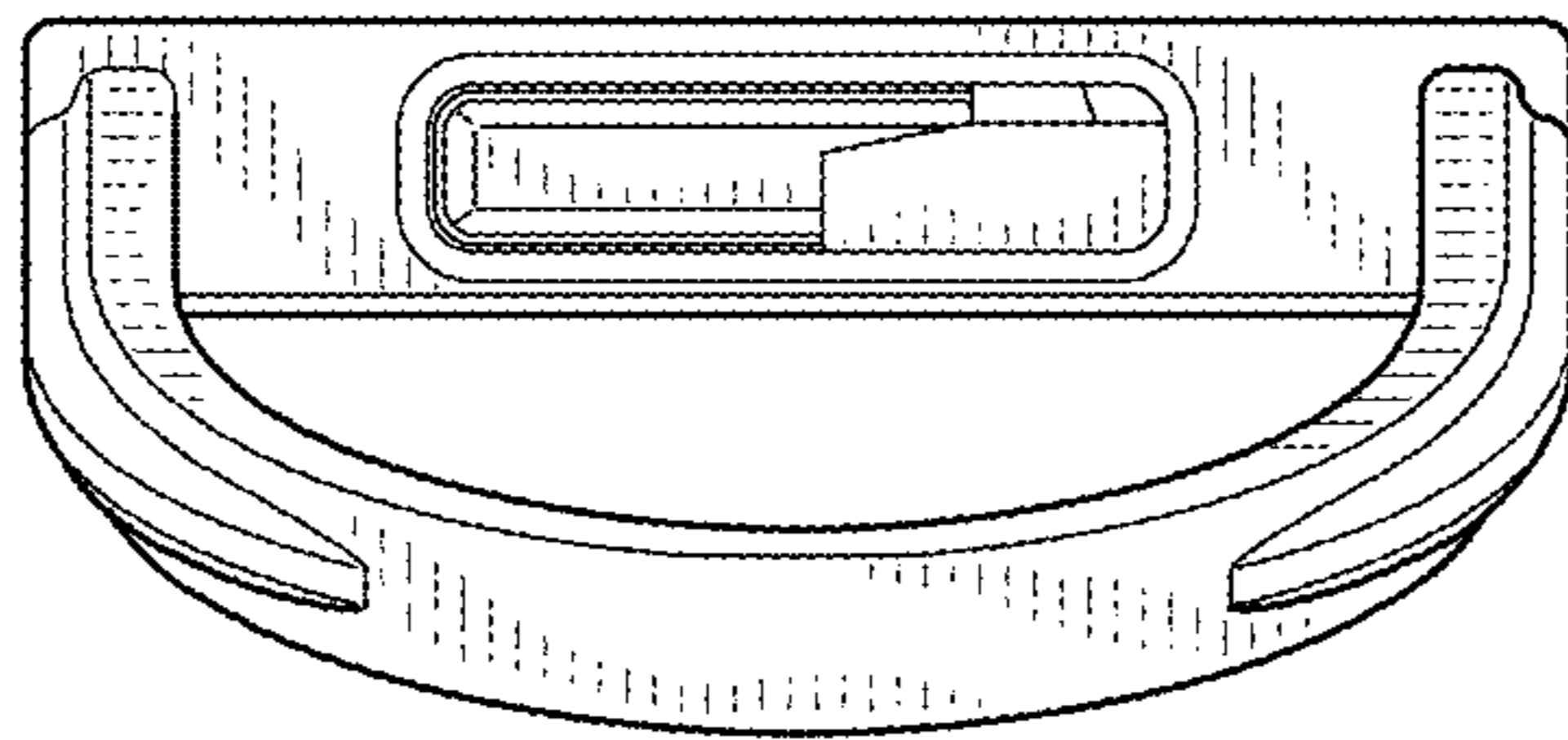


FIG. 7