

US00D737710S

(12) **United States Design Patent**
Grimm et al.

(10) **Patent No.:** **US D737,710 S**

(45) **Date of Patent:** **** Sep. 1, 2015**

(54) **REFLECTOR HOUSING**

(71) Applicant: **ILLINOIS TOOL WORKS INC.**,
Glenview, IL (US)

(72) Inventors: **Michael B. Grimm**, Evanston, IL (US);
Martin J. Nilsen, Hampshire, IL (US);
Christopher A. J. Iannello, Rolling
Meadows, IL (US); **Sean P. Forrest**,
Park Ridge, IL (US)

(73) Assignee: **Illinois Tool Works Inc.**, Glenview, IL
(US)

(**) Term: **14 Years**

(21) Appl. No.: **29/491,965**

(22) Filed: **May 27, 2014**

(51) **LOC (10) Cl.** **10-05**

(52) **U.S. Cl.**
USPC **D10/111**

(58) **Field of Classification Search**
USPC D10/111, 113.1, 113.4, 109.1,
D10/114.1-114.2, 114.4, 107; D26/97, 91,
D26/28, 37
CPC F21V 7/00
See application file for complete search history.

(56) **References Cited**

U.S. PATENT DOCUMENTS

D245,045 S * 7/1977 Donahue D20/10
D475,314 S * 6/2003 Shockey D10/111
D541,193 S * 4/2007 Hart et al. D12/42
D700,858 S * 3/2014 McDonald D10/109.1

* cited by examiner

Primary Examiner — George D Kirschbaum

(74) *Attorney, Agent, or Firm* — Paul F. Donovan

(57) **CLAIM**

The ornamental design for a reflector housing, as shown and described.

DESCRIPTION

FIG. 1 is a perspective view of the reflector housing showing the new design;

FIG. 2 is a top view thereof;

FIG. 3 is a bottom view thereof;

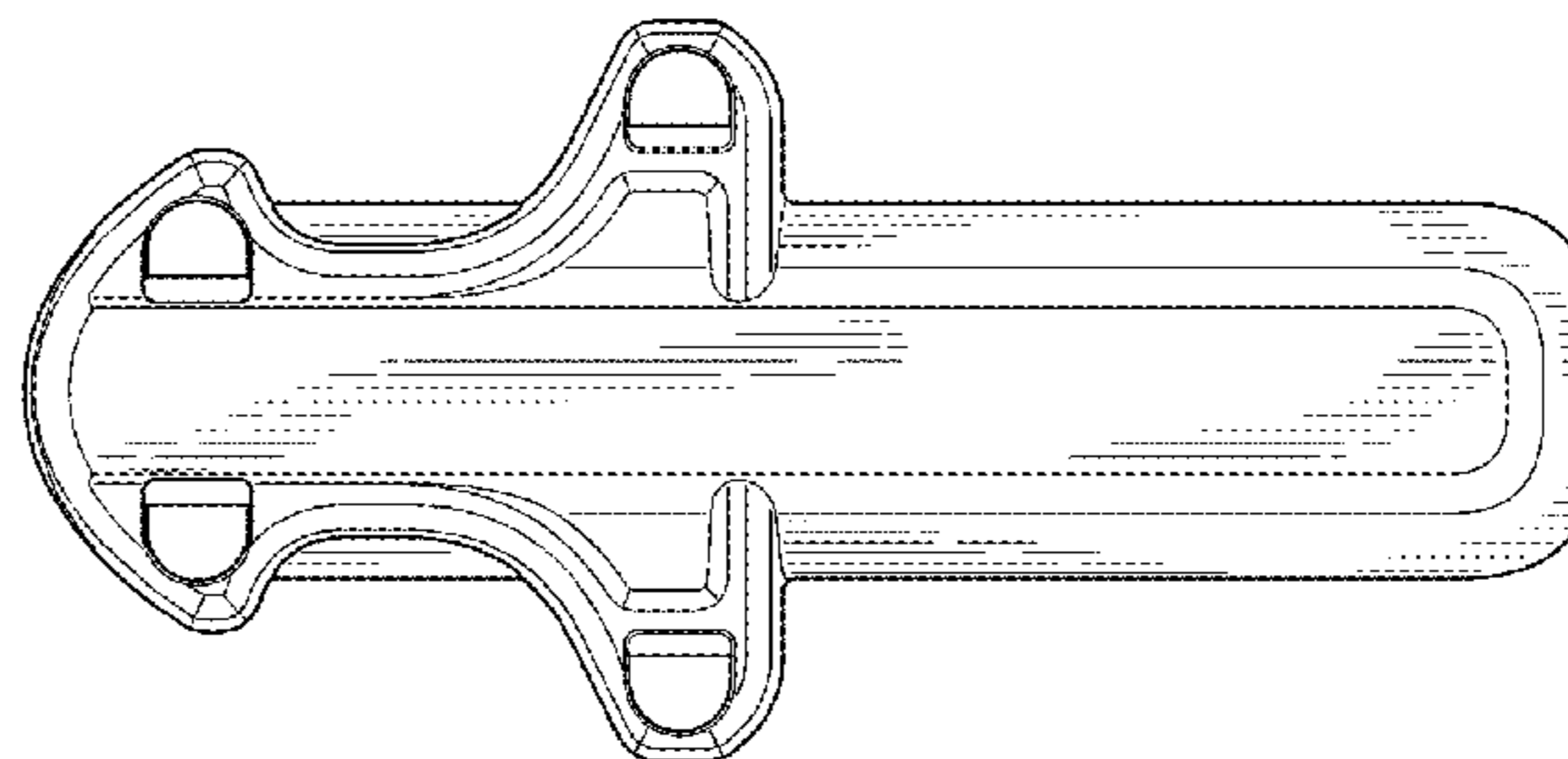
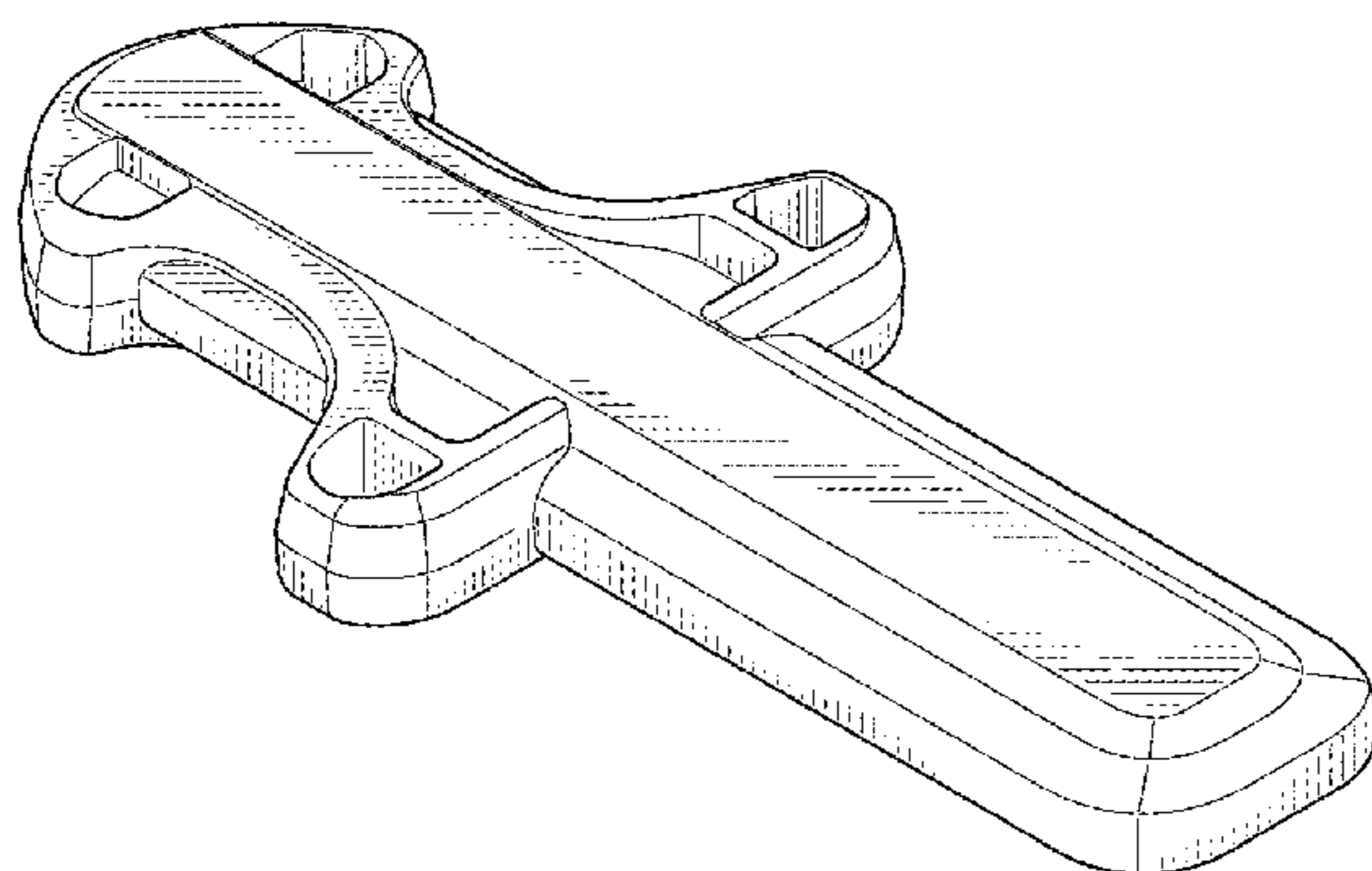
FIG. 4 is a left side view thereof;

FIG. 5 is a right side view thereof;

FIG. 6 is a back view thereof; and,

FIG. 7 is a front view thereof.

1 Claim, 4 Drawing Sheets



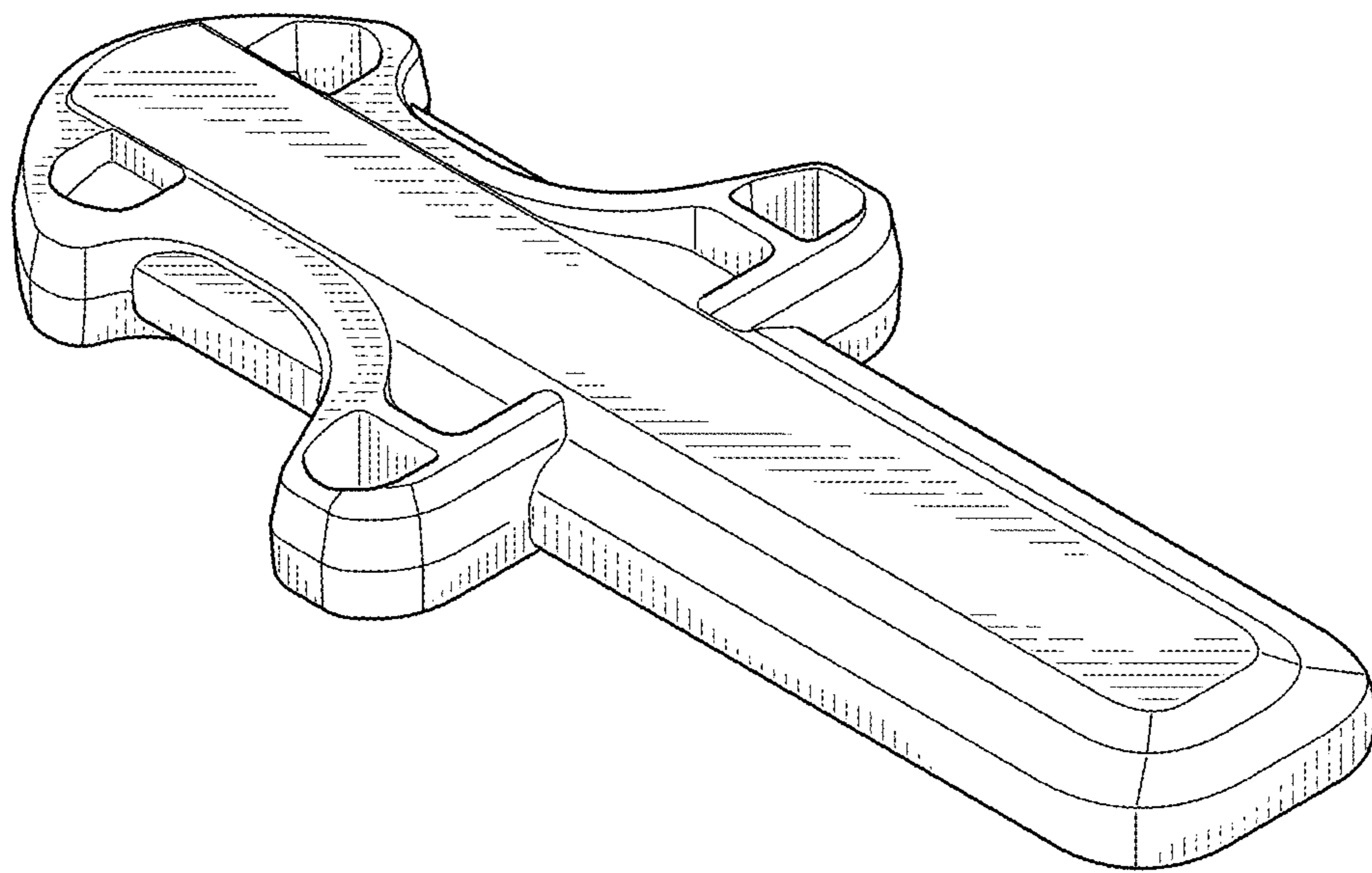


FIG. 1

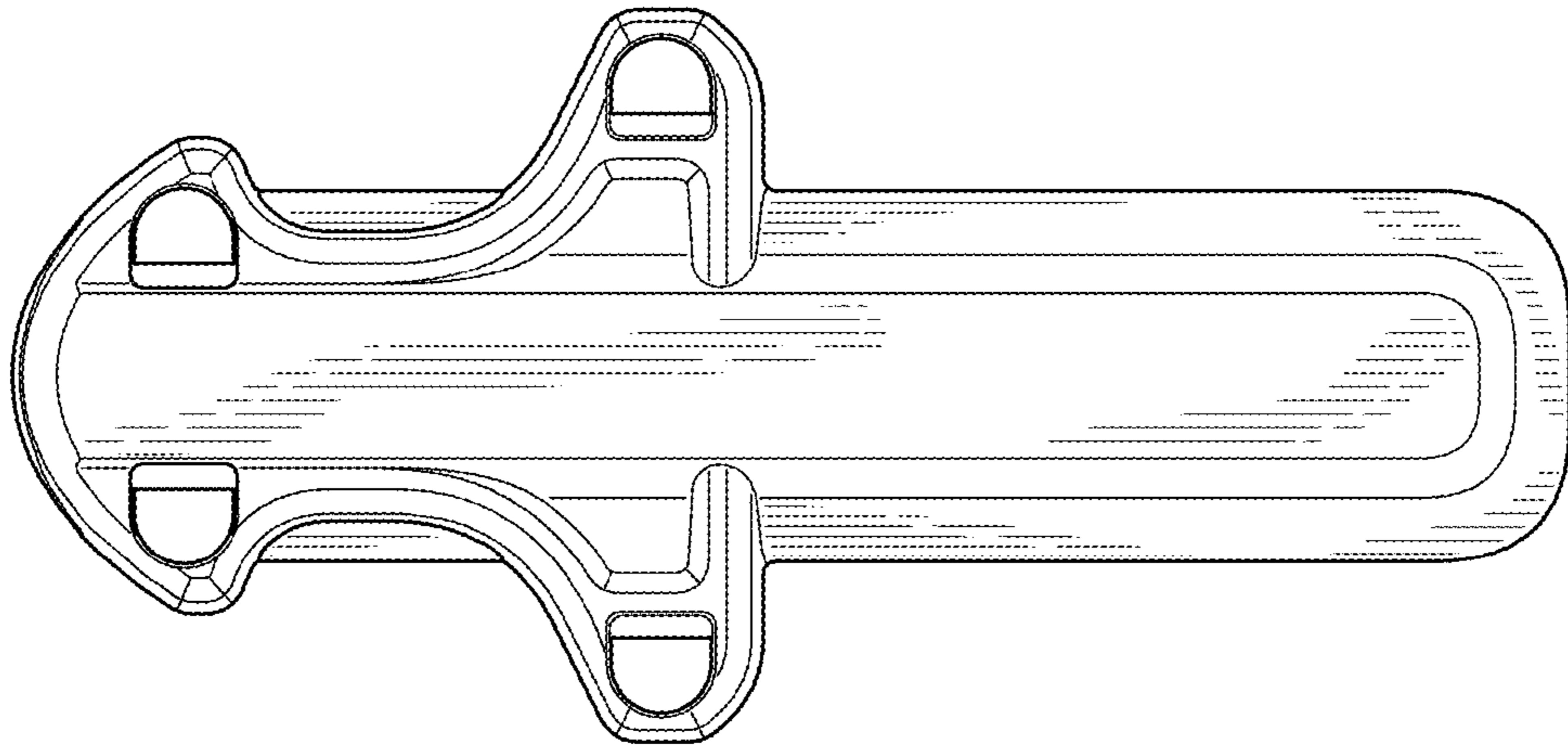


FIG. 2

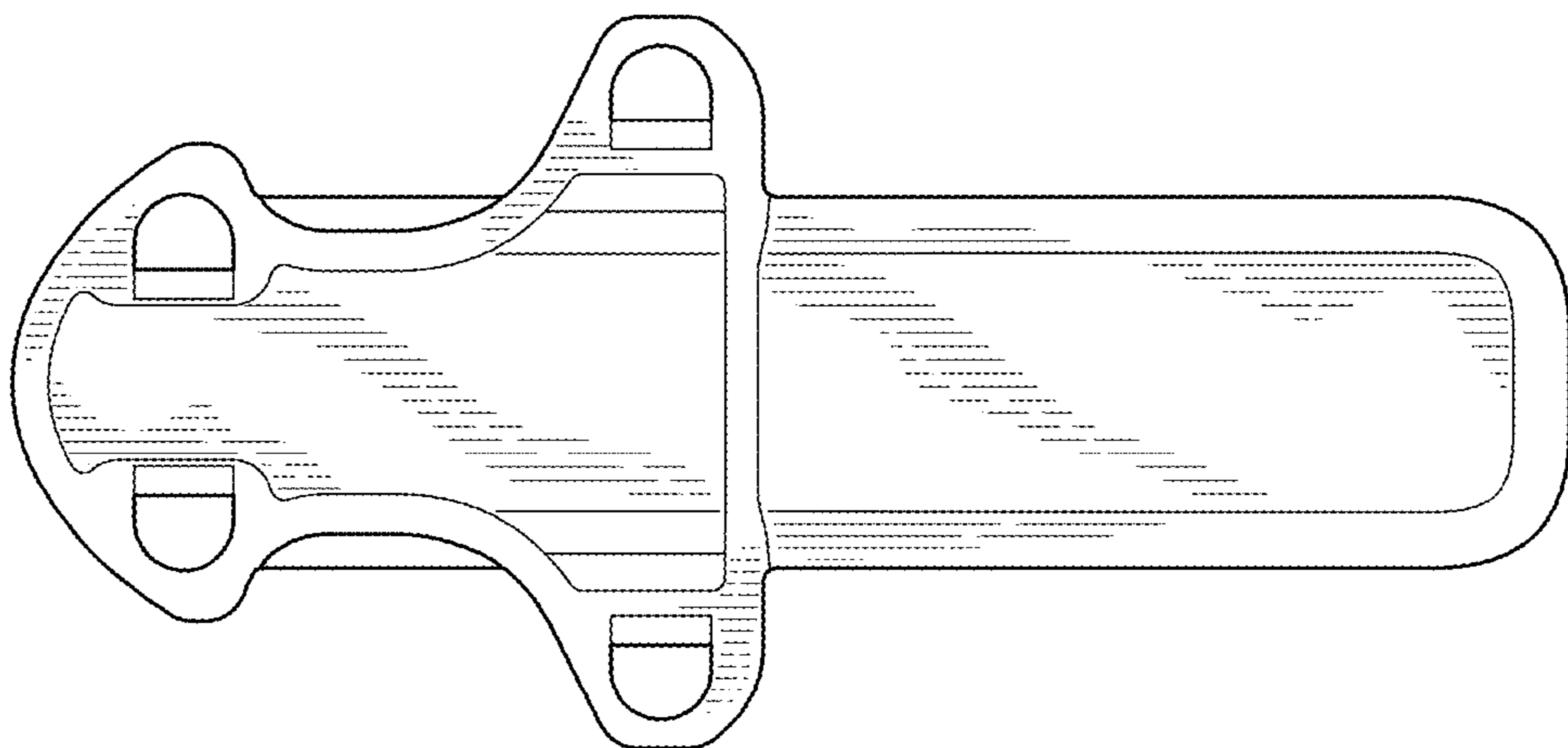


FIG. 3

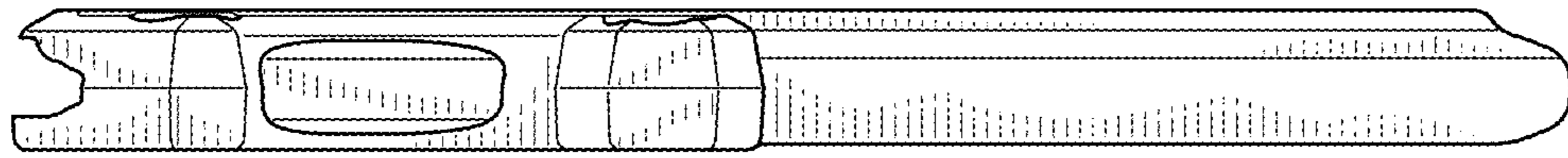


FIG. 4

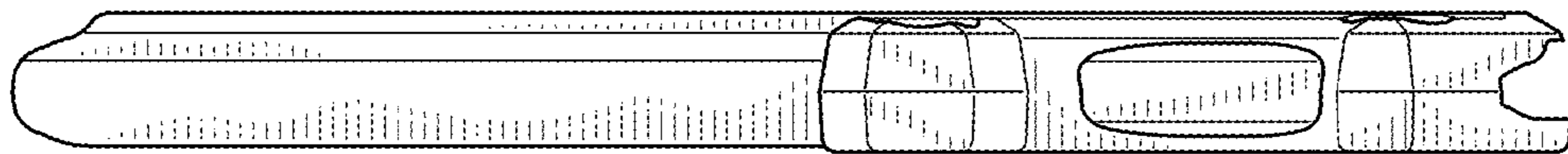


FIG. 5

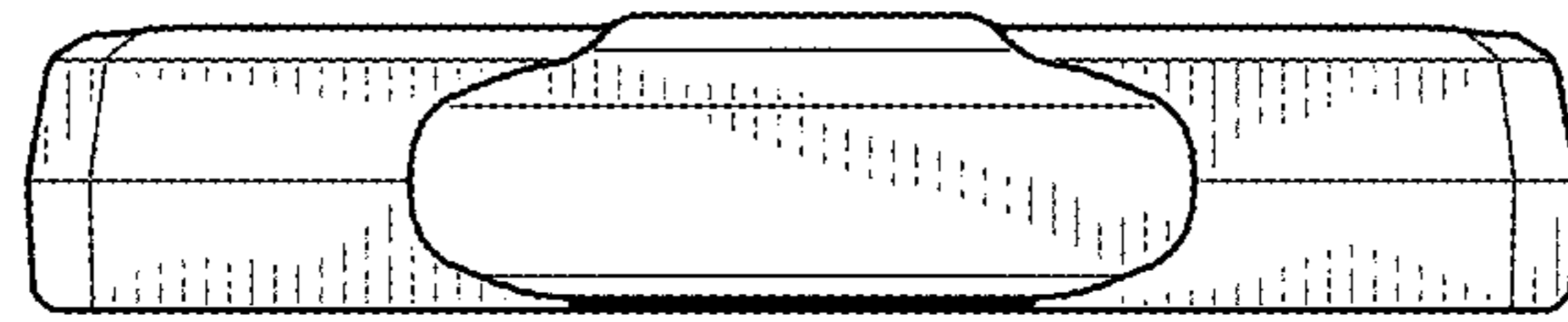


FIG. 6

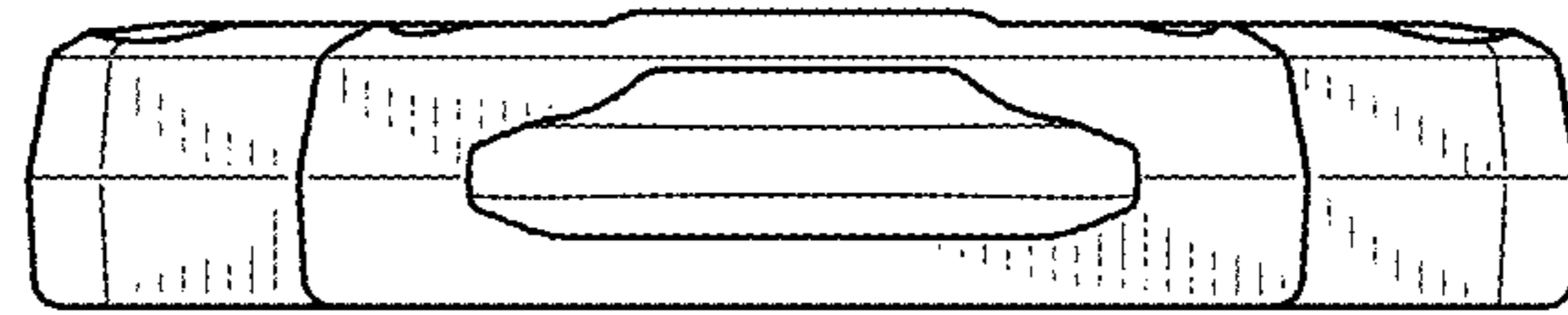


FIG. 7