



US00D737708S

(12) **United States Design Patent**
Jung et al.

(10) **Patent No.:** **US D737,708 S**

(45) **Date of Patent:** **** Sep. 1, 2015**

(54) **GOLF GPS DEVICE**

24/0075; A63B 2071/0663; G09F 3/005;
G06F 1/163; G06F 3/038; G06F 3/03547

See application file for complete search history.

(71) Applicant: **DECA SYSTEM, INC.**, Seongnam-si,
Gyeonggi-do (KR)

(56) **References Cited**

(72) Inventors: **Seung Wook Jung**, Cerritos, CA (US);
Seung Jin Kim, Irvine, CA (US)

U.S. PATENT DOCUMENTS

(73) Assignee: **DECA SYSTEM, INC.**, Seongnam-si,
Gyeonggi-do (KR)

D555,019 S 11/2007 Au Yeung
D584,176 S 1/2009 Maruyama et al.

(Continued)

(**) Term: **14 Years**

Primary Examiner — Antoine D Davis

(21) Appl. No.: **29/518,098**

(74) *Attorney, Agent, or Firm* — Knobbe Martens Olson &
Bear LLP

(22) Filed: **Feb. 19, 2015**

(57) **CLAIM**

The ornamental design of a golf GPS device, as shown and
described.

Related U.S. Application Data

DESCRIPTION

(63) Continuation of application No. 29/482,001, filed on
Feb. 12, 2014, now Pat. No. Des. 724,461, which is a
continuation of application No. 29/448,292, filed on
Mar. 11, 2013, now Pat. No. Des. 702,141, which is a
continuation of application No. 29/423,591, filed on
Jun. 1, 2012, now Pat. No. Des. 677,589.

FIG. 1 is a perspective view of golf GPS device representing
first and second embodiments of the present invention;
FIG. 2 is another perspective view of the golf GPS device of
FIG. 1 according to the first and second embodiments;
FIG. 3 is a front view of the golf GPS device of FIG. 1
according to the first and second embodiments;
FIG. 4 is a rear view of the golf GPS device of FIG. 1
according to the first and second embodiments;
FIG. 5 is a top plan view of the golf GPS device of FIG. 1
according to the first embodiment;
FIG. 6 is a bottom plan view of the golf GPS device of FIG. 1
according to the first embodiment;
FIG. 7 is a left side view of the golf GPS device of FIG. 1
according to the first embodiment;
FIG. 8 is a right side view of the golf GPS device of FIG. 1
according to the first embodiment;
FIG. 9 is a top plan view of the golf GPS device of FIG. 1
according to the second embodiment;
FIG. 10 is a bottom plan view of the golf GPS device of FIG.
1 according to the second embodiment;
FIG. 11 is a left side view of the golf GPS device of FIG. 1
according to the second embodiment; and, FIG. 12 is a right
side view of the golf GPS device of FIG. 1 according to the
second embodiment.

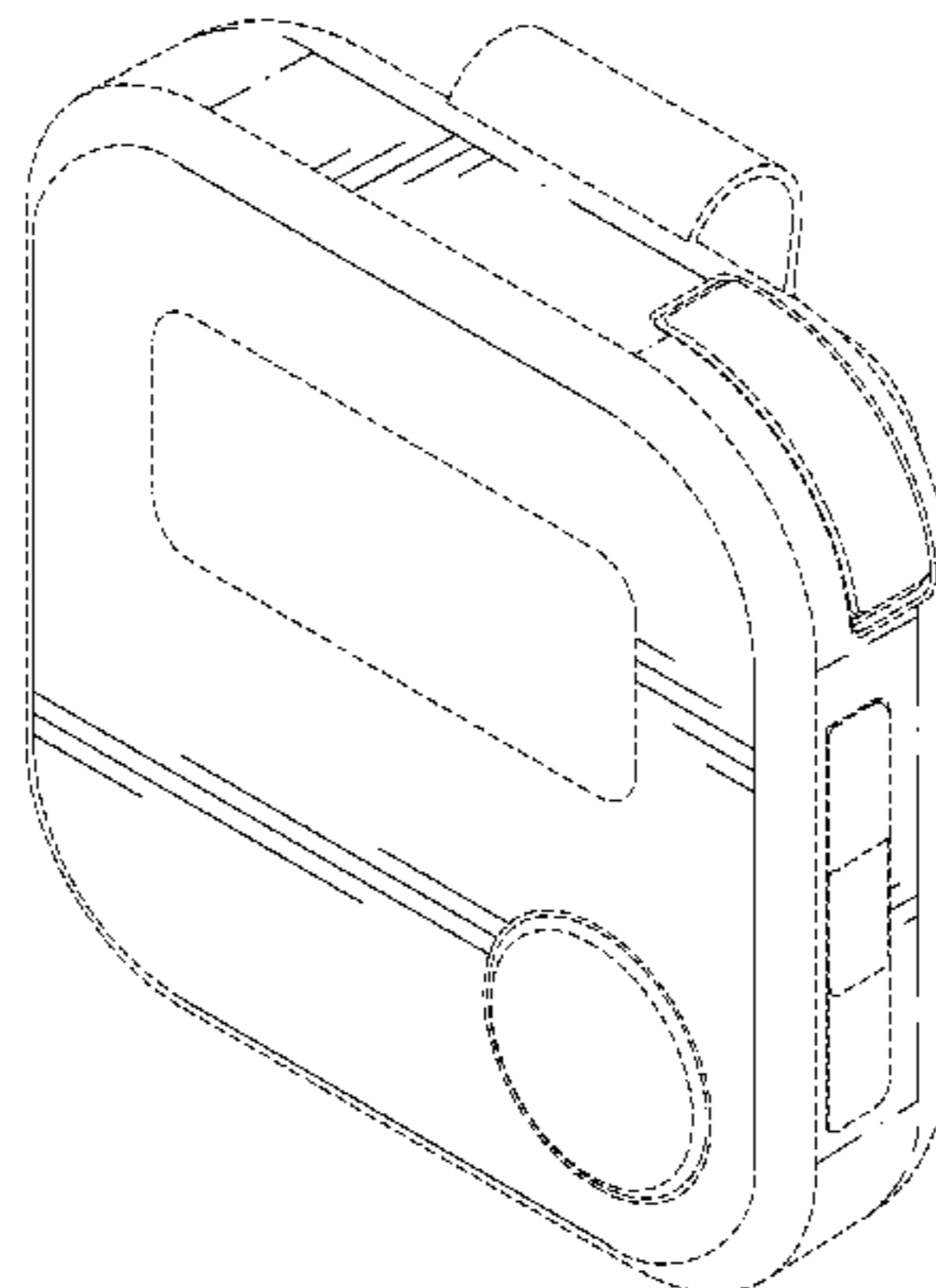
(51) **LOC (10) Cl.** **10-04**

(52) **U.S. Cl.**
USPC **D10/98; D10/70**

(58) **Field of Classification Search**
USPC D10/65, 70, 78, 97, 98; 2/127, 170;
40/633, 665; 59/80; 63/15.7;
340/407.1, 665, 323 R; 368/41;
434/247, 258; 482/1, 2, 4, 8, 9, 44,
482/148, 901, 74, 909; 600/485, 500, 503,
600/437, 443, 453, 459, 465, 479, 502, 595,
600/481, 483; 702/178, 155, 160, 176, 78,
702/79, 82, 91-95, 104, 116, 141, 150, 151,
702/154, 127, 131, 182, 183, 189; 235/105;
377/5, 24.2, 26; 73/514.33, 514.34,
73/510, 513, 527, 530; 324/522; 345/165,
345/156, 905; 342/27, 28, 52-58, 419, 450,
342/457, 458; 250/DIG. 1
CPC A41D 1/002; A44C 5/0015; A44C 5/102;
A44C 5/14; A44C 5/02; A61B 19/44; A61B
2019/446; A63B 71/06; A63B 26/00; A63B

Broken lines are for illustrative purposes only and are not
intended to limit the claimed design.

1 Claim, 8 Drawing Sheets



(56)

References Cited

U.S. PATENT DOCUMENTS

D611,366 S 3/2010 Register et al.
 D615,427 S 5/2010 Au Yeung
 D632,984 S 2/2011 Register et al.
 D635,874 S 4/2011 Tseng et al.
 D637,097 S 5/2011 Tseng
 D644,542 S 9/2011 Henne et al.
 D648,232 S 11/2011 Reigneau
 D659,037 S 5/2012 Madsen et al.
 D659,562 S 5/2012 Groener et al.
 D665,679 S 8/2012 Shigeno et al.
 D665,680 S 8/2012 Shigeno et al.
 D674,715 S 1/2013 Dalton
 D677,589 S 3/2013 Jung et al.

D682,126 S 5/2013 Tello
 D684,071 S 6/2013 Greenwood et al.
 D685,355 S 7/2013 Holleman et al.
 D686,595 S 7/2013 Andre et al.
 8,506,524 B2 8/2013 Graskov et al.
 D693,248 S 11/2013 Anderssen et al.
 D693,249 S 11/2013 Anderssen et al.
 D693,250 S 11/2013 Anderssen et al.
 D694,233 S 11/2013 Hoofnagle et al.
 D699,131 S 2/2014 Marshall et al.
 D700,084 S 2/2014 Hsu
 D702,141 S 4/2014 Jung et al.
 8,717,293 B2 * 5/2014 Wong et al. 345/158
 D730,223 S * 5/2015 Behar D10/70
 D730,224 S * 5/2015 Behar D10/103

* cited by examiner

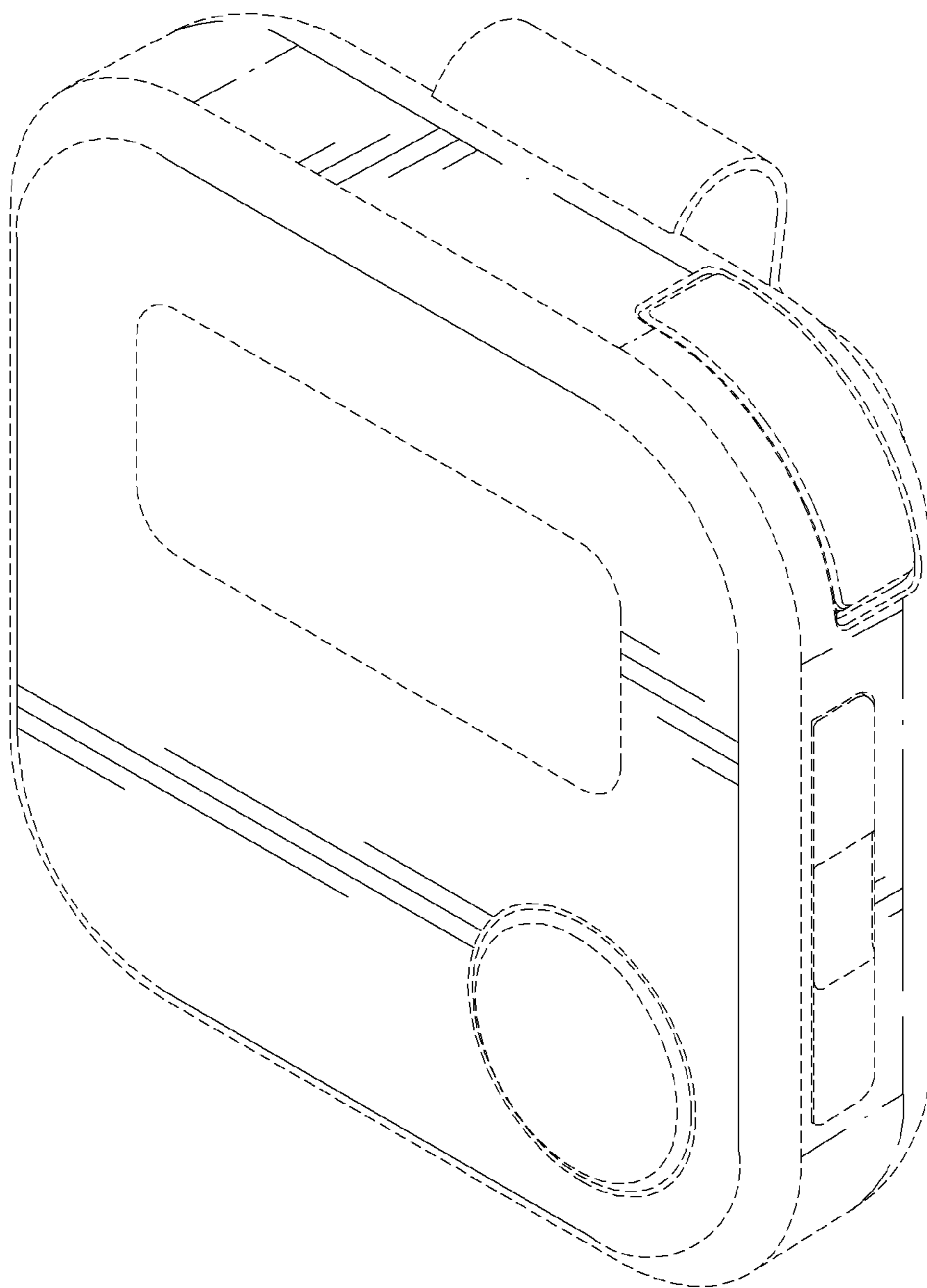


FIG. 1

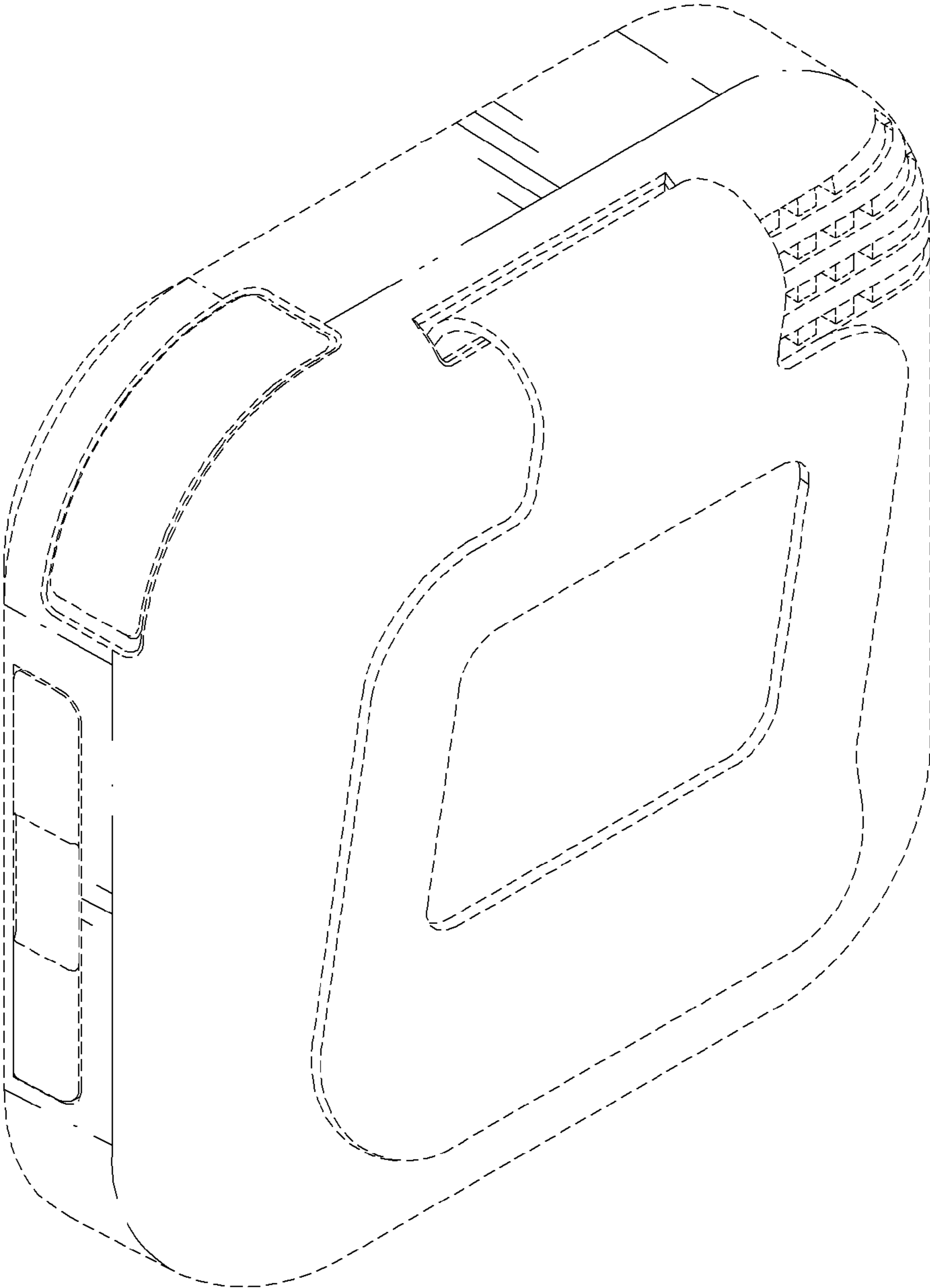


FIG. 2

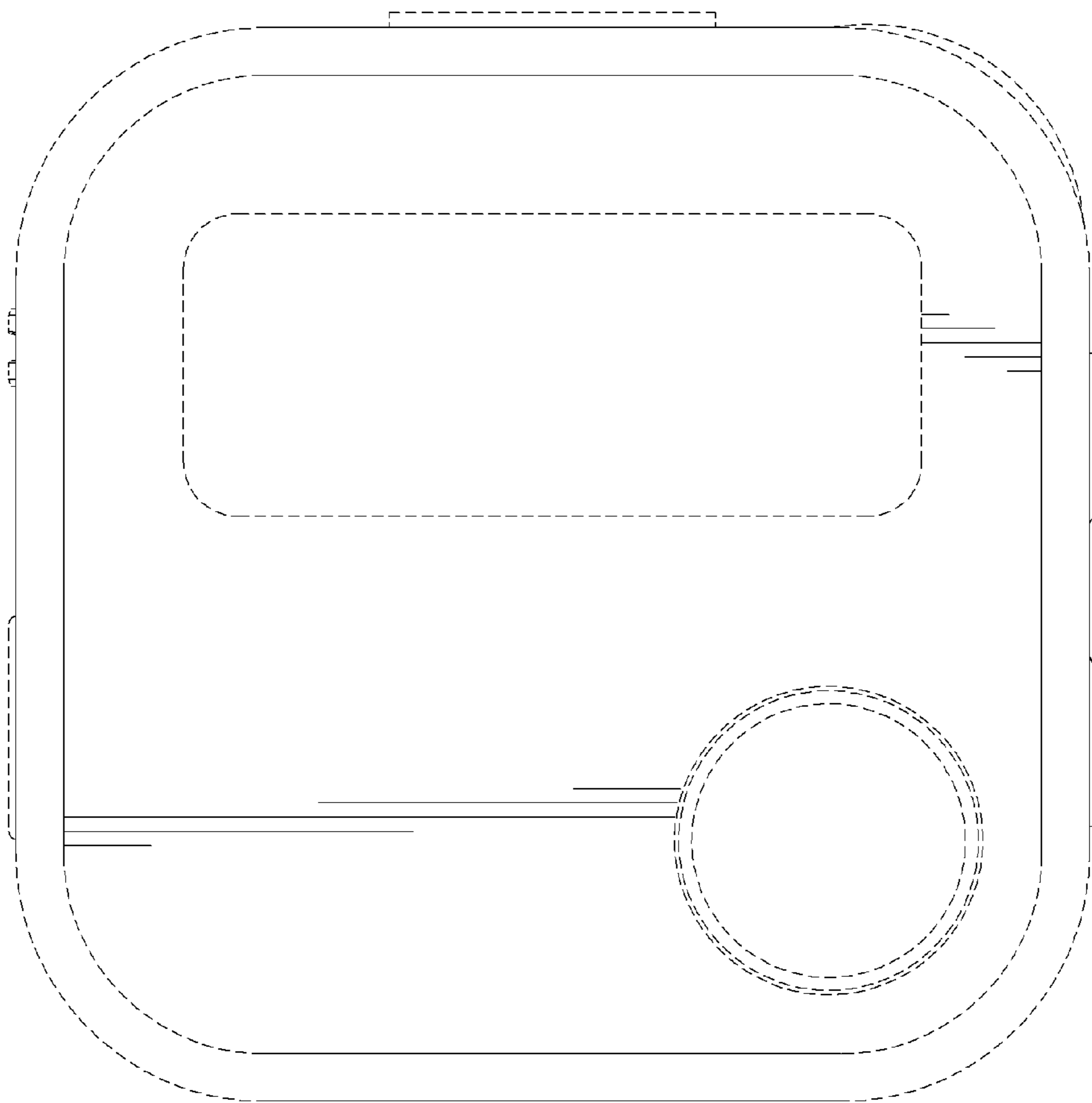


FIG. 3

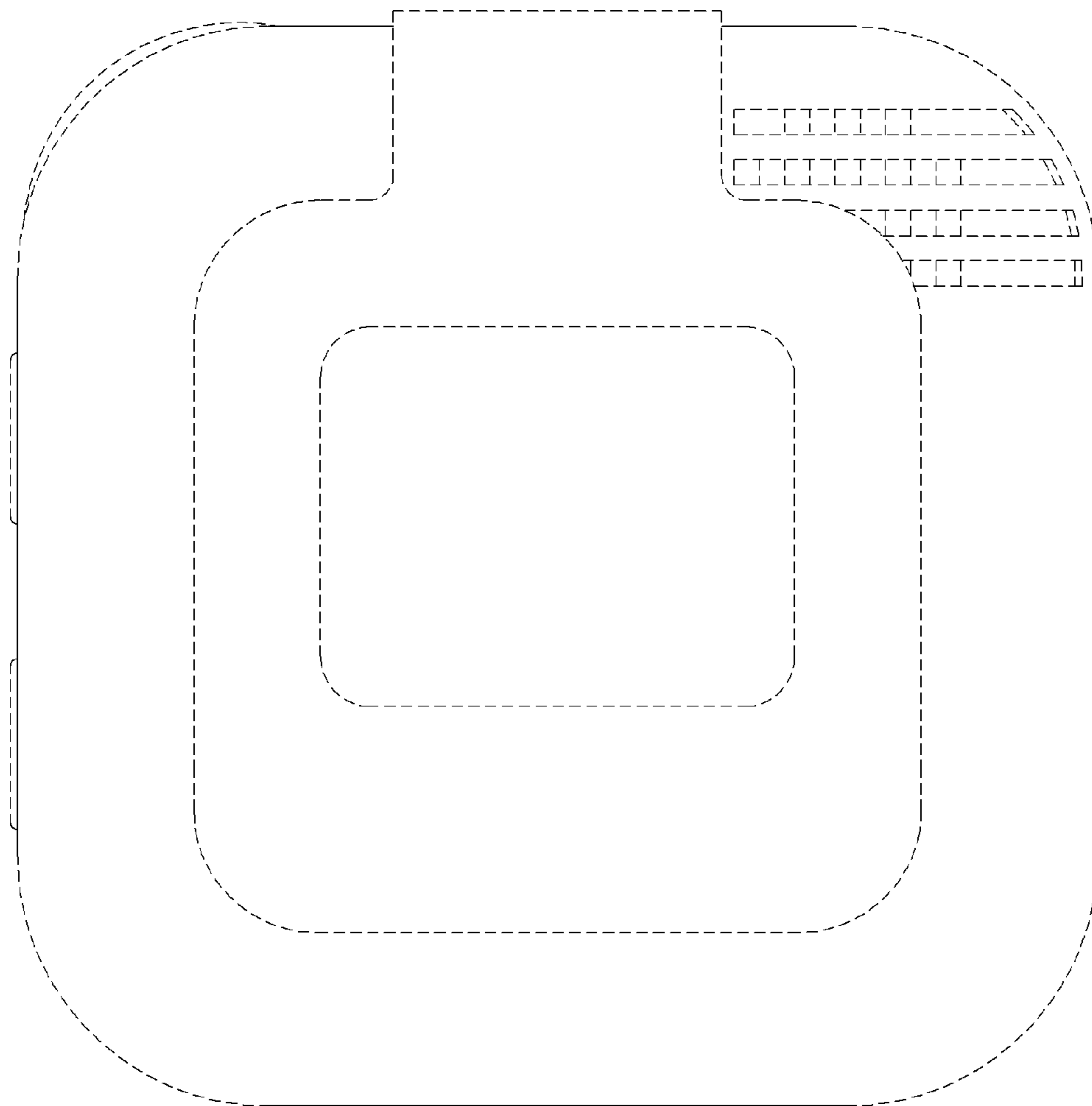


FIG. 4

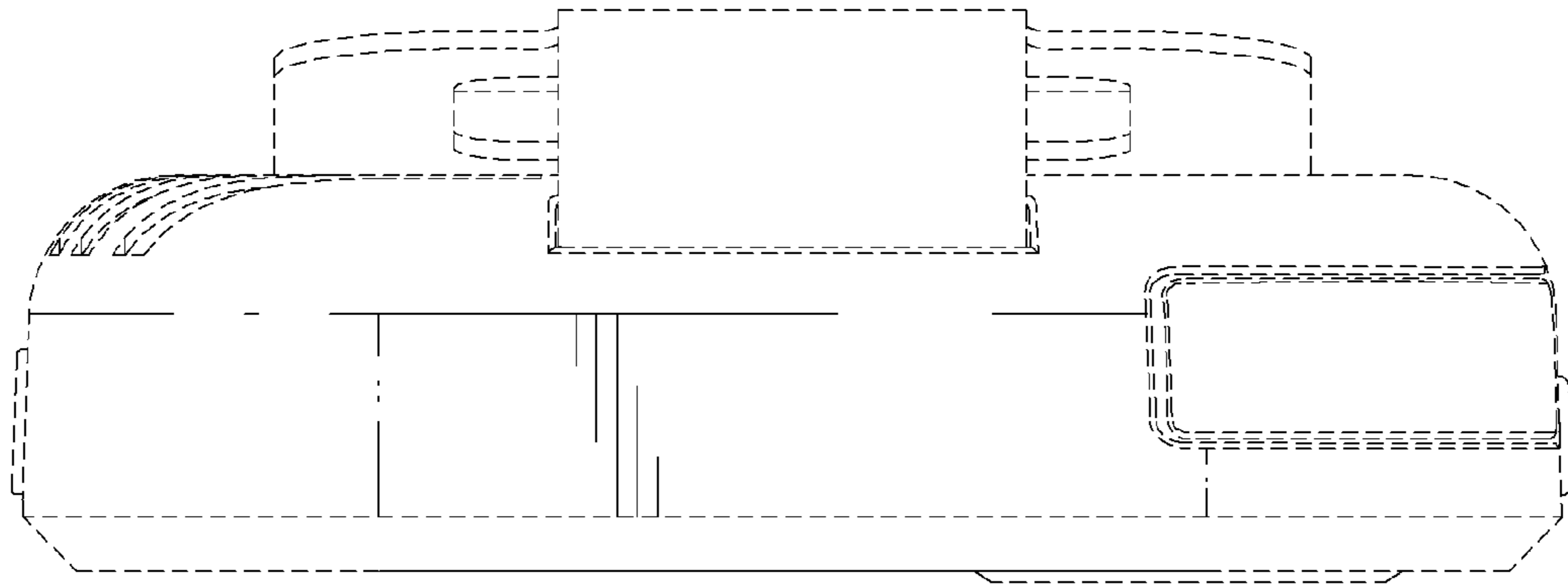


FIG. 5

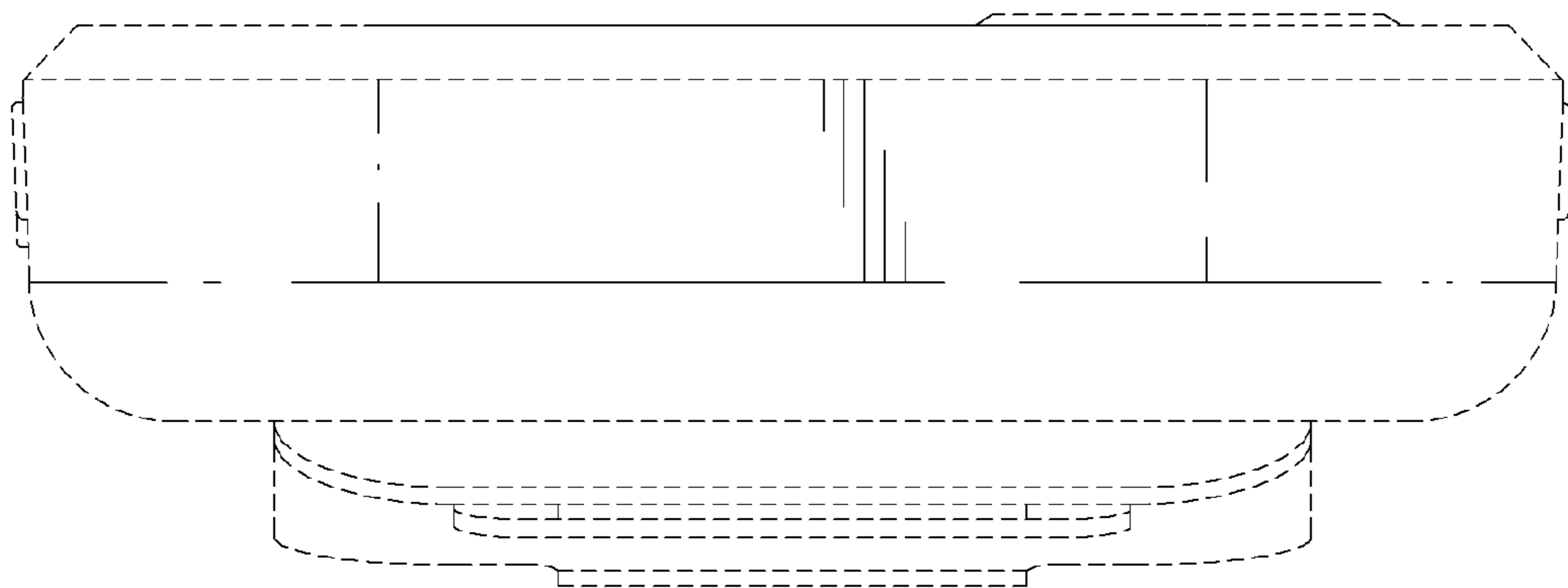


FIG. 6

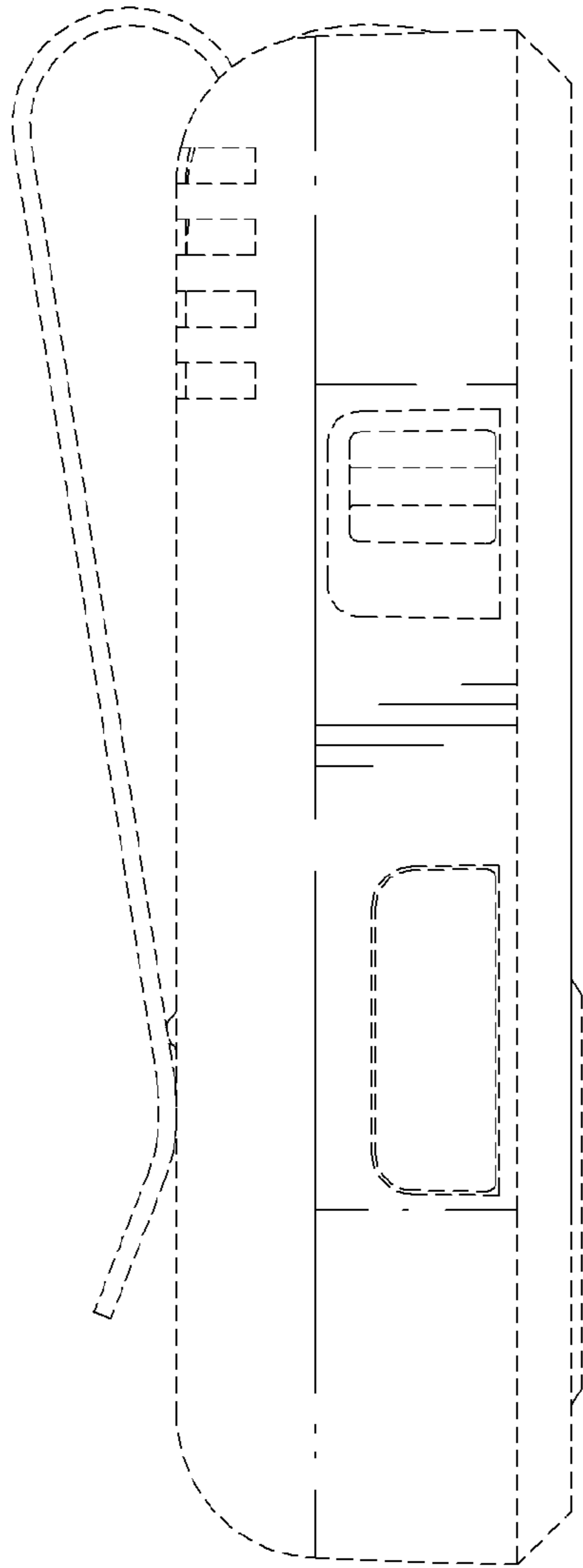


FIG. 7

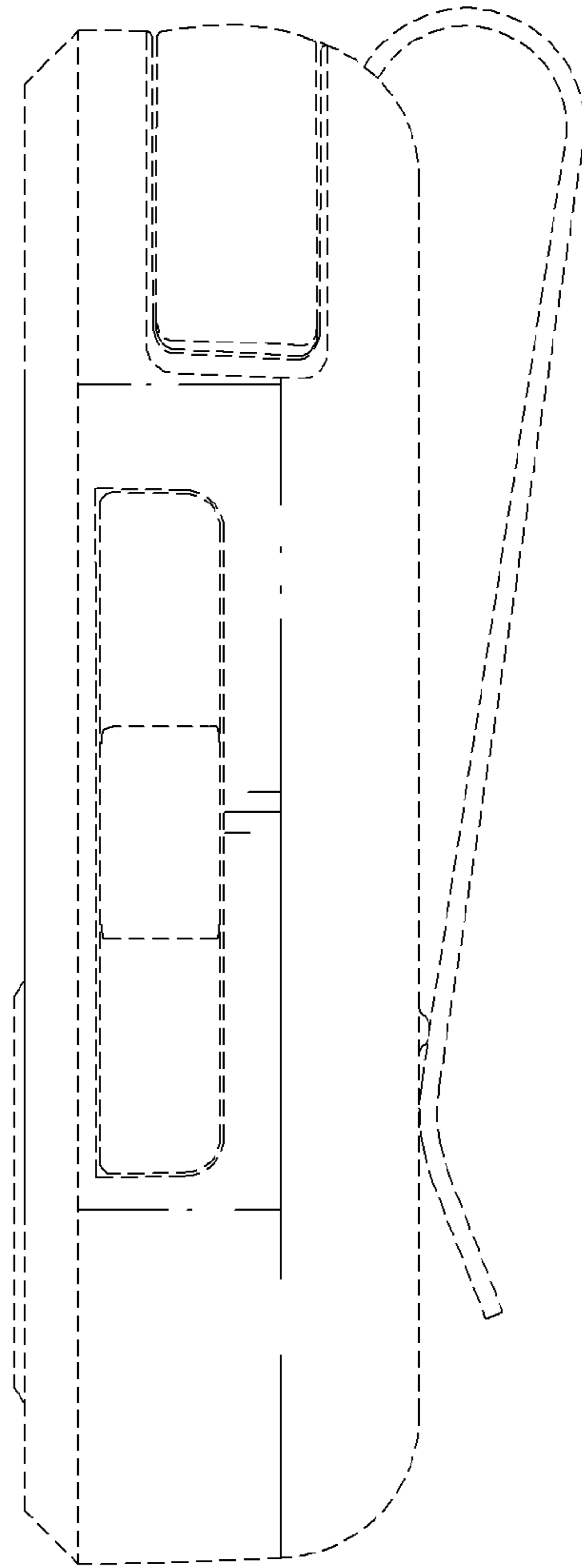


FIG. 8

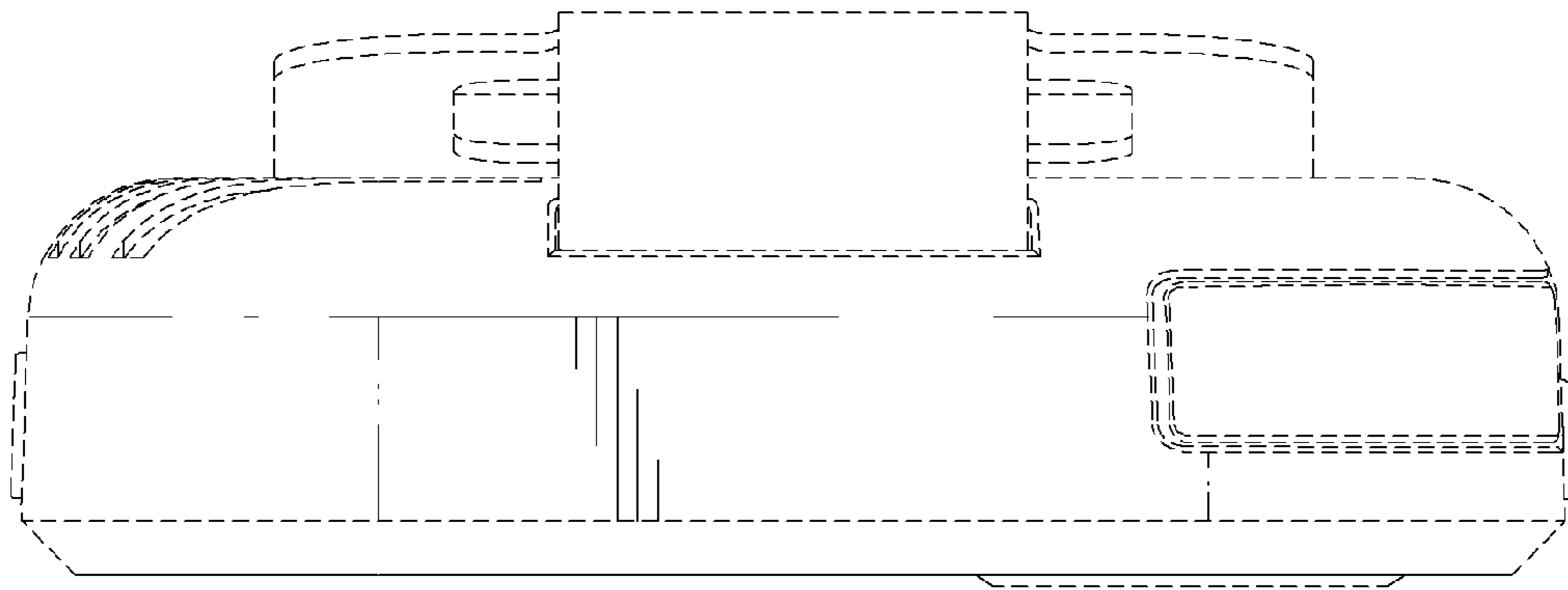


FIG. 9

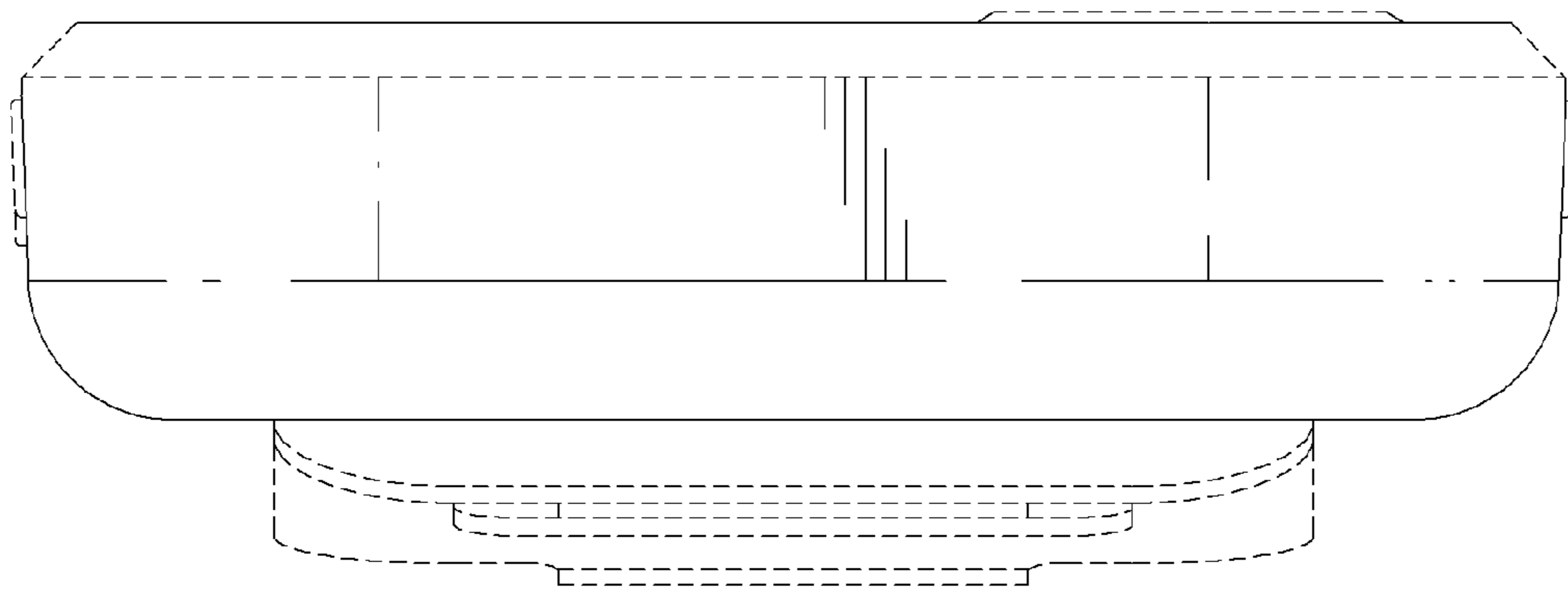


FIG. 10

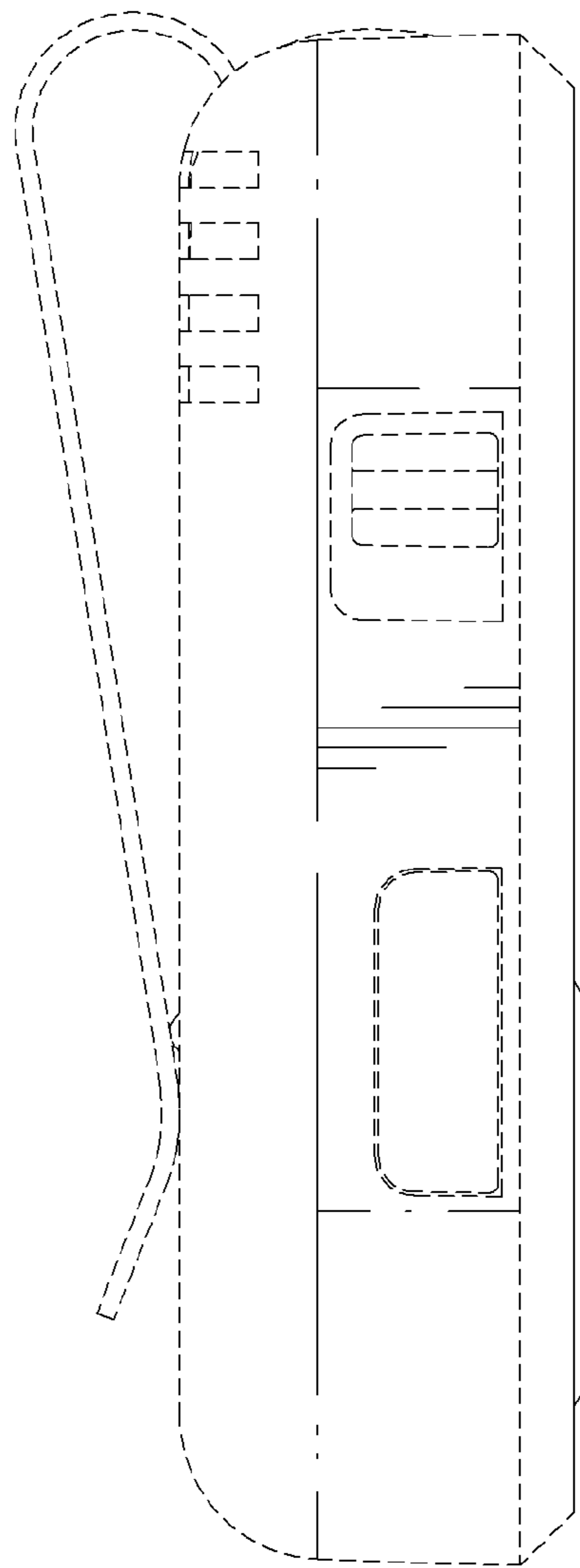


FIG. 11

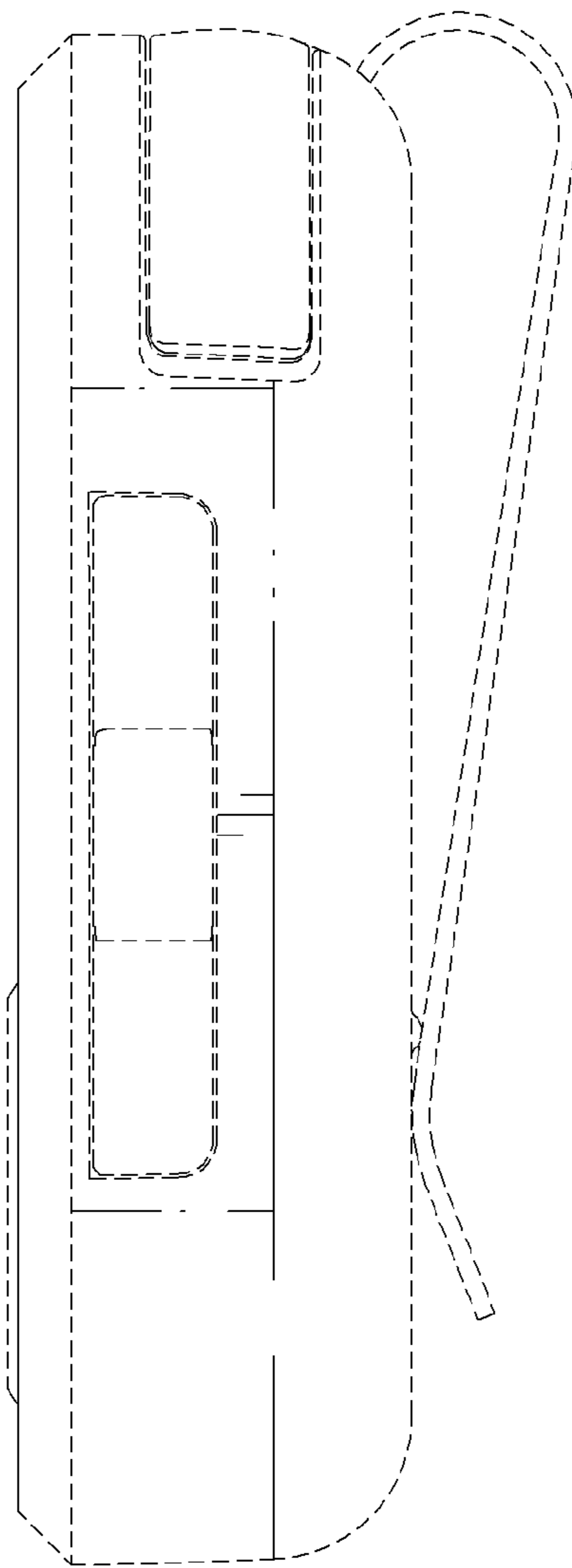


FIG. 12

UNITED STATES PATENT AND TRADEMARK OFFICE
CERTIFICATE OF CORRECTION

PATENT NO. : D737,708 S
APPLICATION NO. : 29/518098
DATED : September 1, 2015
INVENTOR(S) : Seung Wook Jung and Seung Jin Kim

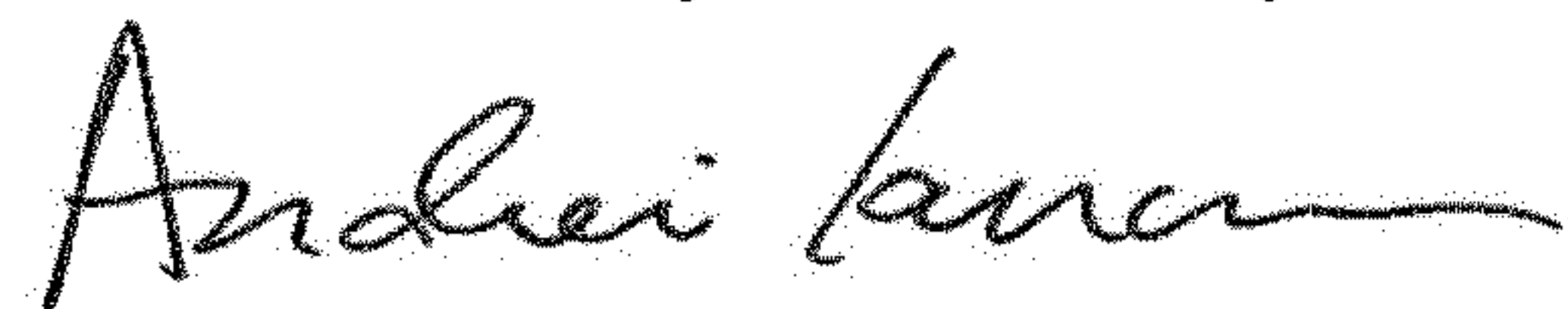
Page 1 of 2

It is certified that error appears in the above-identified patent and that said Letters Patent is hereby corrected as shown below:

In the Drawings

Please replace Fig. 2 with Fig. 2 as shown on the attached page.

Signed and Sealed this
Nineteenth Day of February, 2019



Andrei Iancu
Director of the United States Patent and Trademark Office

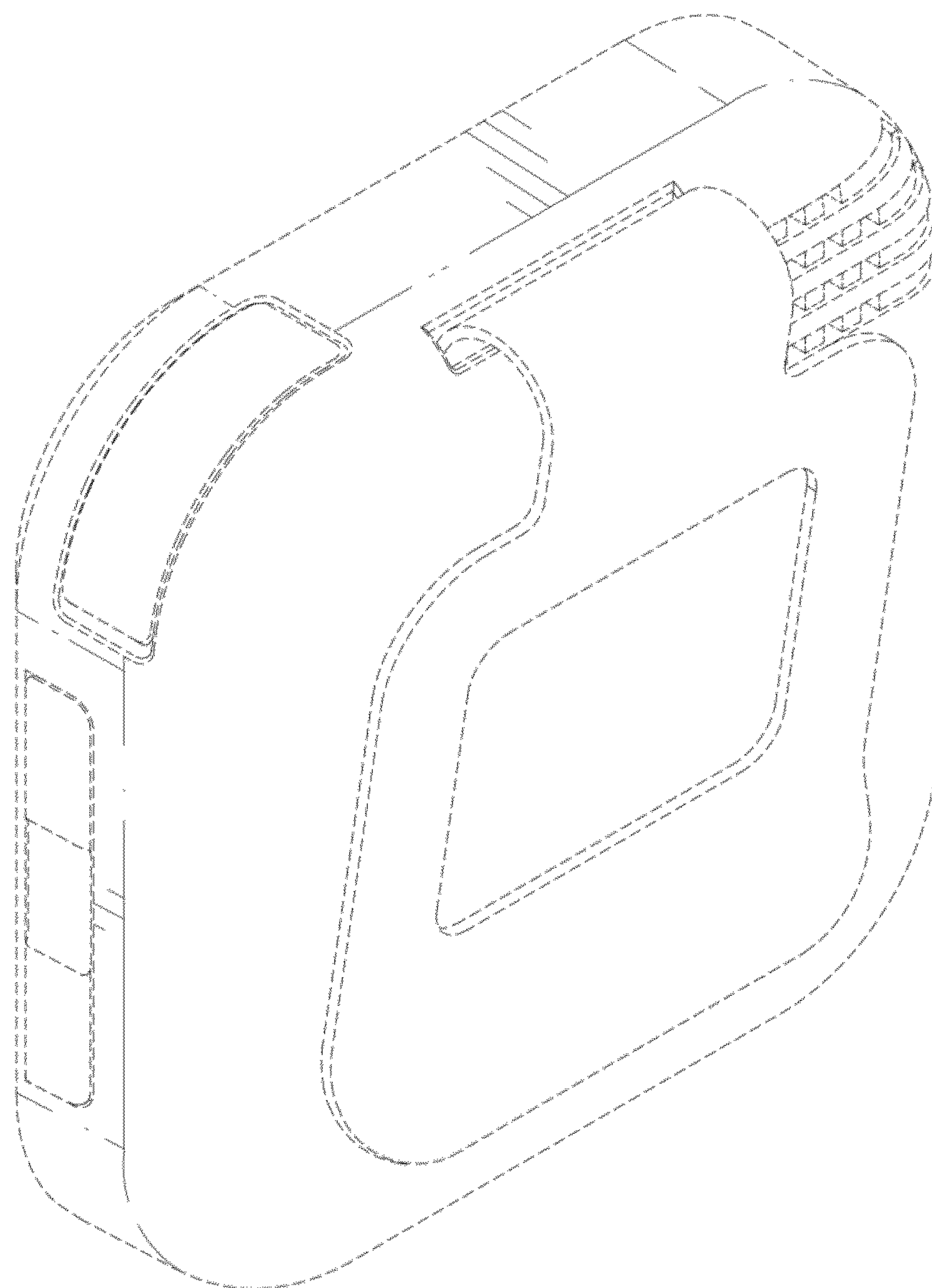


FIG. 2