

US00D737706S

(12) **United States Design Patent**
Peluso et al.

(10) **Patent No.:** **US D737,706 S**
(45) **Date of Patent:** **** Sep. 1, 2015**

(54) **SCALE**

(71) Applicant: **QARDIO, INC.**, Walnut, CA (US)

(72) Inventors: **Marco Peluso**, London (GB); **Rosario Iannella**, Amsterdam (NL); **Adrian Westaway**, London (GB); **Clara Gaggero**, London (GB)

(73) Assignee: **QARDIO, INC.**, Walnut, CA (US)

(**) Term: **14 Years**

(21) Appl. No.: **29/501,888**

(22) Filed: **Sep. 9, 2014**

(51) **LOC (10) Cl.** **10-04**

(52) **U.S. Cl.**
USPC **D10/92**

(58) **Field of Classification Search**
USPC D10/87-94; 177/1-264
CPC G01G 3/00-3/18; G01G 7/00-7/06;
G01G 5/00-5/06; G01G 1/00-1/42; G01G
9/00-9/005; G01G 11/00-11/20; G01G
13/00-13/34; G01G 15/00-15/047; G01G
17/00-17/08

See application file for complete search history.

(56) **References Cited**

U.S. PATENT DOCUMENTS

D458,552 S * 6/2002 Ekelund D10/91
D547,682 S * 7/2007 Barmes et al. D10/92
D624,839 S * 10/2010 Bas D10/94
D700,093 S * 2/2014 Gomez D10/92

* cited by examiner

Primary Examiner — Antoine D Davis

(74) *Attorney, Agent, or Firm* — Shartsis Friese LLP; Cecily Anne O'Regan

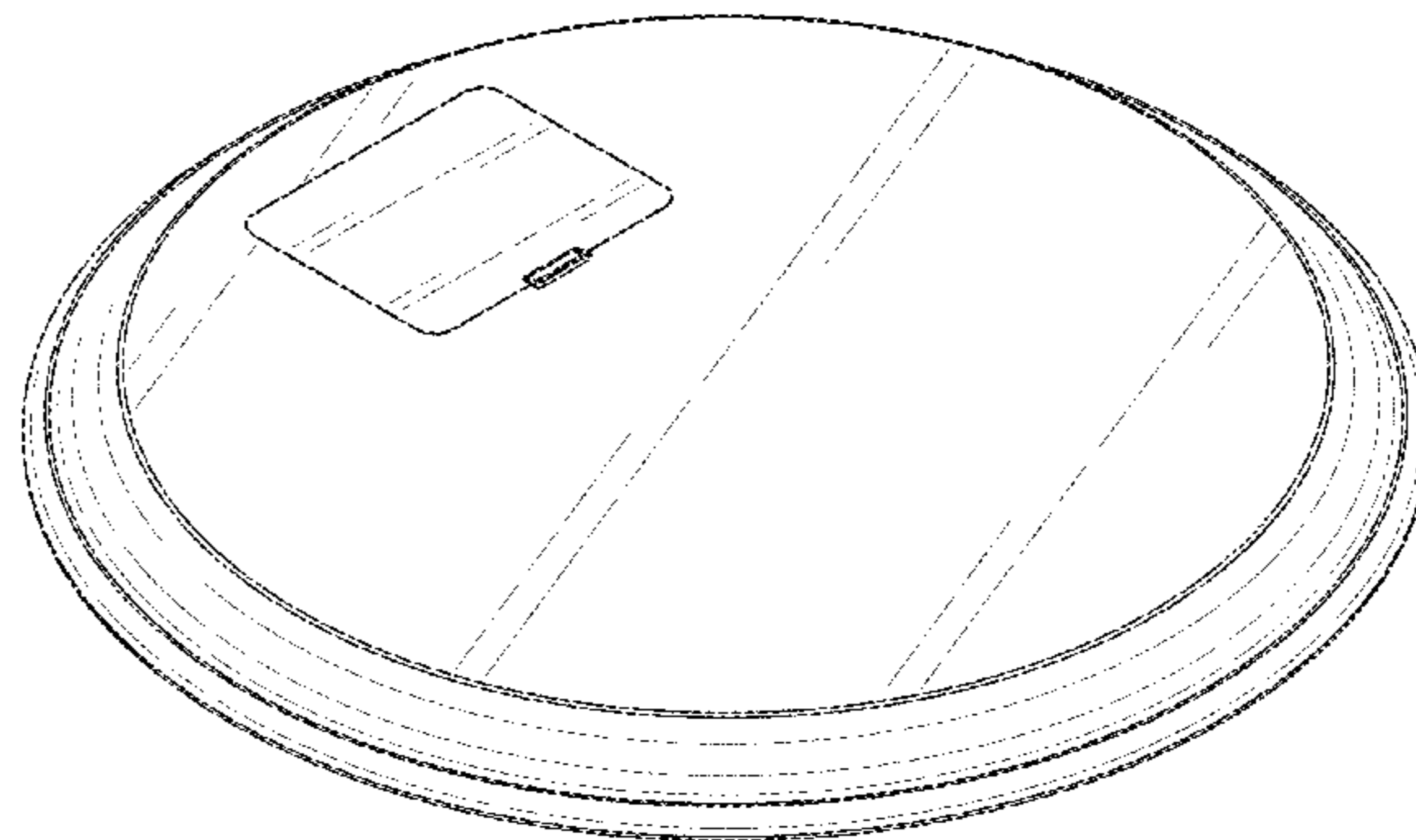
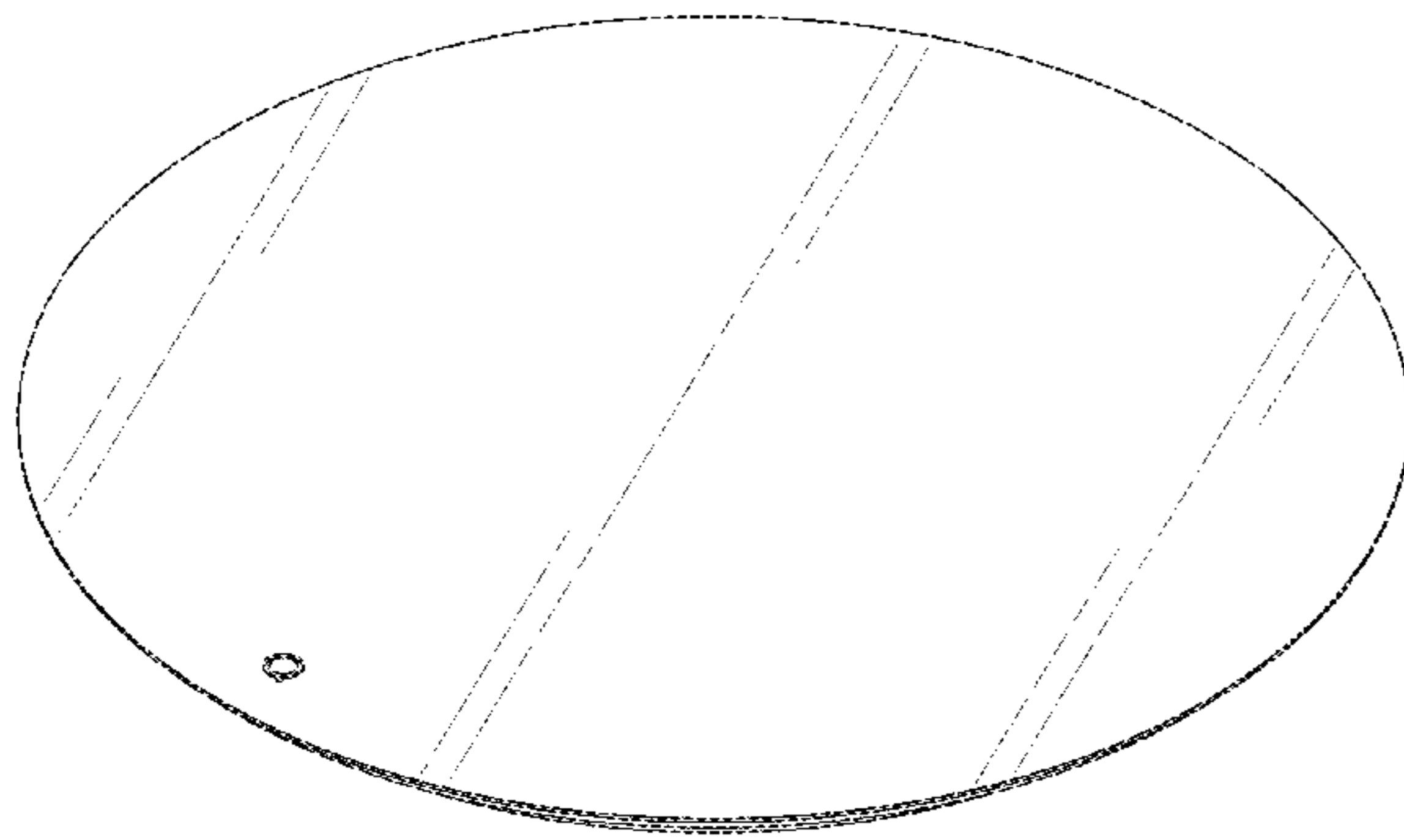
(57) **CLAIM**

The ornamental design for a scale, as shown and described.

DESCRIPTION

FIG. 1 is a top perspective view of a scale;
FIG. 2 is a front view of a scale;
FIG. 3 is a back view of a scale;
FIG. 4 is a left side view of a scale;
FIG. 5 is a right side view of a scale;
FIG. 6 is a top view of a scale;
FIG. 7 is a bottom view of a scale; and,
FIG. 8 is a bottom perspective view of a scale.

1 Claim, 6 Drawing Sheets



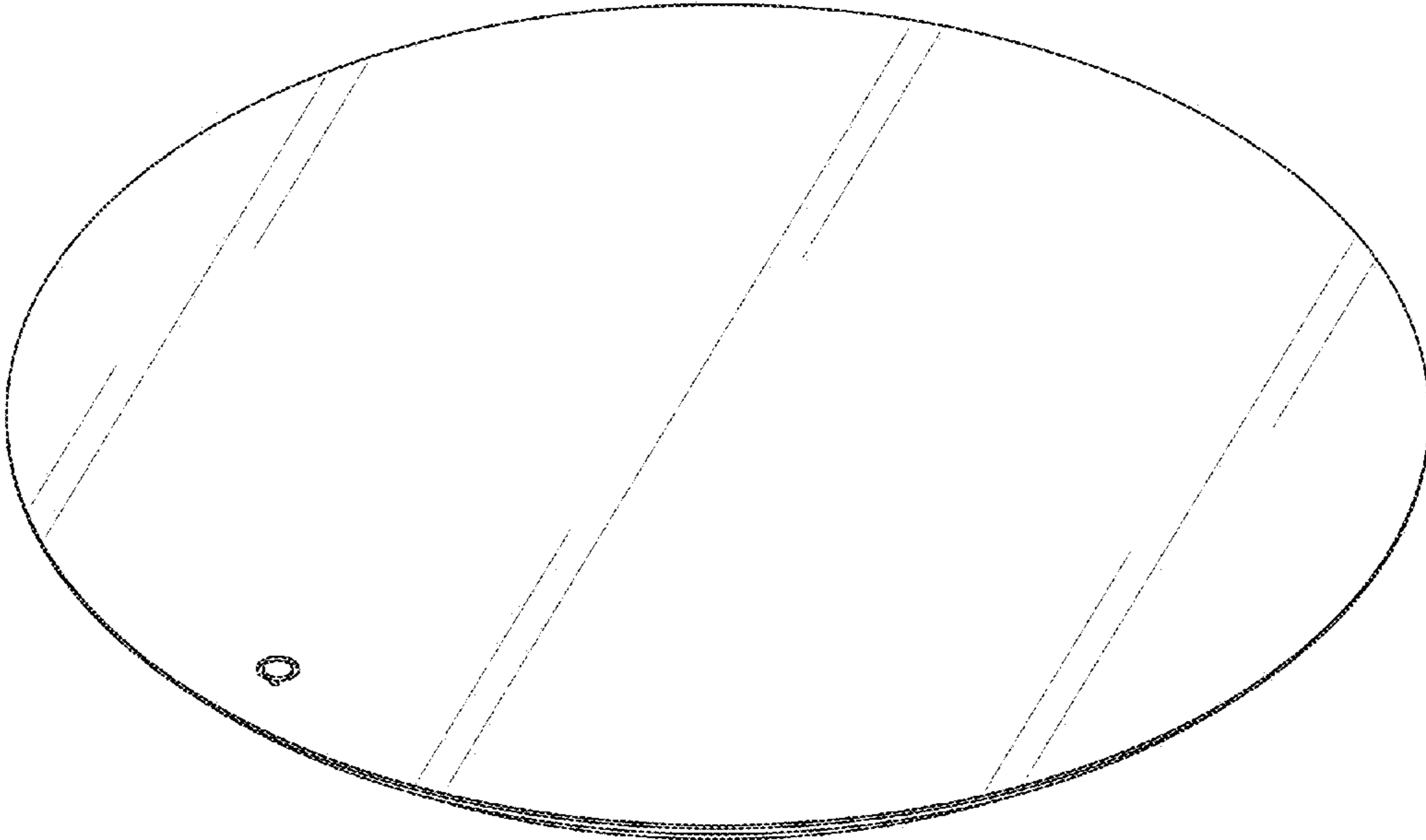


FIG. 1

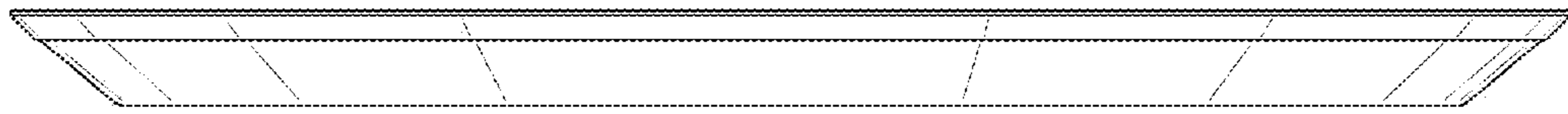


FIG. 2

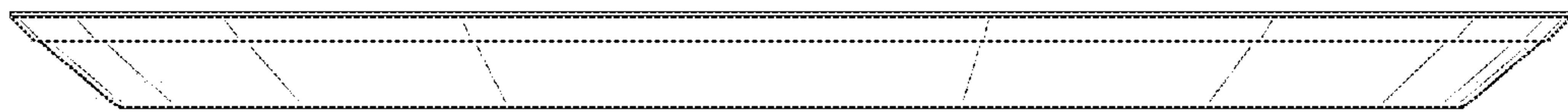


FIG. 3

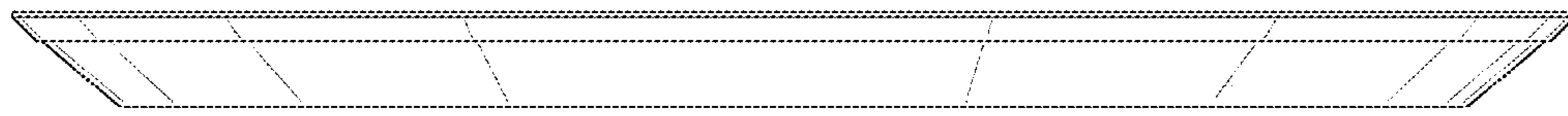


FIG. 4

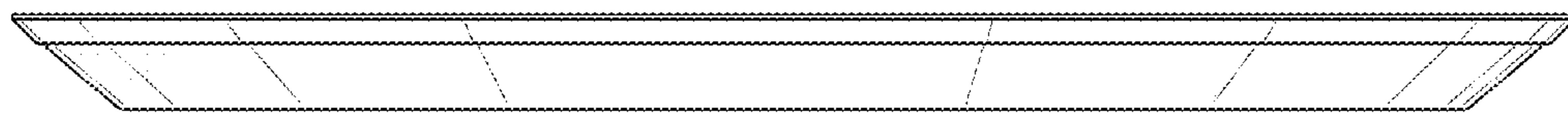


FIG. 5

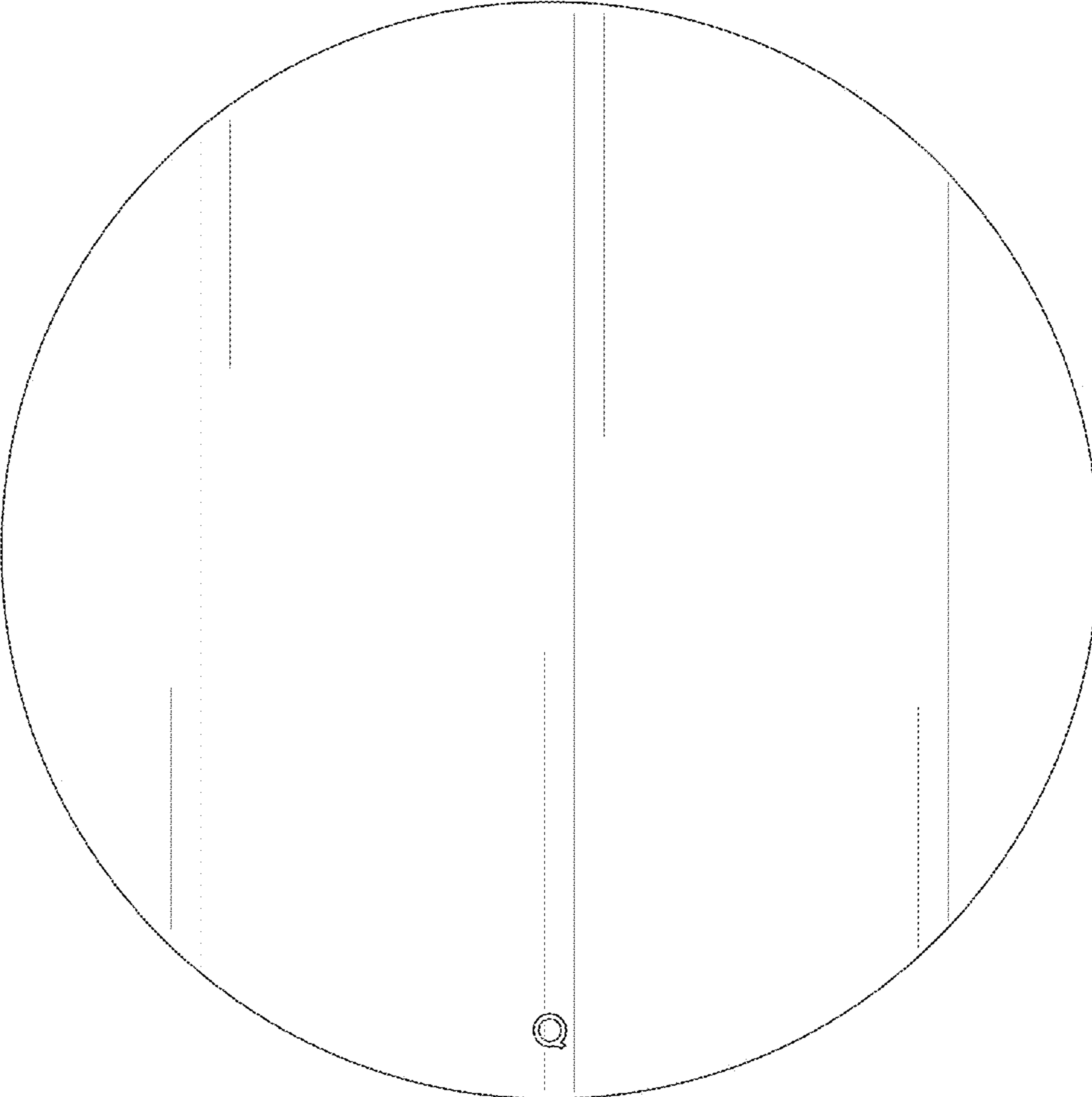


FIG. 6

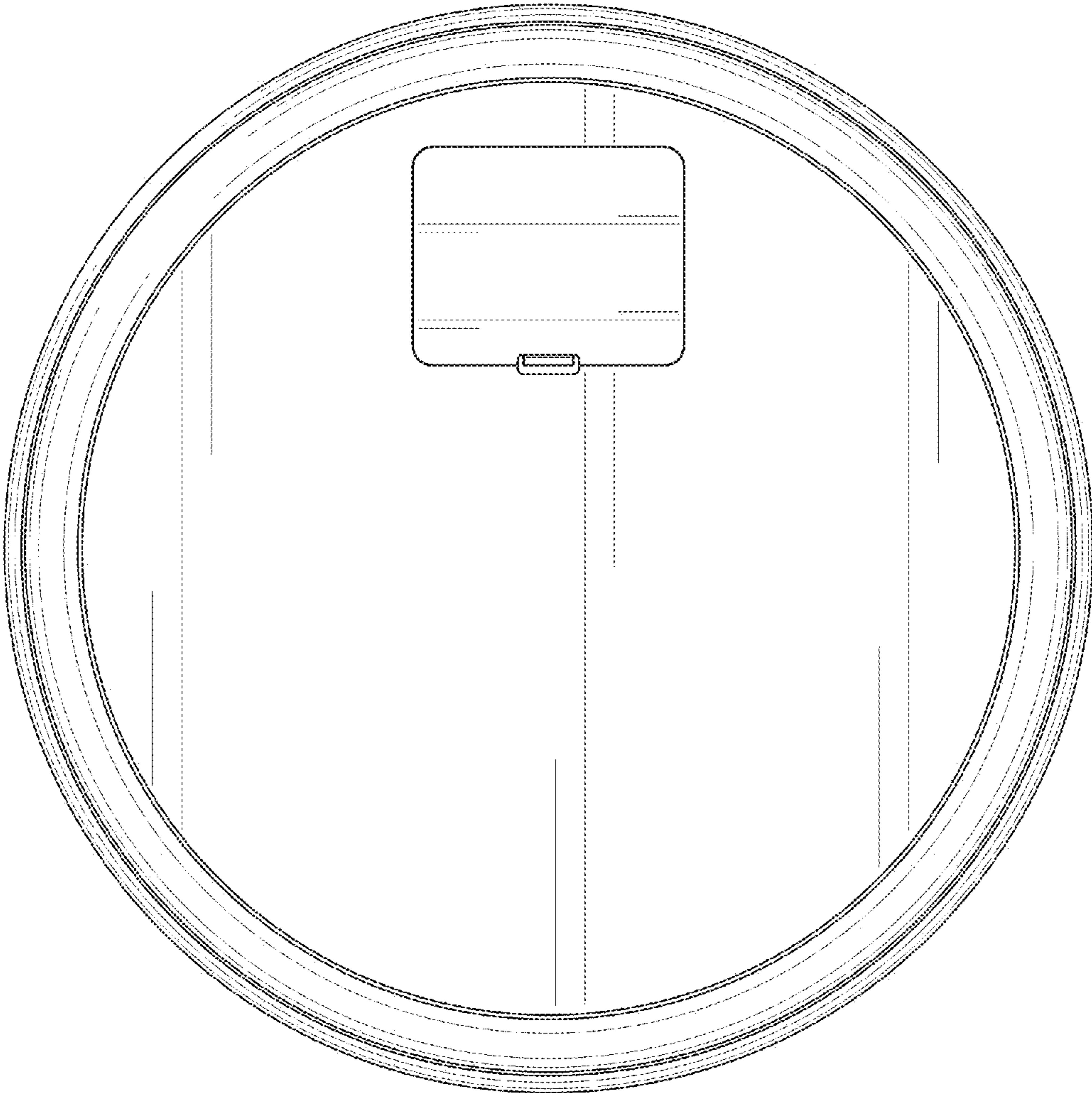


FIG. 7

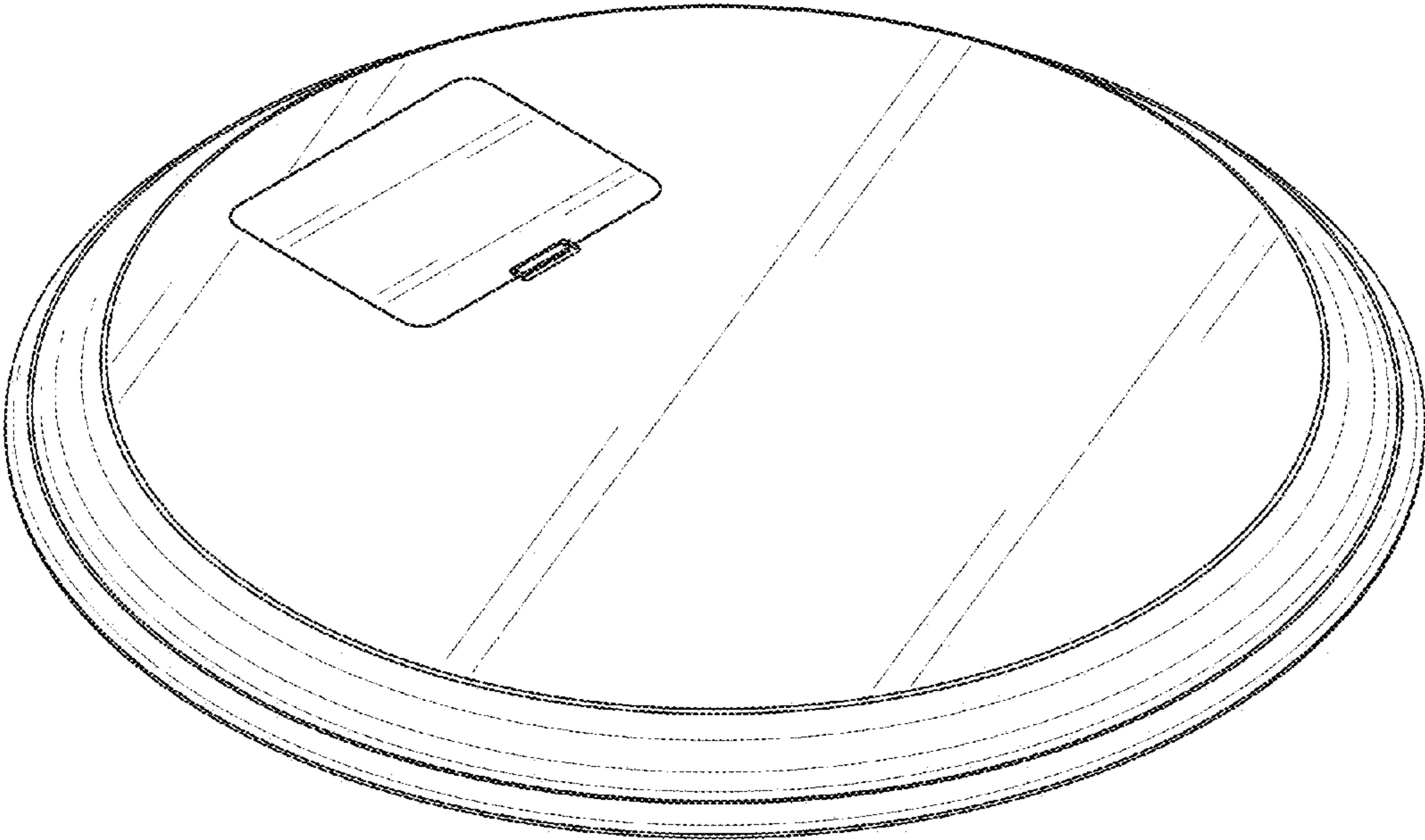


FIG. 8