

US00D737704S

(12) **United States Design Patent**  
**Miyakawa et al.**

(10) **Patent No.:** **US D737,704 S**  
(45) **Date of Patent:** **\*\* Sep. 1, 2015**

(54) **PRESSURE DETECTOR**

(56) **References Cited**

(71) Applicant: **Kabushiki Kaisha Saginomiya Seisakusho**, Tokyo (JP)  
(72) Inventors: **Satoshi Miyakawa**, Saitama (JP);  
**Kyosuke Okimi**, Saitama (JP);  
**Tomohiro Sakakibara**, Saitama (JP)  
(73) Assignee: **Kabushiki Kaisha Saginomiya Seisakusho**, Toyko (JP)

U.S. PATENT DOCUMENTS

6,651,505 B2 \* 11/2003 Hattori et al. .... 73/717  
7,234,358 B2 \* 6/2007 Saito et al. .... 73/754  
D643,761 S 8/2011 Kanazaki et al.  
D643,762 S 8/2011 Hondoh  
D658,082 S \* 4/2012 Takatsuki et al. .... D10/85  
8,567,237 B2 \* 10/2013 Maeda et al. .... 73/114.18  
D695,140 S \* 12/2013 Ashino ..... D10/85

\* cited by examiner

(\*\*) Term: **14 Years**

*Primary Examiner* — Antoine D Davis

(21) Appl. No.: **29/498,551**

(74) *Attorney, Agent, or Firm* — Juan Carlos A. Marquez;  
Bacon & Thomas PLLC

(22) Filed: **Aug. 5, 2014**

(57) **CLAIM**

(30) **Foreign Application Priority Data**

We claim the ornament design for a pressure detector, as shown and described.

Mar. 5, 2014 (JP) ..... 2014-004700

**DESCRIPTION**

(51) **LOC (10) Cl.** ..... **10-04**

(52) **U.S. Cl.**  
USPC ..... **D10/85**

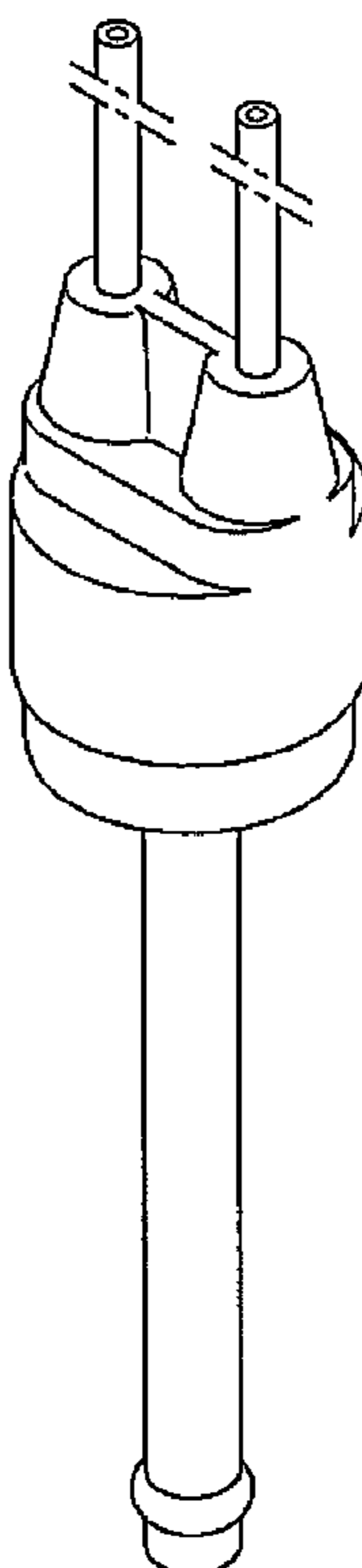
(58) **Field of Classification Search**  
USPC ..... D10/83-85  
CPC ..... G01L 1/00-1/26; G01L 3/00-3/26;  
G01L 5/00-5/288; G01L 7/00-7/24; G01L  
9/00-9/18; G01L 2209/0063-2009/0069;  
G01L 11/00-11/06; G01L 13/00-13/06;  
G01L 15/00

FIG. 1 is a front view;  
FIG. 2 is a right side view;  
FIG. 3 is a plane view;  
FIG. 4 is a bottom view; and,  
FIG. 5 is a perspective view.

The article is shown with a symbolic break in its length. The appearance of any portion of the article between the break lines forms no part of the claimed design.

See application file for complete search history.

**1 Claim, 4 Drawing Sheets**



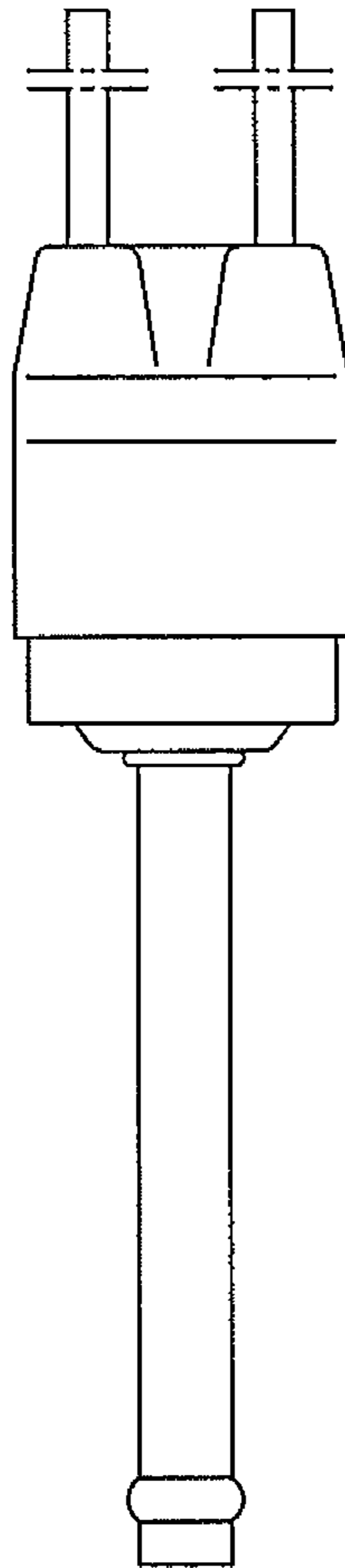


FIGURE 1

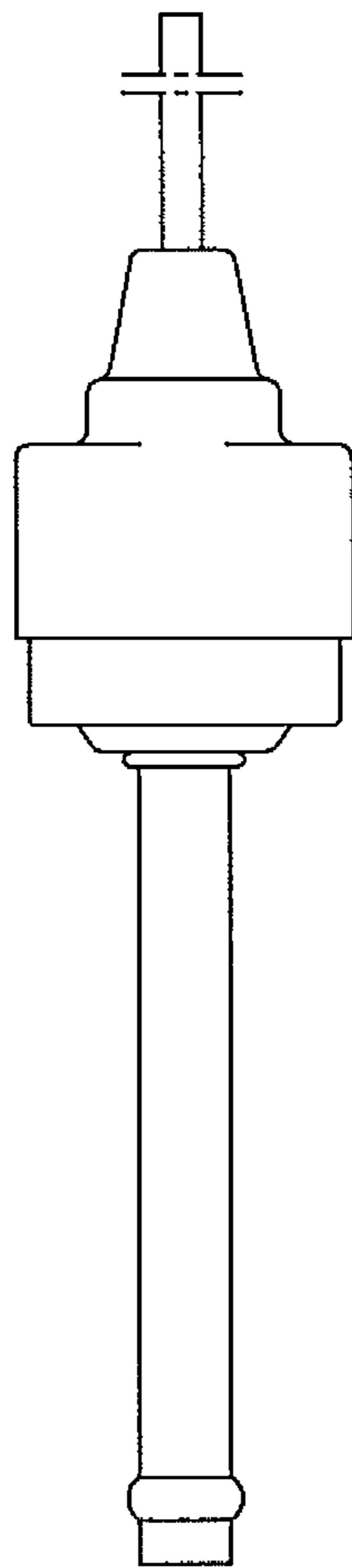


FIGURE 2

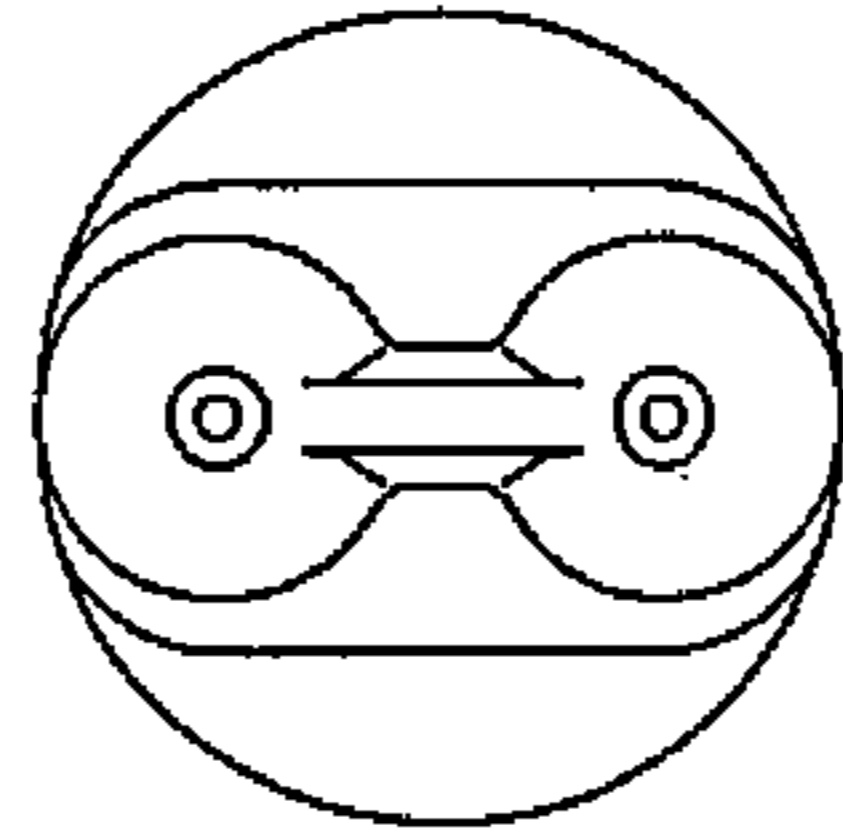


FIGURE 3

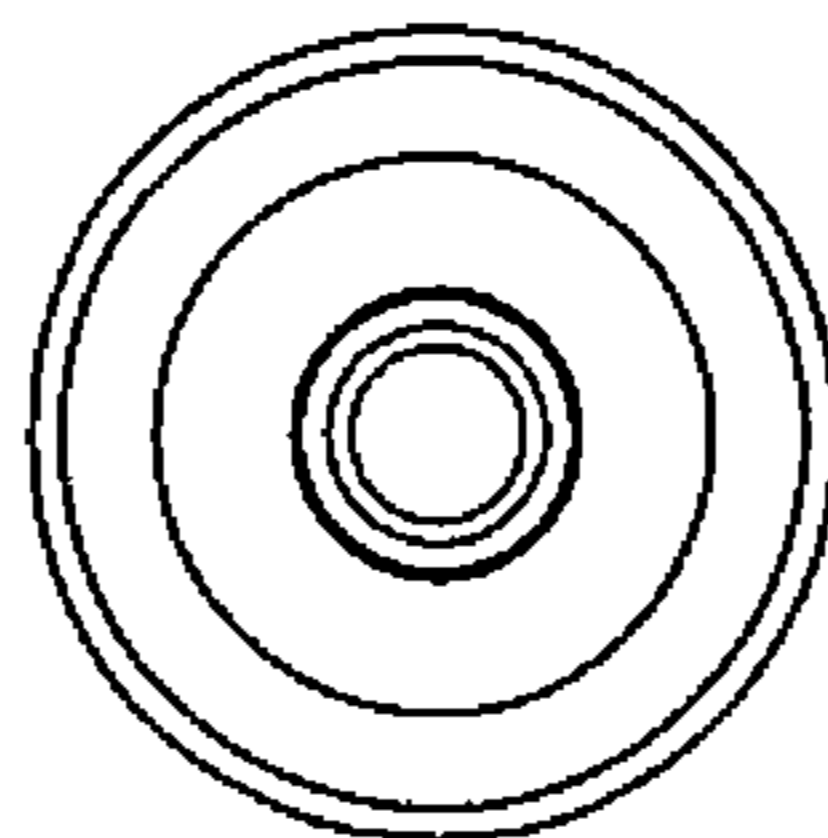


FIGURE 4

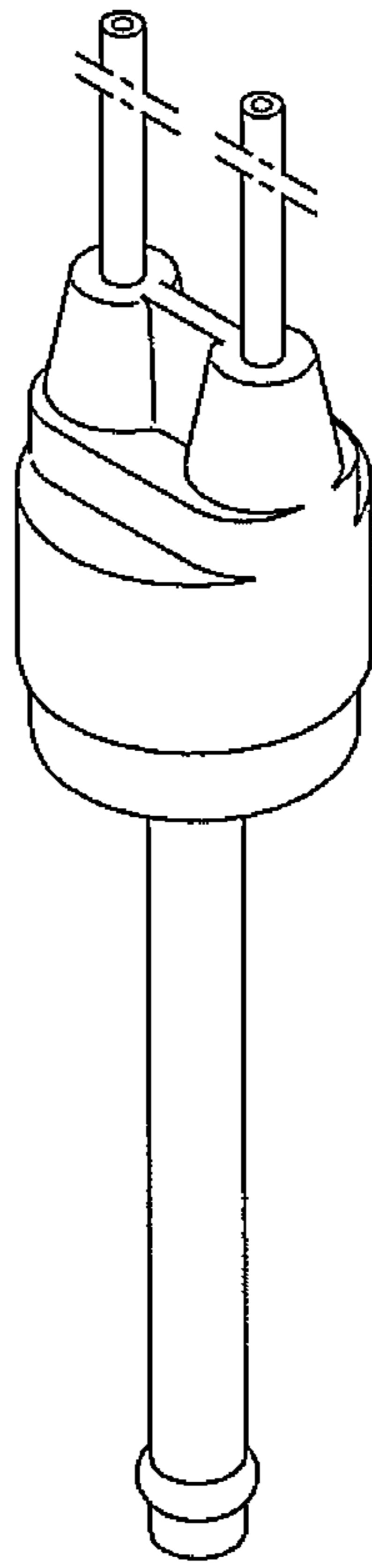


FIGURE 5