



US00D737702S

(12) **United States Design Patent**
Selberg et al.

(10) **Patent No.:** **US D737,702 S**
(45) **Date of Patent:** **** Sep. 1, 2015**

(54) **CELL COUNTER**

- (71) Applicant: **LIFE TECHNOLOGIES CORPORATION**, Carlsbad, CA (US)
- (72) Inventors: **Saul Selberg**, Eugene, OR (US); **Sandro Klein**, Irvine, CA (US); **Kyle Curts**, Bellevue, WA (US); **Joseph Lee**, San Diego, CA (US); **Lance Hussey**, Thousand Oaks, CA (US); **Shushuo Wu**, Thousand Oaks, CA (US)
- (73) Assignee: **Life Technologies Corporation**, Carlsbad, CA (US)
- (**) Term: **14 Years**
- (21) Appl. No.: **29/496,665**
- (22) Filed: **Jul. 16, 2014**
- (51) **LOC (10) Cl.** **10-04**
- (52) **U.S. Cl.**
USPC **D10/81**; D10/97; D24/216; D24/232
- (58) **Field of Classification Search**
USPC D10/81, 97; D24/107, 169, 185, 186, D24/216, 231-234
CPC G01F 1/00-1/90; G01F 3/00-3/38; G01F 5/00-5/005; G01F 7/00-7/005; G01F 9/00-9/026; G01F 11/00-11/46; G01F 13/00-13/008; G01F 15/00-15/185; G01F 17/00; G01F 19/00
See application file for complete search history.

(56) **References Cited**

U.S. PATENT DOCUMENTS

- D655,421 S * 3/2012 Lee et al. D24/216
- D680,657 S * 4/2013 Lee et al. D24/216

(Continued)

Primary Examiner — Antoine D Davis

(74) *Attorney, Agent, or Firm* — Life Technologies Corporation

(57) **CLAIM**

The ornamental design for a cell counter, as shown and described.

DESCRIPTION

FIG. 1 is a front, top perspective view of a first embodiment of a cell counter of our new design.

FIG. 2 is a front view of a first embodiment of a cell counter of our new design.

FIG. 3 is a rear view of a first embodiment of a cell counter of our new design.

FIG. 4 is a right side view of a first embodiment of a cell counter of our new design.

FIG. 5 is a left side view of a first embodiment of a cell counter of our new design.

FIG. 6 is a top view of a first embodiment of a cell counter of our new design.

FIG. 7 is a bottom view of a first embodiment of a cell counter of our new design.

FIG. 8 is a front, top perspective view of a second embodiment of a cell counter of our new design.

FIG. 9 is a front view of a second embodiment of a cell counter of our new design.

FIG. 10 is a rear view of a second embodiment of a cell counter of our new design.

FIG. 11 is a right side view of a second embodiment of a cell counter of our new design.

FIG. 12 is a left side view of a second embodiment of a cell counter of our new design.

FIG. 13 is a top view of a second embodiment of a cell counter of our new design.

FIG. 14 is a bottom view of a second embodiment of a cell counter of our new design.

FIG. 15 is a front, top perspective view of a third embodiment of a cell counter of our new design.

FIG. 16 is a front view of a third embodiment of a cell counter of our new design.

FIG. 17 is a rear view of a third embodiment of a cell counter of our new design.

FIG. 18 is a right side view of a third embodiment of a cell counter of our new design.

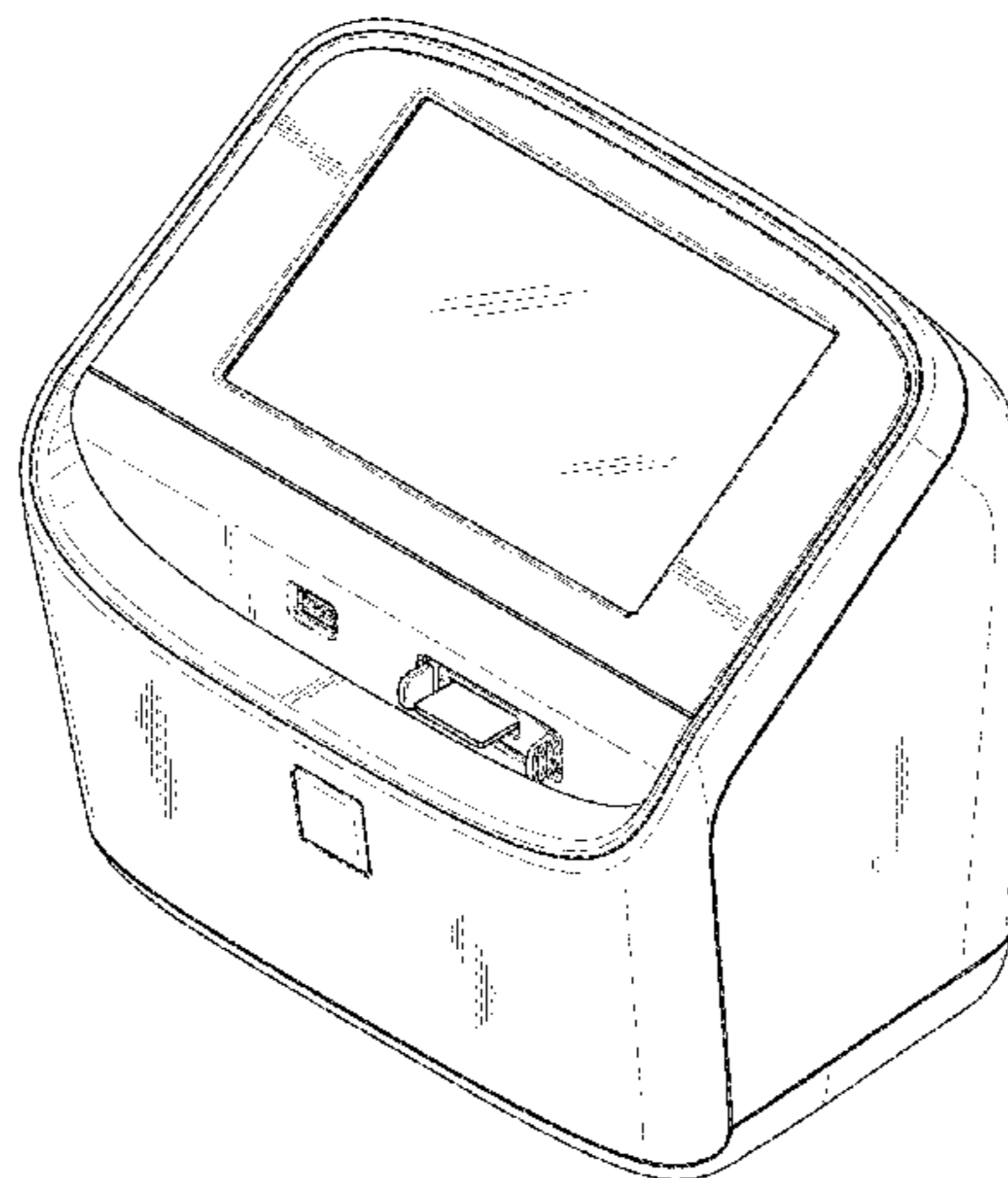
FIG. 19 is a left side view of a third embodiment of a cell counter of our new design.

FIG. 20 is a top view of a third embodiment of a cell counter of our new design; and,

FIG. 21 is a bottom view of a third embodiment of a cell counter of our new design.

The portions of the features depicted in broken lines are not part of the claimed design.

1 Claim, 21 Drawing Sheets



(56)

References Cited

U.S. PATENT DOCUMENTS

| | | | | | | | |
|------------------|---------|--------------------|---------|------------------|---------|----------------------|----------|
| D716,162 S * | 10/2014 | Kura et al. | D10/81 | 2002/0150510 A1* | 10/2002 | Lihl et al. | 422/99 |
| D722,515 S * | 2/2015 | Zock | D10/81 | 2008/0159915 A1* | 7/2008 | Yu et al. | 422/68.1 |
| D728,125 S * | 4/2015 | Trigg et al. | D24/232 | 2008/0194034 A1* | 8/2008 | Erickson et al. | 436/43 |
| 2001/0053336 A1* | 12/2001 | Hammer et al. | 422/72 | 2011/0269239 A1* | 11/2011 | Diessel et al. | 436/43 |
| | | | | 2014/0295450 A1* | 10/2014 | Morita et al. | 435/6.14 |

* cited by examiner

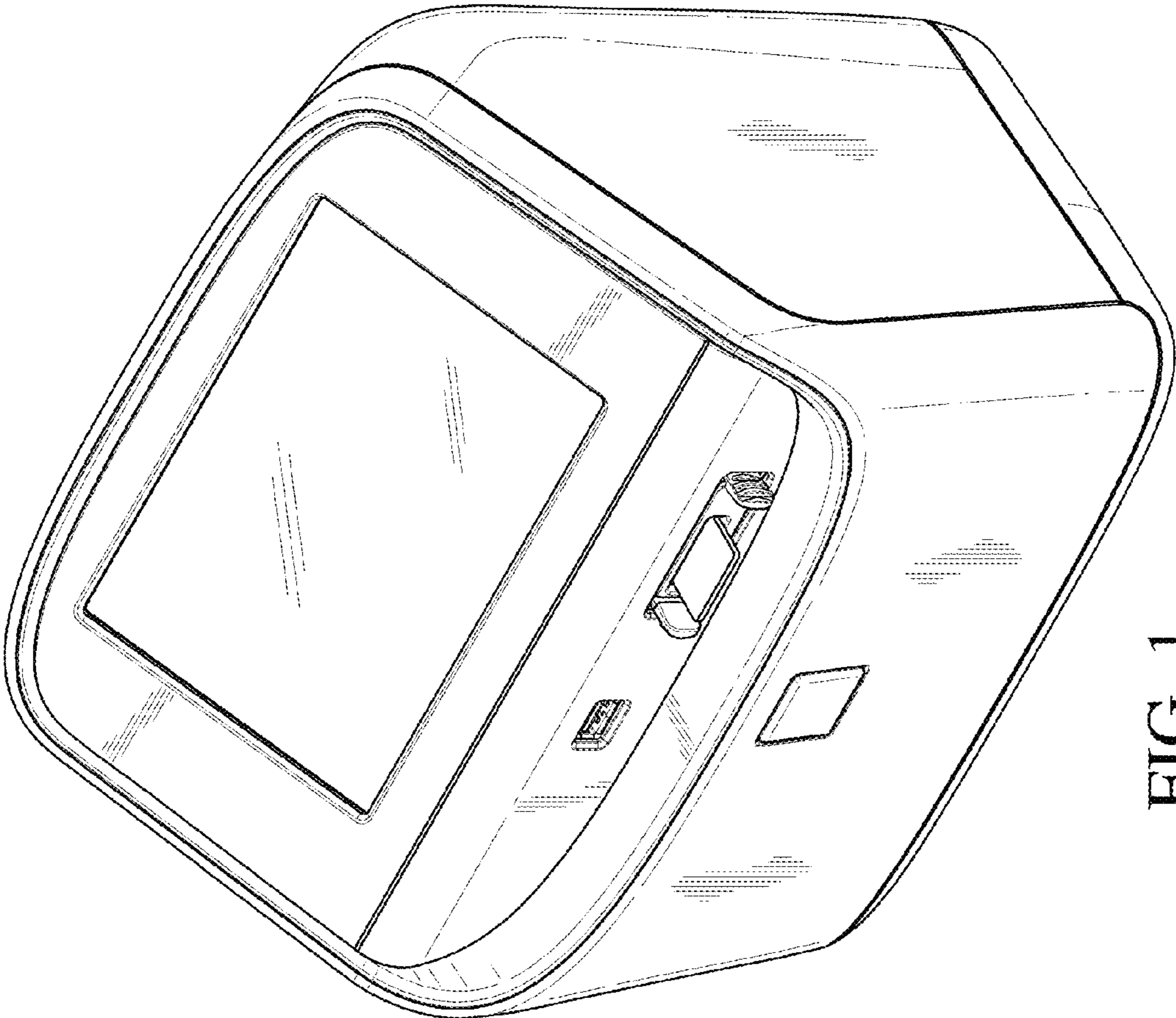


FIG. 1

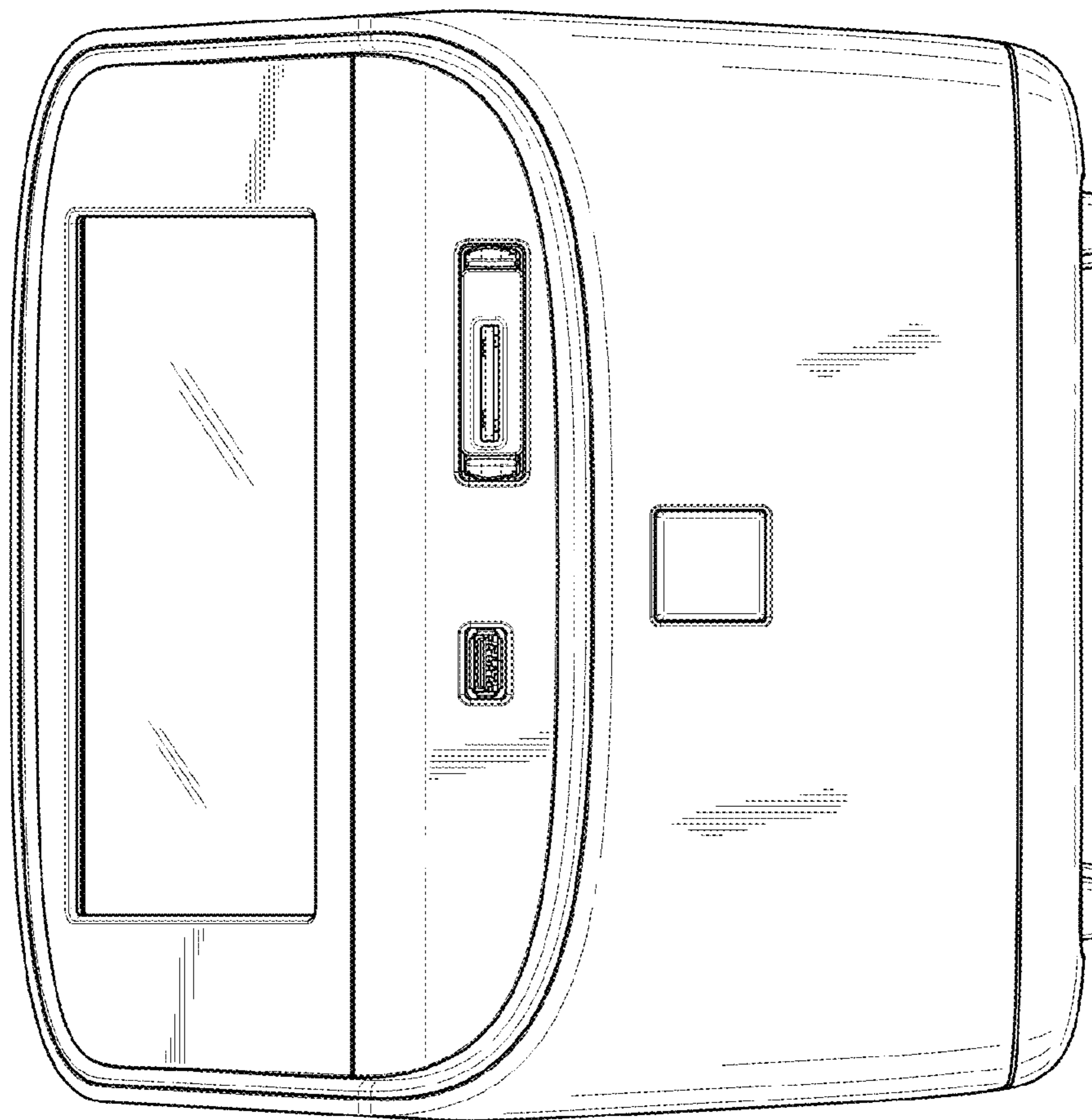


FIG. 2

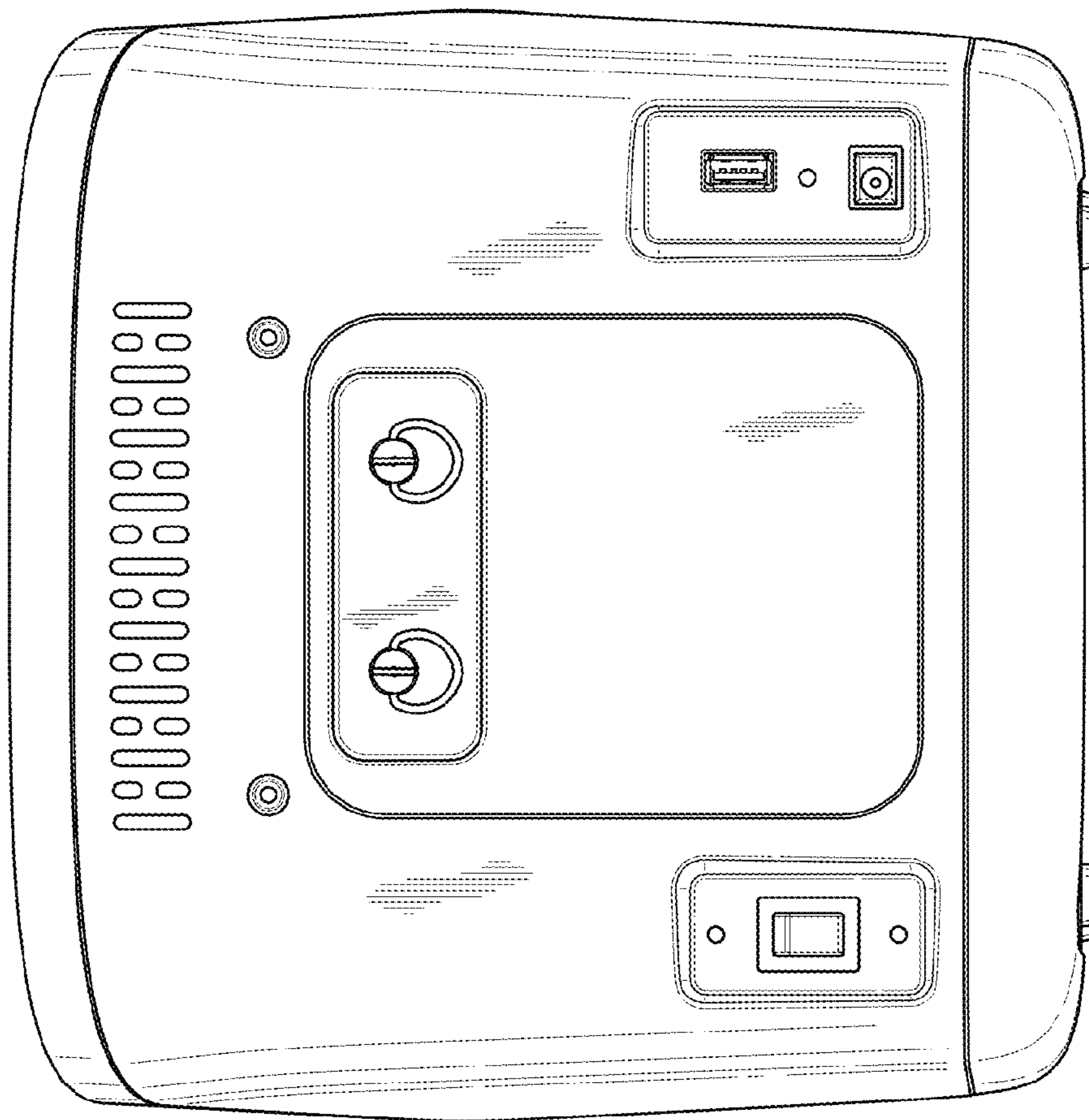


FIG. 3

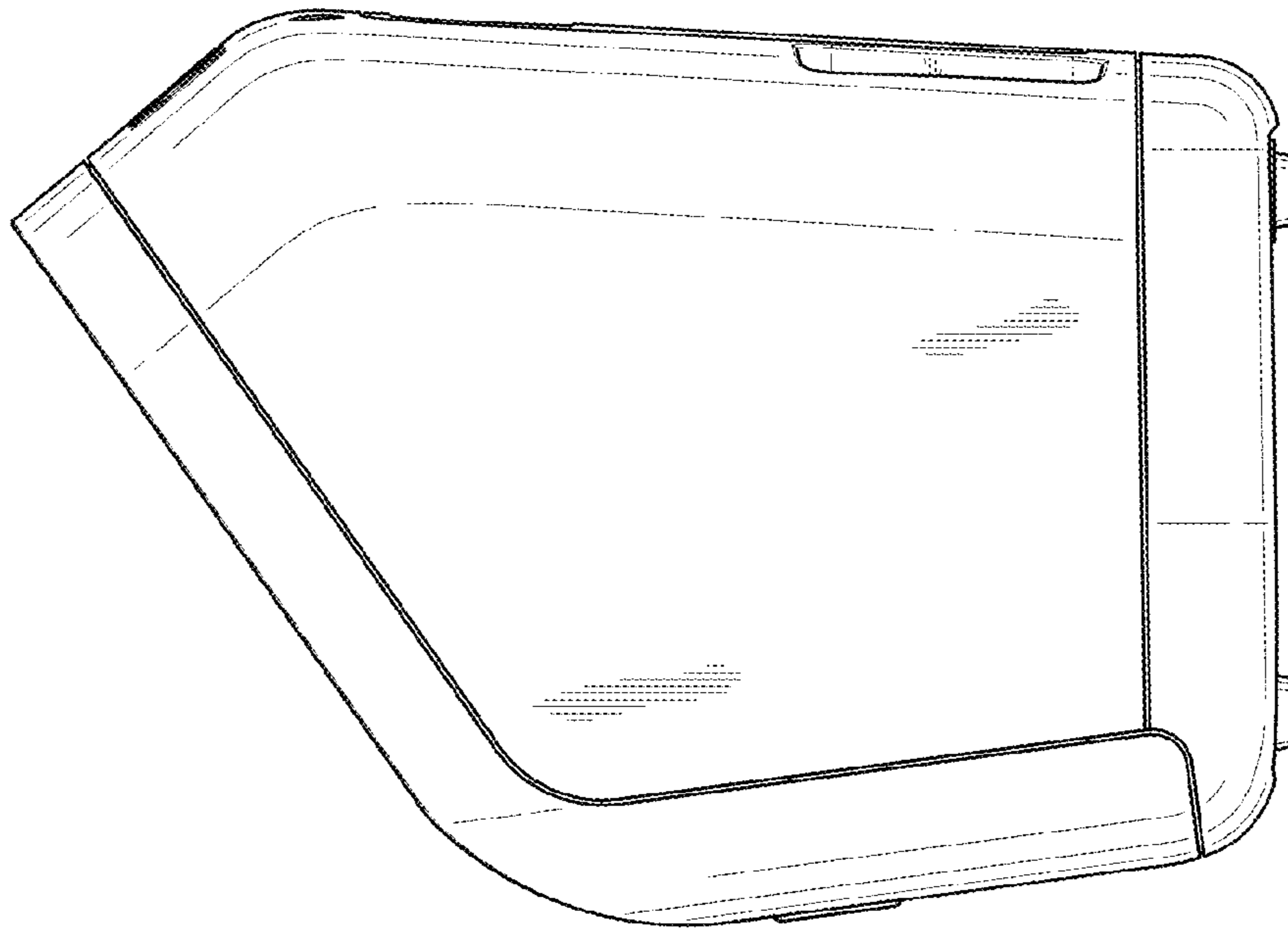


FIG. 4

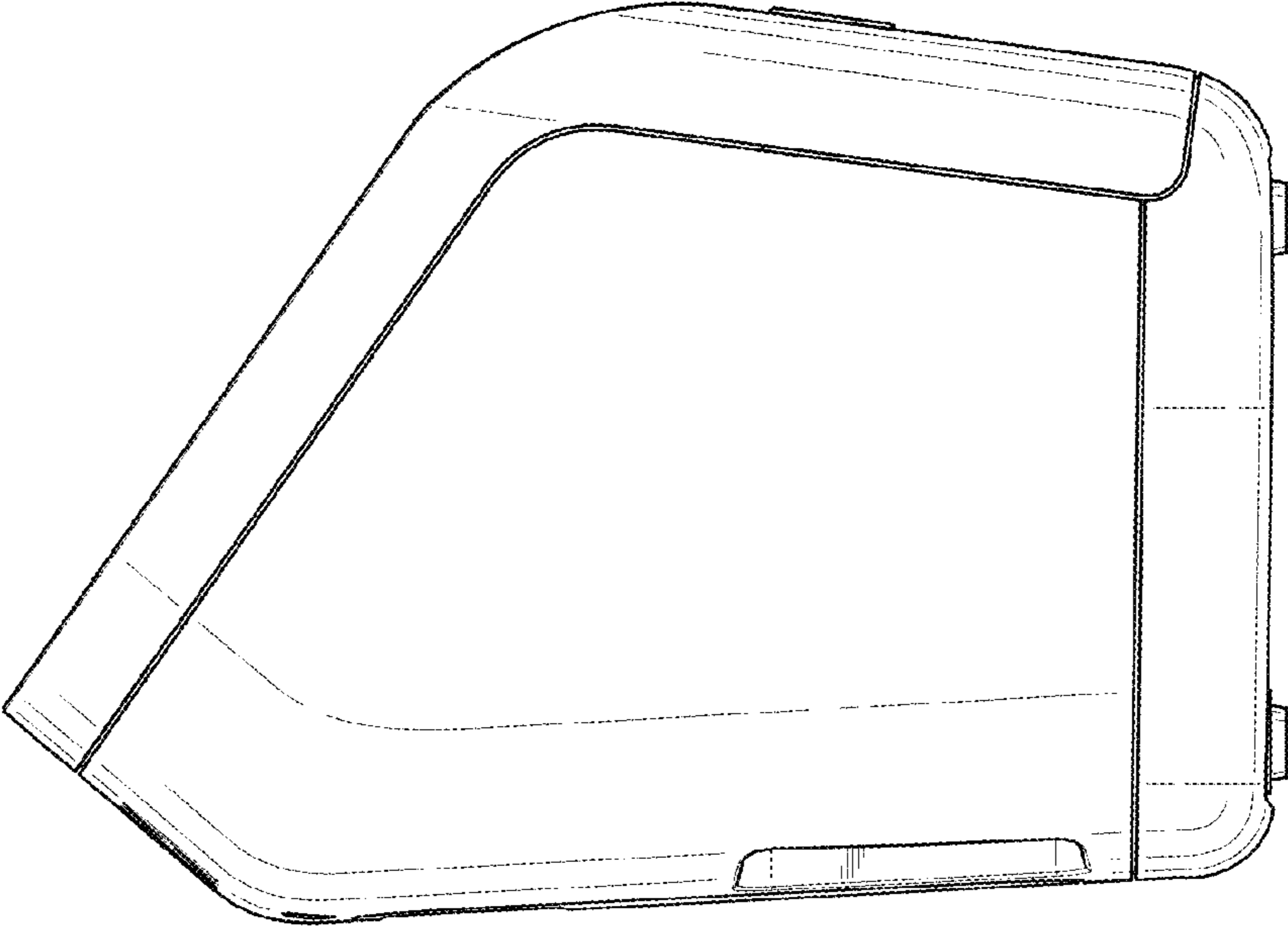


FIG. 5

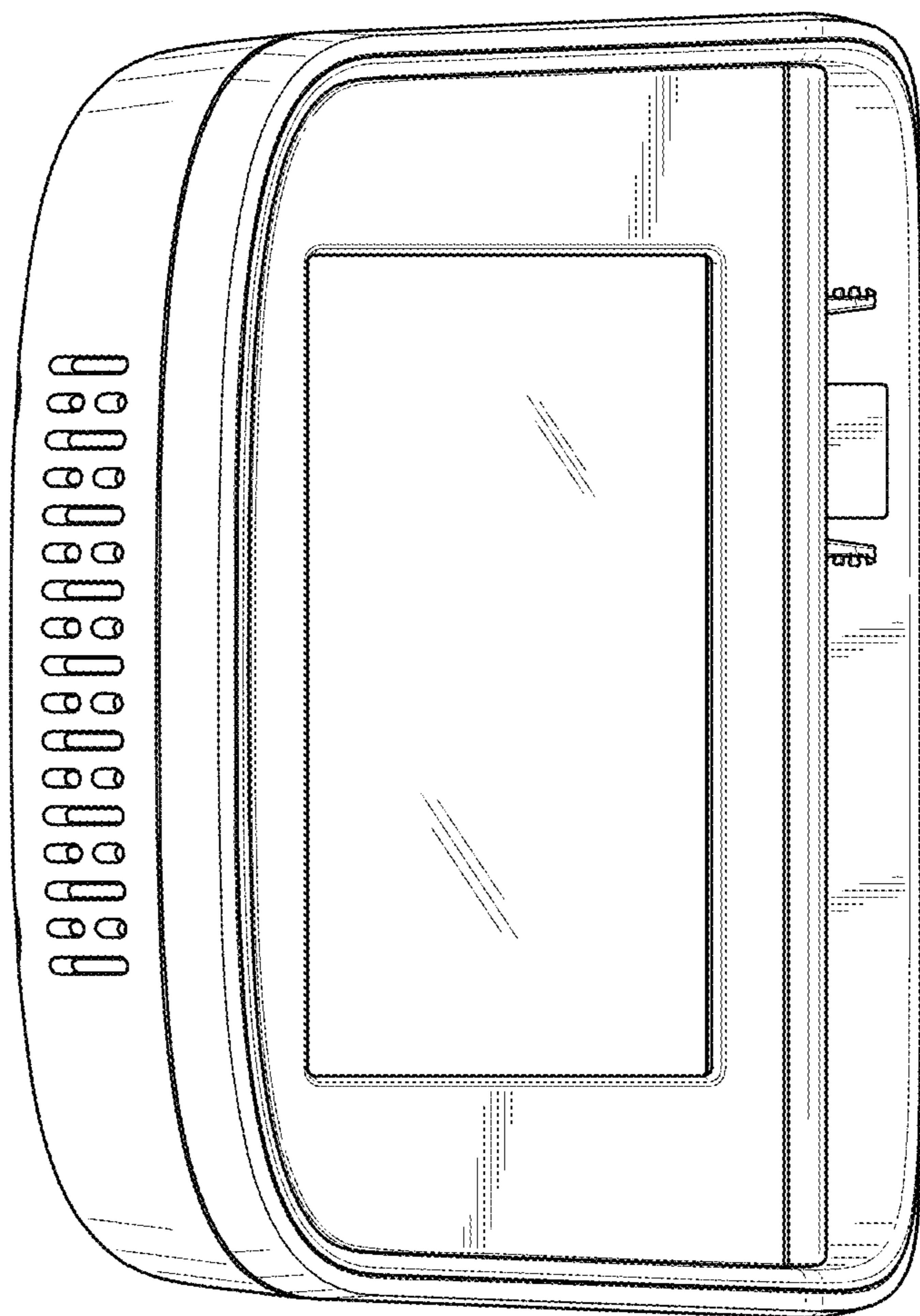


FIG. 6

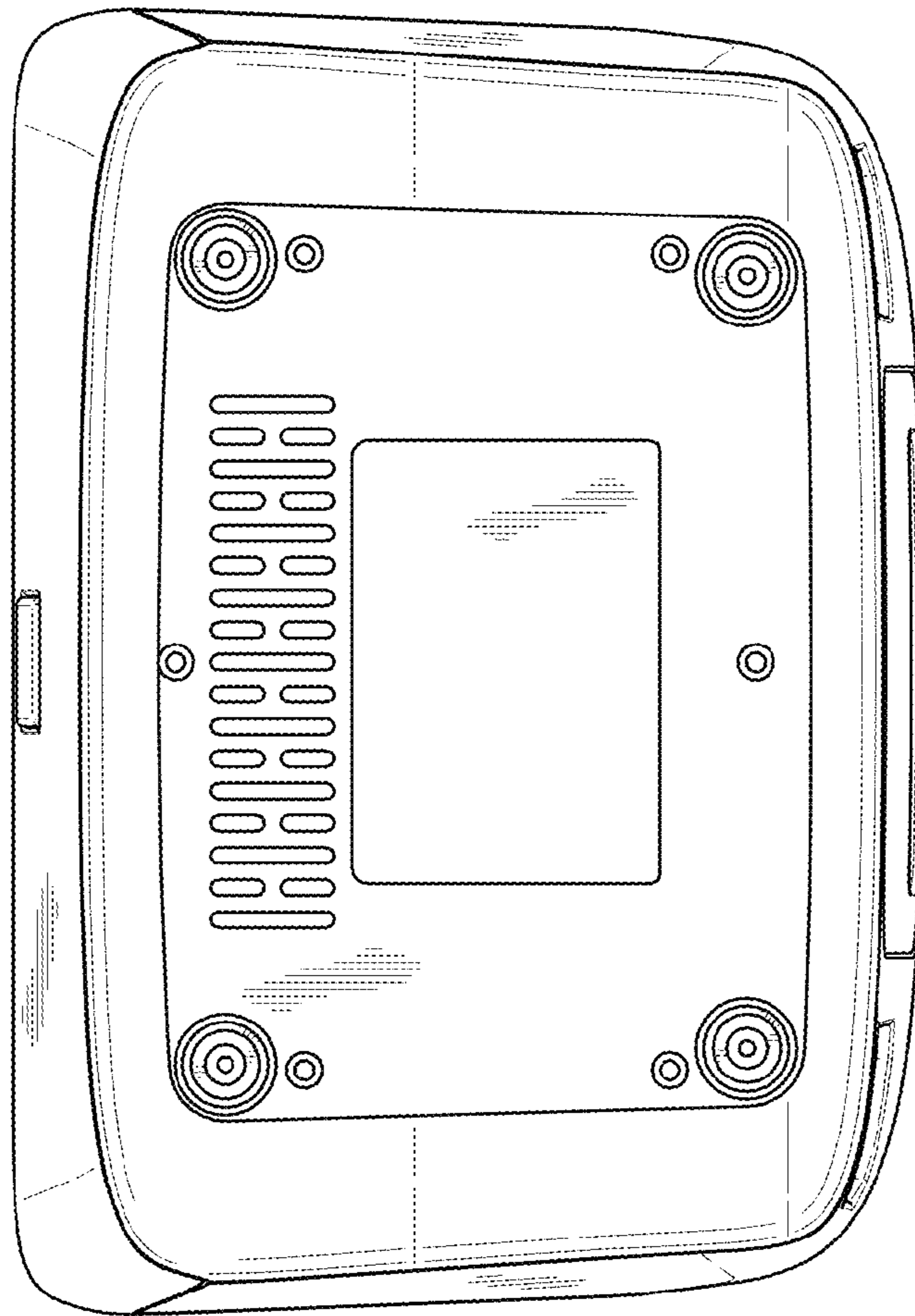


FIG. 7

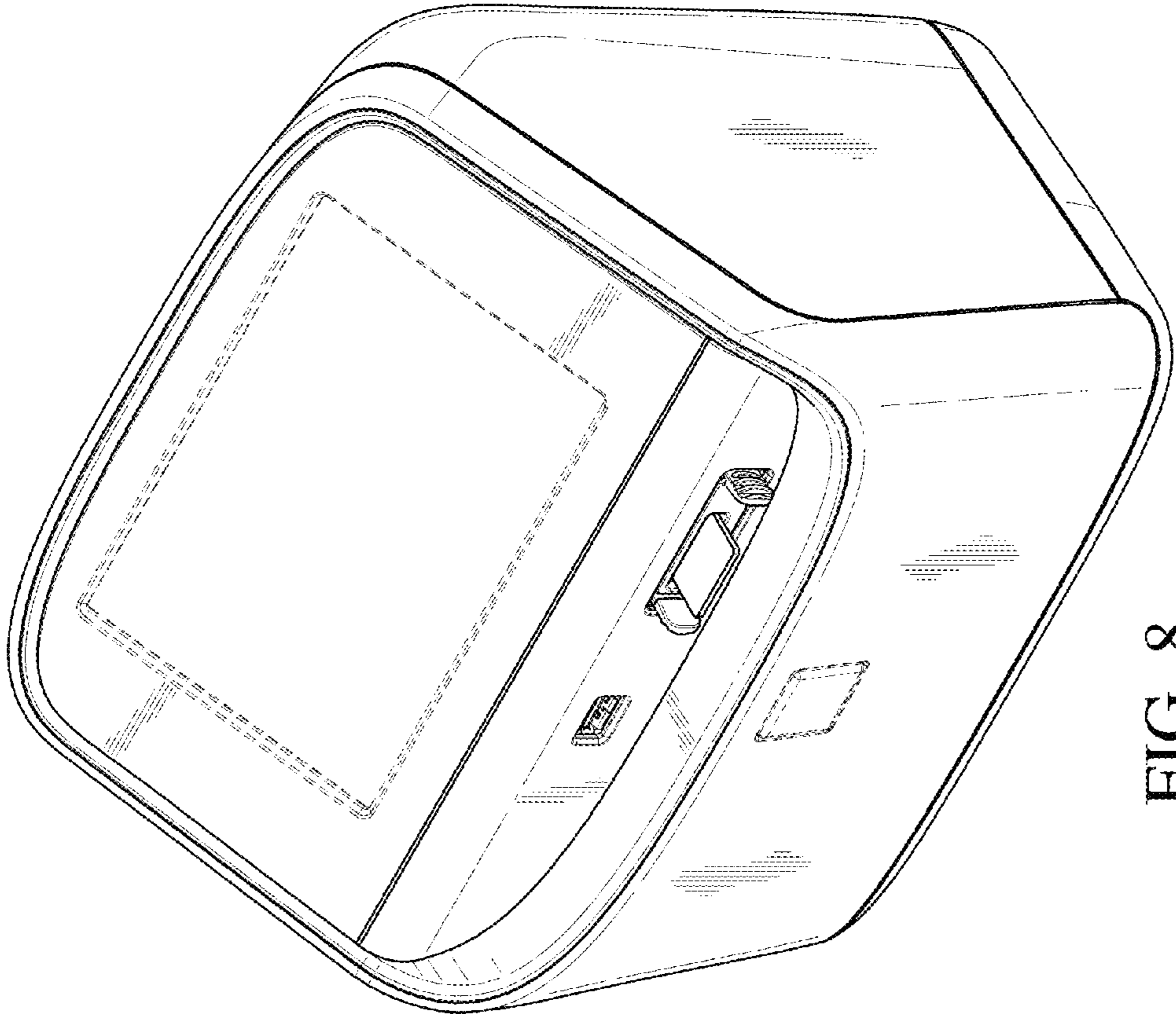


FIG. 8

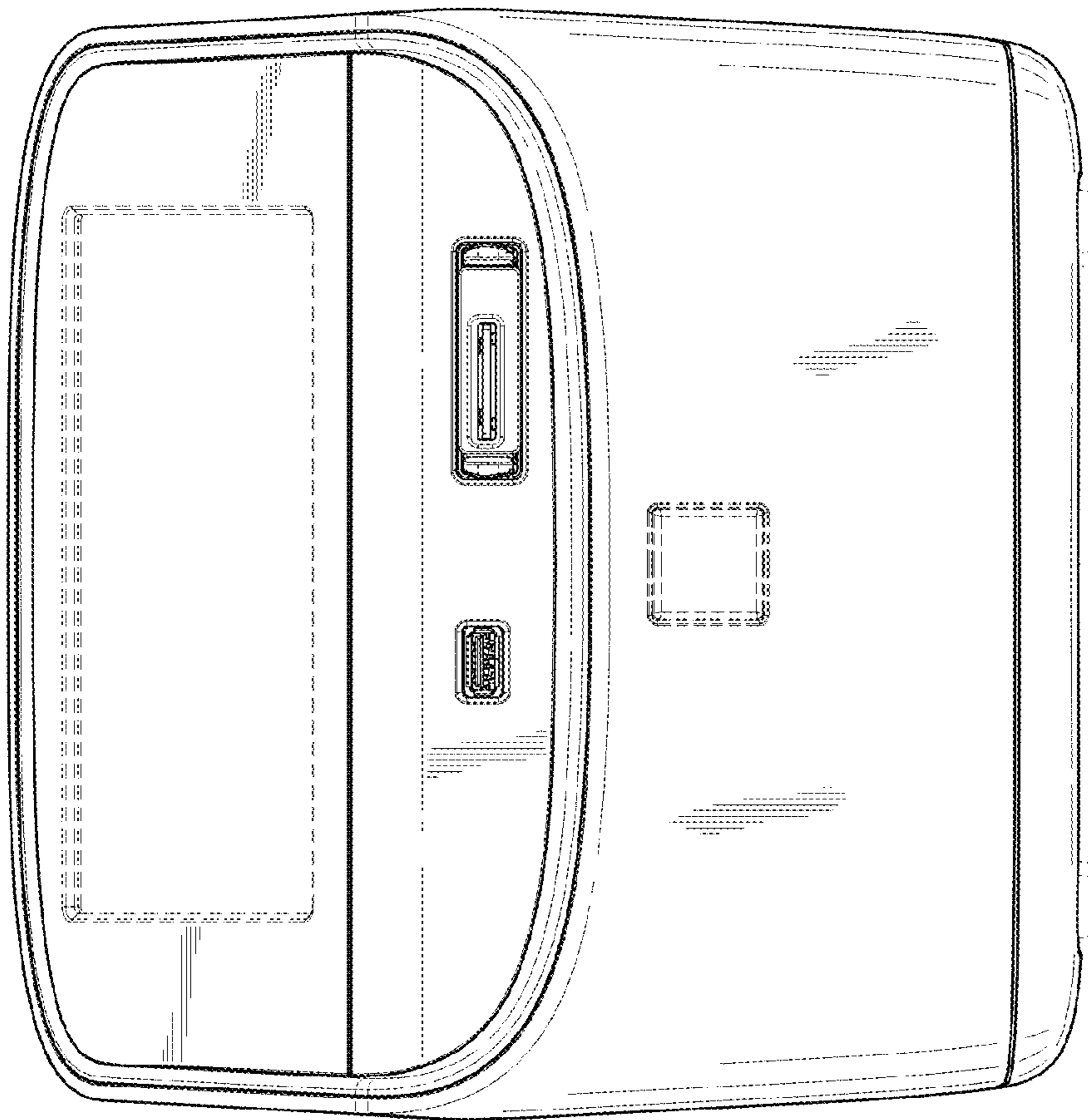


FIG. 9

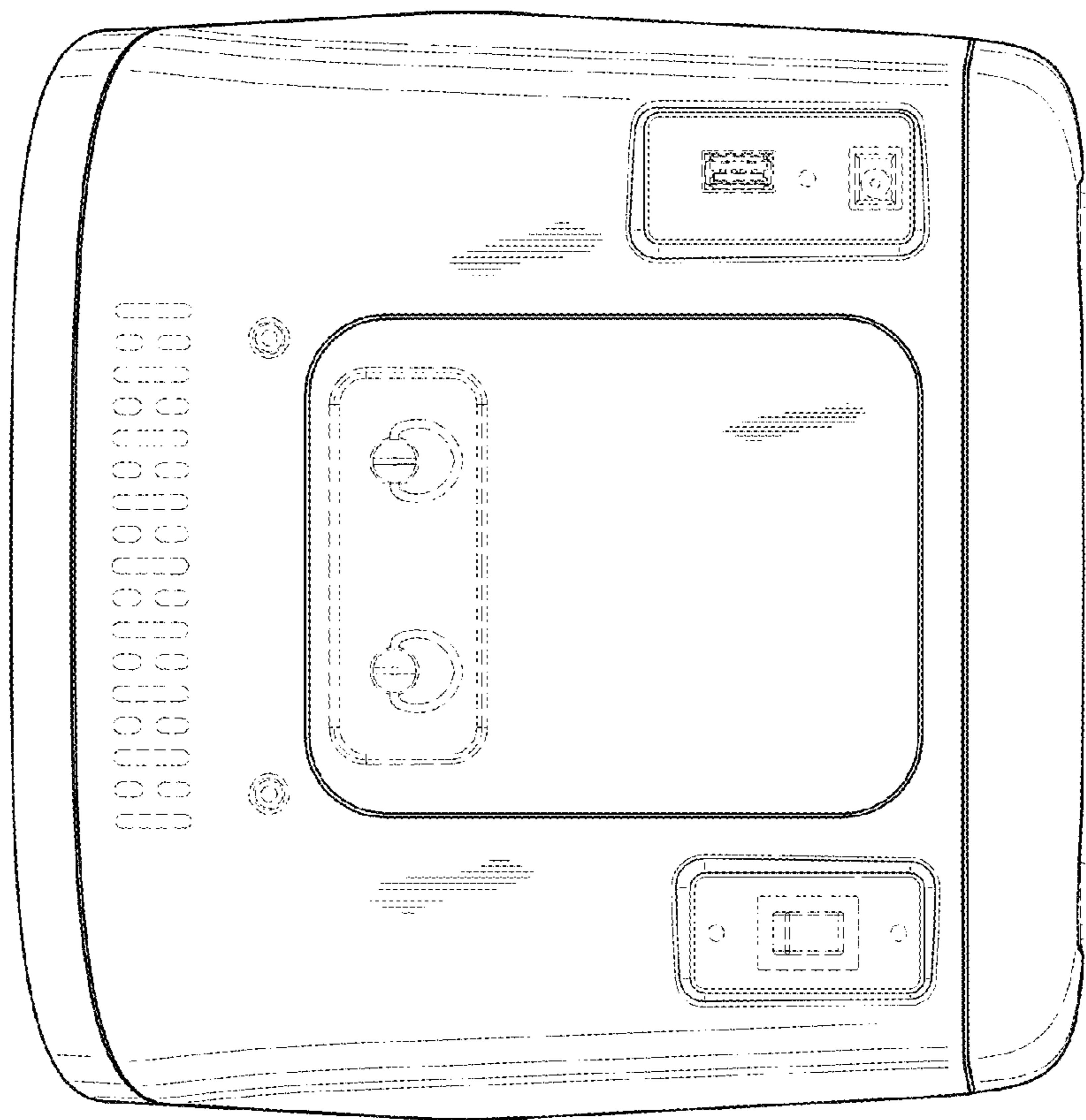


FIG. 10

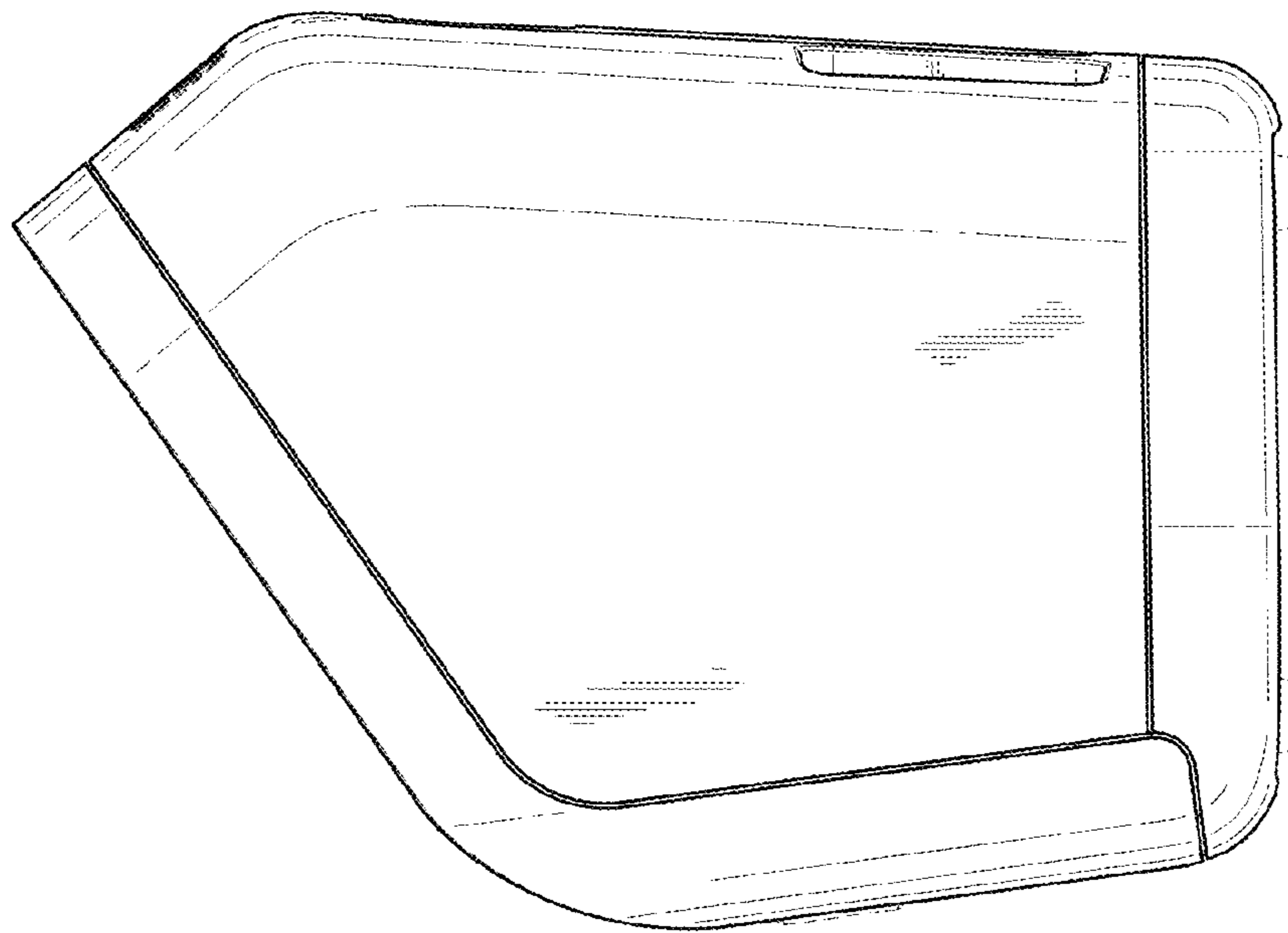


FIG. 11

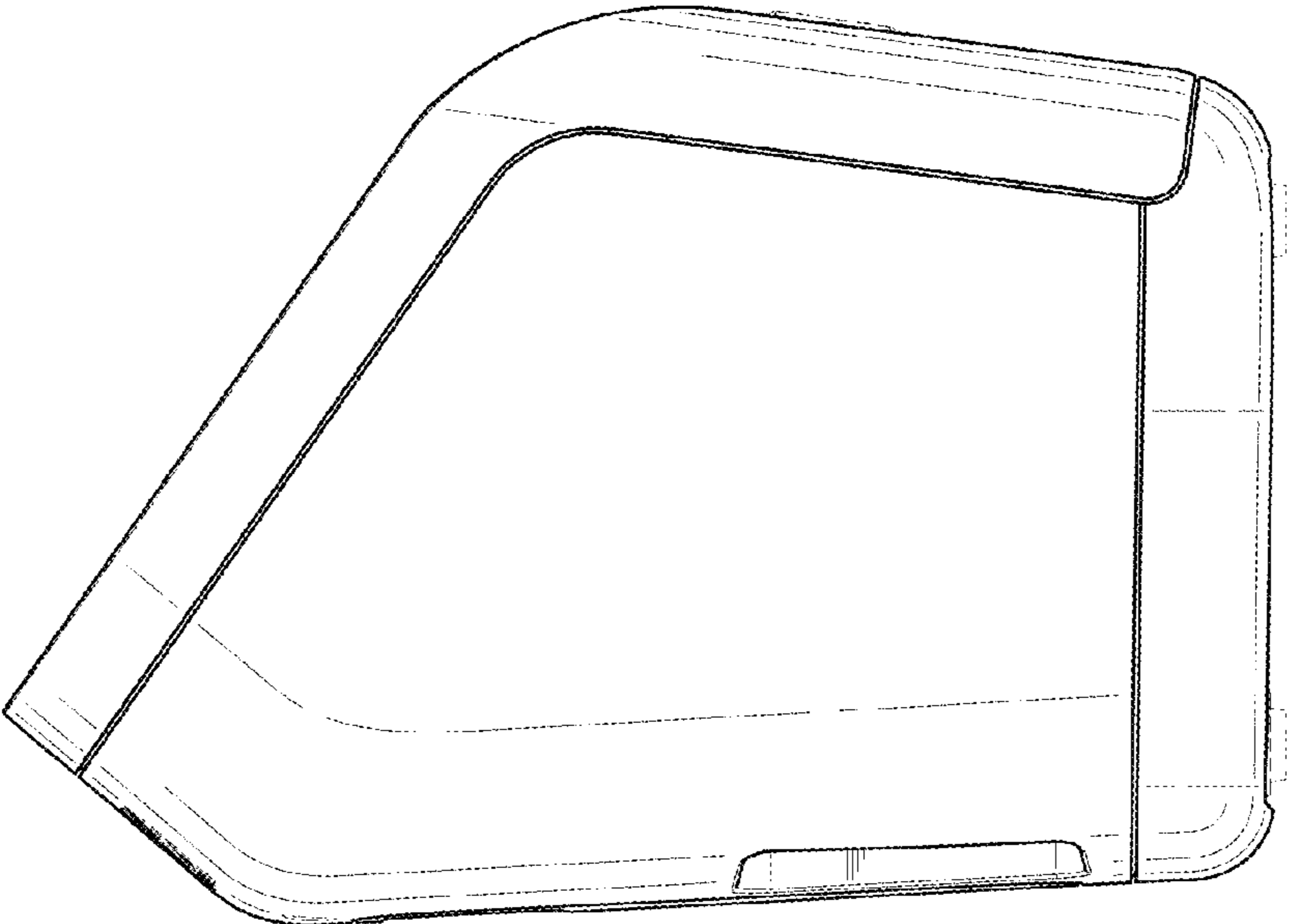


FIG. 12

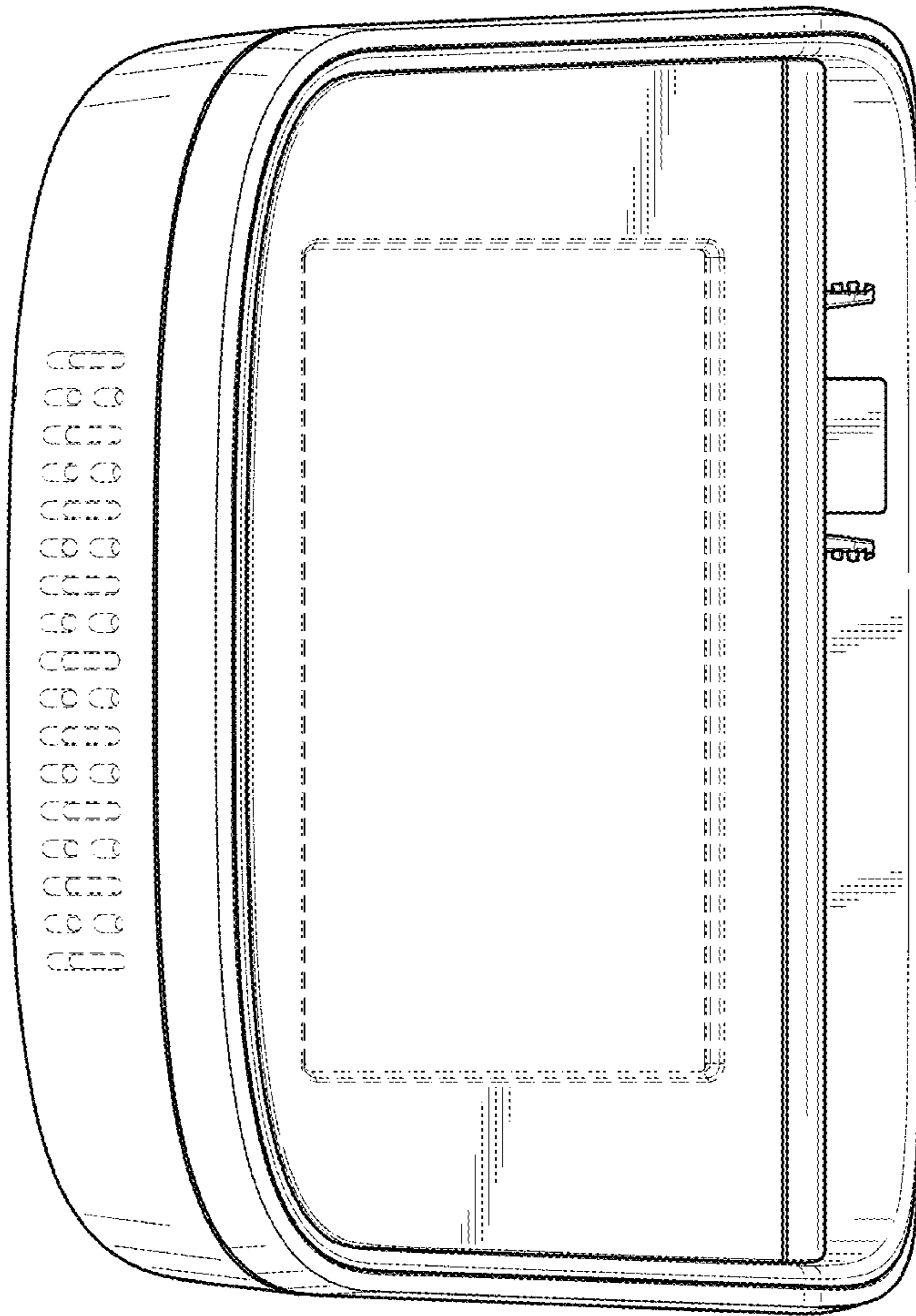


FIG. 13

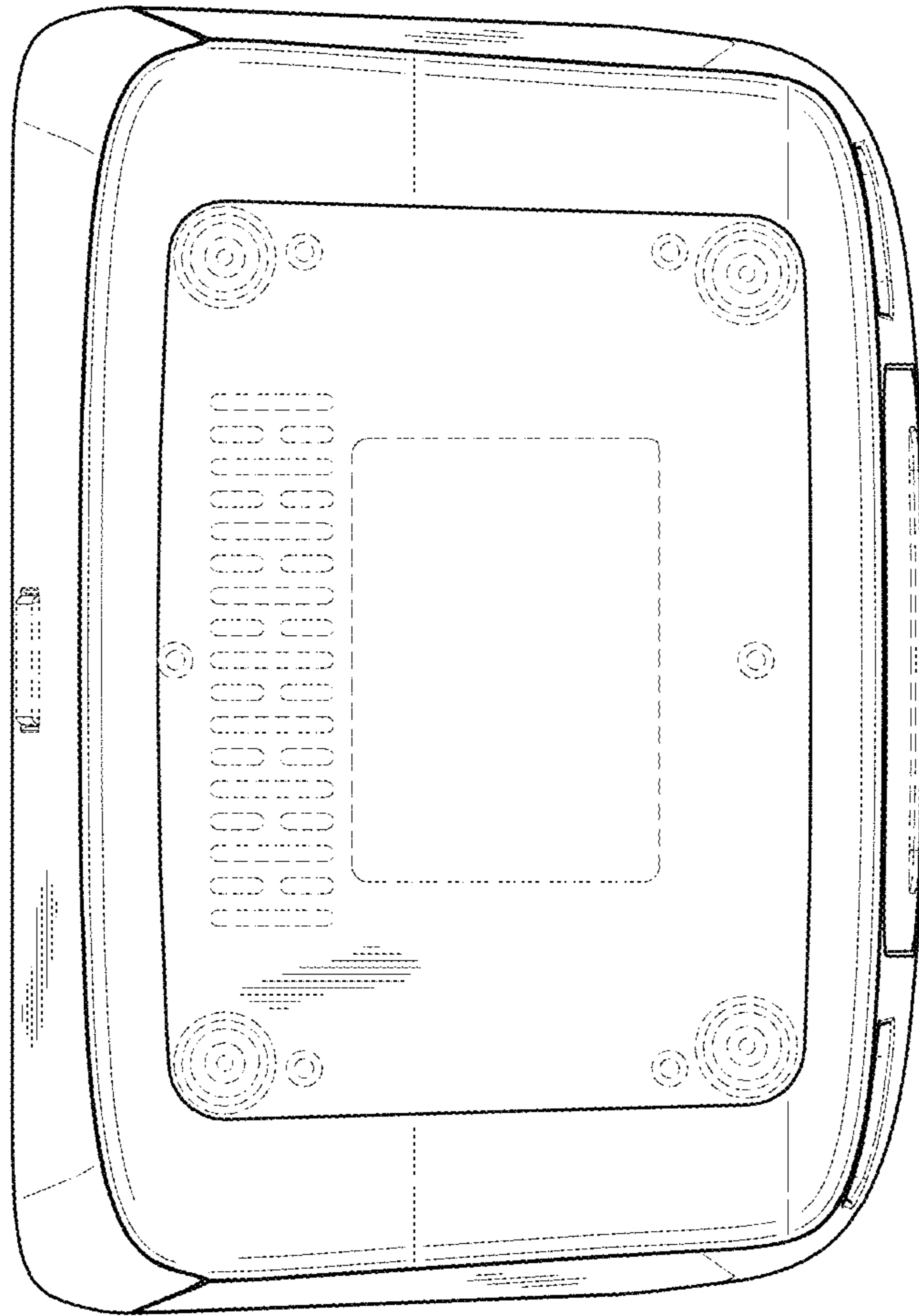


FIG. 14

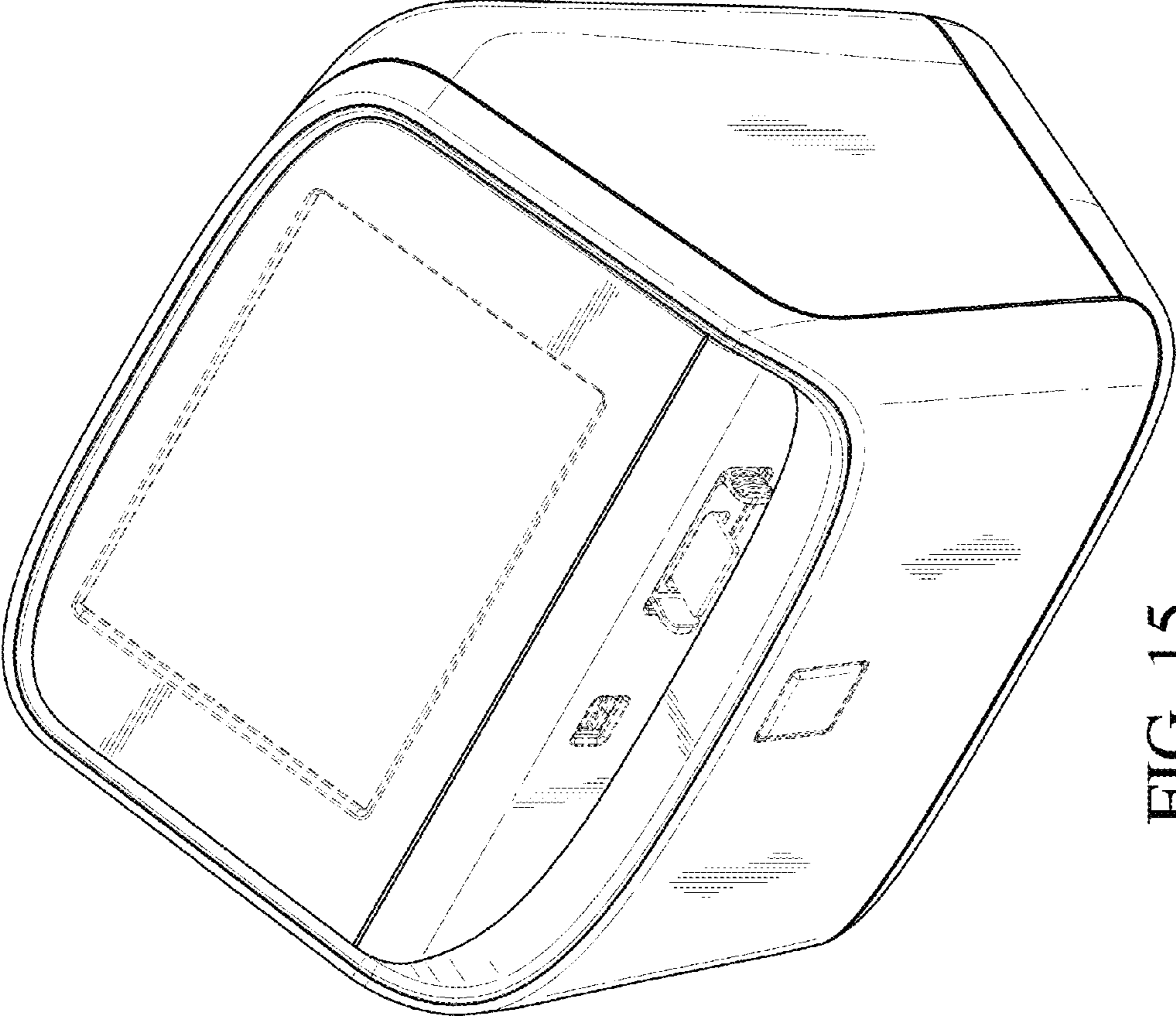


FIG. 15

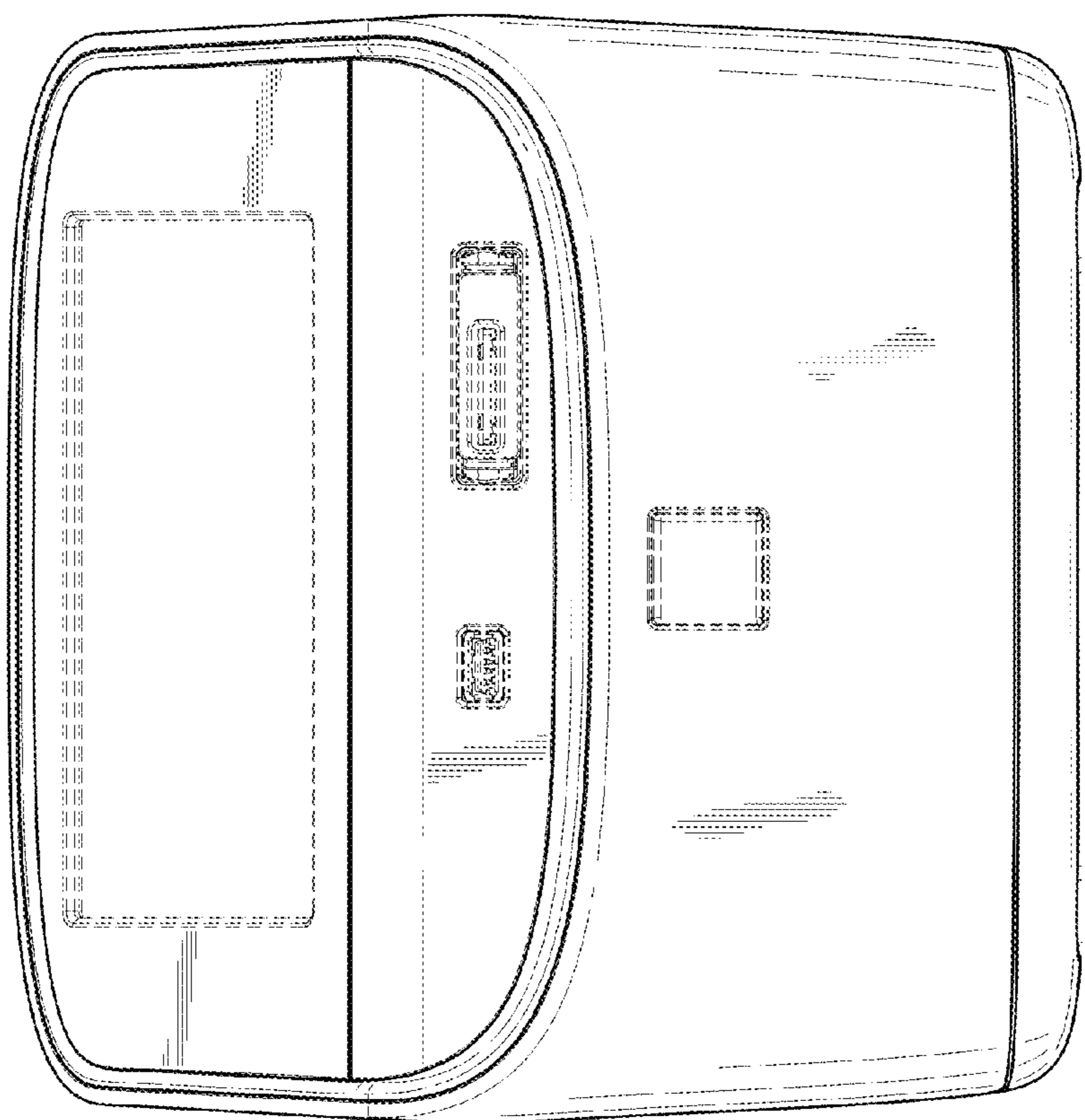


FIG. 16

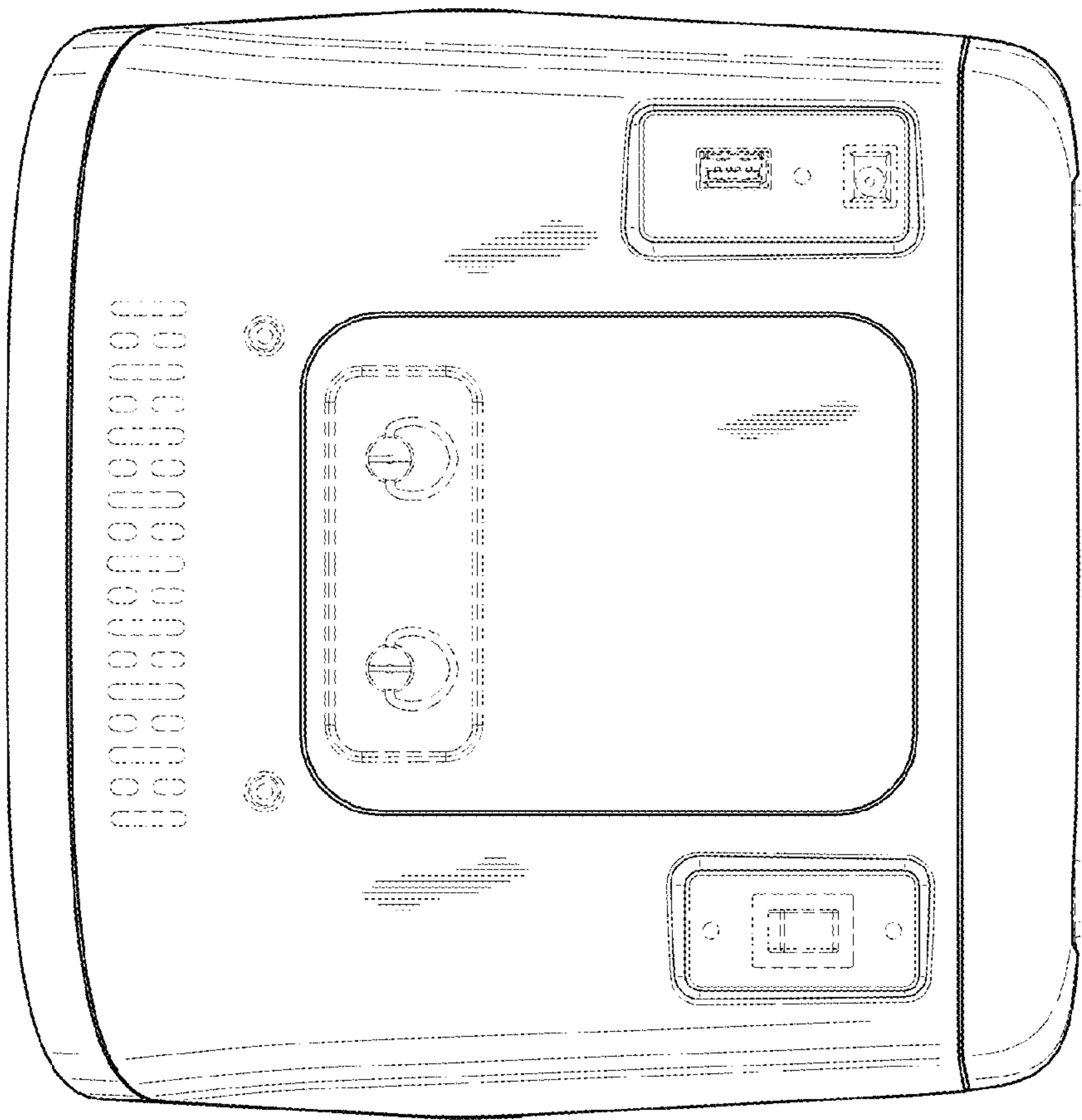


FIG. 17

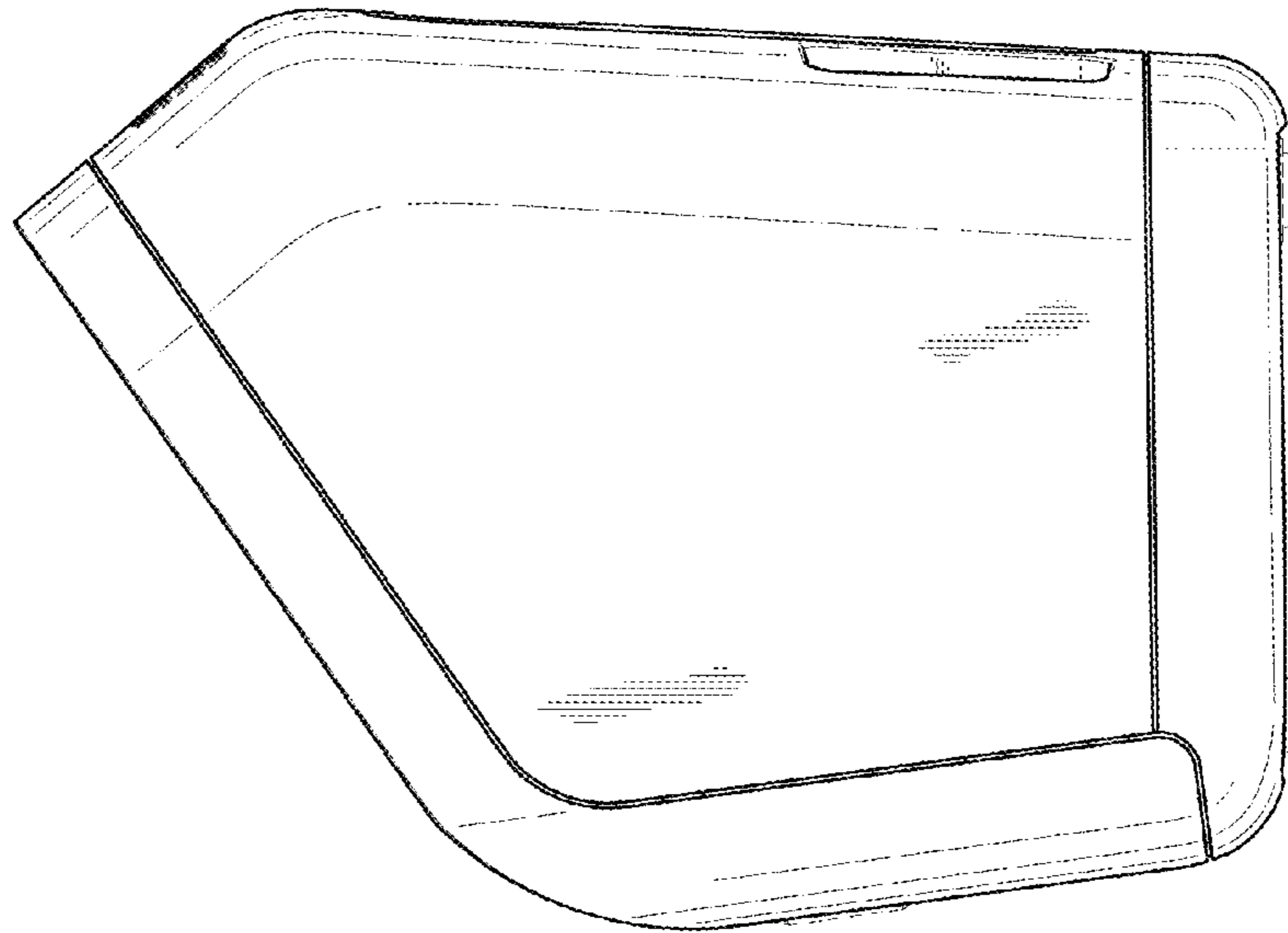


FIG. 18

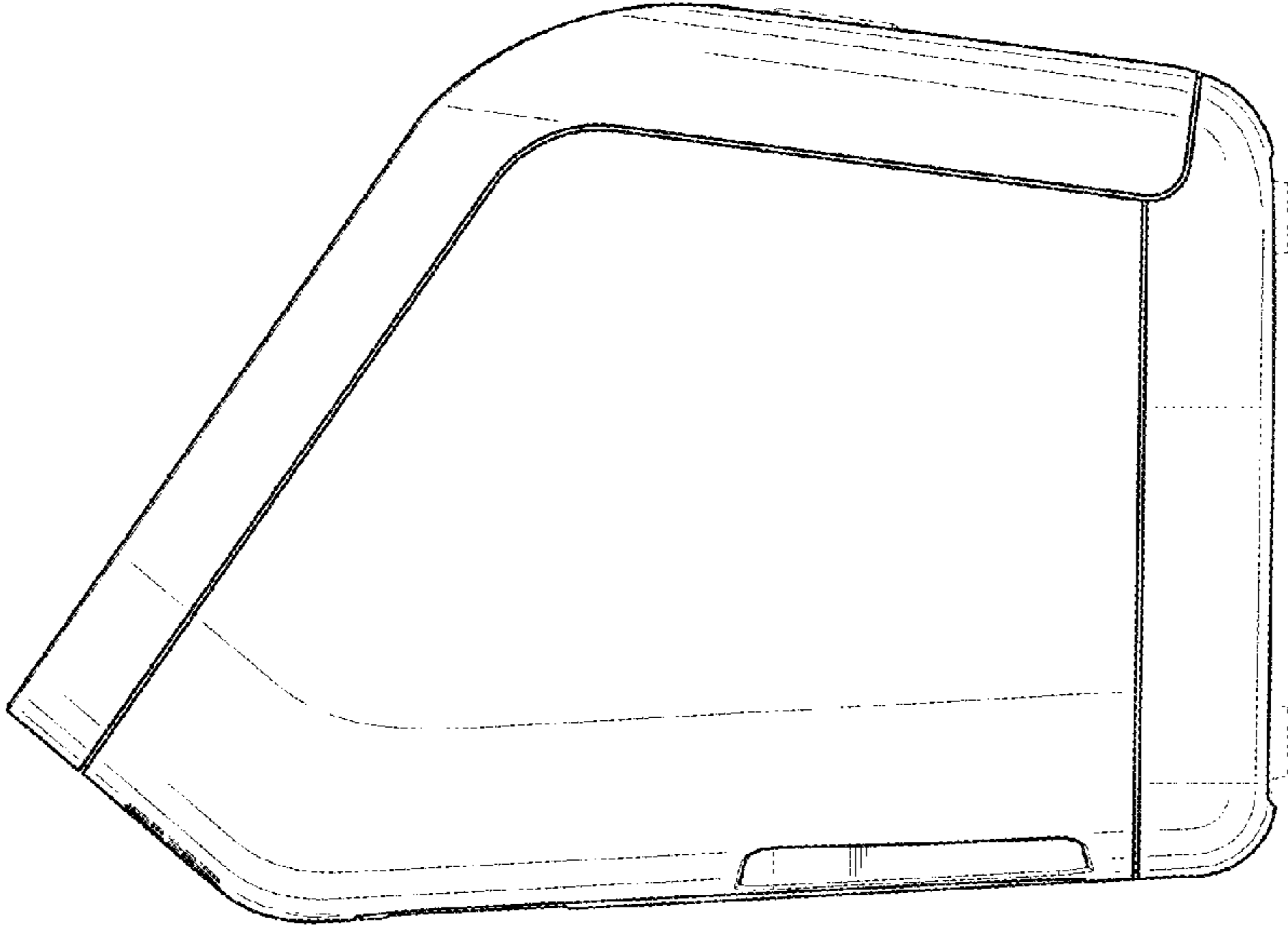


FIG. 19

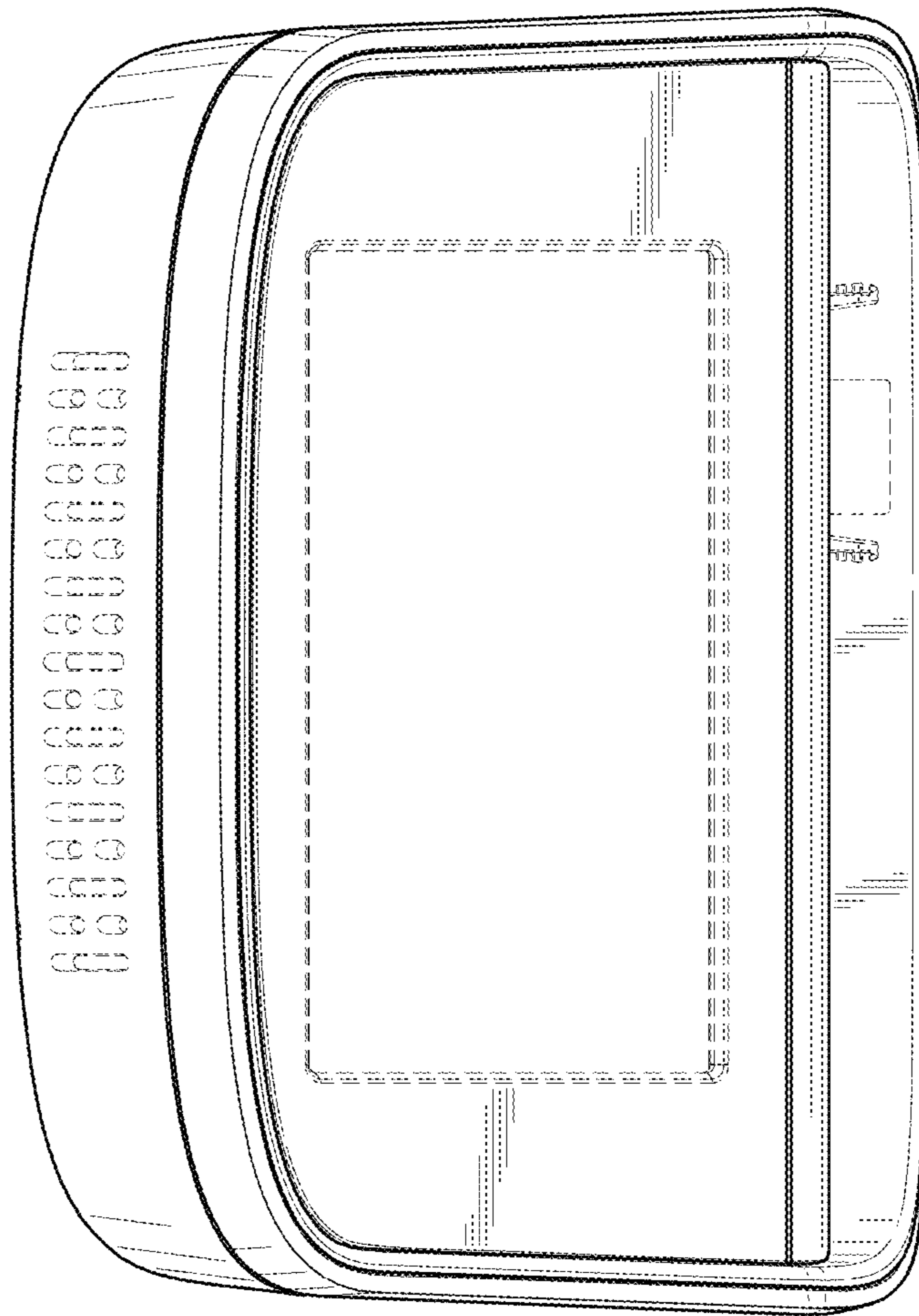


FIG. 20

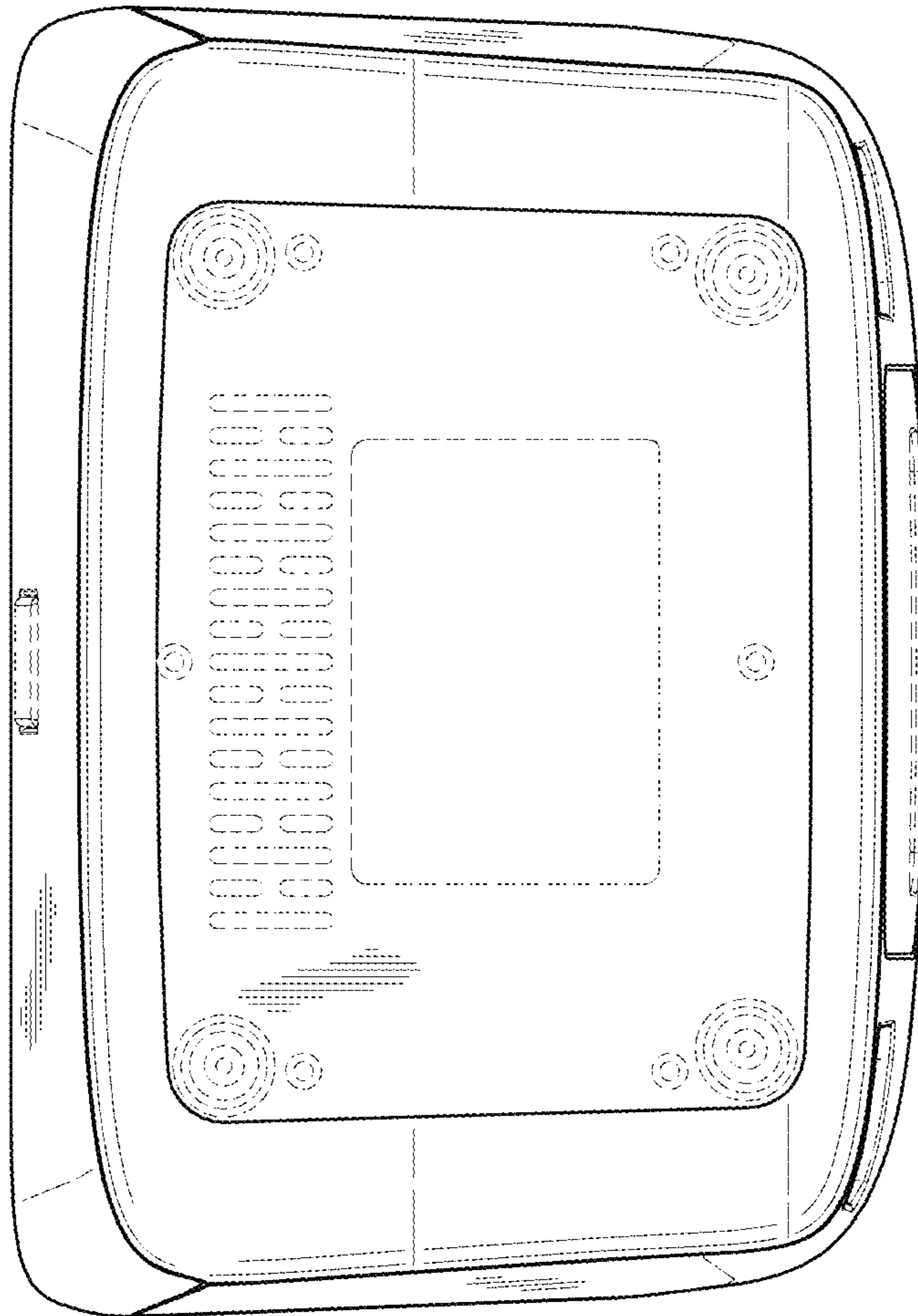


FIG. 21